



US00D810955S

(12) **United States Design Patent** (10) **Patent No.:** **US D810,955 S**
Miklavc (45) **Date of Patent:** **** Feb. 20, 2018**

- (54) **MASSAGER**
- (71) Applicant: **Relaxroll GmbH**, Küsterdingen (DE)
- (72) Inventor: **Jure Miklavc**, Skofja Loka (SI)
- (73) Assignee: **RELAXROLL GmbH**, Küsterdingen (DE)
- (**) Term: **15 Years**
- (21) Appl. No.: **29/587,437**
- (22) Filed: **Dec. 13, 2016**

Related U.S. Application Data

- (62) Division of application No. 35/500,248, filed on Sep. 15, 2015 (U.S. filing date under 35 U.S.C. 384), and having an international filing date of Sep. 15, 2015.
- (51) **LOC (11) Cl.** **28-03**
- (52) **U.S. Cl.**
USPC **D24/215**
- (58) **Field of Classification Search**
USPC D24/133, 141, 144, 200, 215; D23/370, D23/332, 328; D26/37, 46, 49; D3/1, 4
CPC A61H 2203/03; A61H 2205/067; A61H 2205/12; A61H 23/02; A61H 39/04; A61H 23/0263; A61H 7/003; A61H 15/0085; A61H 15/0092; A61H 2015/0064; A61H 2015/0071; A61H 2201/0165; A61H 2201/1261; A61H 2201/149; A61H 2201/1671; A61H 7/001; A61H 1/008; A61H 2015/0028
See application file for complete search history.

(56) **References Cited**

U.S. PATENT DOCUMENTS

- D32,507 S 4/1900 Meade
- D353,463 S 12/1994 Chuen

- D355,259 S 2/1995 Lie
- D407,157 S 3/1999 Malewicz
- D484,606 S 12/2003 Ahn
- D518,583 S 4/2006 Vickers et al.
- D575,889 S * 8/2008 Shiu D26/49
- D578,687 S * 10/2008 Hong D26/37
- D614,333 S * 4/2010 Schnitzer D26/37
- D636,888 S 4/2011 Nikitezuk et al.
- D646,443 S * 10/2011 Cook D26/37
- D652,945 S 1/2012 Chen
- D659,843 S 5/2012 Wang
- D670,015 S 10/2012 Wu
- D674,126 S 1/2013 Mase
- D674,906 S 1/2013 Matsuura
- D674,907 S 1/2013 Matsuura
- D674,908 S 1/2013 Matsuura
- D674,909 S 1/2013 Matsuura
- D675,331 S 1/2013 Matsuura
- D693,042 S * 11/2013 Wu D26/49
- D712,564 S 9/2014 Nan
- D716,464 S 10/2014 Kanbar et al.
- D717,963 S 11/2014 Milton
- D734,885 S 7/2015 Brown et al.
- D736,400 S 8/2015 Matsuura

(Continued)

Primary Examiner — Robert M Spear
Assistant Examiner — Elizabeth Bennett-Hattan
 (74) *Attorney, Agent, or Firm* — Studebaker & Brackett PC

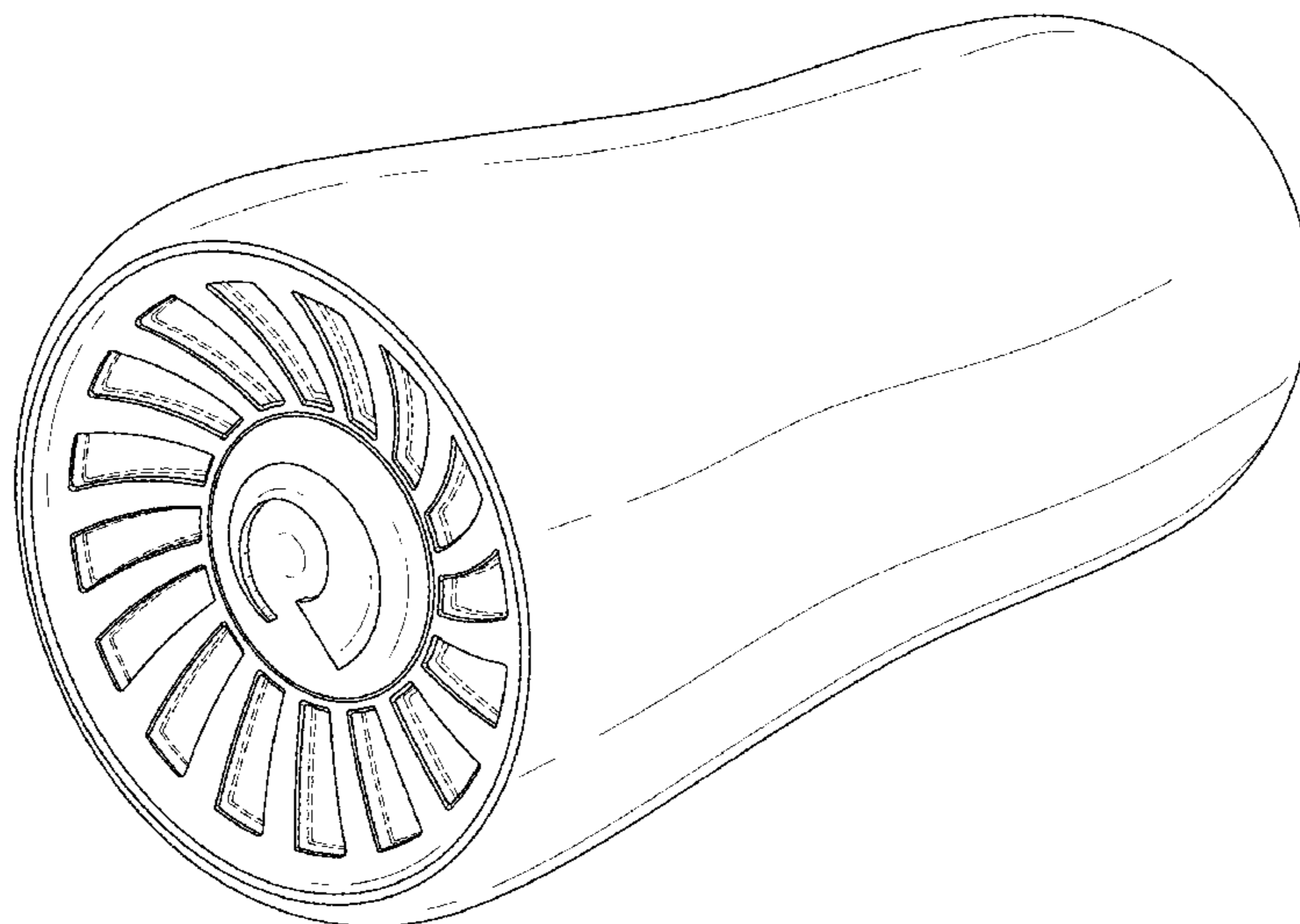
(57) **CLAIM**

The ornamental design for a massager, as shown and described.

DESCRIPTION

FIG. 1 is a top view showing our new design for a massager, FIG. 2 is a front perspective view thereof; and, FIG. 3 is a side view thereof, the opposite side being a mirror image thereof.
 The dotted line depict environmental subject matter only and form no part of the claimed design.

1 Claim, 3 Drawing Sheets



(56)

References Cited

U.S. PATENT DOCUMENTS

D736,401 S 8/2015 Matsuura
D738,553 S * 9/2015 Fletcher D26/41
D746,500 S 12/2015 Brown et al.
D758,603 S 6/2016 Phillips et al.

* cited by examiner

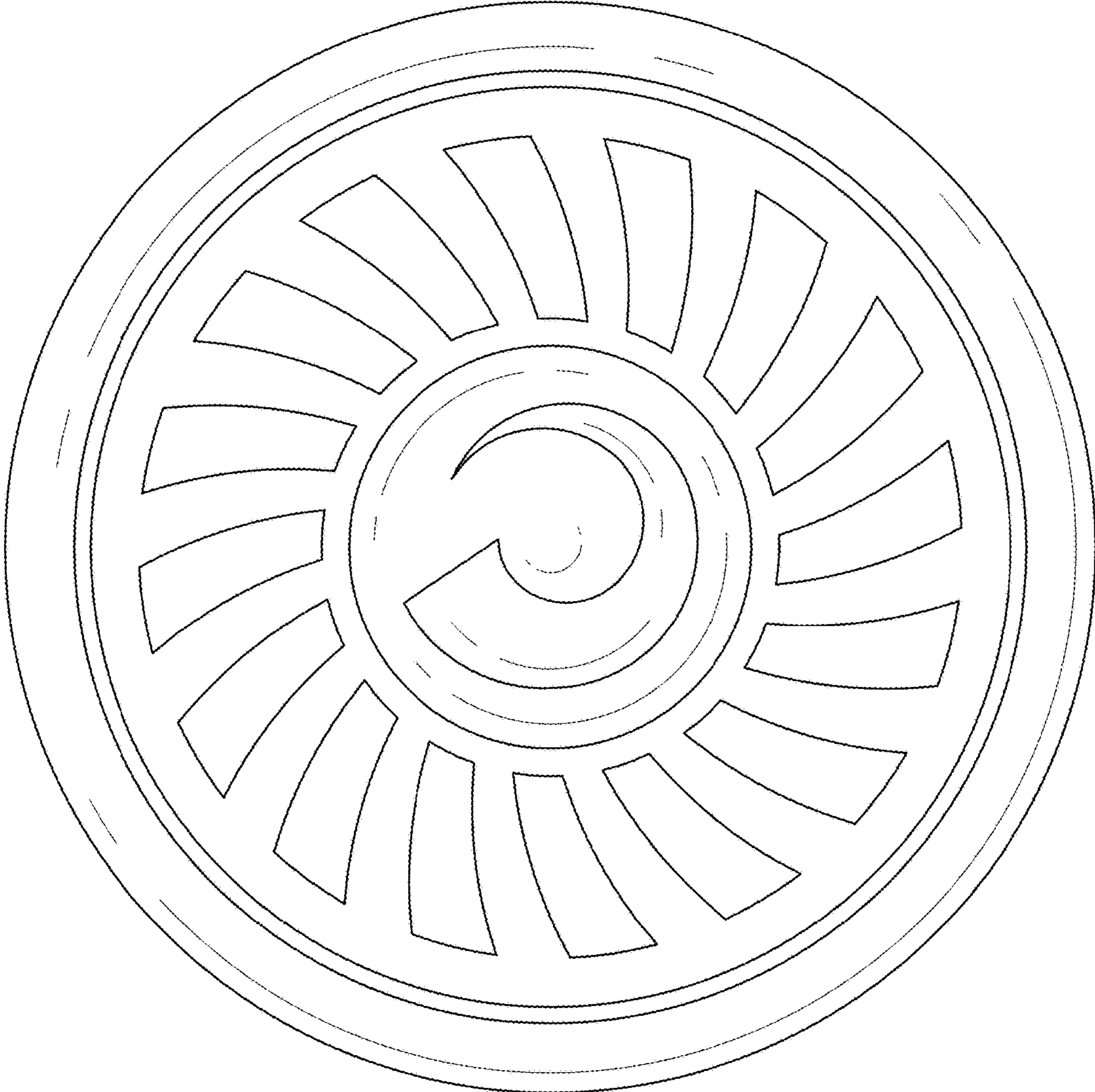


FIG. 1

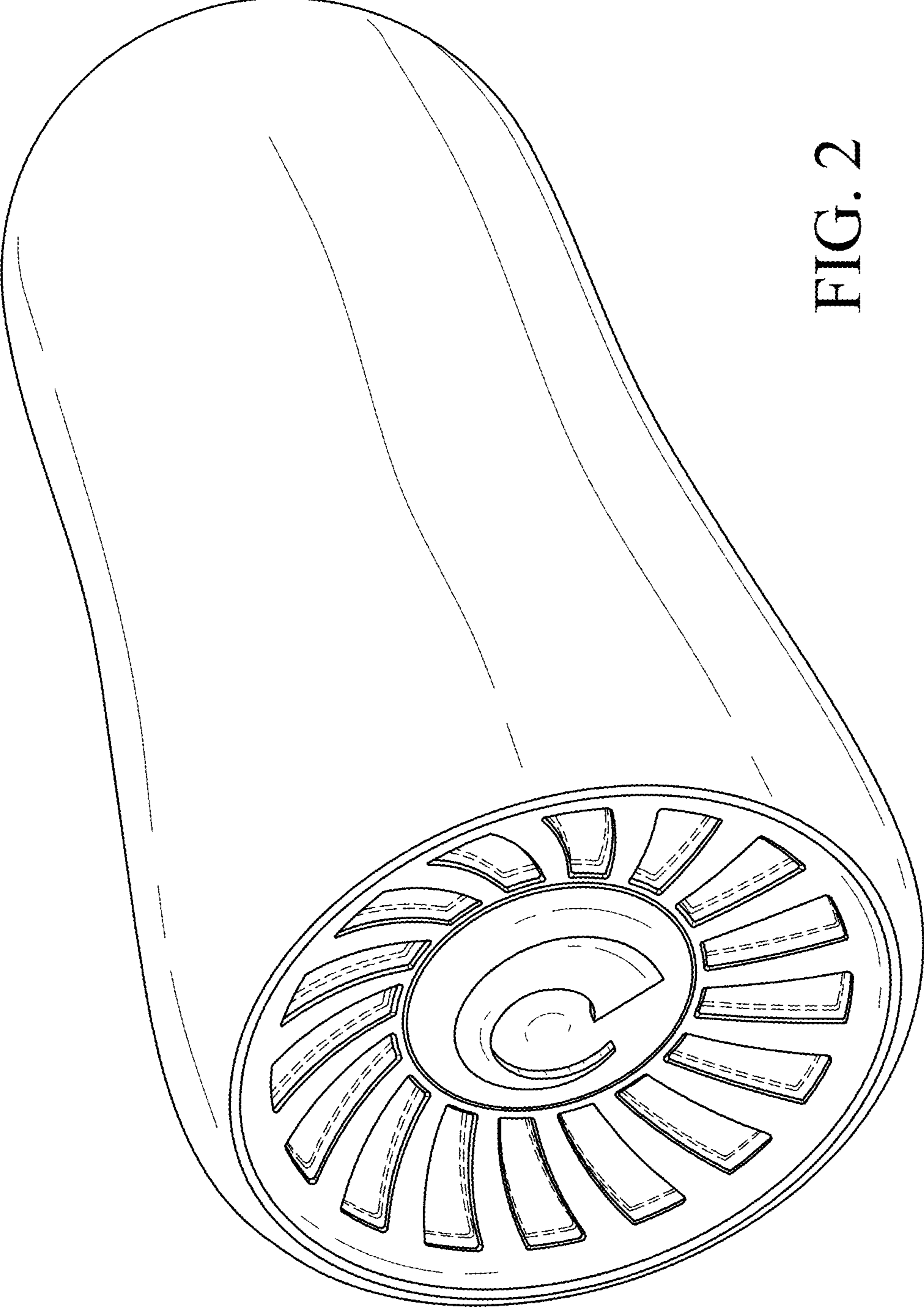


FIG. 2

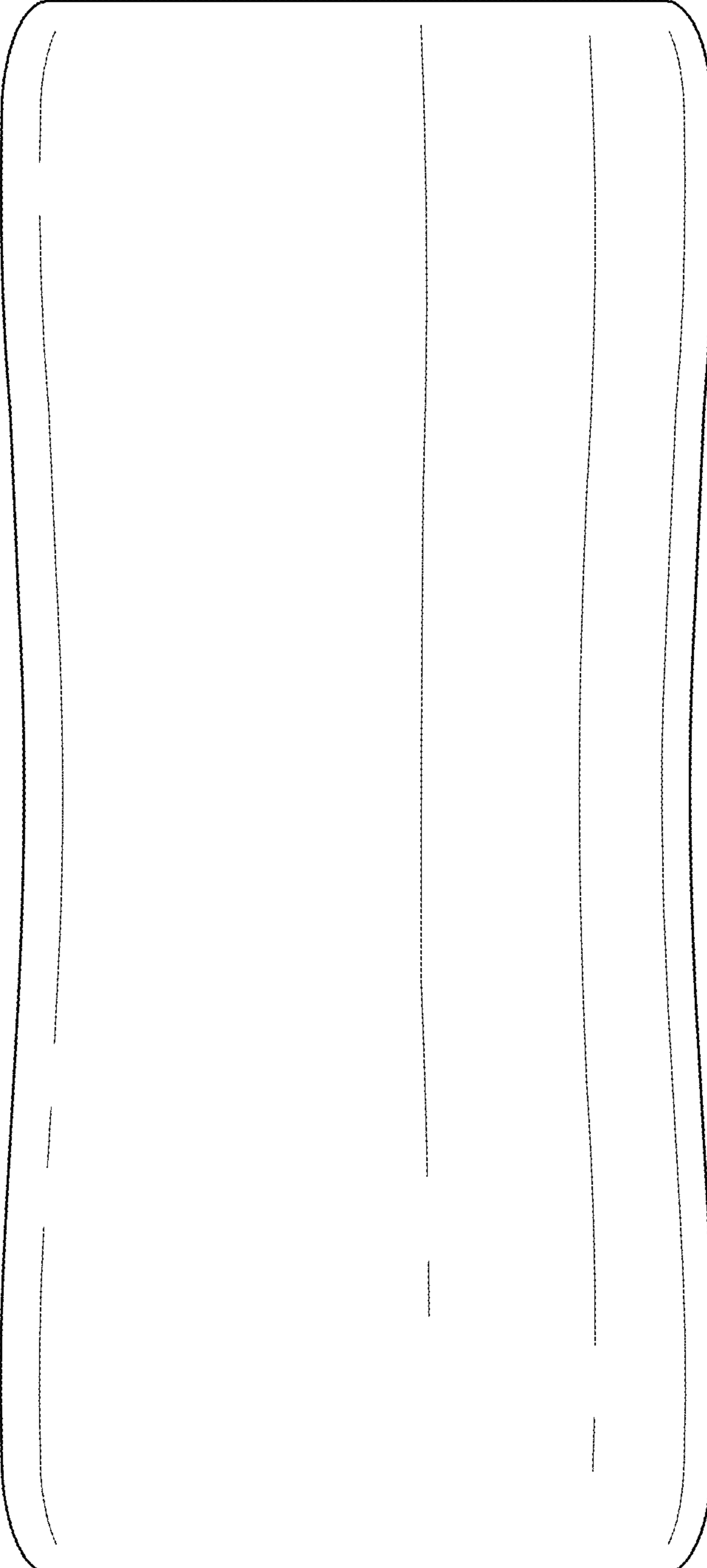


FIG. 3