



US00D810953S

(12) **United States Design Patent** (10) **Patent No.:** **US D810,953 S**
Larsen et al. (45) **Date of Patent:** **** Feb. 20, 2018**

(54) **SPA SHELL**

(71) Applicant: **WATKINS MANUFACTURING CORPORATION**, Vista, CA (US)

(72) Inventors: **Christopher Carl Larsen**, Vista, CA (US); **Sage Nathan Baker**, Cardiff, CA (US)

(73) Assignee: **Watkins Manufacturing Corporation**, Vista, CA (US)

(**) Term: **15 Years**

(21) Appl. No.: **29/587,110**

(22) Filed: **Dec. 9, 2016**

(51) **LOC (11) Cl.** **23-02**

(52) **U.S. Cl.**
USPC **D24/204**

(58) **Field of Classification Search**
USPC D24/201–205, 213; D23/276–278, D23/280.1–280.3, 280.4, 283; D25/2; D28/56, 61; D6/334, 335, 336, 338, 367, D6/708.18, 709, 710, 716.1, 716.3, 716.4; 297/452.1, DIG. 7; 210/153, 167.06, 210/167.1; 4/541.6, 574.1, 580, 596, 601, 4/622; 5/12.1, 12.2; 601/54–158; 607/86; 219/433, 439; 422/41
CPC .. A47C 1/02; A47C 1/024; A47C 1/04; A47C 1/06; A47C 7/18; A47C 7/24; A47C 17/00; A47C 17/02; A47C 17/175; A47K 3/02; A47K 3/022; A47K 3/062; A61H 33/6005; A61H 33/6021; A61H 33/6089; A61H 33/6094; A61H 2035/004; A61H 35/006; A61H 35/00; A61D 11/00; A61F 7/0085

See application file for complete search history.

(56) **References Cited**

U.S. PATENT DOCUMENTS

D463,569	S	*	9/2002	Bower	D24/204
D590,951	S	*	4/2009	Larsen	D24/204
D616,105	S	*	5/2010	Larsen	D24/204
D634,021	S	*	3/2011	Larsen	D24/204
D657,881	S	*	4/2012	Larsen	D24/204
D759,832	S	*	6/2016	Larsen	D24/204
D773,678	S	*	12/2016	Spicer	D24/204
D781,432	S	*	3/2017	Larsen	D24/204

* cited by examiner

Primary Examiner — Anhdao Doan

Assistant Examiner — Mary Malley

(74) *Attorney, Agent, or Firm* — Kirk W. Rudolph

(57) **CLAIM**

The ornamental design for a spa shell, as shown and described.

DESCRIPTION

FIG. 1 is a perspective view of a spa shell showing our new design;

FIG. 2 is another perspective view thereof;

FIG. 3 is a top plan view thereof;

FIG. 4 is a cross-sectional view thereof, taken in the direction of line 4-4 of FIG. 3;

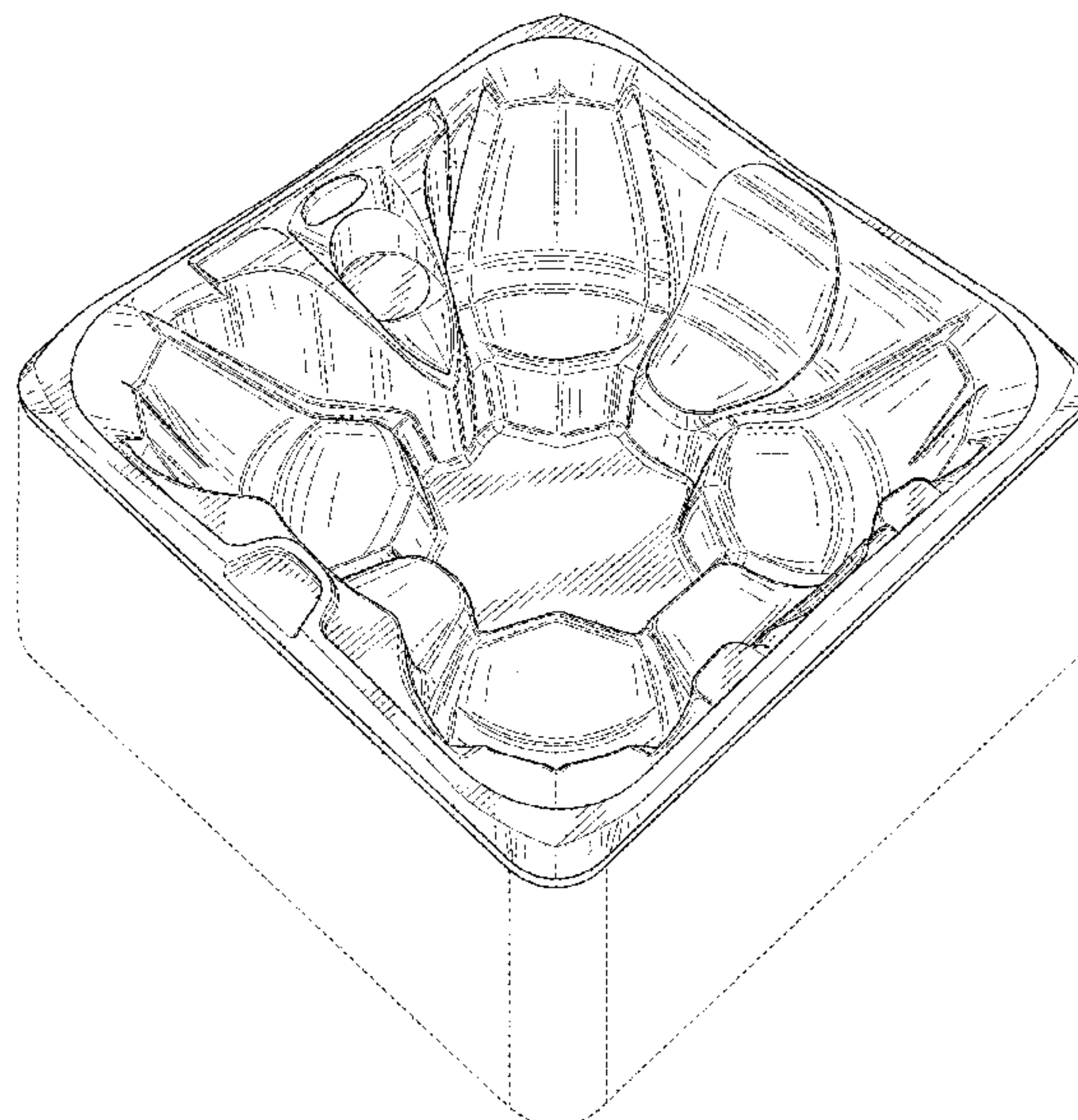
FIG. 5 is a cross-sectional view thereof, taken in the direction of line 5-5 of FIG. 3;

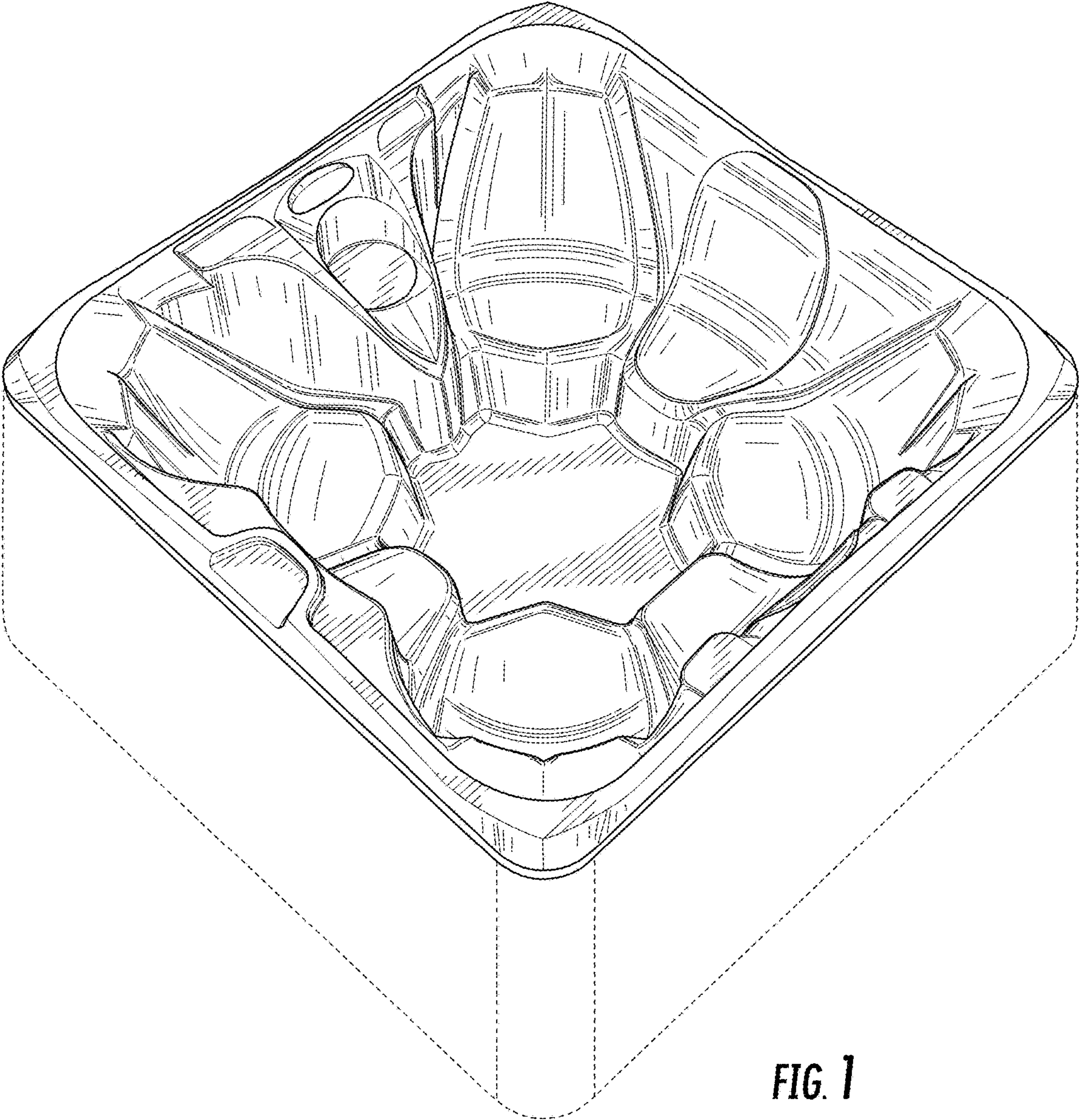
FIG. 6 is a cross-sectional view thereof, taken in the direction of line 6-6 of FIG. 3; and,

FIG. 7 is a cross-sectional view thereof, taken in the direction of line 7-7 of FIG. 3.

The broken lines immediately adjacent the shaded areas represent the bounds of the claim, while all other broken lines are directed to environment and are for illustrative purposes only; the broken lines form no part of the claimed design.

1 Claim, 5 Drawing Sheets





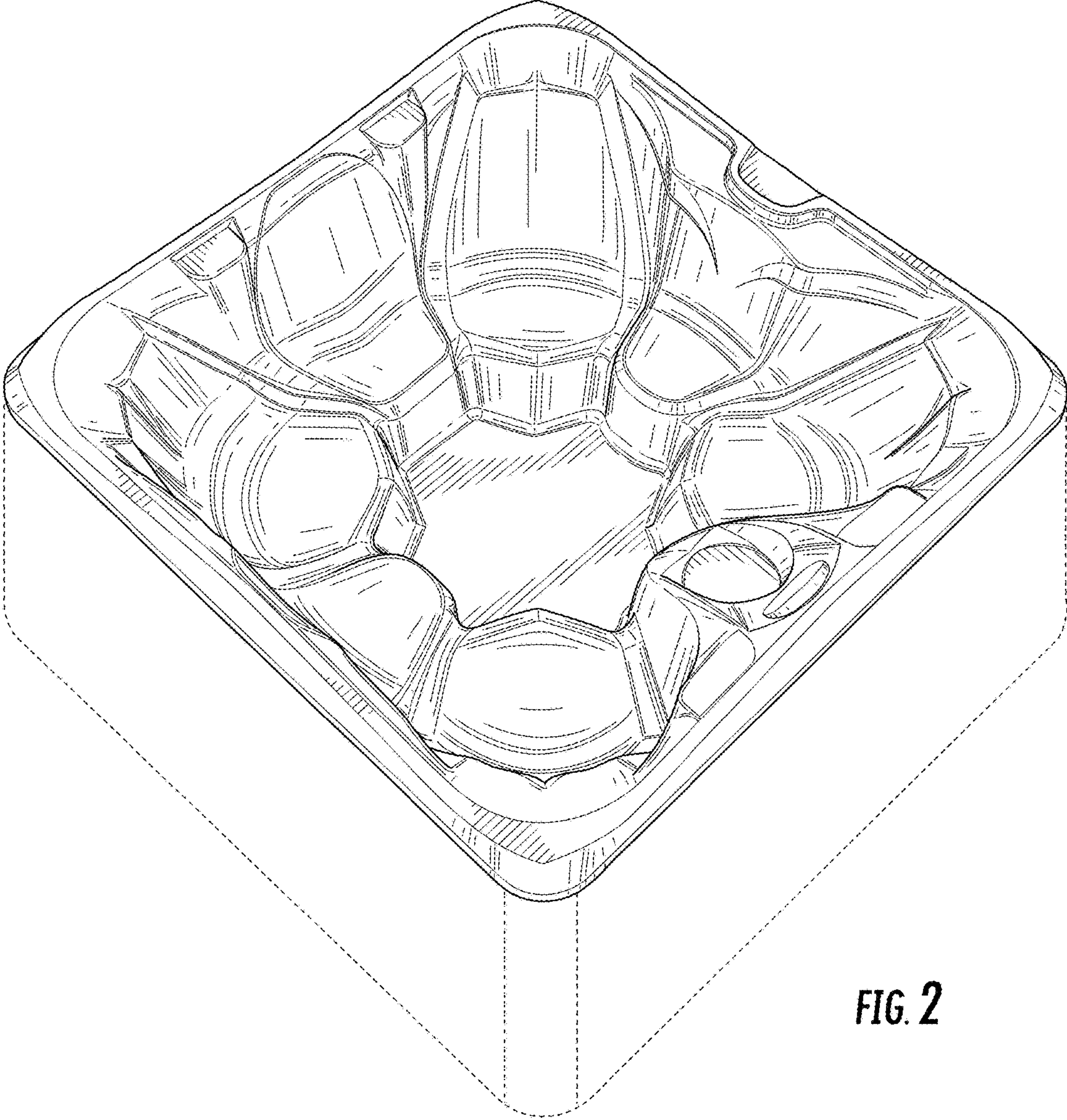


FIG. 2

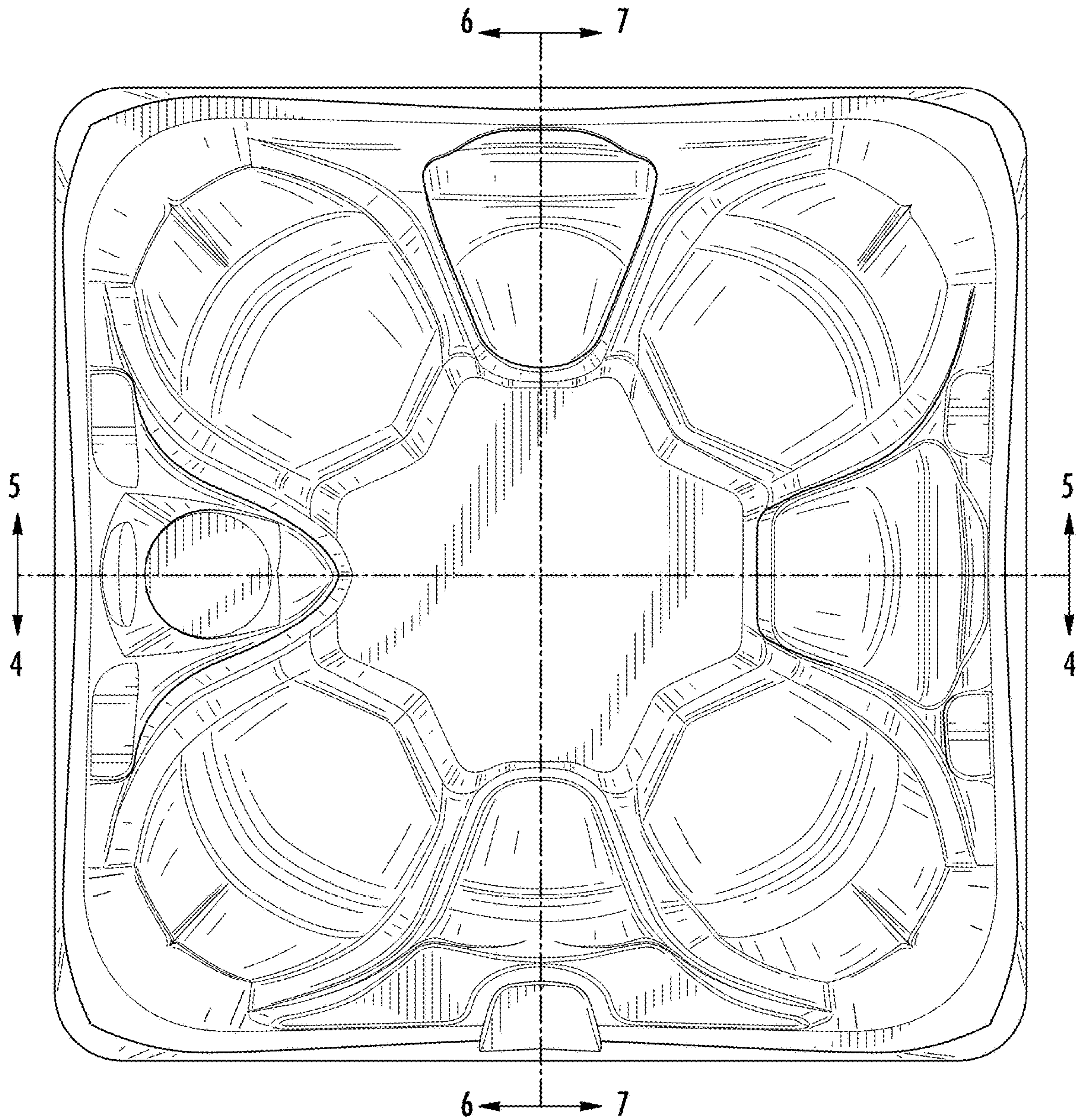


FIG. 3

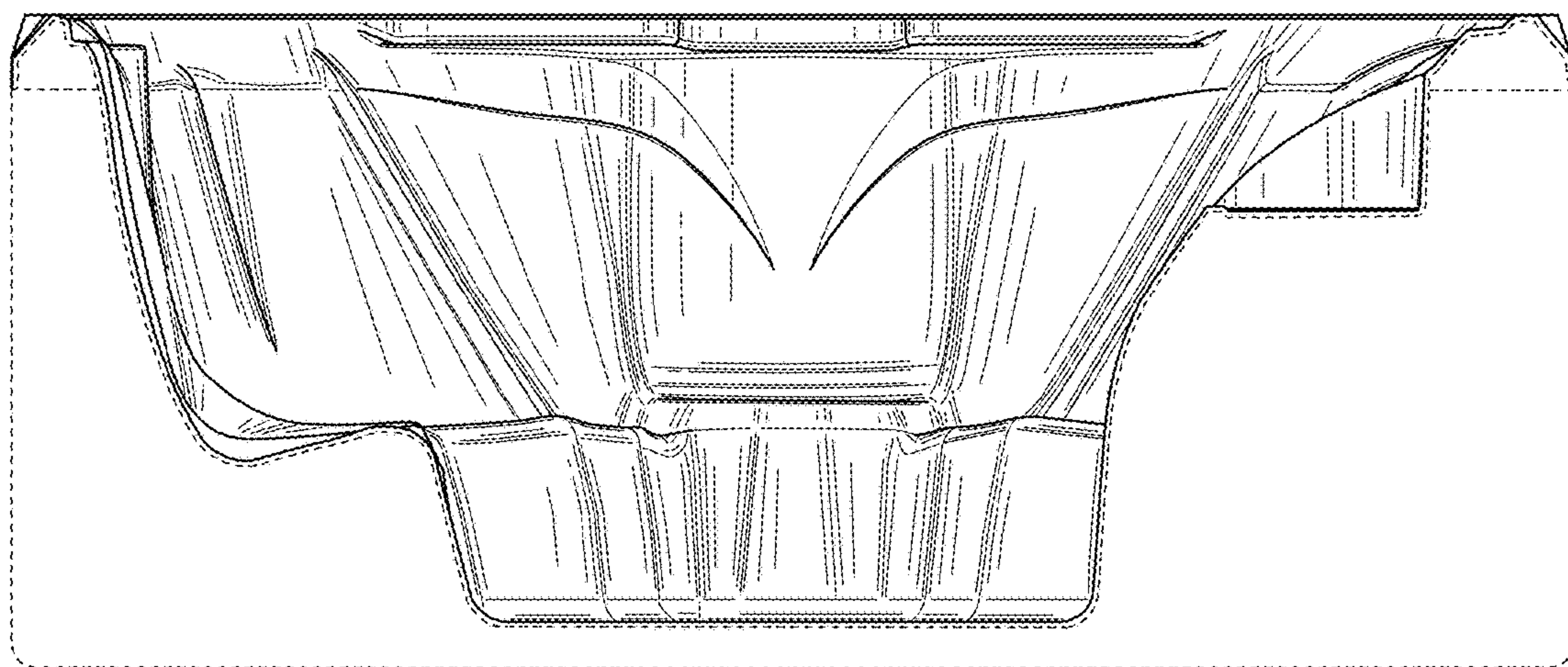


FIG. 4

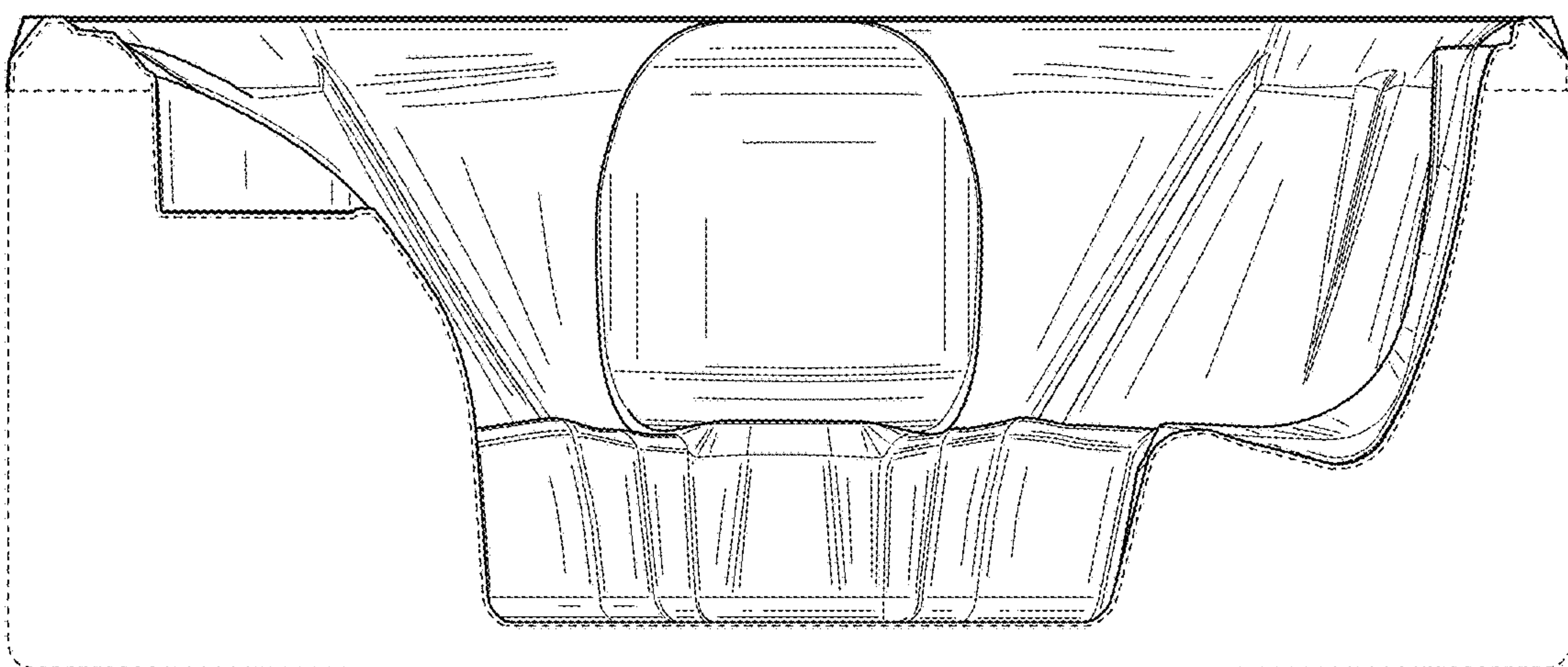


FIG. 5

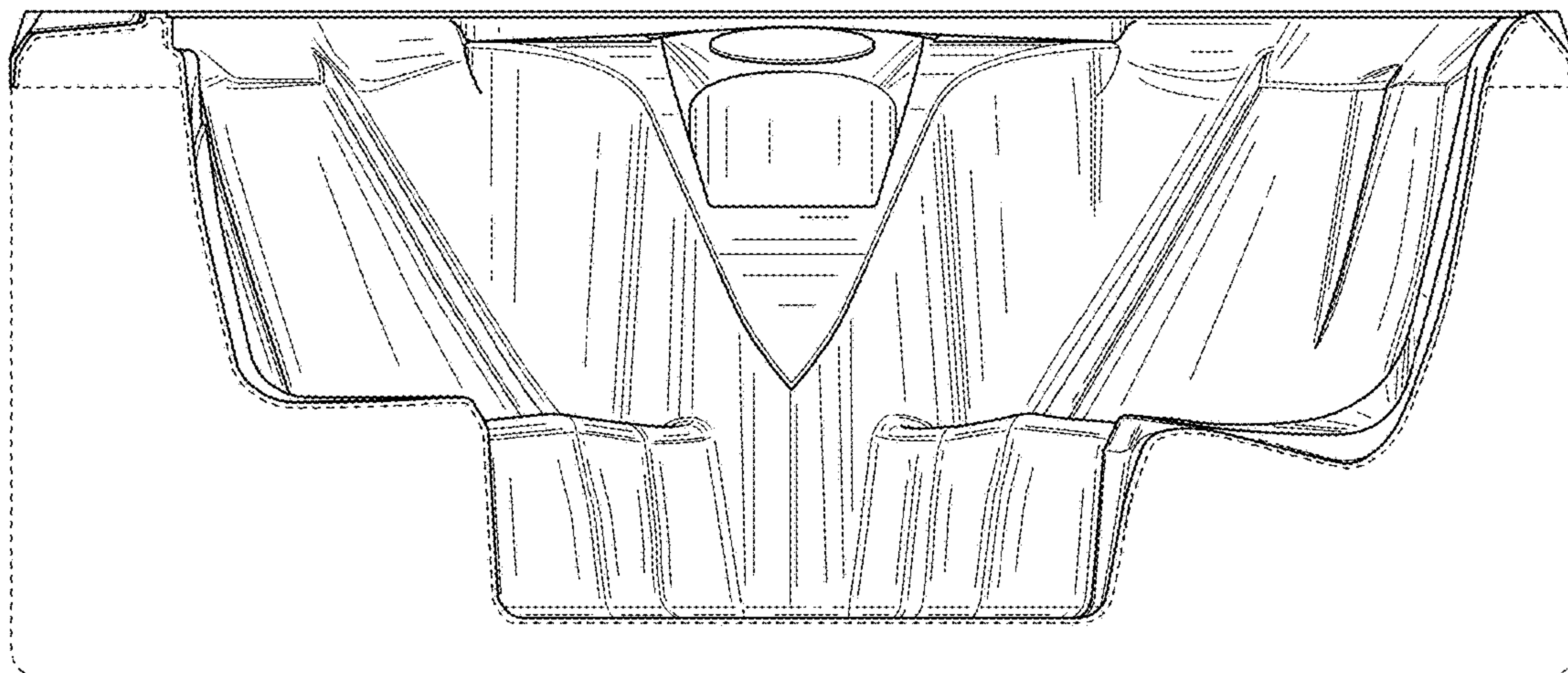


FIG. 6

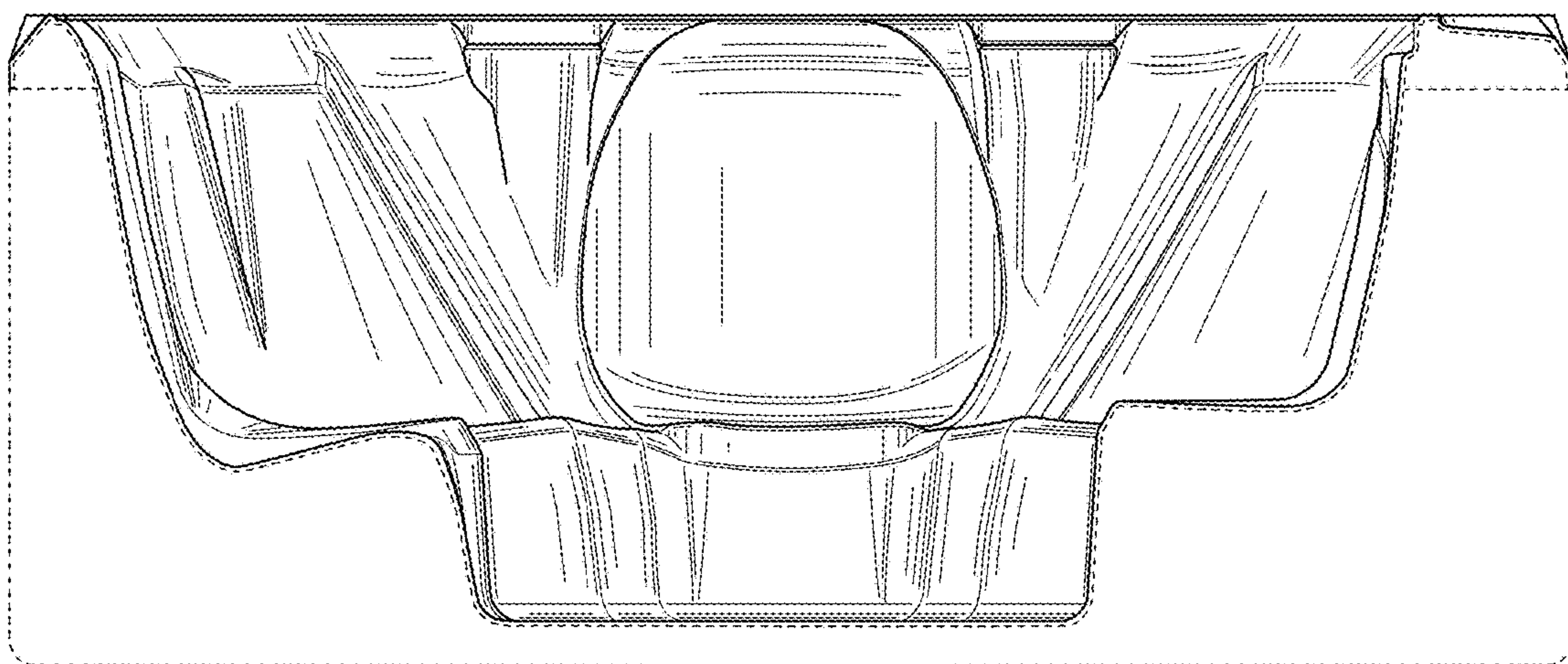


FIG. 7