



US00D810952S

(12) **United States Design Patent** (10) **Patent No.:** **US D810,952 S**
Hsu (45) **Date of Patent:** **** Feb. 20, 2018**

(54) **TRANSCUTANEOUS ELECTRICAL NERVE STIMULATION OR TENS DEVICE**

(71) Applicant: **Raymond Hsu**, Shenzhen (CN)

(72) Inventor: **Raymond Hsu**, Shenzhen (CN)

(**) Term: **15 Years**

(21) Appl. No.: **29/585,553**

(22) Filed: **Nov. 25, 2016**

(51) **LOC (11) Cl.** **24-01**

(52) **U.S. Cl.**
USPC **D24/200**; D24/186

(58) **Field of Classification Search**
USPC D24/165–168, 186, 187, 200, 231, 232;
D10/70, 75, 78, 97, 98; D14/203.6, 344;
600/301, 382–384, 386, 390, 483,
600/500–503, 508, 509, 513;
128/DIG. 15

CPC A61B 5/0205; A61B 5/02055; A61B
5/02405; A61B 5/02444; A61B 5/4809;
A61B 5/1102; A61B 5/6801; A61B
5/6802; A61B 5/6813; A61B 5/6814;
A61B 5/6815; A61B 5/6816; A61B
5/6817; A61B 5/6818; A61B 5/6819;
A61B 5/6822; A61B 5/6823; A61B
5/6824; A61B 5/6825; A61B 5/6826;
A61B 5/6828; A61B 5/0444; A61B
5/0448; A61B 5/0432; A61B 5/02411;
A61B 5/0011; A61B 5/4343; A61B
5/4362; A61B 5/4356; A61B 5/6833;
A61B 5/0478; A61B 2503/02; A61G
2203/36

See application file for complete search history.

(56) **References Cited**

U.S. PATENT DOCUMENTS

D303,430 S *	9/1989	Studer, Jr.	D24/200
D514,095 S *	1/2006	Wilson	D14/223
D683,636 S *	6/2013	Levanen	D10/70
D701,315 S *	3/2014	Huang	D24/164
D717,298 S *	11/2014	Sale	D14/371
D743,383 S *	11/2015	Hinokio	D14/225
D759,257 S *	6/2016	Chen	D24/200
D796,355 S *	9/2017	Cho	D10/70
D803,410 S *	11/2017	Im	D24/187

* cited by examiner

Primary Examiner — Anhdao Doan

Assistant Examiner — Mary Malley

(74) *Attorney, Agent, or Firm* — Alexander Chen

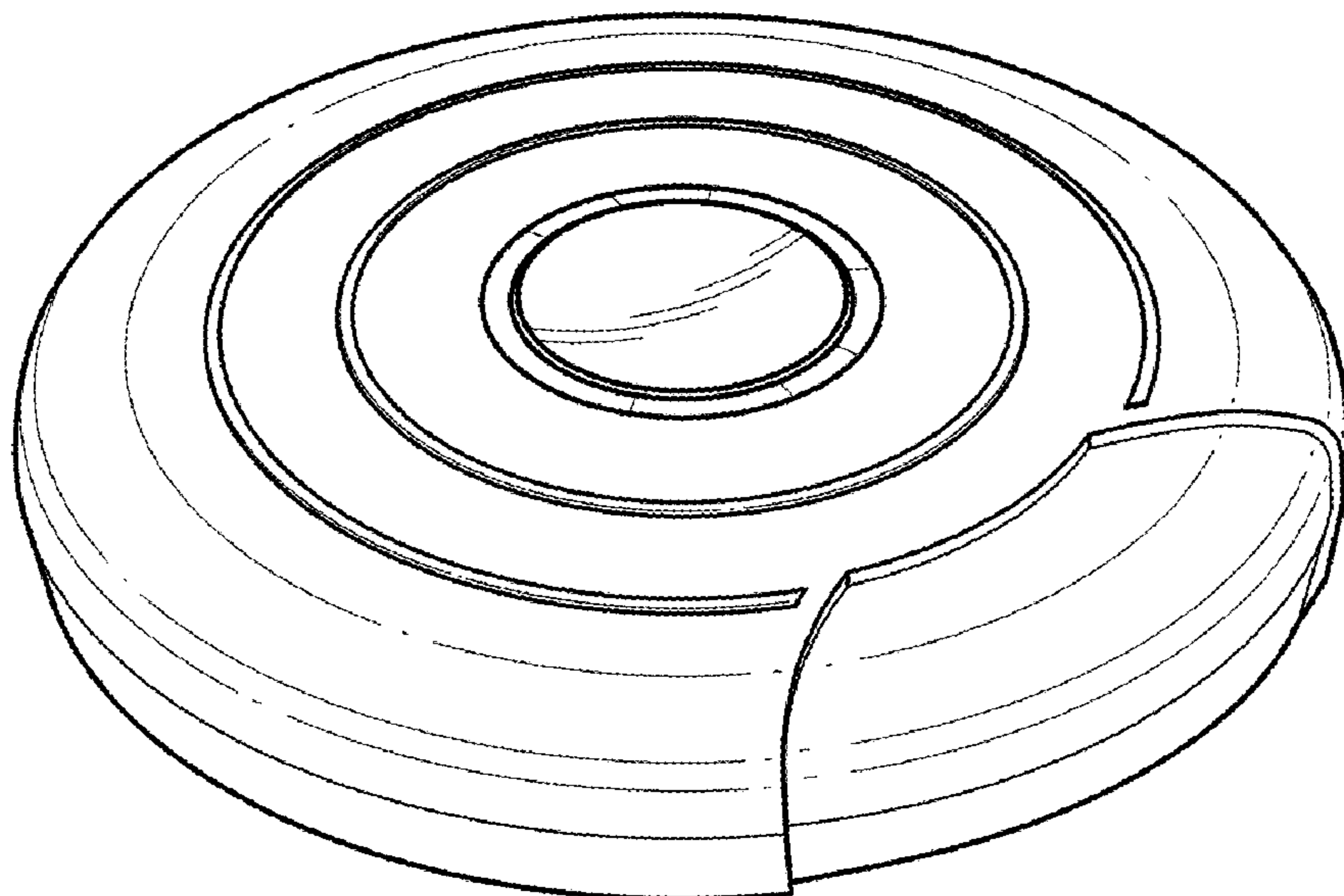
(57) **CLAIM**

The ornamental design for transcutaneous electrical nerve simulation or TENS device, as shown and described.

DESCRIPTION

FIG. 1 is a perspective view of a transcutaneous electrical nerve simulation or TENS device;
FIG. 2 is a top view thereof;
FIG. 3 is a left side view thereof;
FIG. 4 is a bottom view thereof;
FIG. 5 is a right side view thereof;
FIG. 6 is a front side view thereof; and,
FIG. 7 is a back side view thereof.
The broken lines show portions of the transcutaneous electrical nerve simulation or TENS device that form no part of the claimed design.

1 Claim, 4 Drawing Sheets



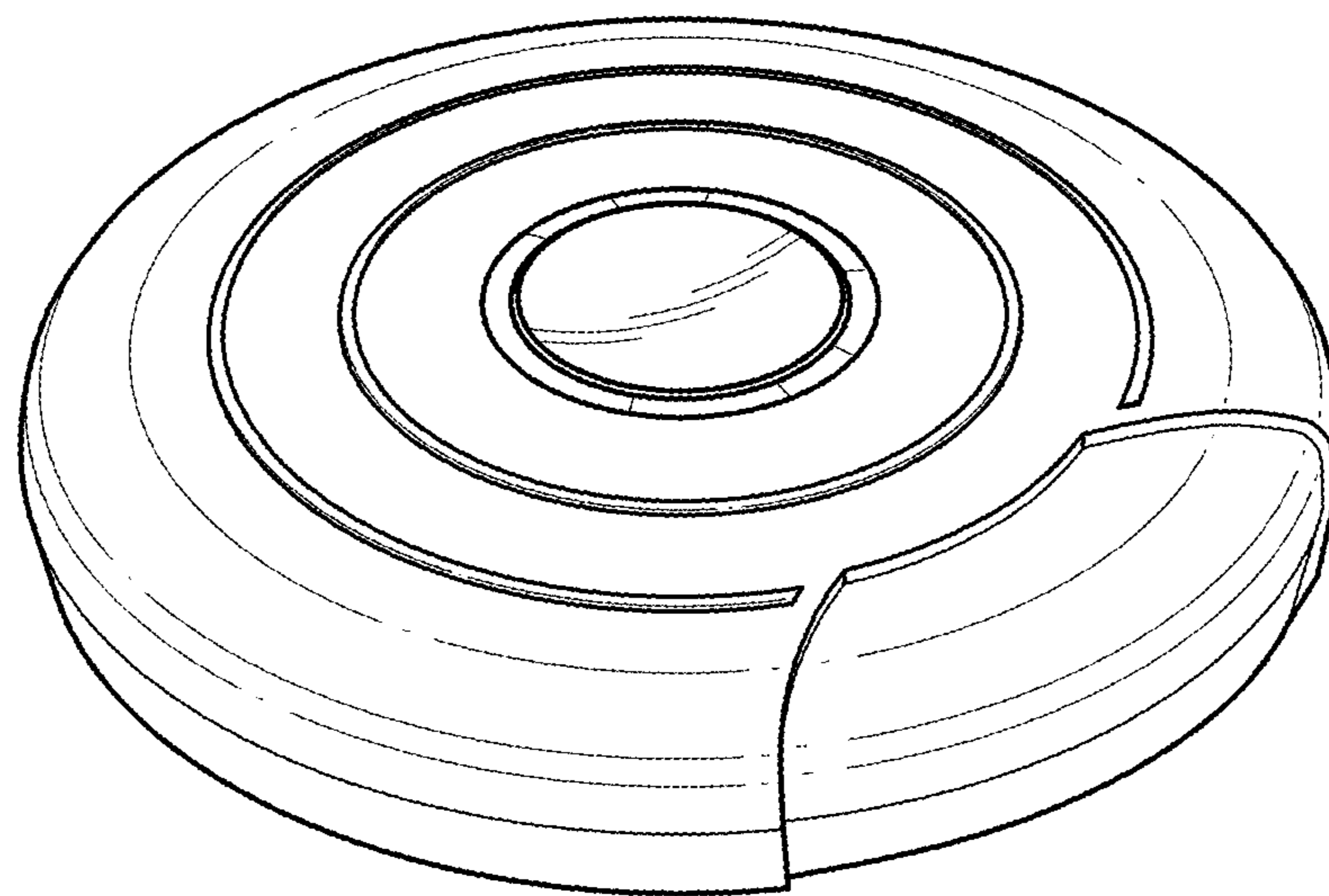


FIG. 1

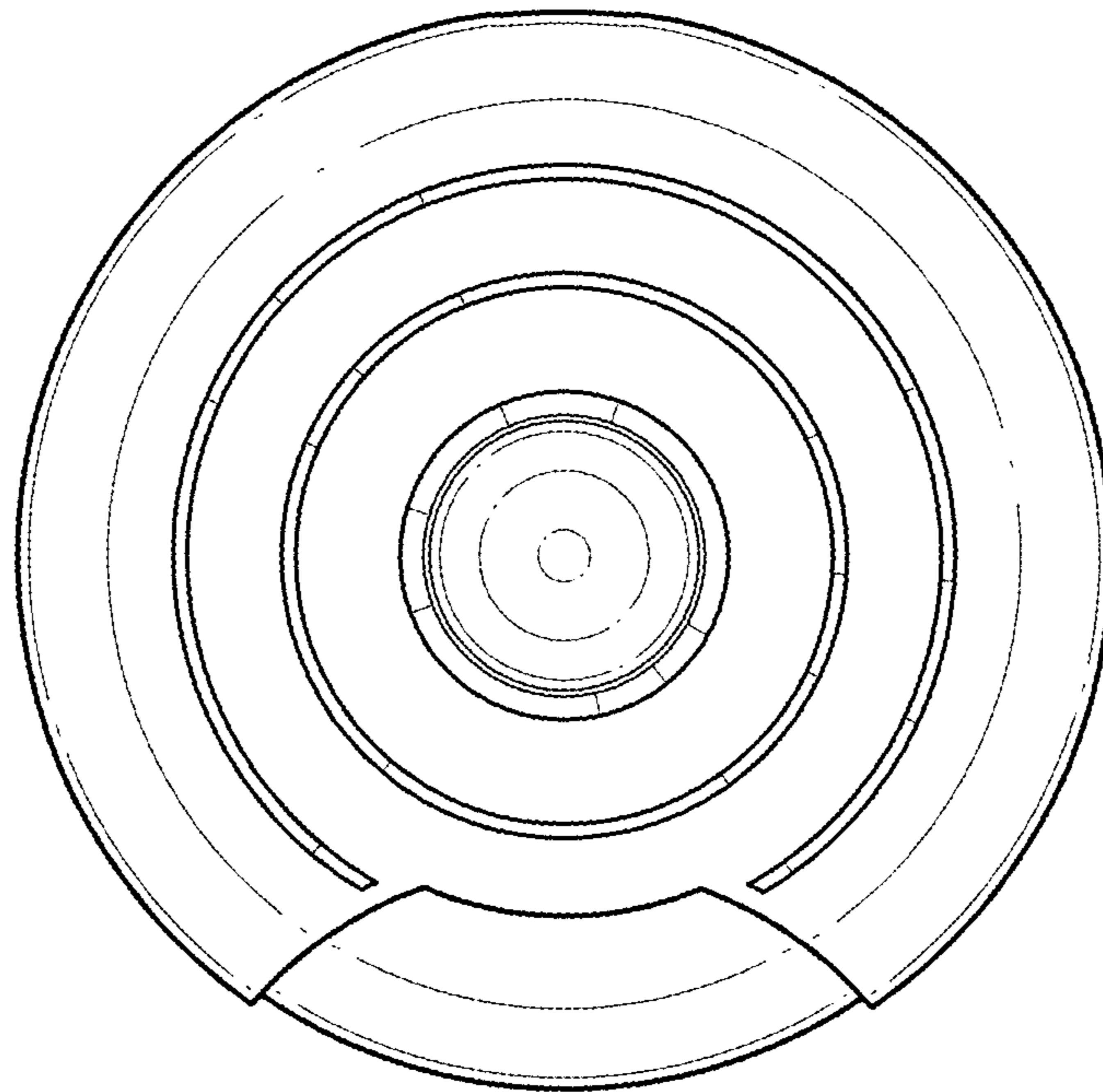


FIG. 2

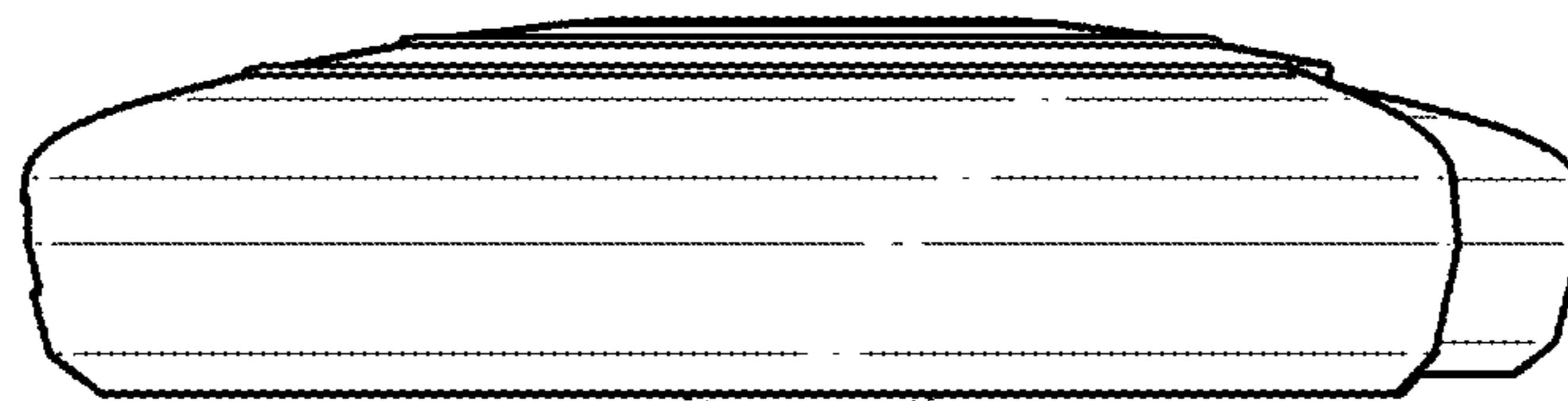


FIG. 3

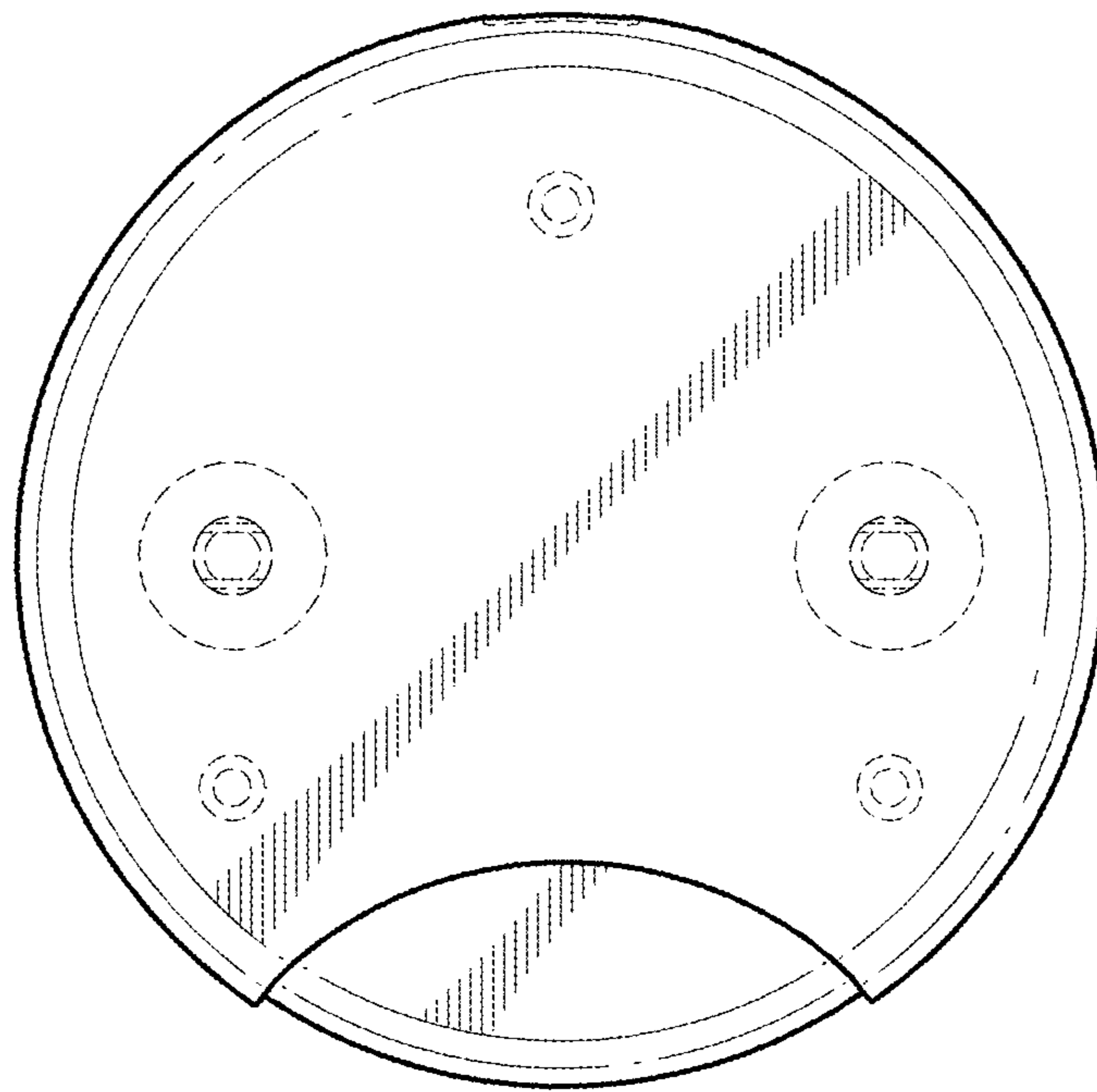


FIG. 4

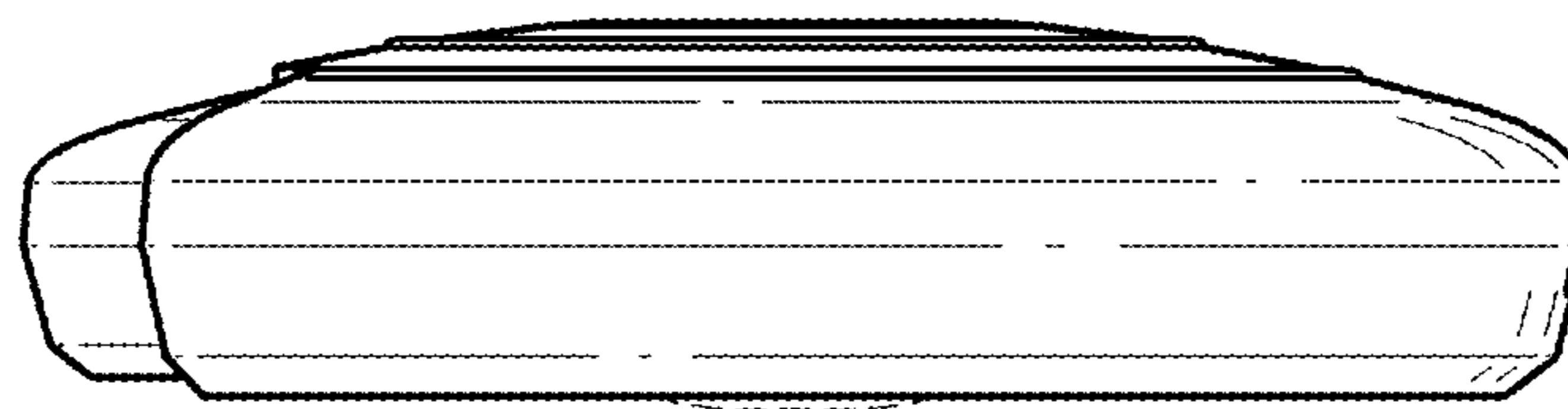


FIG. 5

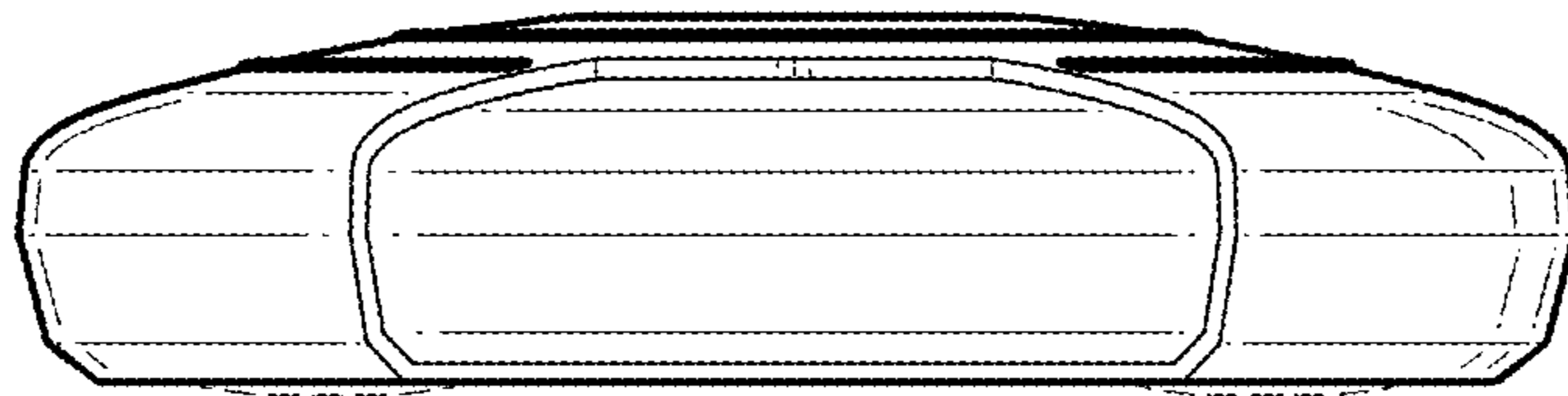


FIG. 6

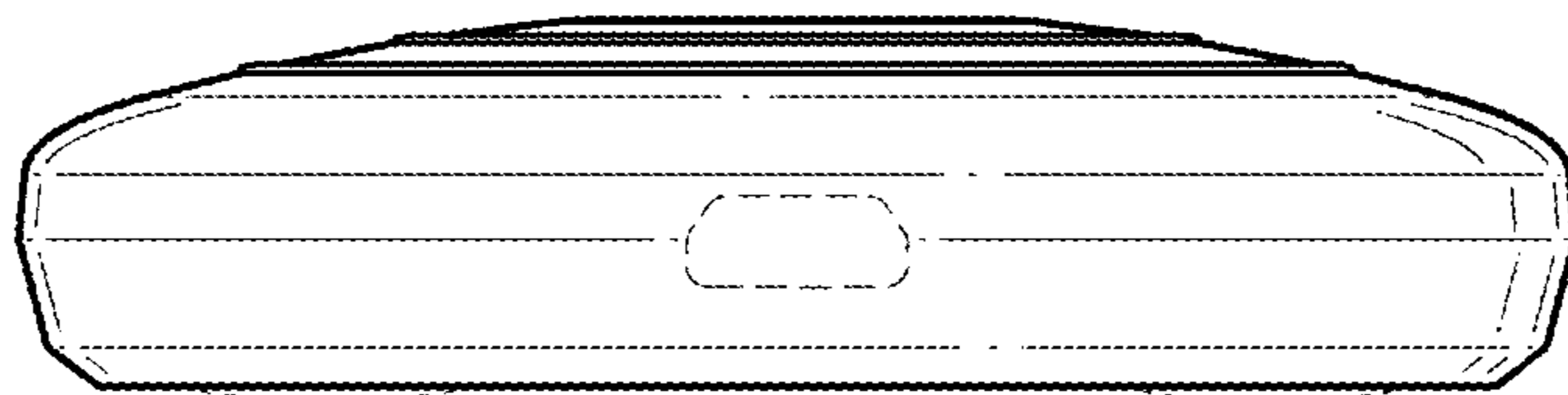


FIG. 7