



US00D810951S

(12) **United States Design Patent**  
**Tooke**

(10) **Patent No.:** **US D810,951 S**

(45) **Date of Patent:** **\*\* Feb. 20, 2018**

(54) **MEDICAL VEST**  
(71) Applicant: **Tookie Limited**, Liverpool (GB)  
(72) Inventor: **Stephen Tooke**, Liverpool (GB)  
(73) Assignee: **Tookie Limited**, Liverpool (GB)  
(\*\*) Term: **15 Years**  
(21) Appl. No.: **29/574,615**  
(22) Filed: **Aug. 17, 2016**

5,832,536 A \* 11/1998 Kramer ..... A41B 9/06  
2/115  
6,336,458 B1 \* 1/2002 Nafziger ..... A41D 13/1245  
128/846  
6,681,404 B1 \* 1/2004 Adlard ..... A41D 13/1245  
2/94  
D699,365 S \* 2/2014 Pollack ..... D24/190  
D731,069 S \* 6/2015 Bialek ..... D24/190  
D764,147 S \* 8/2016 Zhou ..... D2/829  
D778,532 S \* 2/2017 Dorsey ..... D2/624  
2012/0022418 A1 \* 1/2012 Gamboa ..... A61F 5/028  
602/19  
2016/0206495 A1 \* 7/2016 Pongratz ..... A61F 5/03  
2017/0100130 A1 \* 4/2017 Lakkireddy ..... A41D 13/1245

\* cited by examiner

(30) **Foreign Application Priority Data**

Feb. 17, 2016 (EM) ..... 002990382-0001  
Feb. 17, 2016 (EM) ..... 002990382-0002

(51) **LOC (11) Cl.** ..... **24-00**  
(52) **U.S. Cl.**  
USPC ..... **D24/190**  
(58) **Field of Classification Search**  
USPC ..... D24/190; D2/624, 829  
CPC ..... A61F 5/0102; A61F 5/028; A61F 5/03;  
A41D 13/1245; A61M 2025/0206; A61M  
25/02; A61B 17/1325  
See application file for complete search history.

(56) **References Cited**

**U.S. PATENT DOCUMENTS**

5,708,978 A \* 1/1998 Johnsrud ..... A41D 13/1245  
2/102  
5,755,698 A \* 5/1998 Kagan ..... A61M 25/02  
128/DIG. 26  
5,782,790 A \* 7/1998 Allen ..... A61F 5/0102  
2/69

*Primary Examiner* — Charles Hanson

(74) *Attorney, Agent, or Firm* — Renner, Otto, Boisselle  
& Sklar, LLP

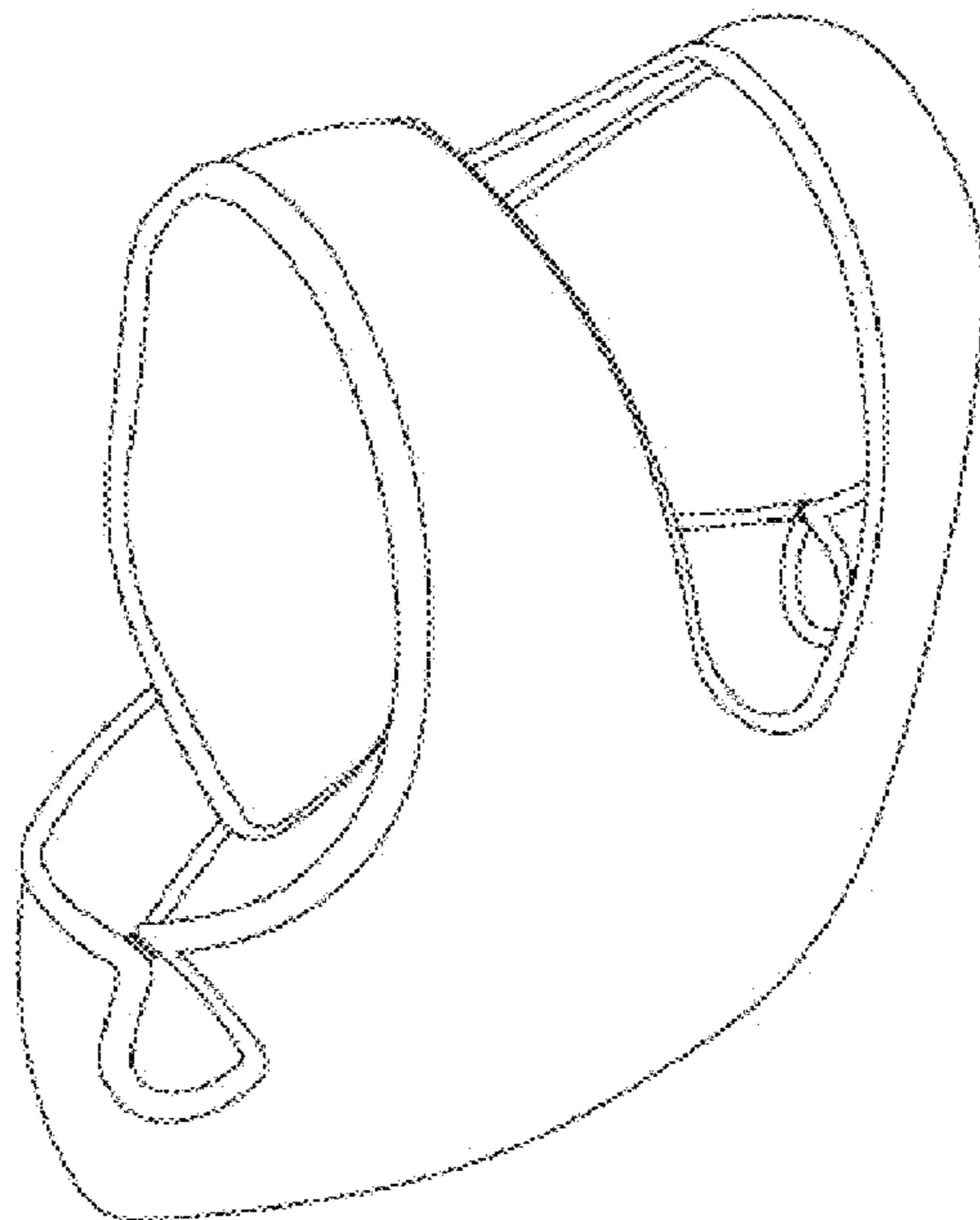
(57) **CLAIM**

The ornamental design for a medical vest, as shown and described.

**DESCRIPTION**

FIG. 1 is a front view of a first embodiment of a medical vest showing my design as assembled.  
FIG. 2 is a left side view thereof, the right side view being a mirror image thereof.  
FIG. 3 is a top flat view thereof shown unassembled.  
FIG. 4 is a front perspective view thereof.  
FIG. 5 is a rear view thereof.  
FIG. 6 is a bottom flat view thereof shown unassembled; and,  
FIG. 7 is a rear perspective view thereof.

**1 Claim, 4 Drawing Sheets**



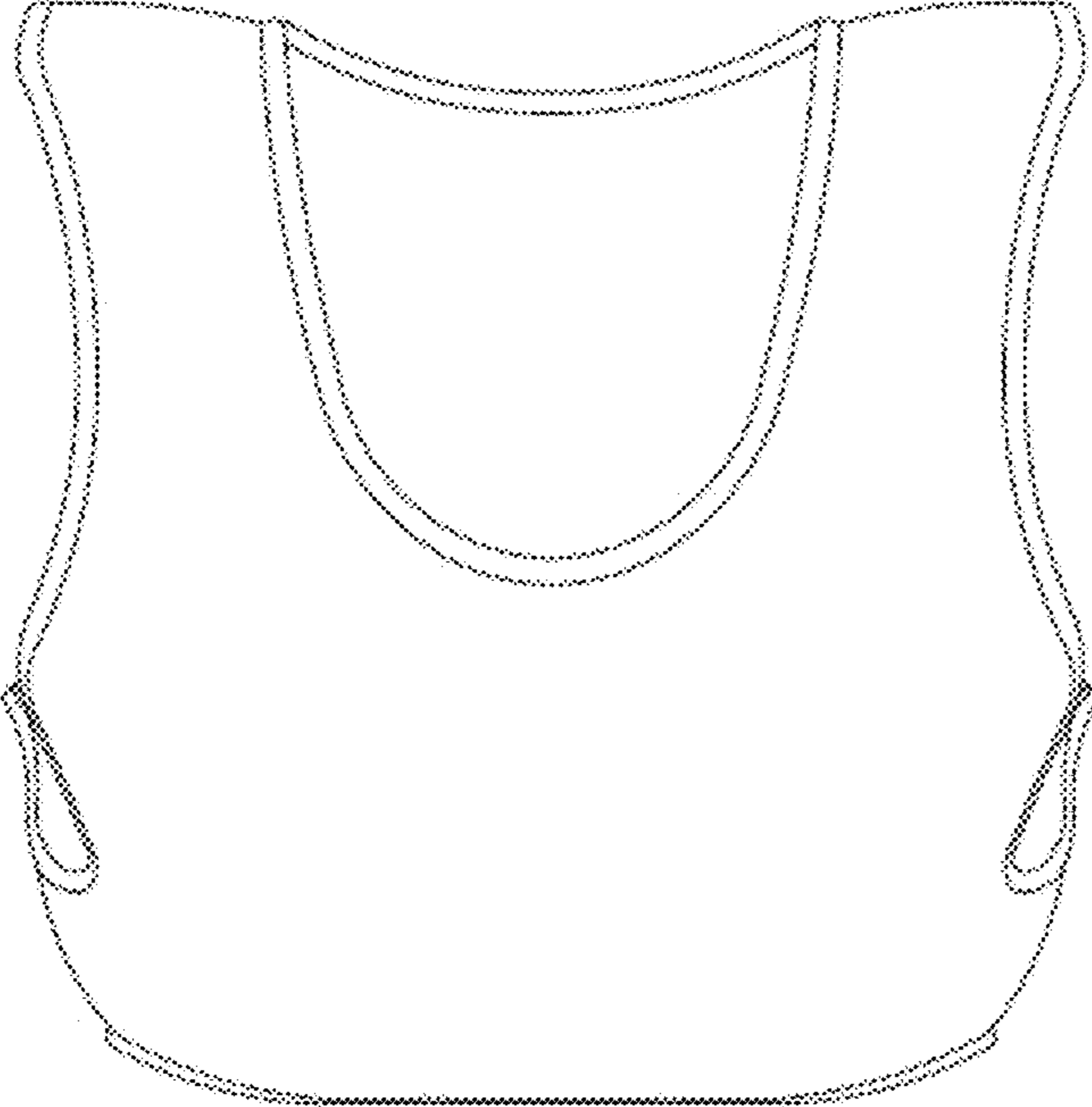


FIG. 1

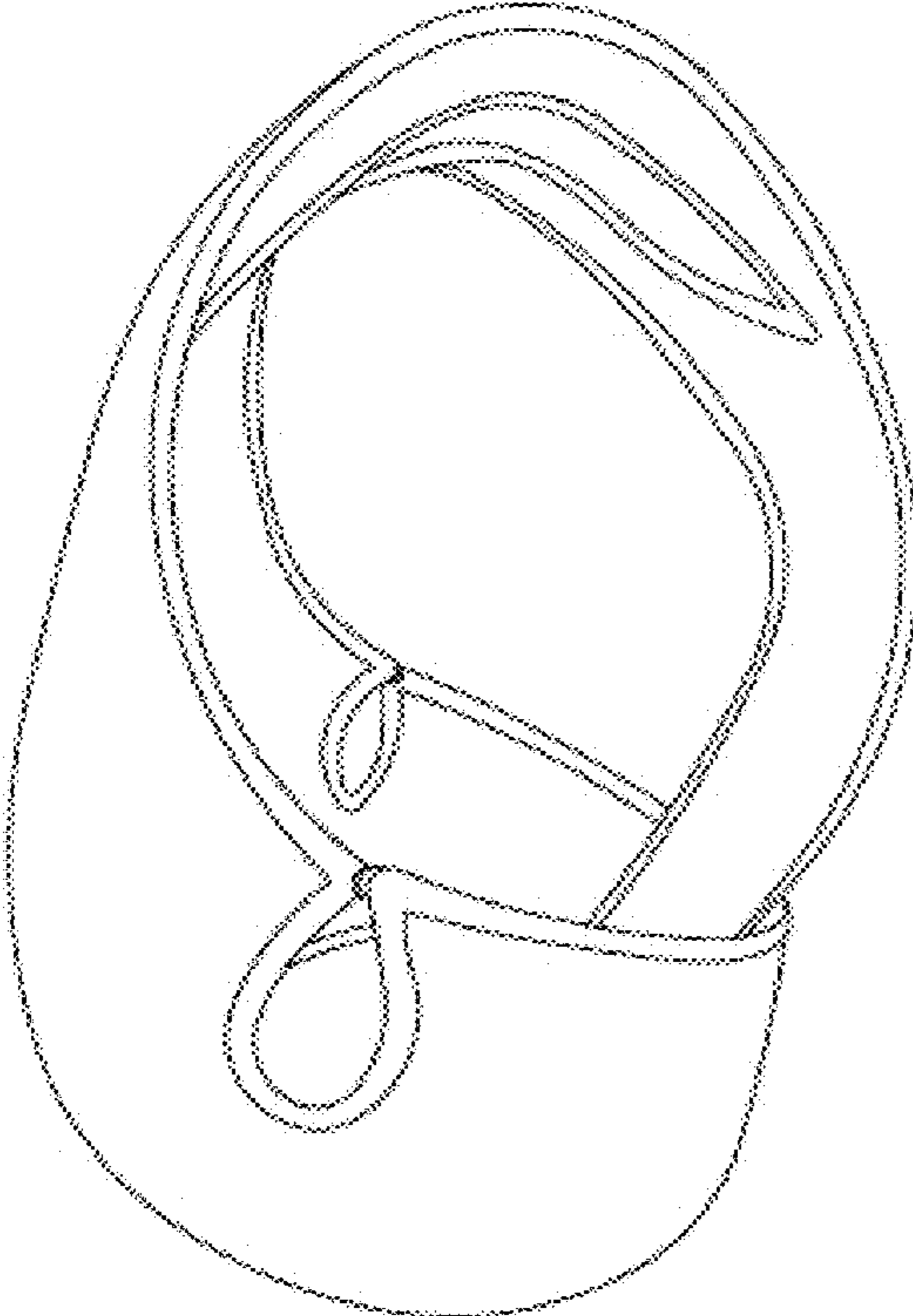


FIG. 2

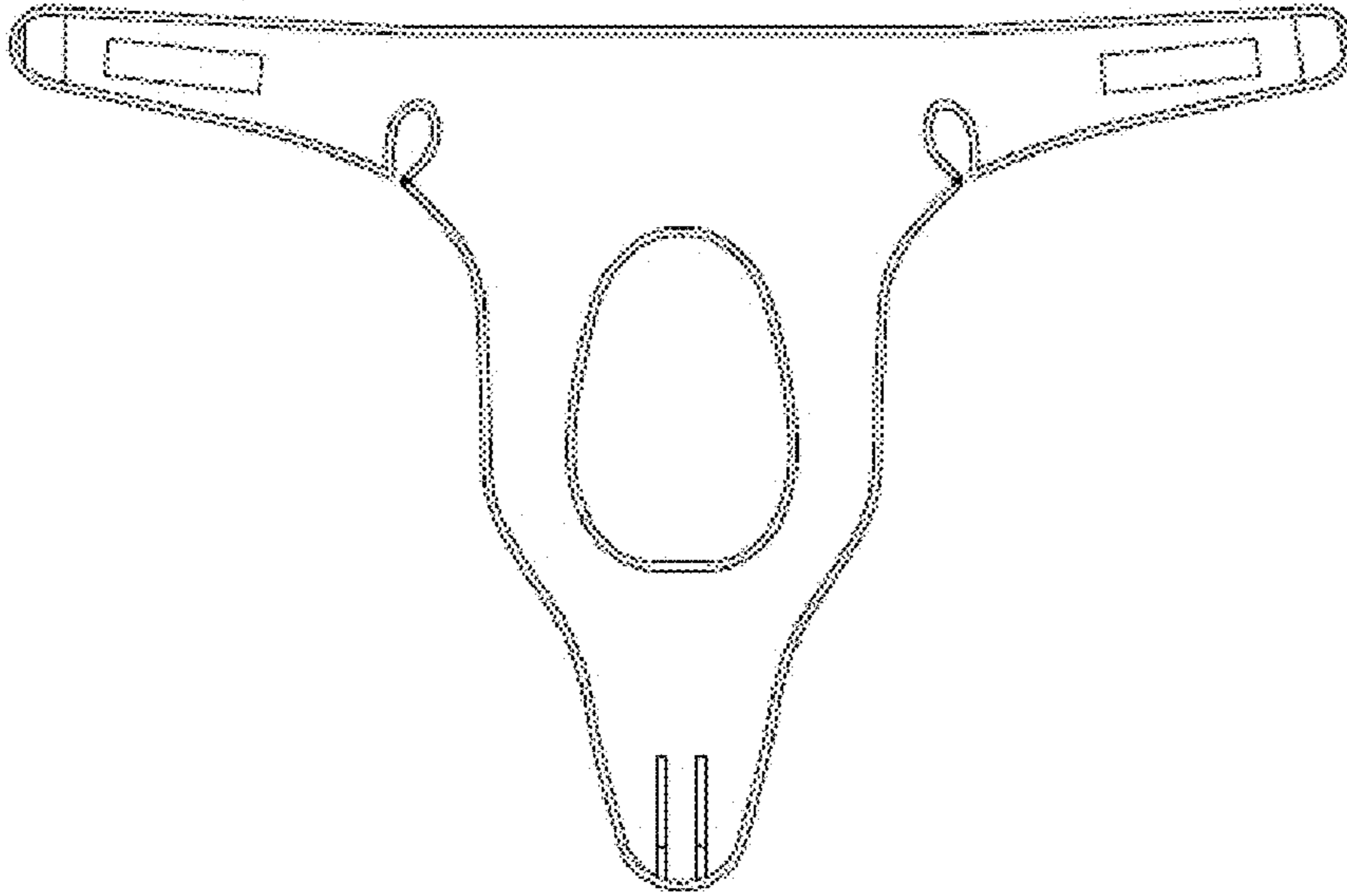


FIG. 3

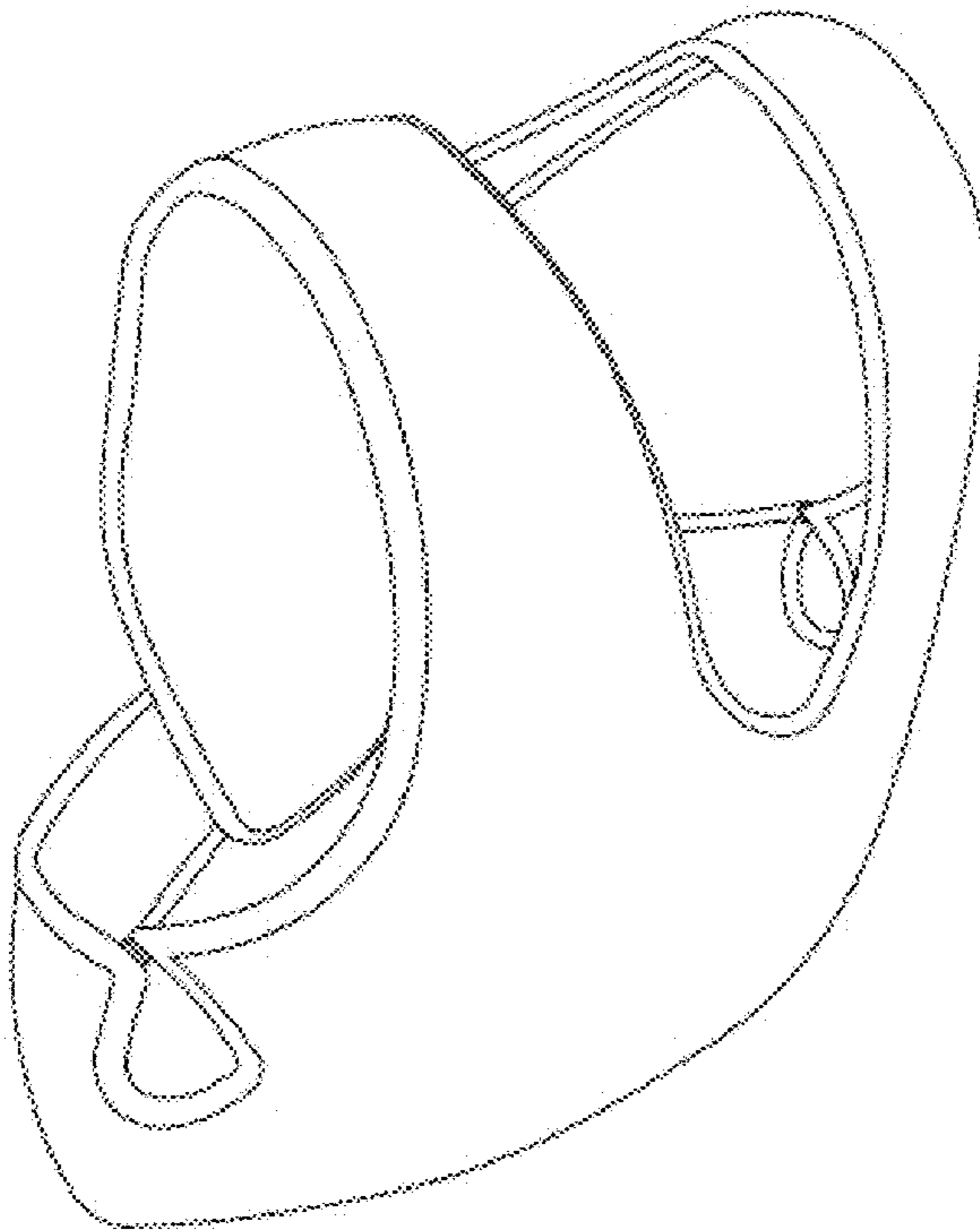


FIG. 4

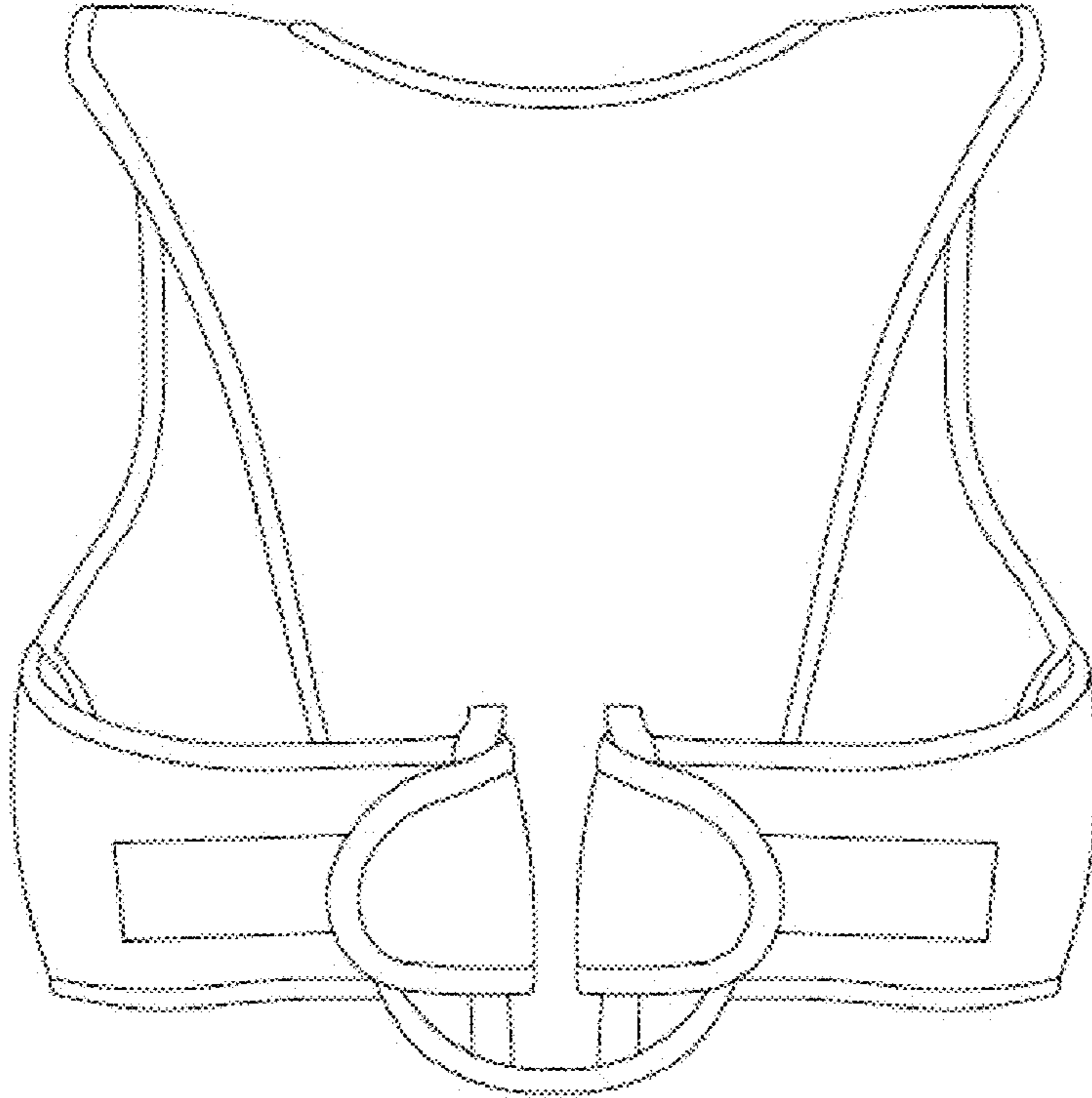


FIG. 5

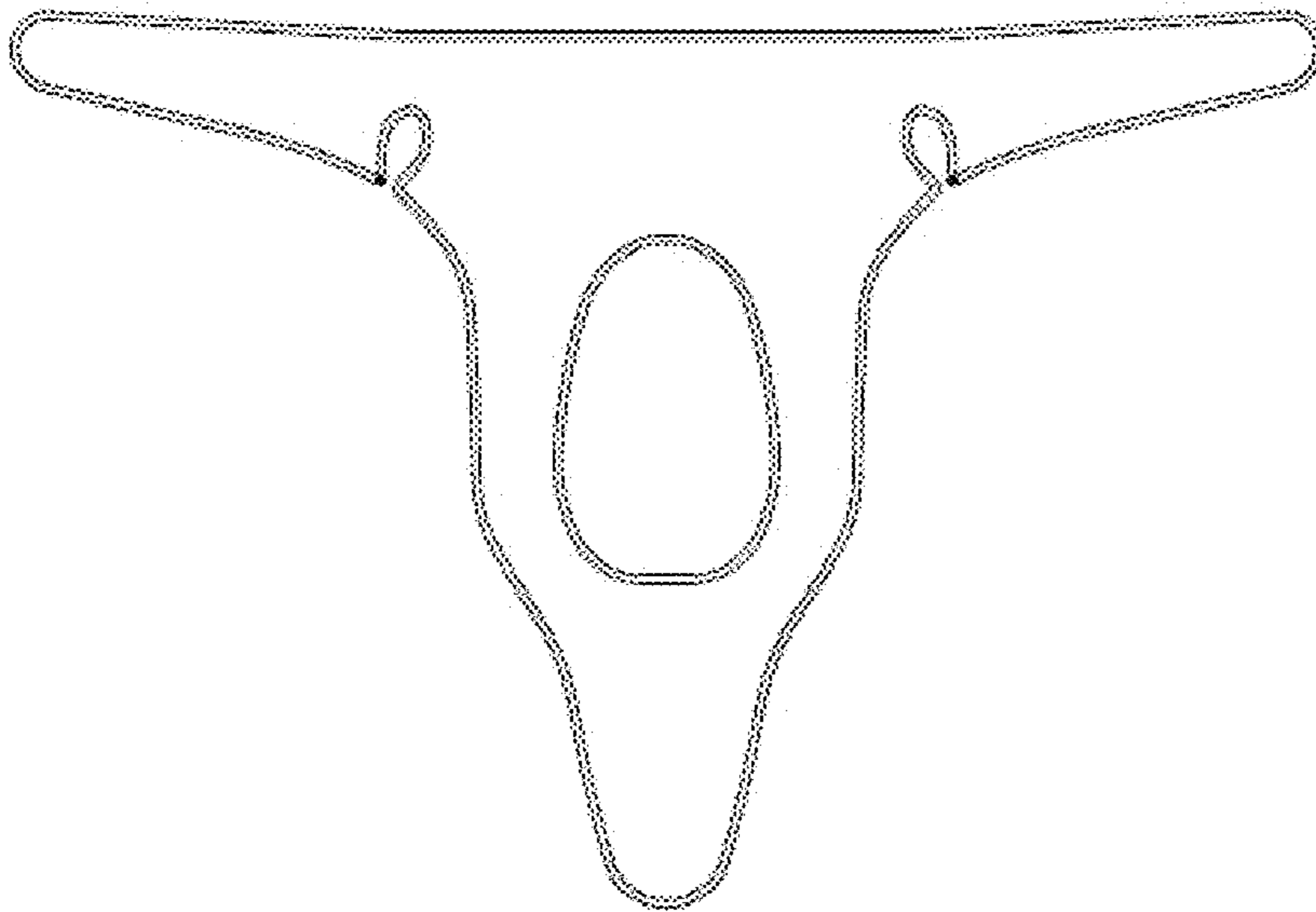


FIG. 6

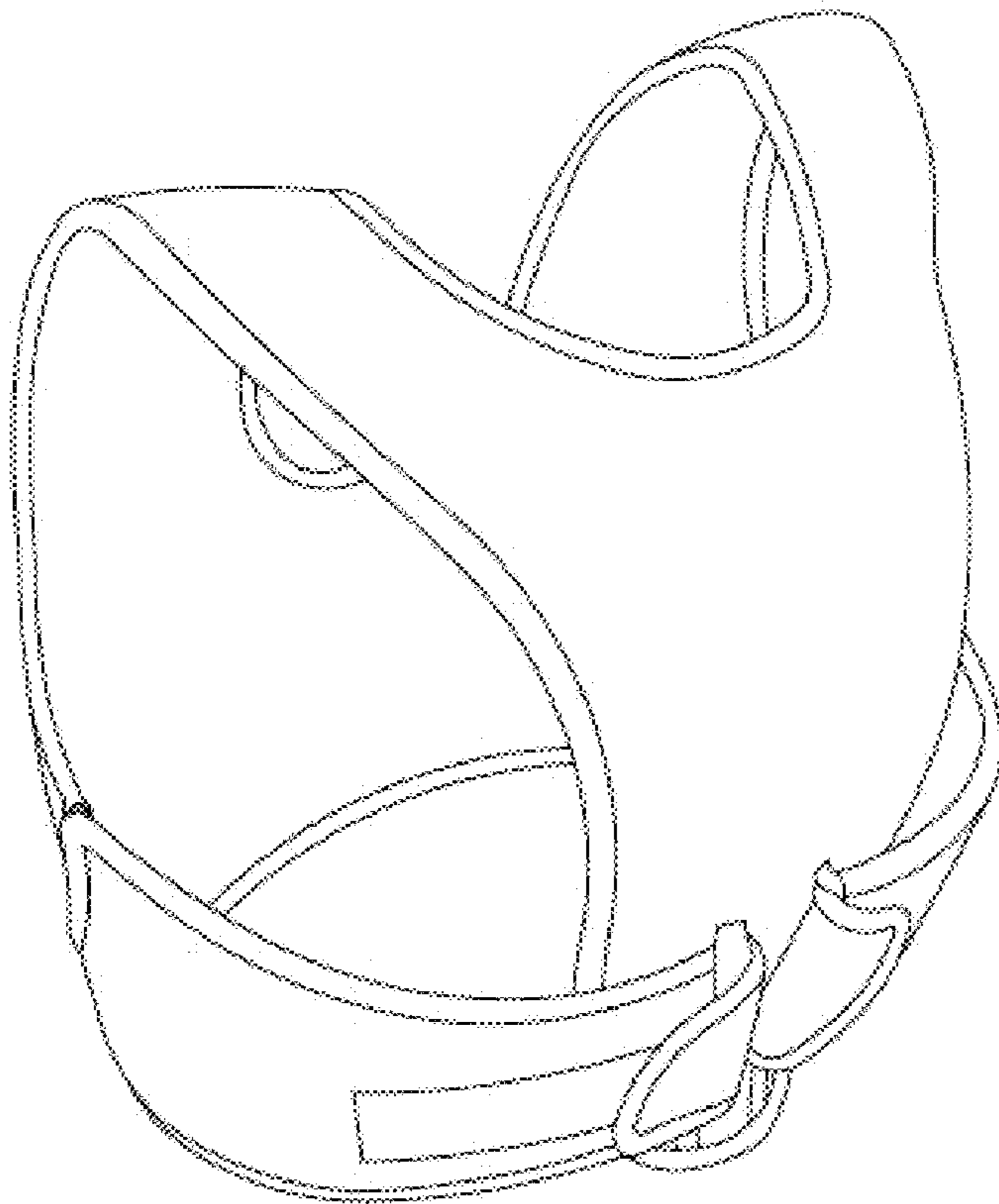


FIG. 7