



US00D810948S

(12) **United States Design Patent** (10) **Patent No.:** **US D810,948 S**  
**Wielunski et al.** (45) **Date of Patent:** **\*\* Feb. 20, 2018**

(54) **BIOMETRIC HEALTH DEVICE FOR ANIMALS**  
(71) Applicants: **Alan Wielunski**, Tel Aviv (IL); **Marton Miklos**, Budapest (HU); **Orsolya Korbacska-Kutasi**, Benye (HU)

D701,964 S \* 4/2014 Yoneta ..... D24/187  
D717,955 S \* 11/2014 Bishay ..... D24/167  
D726,567 S \* 4/2015 De Jong ..... D10/70  
D755,653 S \* 5/2016 Shinmei ..... D10/47  
D755,974 S \* 5/2016 Chen ..... D24/165  
D760,098 S \* 6/2016 Benoit ..... D10/70  
D783,838 S \* 4/2017 Zhao ..... D24/186

(72) Inventors: **Alan Wielunski**, Tel Aviv (IL); **Marton Miklos**, Budapest (HU); **Orsolya Korbacska-Kutasi**, Benye (HU)

**OTHER PUBLICATIONS**

Steed, posted at angel.co, no posting date given, [online], [site visited Dec. 18, 2017], available from internet: URL: https://angel.co/steed.\*

(\*\*) Term: **15 Years**

\* cited by examiner

(21) Appl. No.: **29/582,313**

(22) Filed: **Oct. 26, 2016**

*Primary Examiner* — Anhdao Doan

*Assistant Examiner* — Mary Malley

(51) **LOC (11) Cl.** ..... **24-01**

(52) **U.S. Cl.**  
USPC ..... **D24/186**

(57) **CLAIM**

(58) **Field of Classification Search**  
USPC ..... D24/186, 165, 169, 107, 133, 158, 187,  
D24/232; D10/46, 78, 104.1; D14/402,  
D14/408, 409

The ornamental design for a biometric health device for animals, as shown and described.

**DESCRIPTION**

CPC ... A61B 5/0064; A61B 5/0091; A61B 5/4312;  
A61B 2560/0431; A61B 2560/0456;  
A61B 2562/0247; A61B 8/4455; A61B  
8/4472; A61B 5/14532; A61B 5/0002;  
A61B 5/118; A61B 5/157; A61B 5/002;  
A61B 5/01; A61B 5/411; A61B 5/742;  
A61B 5/7465  
See application file for complete search history.

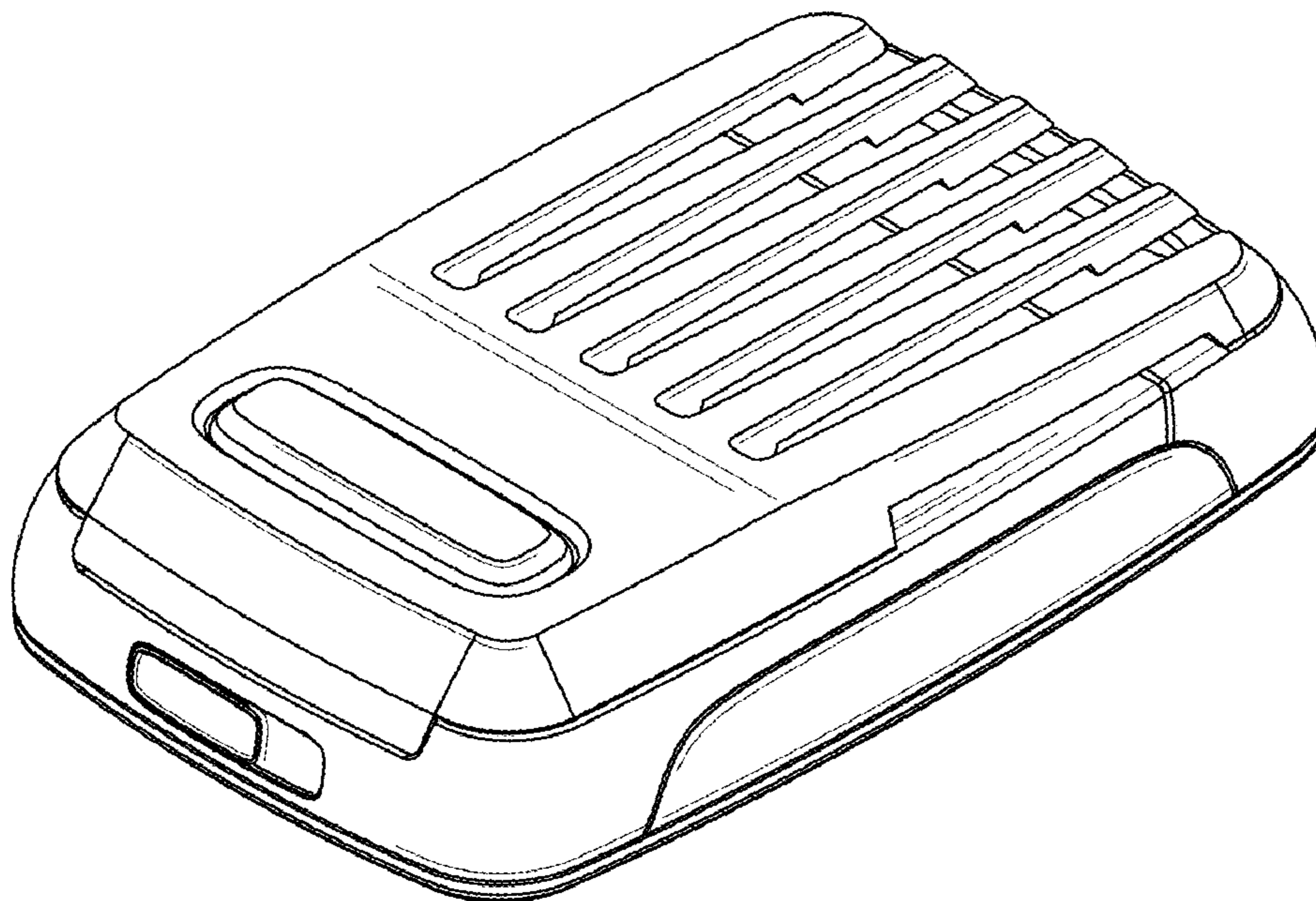
FIG. 1 is a bottom front perspective view of an ornamental design for a biometric health device for animals;  
FIG. 2 is a top rear perspective view thereof;  
FIG. 3 is a front elevation view thereof;  
FIG. 4 is a rear elevation view thereof;  
FIG. 5 is a right side elevation view thereof;  
FIG. 6 is a left side elevation view thereof;  
FIG. 7 is a top plan view thereof;  
FIG. 8 is a bottom view thereof; and,  
FIG. 9 is a bottom front perspective view thereof, showing the attachment element in an open position to expose profile of the attachment element.

(56) **References Cited**

**U.S. PATENT DOCUMENTS**

D554,759 S \* 11/2007 Barker ..... D24/186  
D608,451 S \* 1/2010 Hanoun ..... D24/186

**1 Claim, 9 Drawing Sheets**



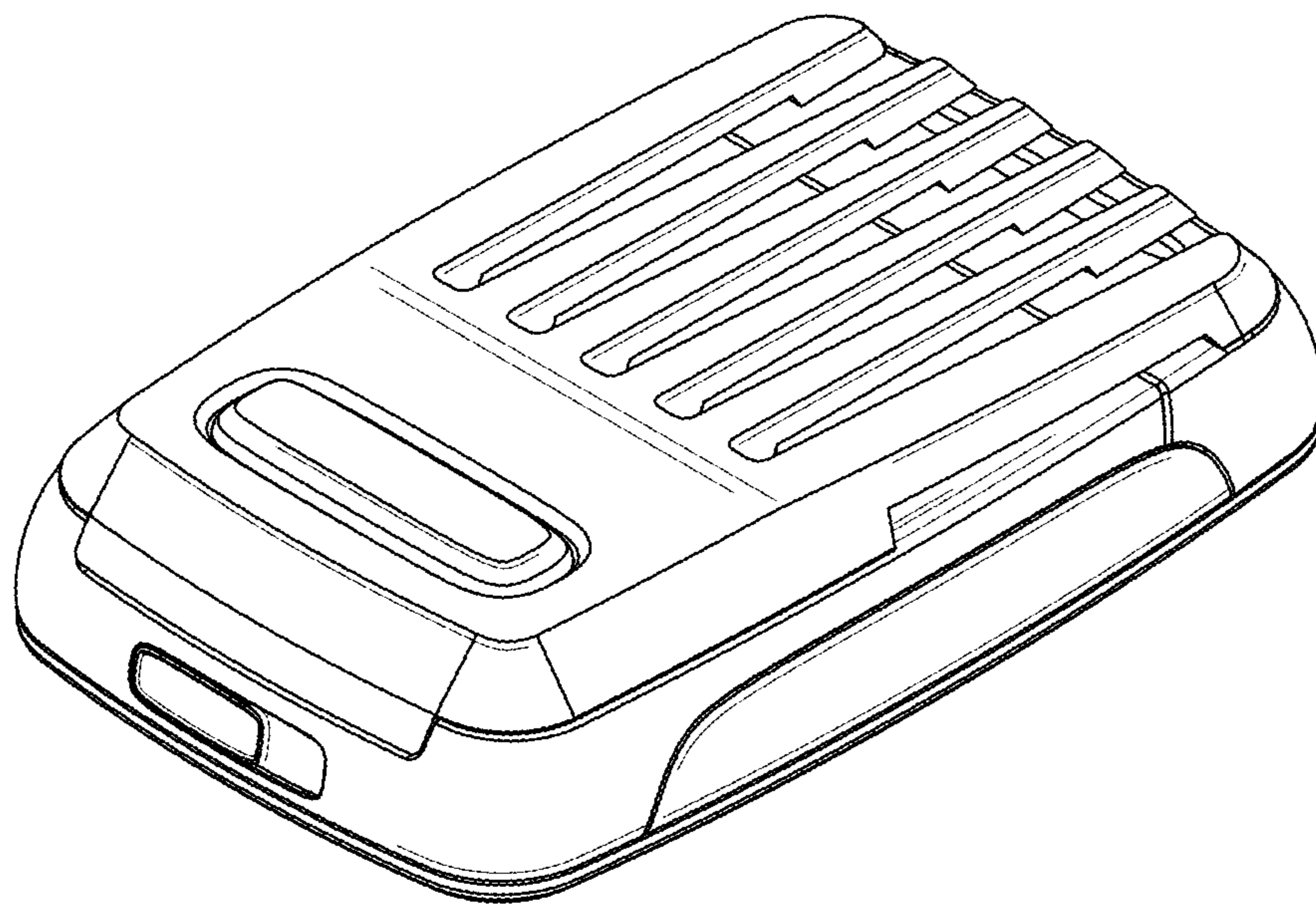


FIG. 1

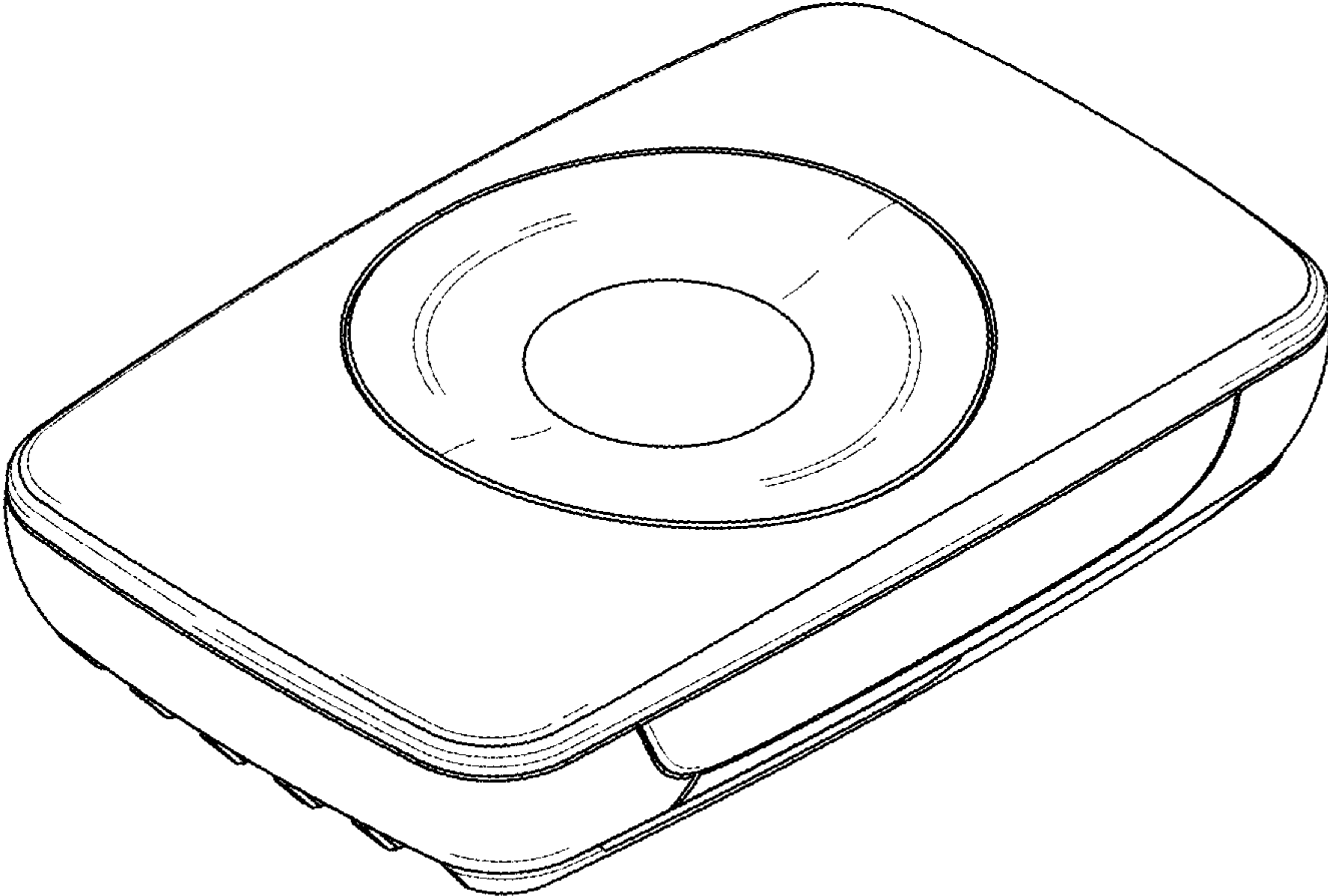


FIG. 2

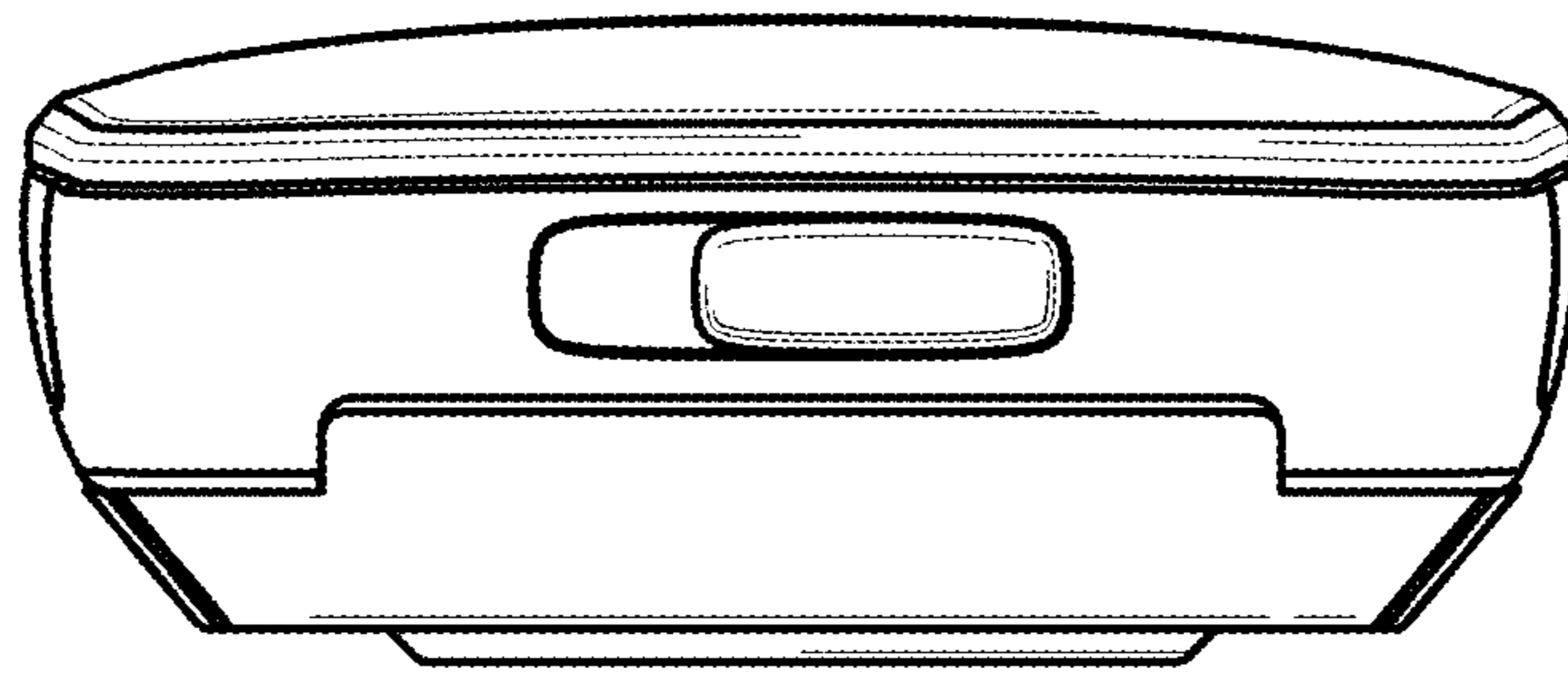


FIG. 3

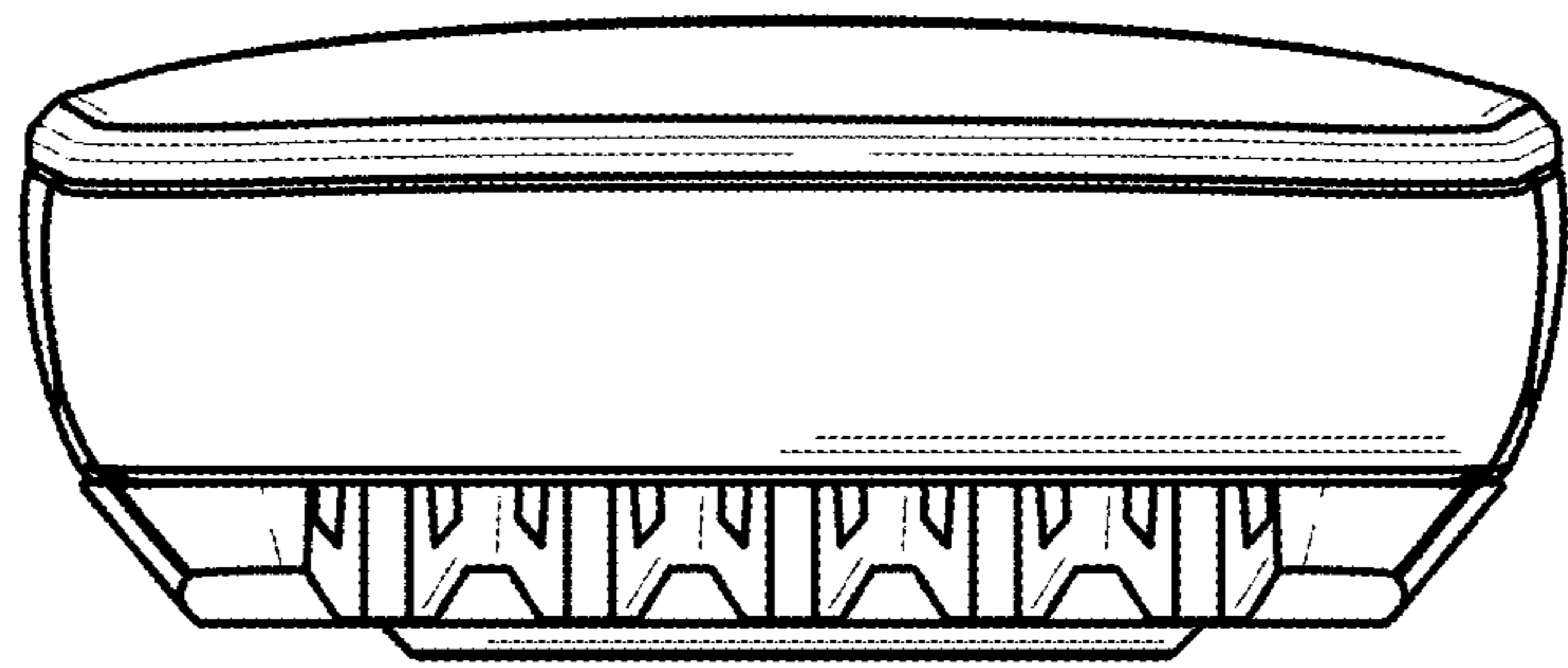


FIG. 4

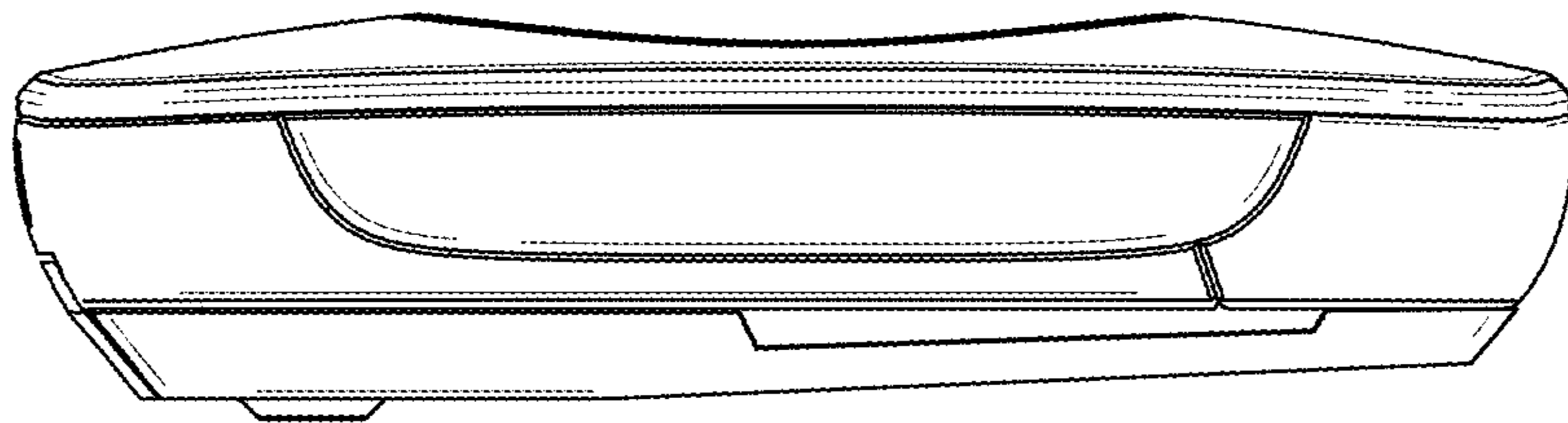


FIG. 5

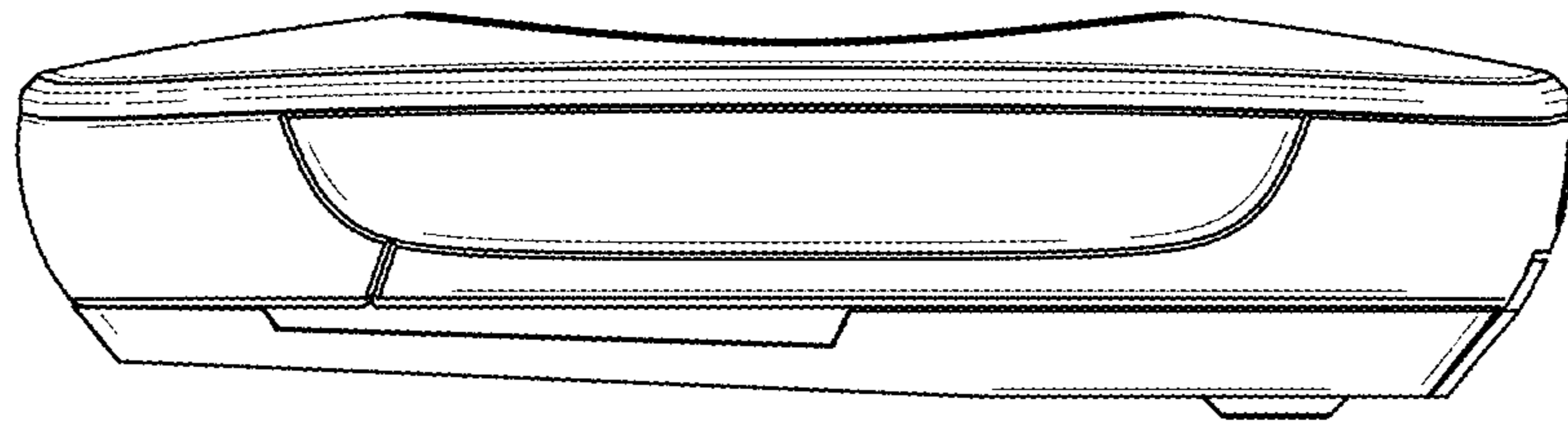


FIG. 6

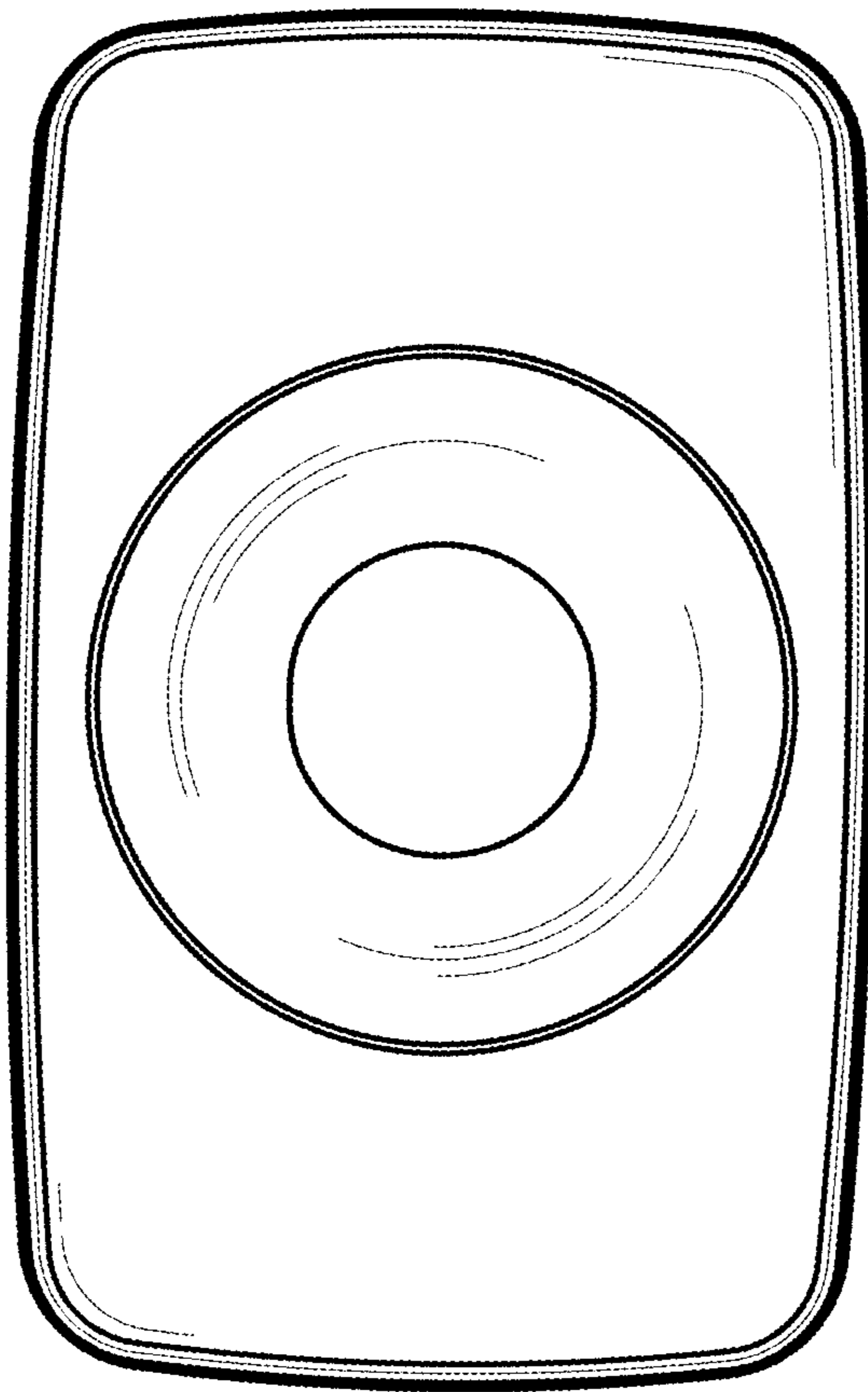


FIG. 7



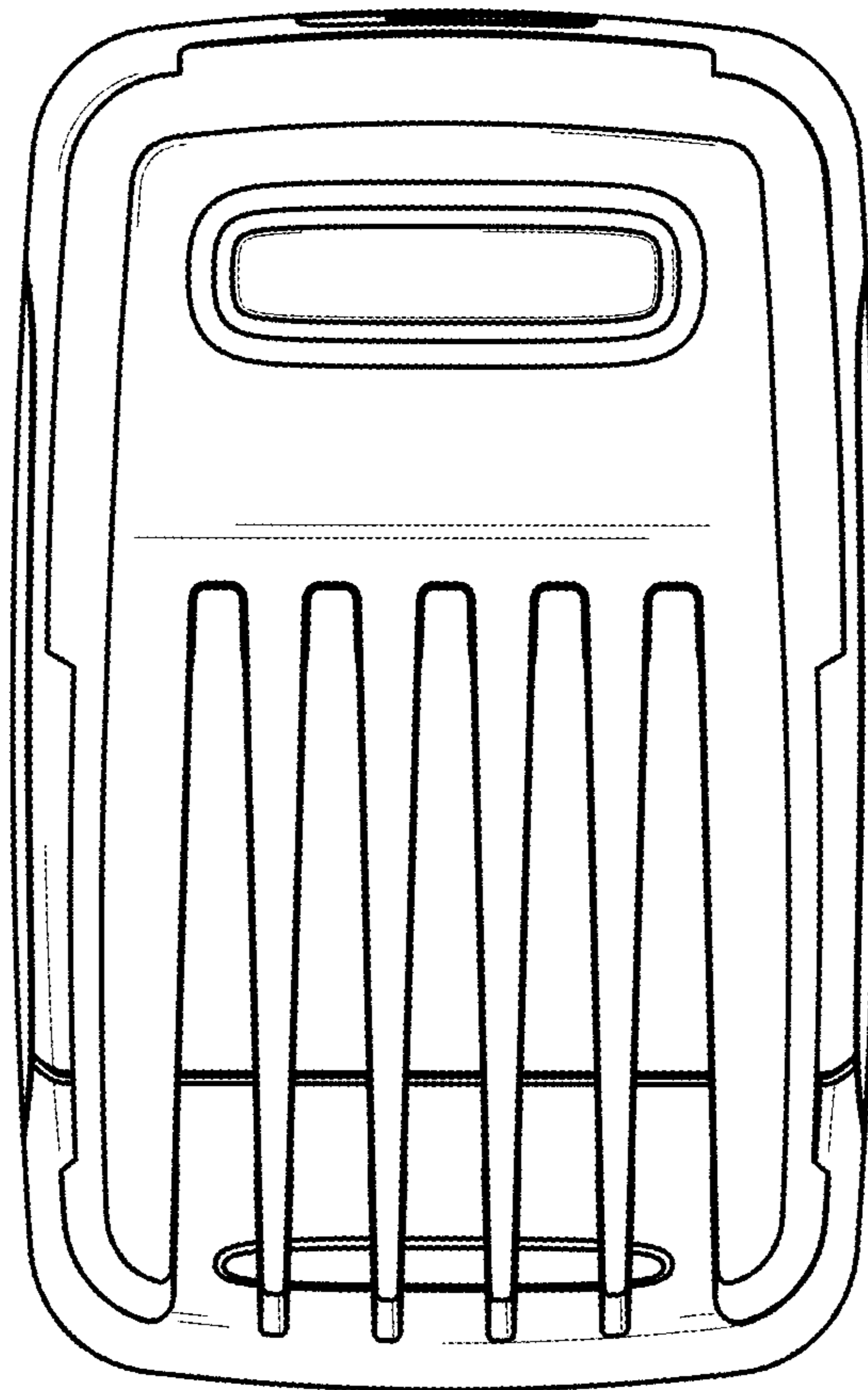


FIG. 8

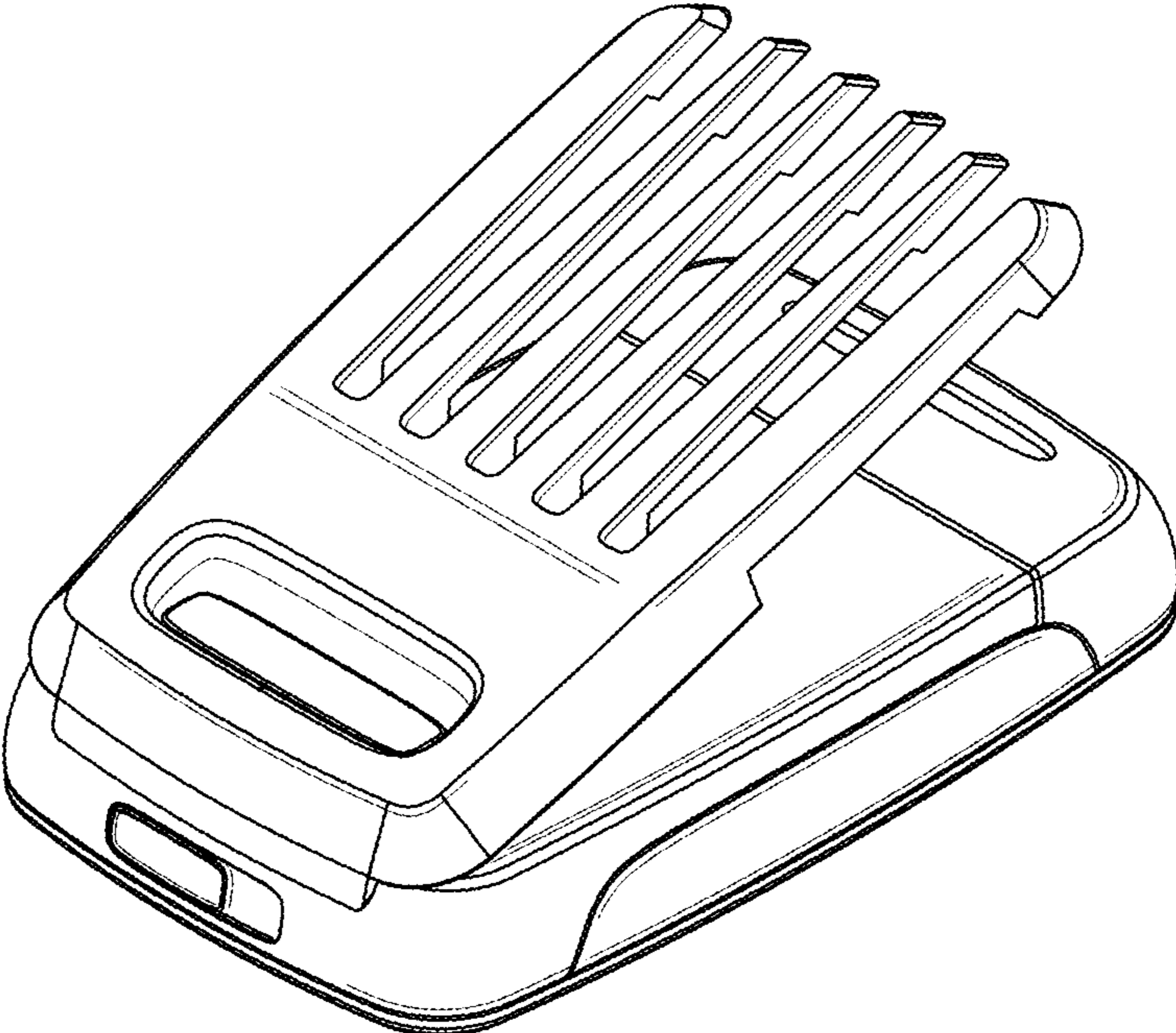


FIG. 9