



US00D810944S

(12) **United States Design Patent**  
**Goolkasian**

(10) **Patent No.:** **US D810,944 S**

(45) **Date of Patent:** **\*\* Feb. 20, 2018**

(54) **MOBILE CARDIAC SENSOR**

(71) Applicant: **Eko Devices, Inc.**, Berkeley, CA (US)

(72) Inventor: **Philip Goolkasian**, Berkeley, CA (US)

(\*\*) Term: **15 Years**

(21) Appl. No.: **29/566,812**

(22) Filed: **Jun. 2, 2016**

(51) **LOC (11) Cl.** ..... **24-02**

(52) **U.S. Cl.**  
USPC ..... **D24/167**

(58) **Field of Classification Search**  
USPC ..... D24/44, 121, 164–167, 185–186, 232;  
D10/46, 70, 75, 98, 122–126;  
D14/138 C, 138 R, 203.3, 215, 216, 228,  
D14/496, 507, 509; 600/301, 481–483,  
600/485, 493–495, 500, 503, 509;  
128/900  
CPC ..... A61N 1/39; A61N 1/3925; A61N 1/3968;  
A61B 5/00; A61B 5/0006; A61B 5/021;  
A61B 5/024; A61B 5/02438; A61B  
5/0255

See application file for complete search history.

(56) **References Cited**

**U.S. PATENT DOCUMENTS**

D479,712 S *	9/2003	Ng	.....	D14/203.3
D557,624 S *	12/2007	Coster	.....	D10/70
D559,266 S *	1/2008	Oh	.....	D14/496
D584,974 S *	1/2009	Fukuda	.....	D10/70
D595,415 S *	6/2009	Fukuzawa	.....	D24/186
D602,466 S *	10/2009	Hibino	.....	D14/203.3
D659,836 S *	5/2012	Bensch	.....	D24/167
D682,718 S *	5/2013	Azuma	.....	D10/70
D688,706 S *	8/2013	Lee	.....	D14/496

D693,710 S *	11/2013	Bachel	.....	D10/106.6
D744,109 S *	11/2015	Yoneta	.....	D24/186
D752,229 S *	3/2016	Chen	.....	D24/165
D755,974 S *	5/2016	Chen	.....	D24/165
D760,903 S *	7/2016	Lin	.....	D24/165
D761,434 S *	7/2016	Nelson	.....	D24/186
2005/0209523 A1 *	9/2005	Umeda	.....	A61B 5/0404 600/509

**OTHER PUBLICATIONS**

Portable ECG Monitor FL10/PM10 with Bluetooth Wireless Transmission Dec. 28, 2016; Retrieved from [http://www.pulseoximeter.org/fl10.html?utm\\_source=googlepepla&utm\\_medium=adwords&id=18283950120](http://www.pulseoximeter.org/fl10.html?utm_source=googlepepla&utm_medium=adwords&id=18283950120); Retrieved on Jun. 5, 2017.\*

\* cited by examiner

*Primary Examiner* — Wan Laymon

*Assistant Examiner* — Clint A Samuel

(74) *Attorney, Agent, or Firm* — Brad Bertoglio

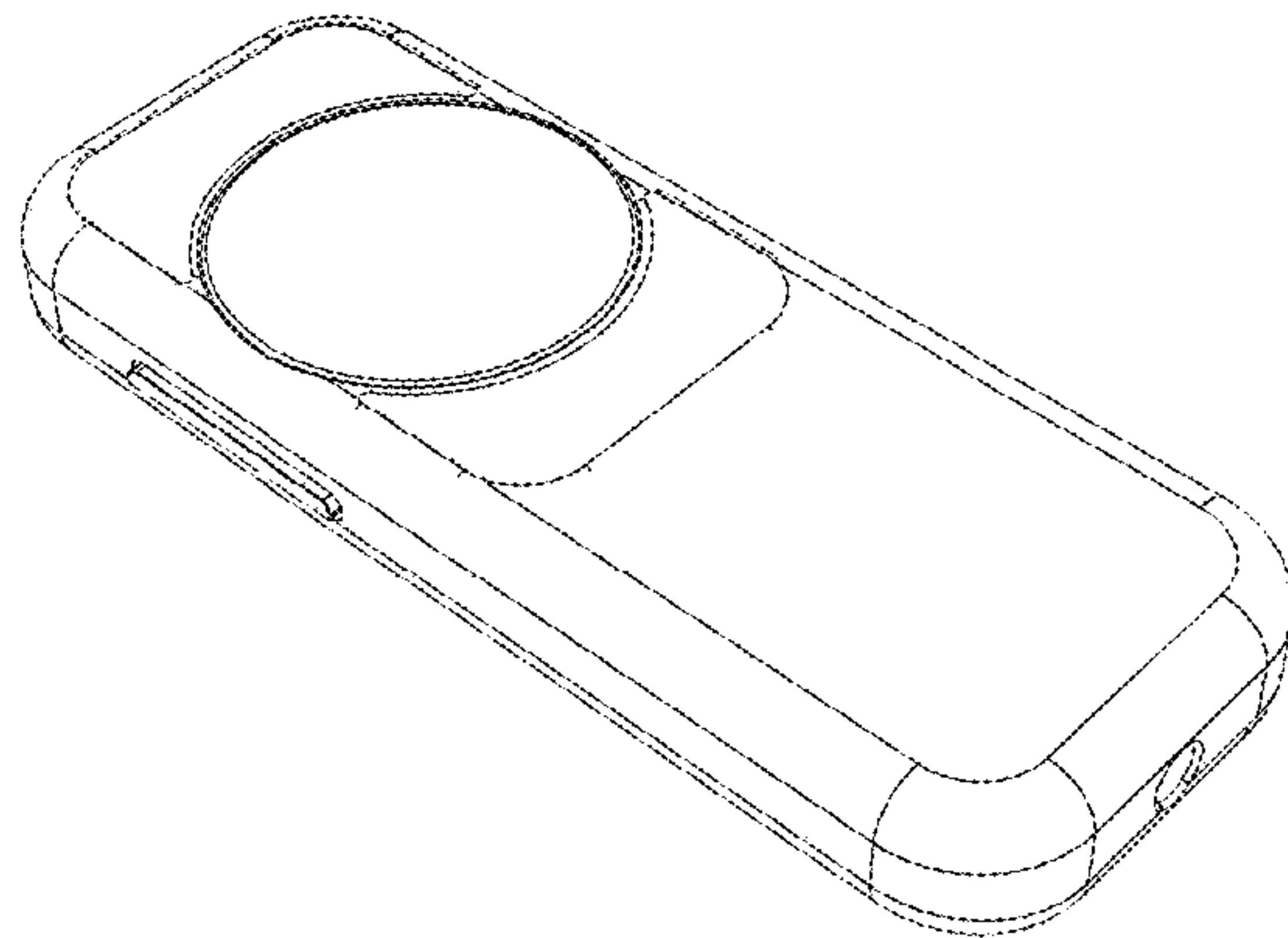
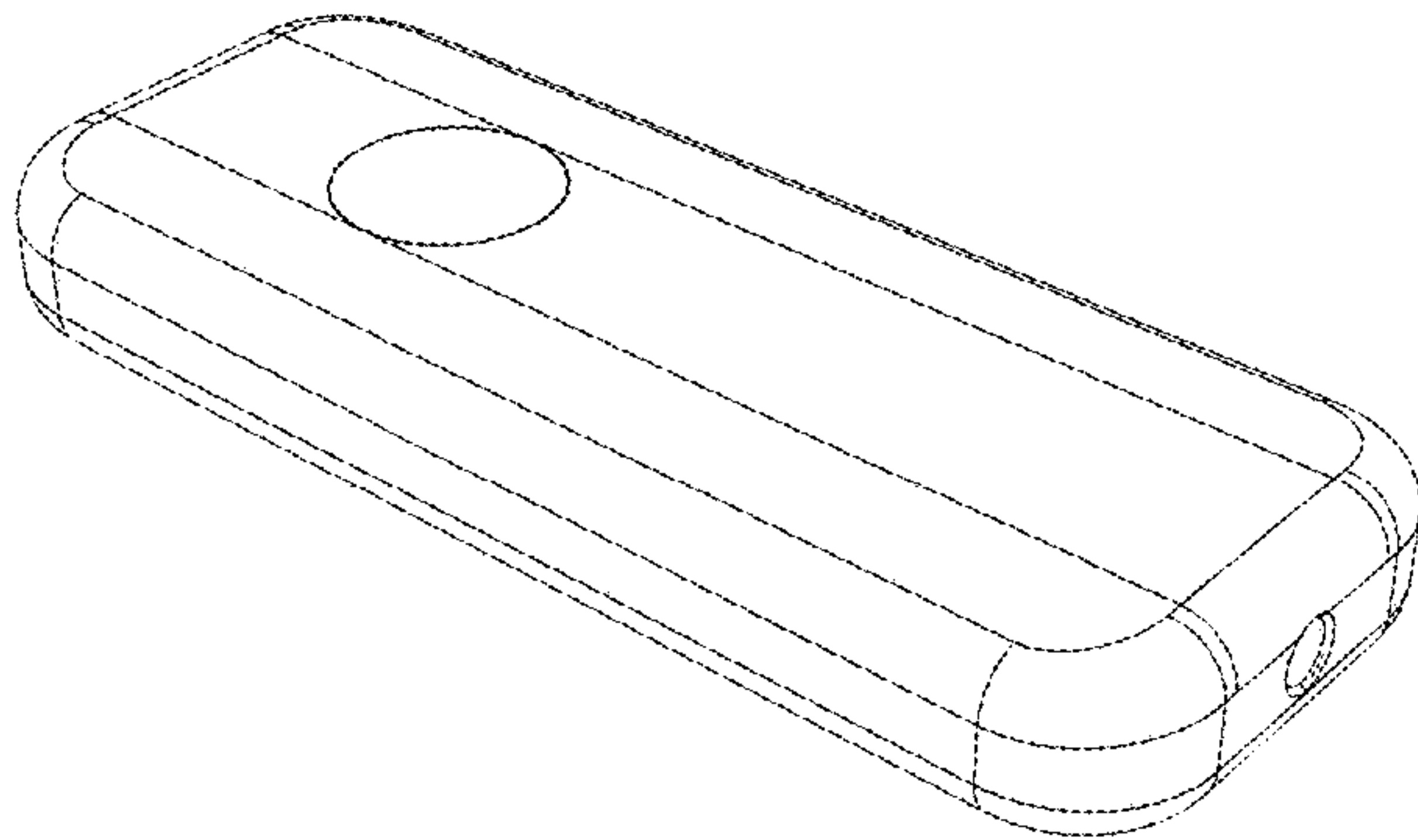
(57) **CLAIM**

The ornamental design for a mobile cardiac sensor, as shown and described.

**DESCRIPTION**

FIG. 1 is a front perspective view of a mobile cardiac sensor showing my new design;  
FIG. 2 is a front view thereof;  
FIG. 3 is a rear perspective view thereof;  
FIG. 4 is a rear view thereof;  
FIG. 5 is a top view thereof;  
FIG. 6 is a bottom view thereof;  
FIG. 7 is a left view thereof; and,  
FIG. 8 is a right view thereof.  
Portions of the mobile cardiac sensor shown in broken lines form no part of the claimed design.

**1 Claim, 7 Drawing Sheets**



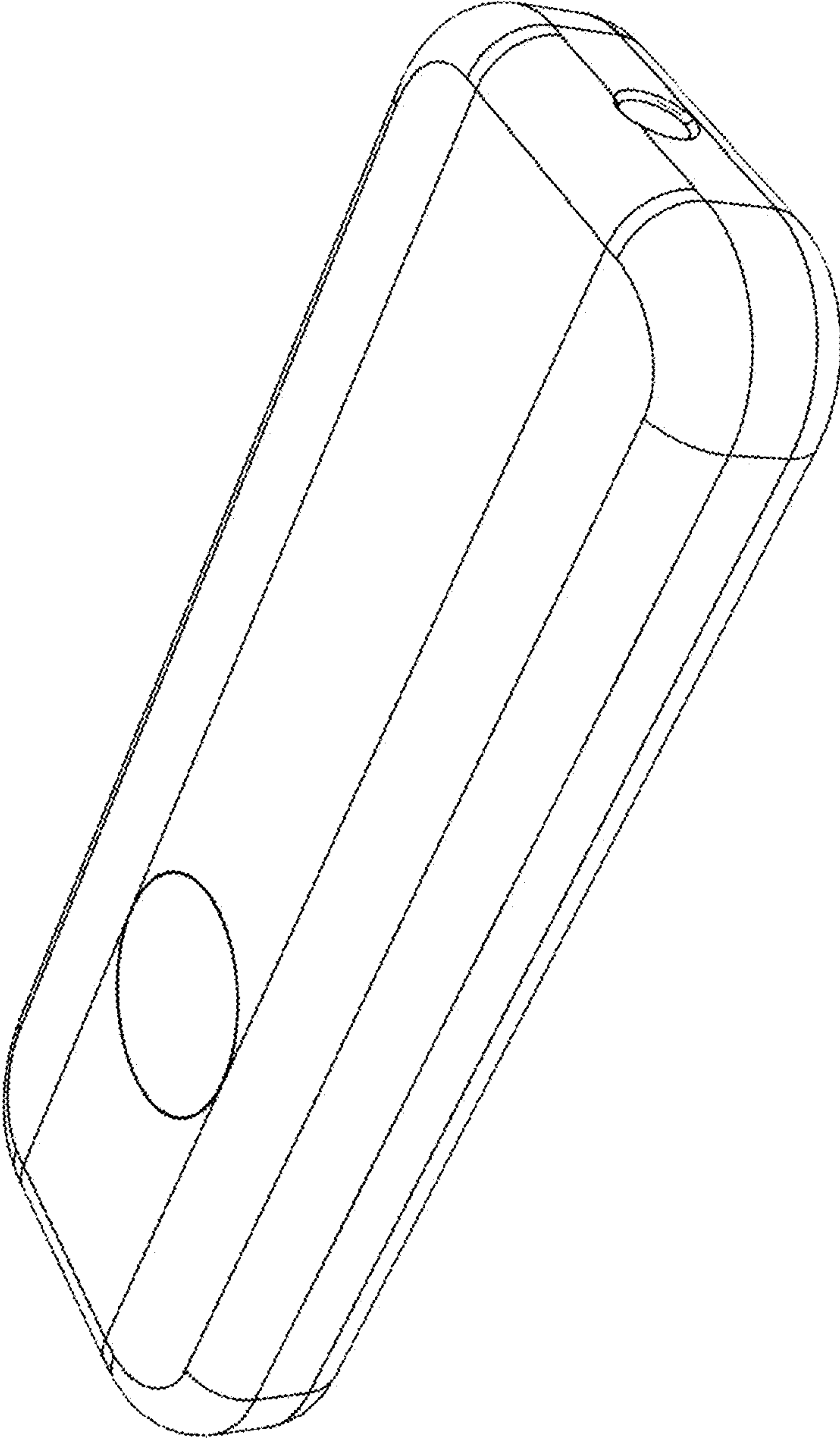


FIG. 1

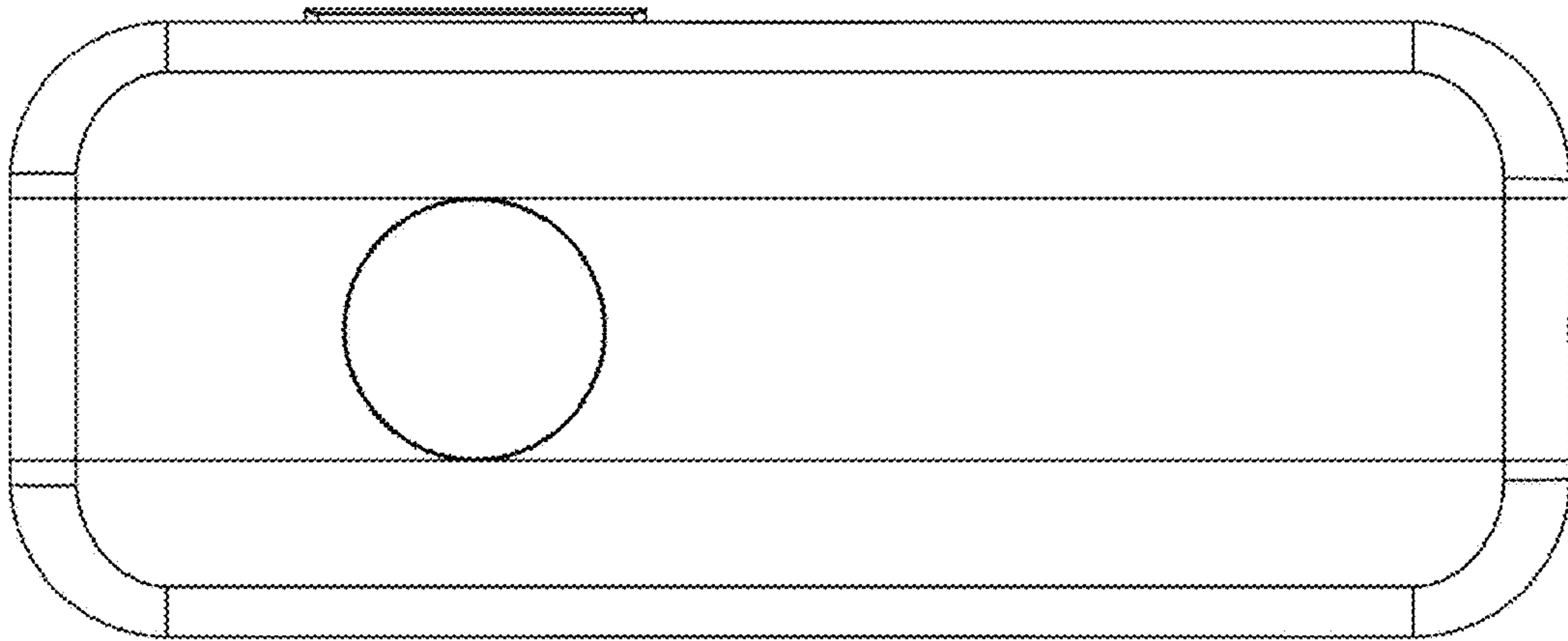


FIG. 2

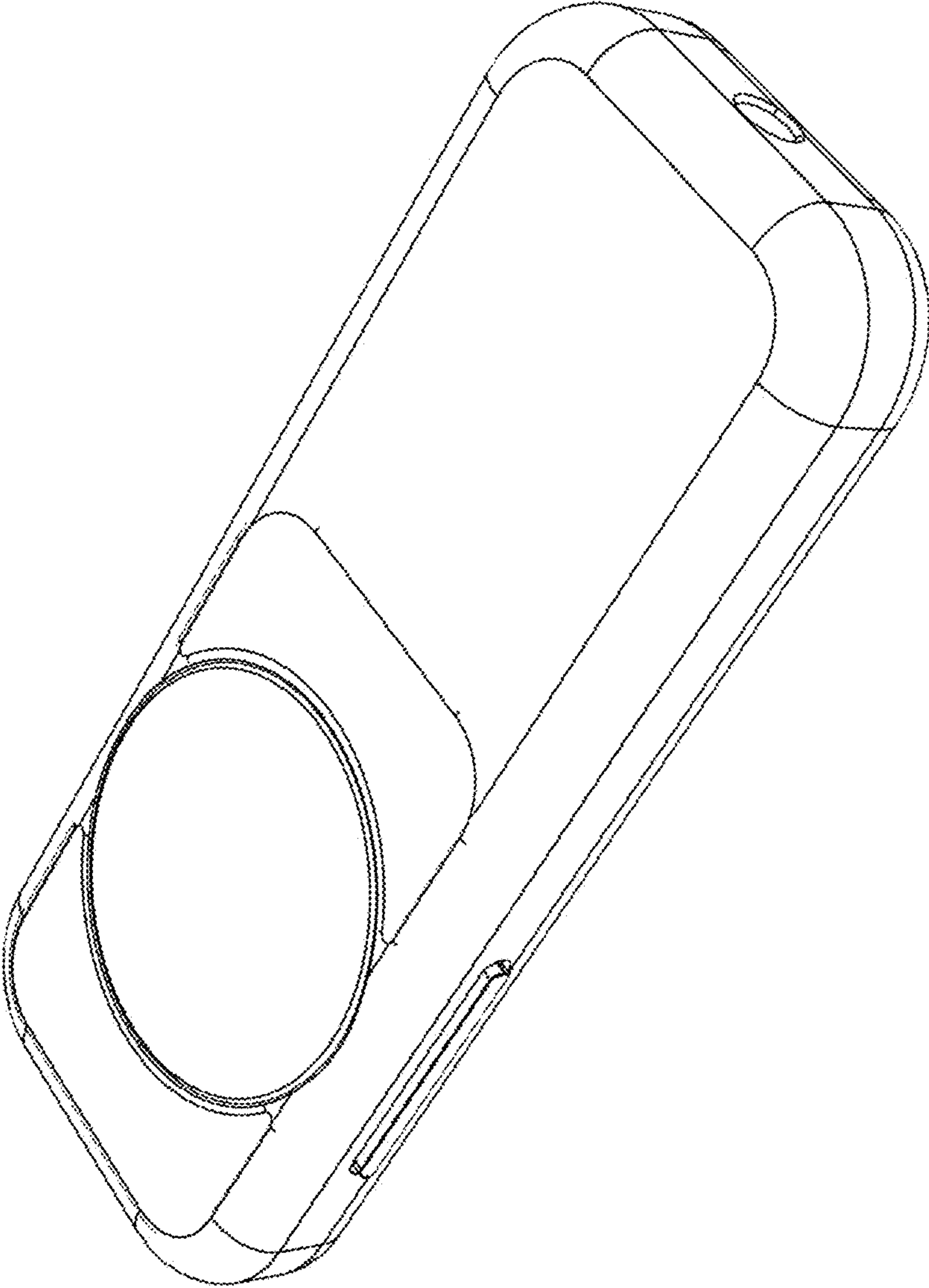


FIG. 3

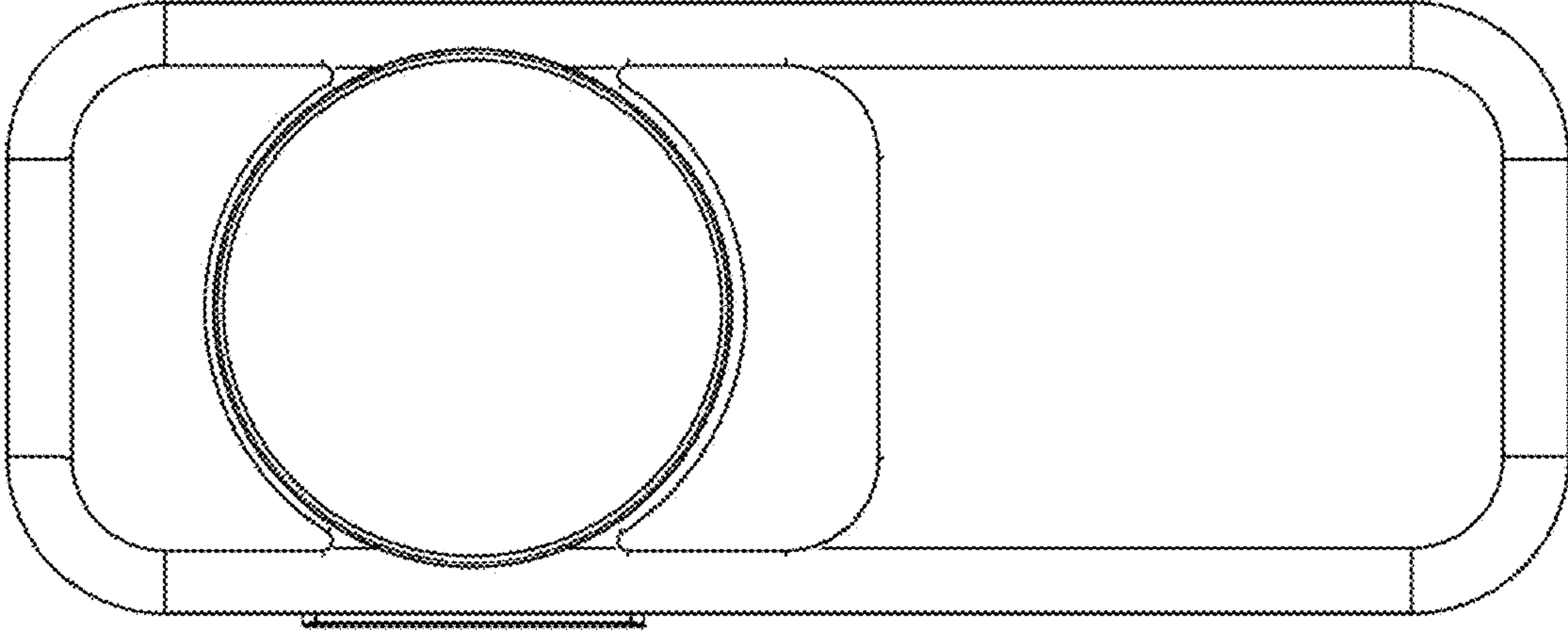


FIG. 4

FIG. 5

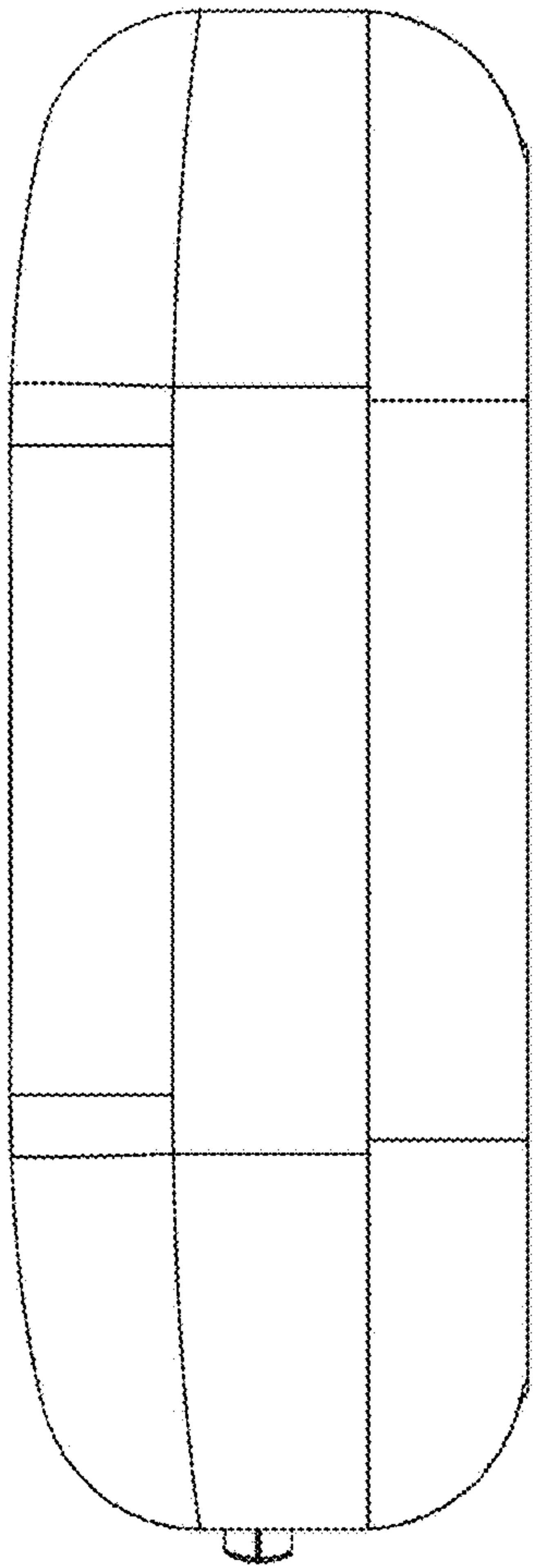
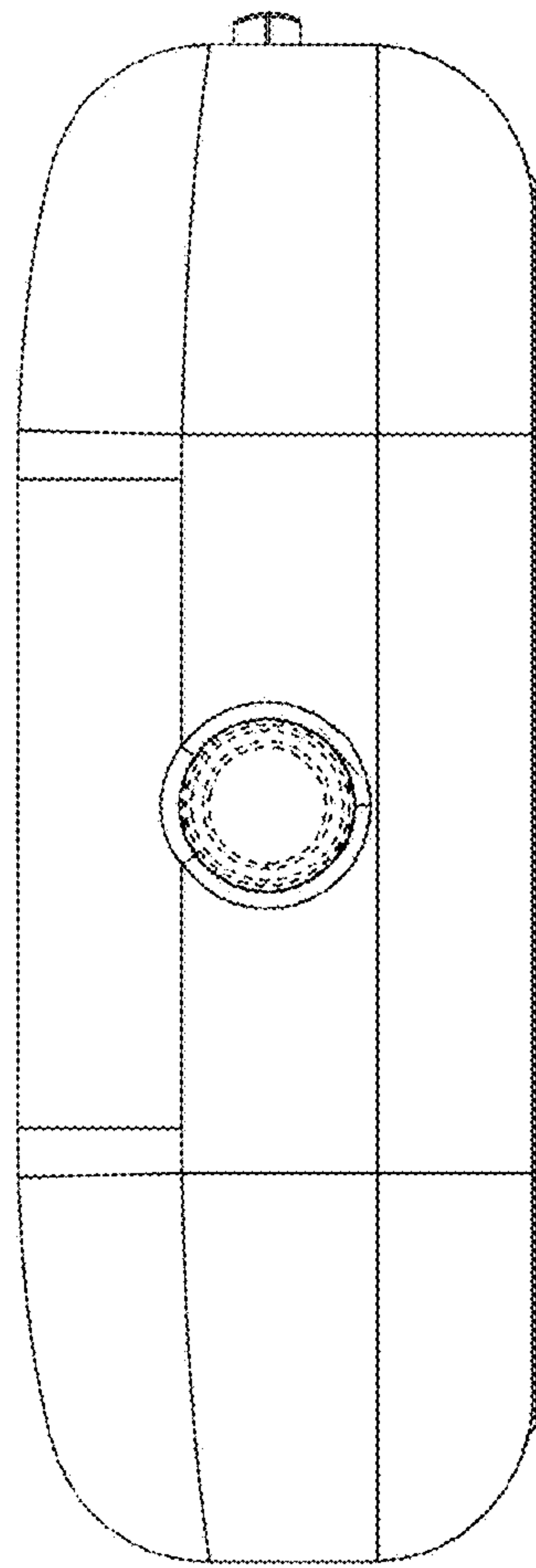


FIG. 6





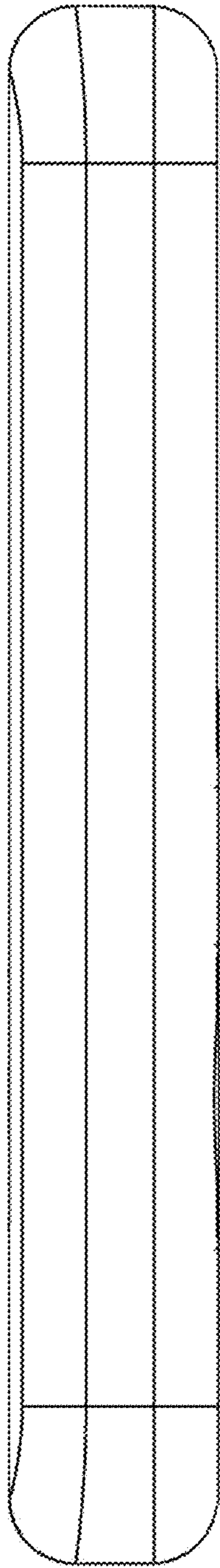


FIG. 7

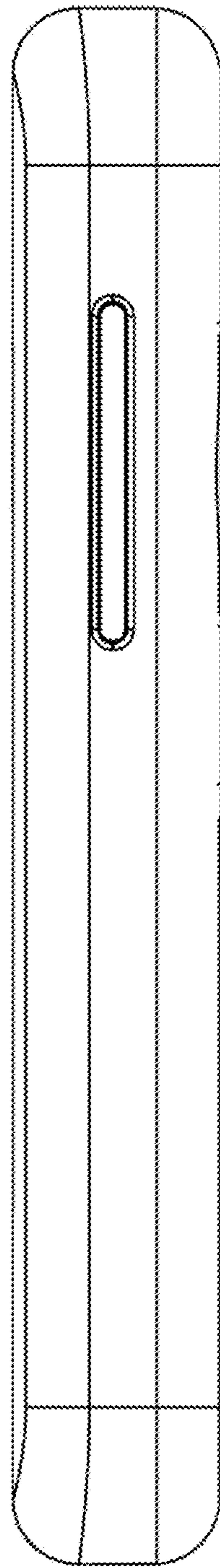


FIG. 8

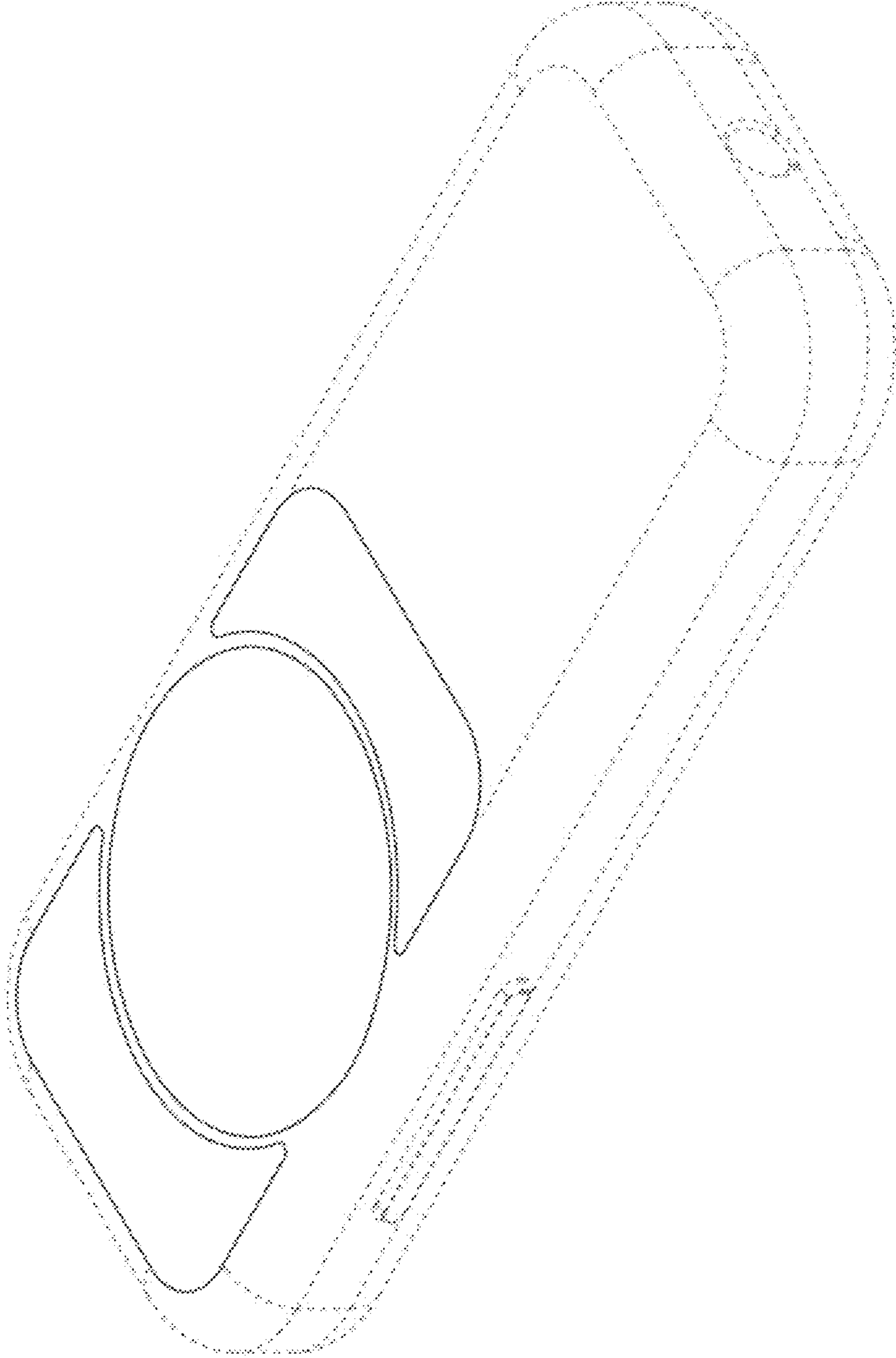


FIG. 9



UNITED STATES PATENT AND TRADEMARK OFFICE  
**CERTIFICATE OF CORRECTION**

PATENT NO. : D810,944 S  
APPLICATION NO. : 29/566812  
DATED : February 20, 2018  
INVENTOR(S) : Philip Goolkasian

Page 1 of 1

It is certified that error appears in the above-identified patent and that said Letters Patent is hereby corrected as shown below:

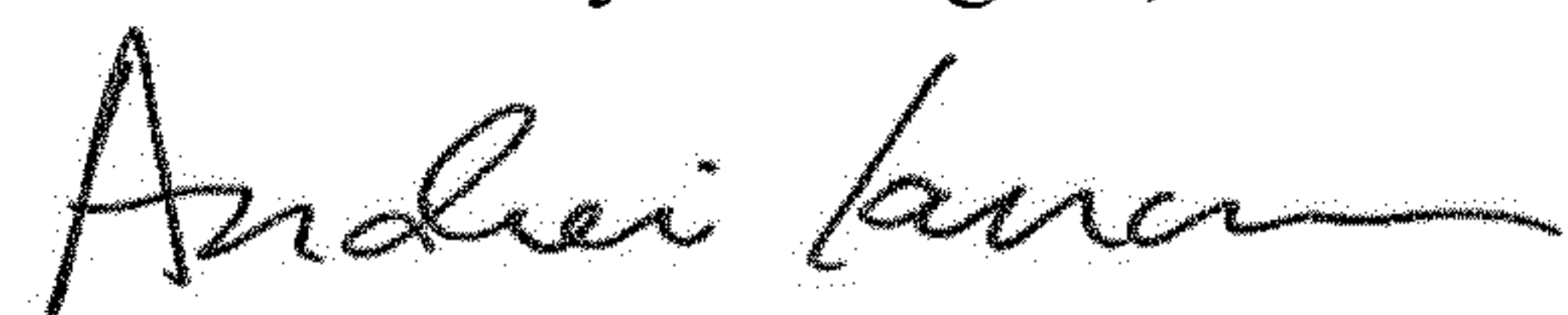
On the Title Page

Under Description delete "1 Claim, 7 Drawing Sheets", please insert: --1 Claim, 6 Drawing Sheets--

In the Drawings

Fig. 9 should be deleted

Signed and Sealed this  
Sixth Day of August, 2019



Andrei Iancu  
*Director of the United States Patent and Trademark Office*