



US00D810943S

(12) **United States Design Patent** (10) **Patent No.:** **US D810,943 S**
Ballsieper (45) **Date of Patent:** **** Feb. 20, 2018**

(54) **X-RAY SHIELD** 6,703,632 B1 3/2004 MacKlis
6,779,767 B2 * 8/2004 Kuhn F16M 11/08
248/276.1
(71) Applicant: **Mavig GmbH**, München (DE) D504,194 S 4/2005 Canavan
D534,003 S * 12/2006 McNally D6/300
(72) Inventor: **Barbara Ballsieper**, München (DE) D556,324 S 11/2007 Oddsdottir et al.
(73) Assignee: **Mavig GmbH**, München (DE) (Continued)

(**) Term: **15 Years**

(21) Appl. No.: **29/561,676**

(22) Filed: **Apr. 19, 2016**

(51) **LOC (11) Cl.** **24-01**

(52) **U.S. Cl.**
USPC **D24/158**

(58) **Field of Classification Search**
USPC D24/107, 158–161, 185, 186, 187, 231;
D29/100, 104–107
CPC .. A61B 6/107; G21F 3/00; G21F 3/02; G21Y
2002/501; A61N 2005/1094
See application file for complete search history.

(56) **References Cited**

U.S. PATENT DOCUMENTS

- 1,636,419 A 7/1927 Hollander
- 2,105,028 A * 1/1938 Dickhoff A42B 3/22
2/421
- 2,239,223 A 4/1941 Gilman
- 2,794,128 A 5/1957 Shasky
- D238,615 S 1/1976 Maier
- D241,378 S 9/1976 Burger
- D249,278 S 9/1978 Milligan
- 4,196,355 A 4/1980 Maine
- 4,254,341 A 3/1981 Herr et al.
- D259,139 S 5/1981 Johnson
- 4,386,277 A * 5/1983 Forshee G21F 3/02
2/9
- D300,945 S 5/1989 Fleming et al.
- 4,923,162 A 5/1990 Fleming
- D310,905 S 10/1990 Marchione
- D349,577 S 8/1994 Sayles
- D424,198 S 5/2000 Shepherd et al.

FOREIGN PATENT DOCUMENTS

- CN 201375521 Y 1/2010
- JP 2000-166916 A 6/2000
- KR 10-2012-0084574 7/2012

OTHER PUBLICATIONS

Radiation Protection Shields & Drapes of the company Radpad, USA (www.radpad.com), 3 pages.
(Continued)

Primary Examiner — Anhdao Doan
(74) *Attorney, Agent, or Firm* — Nixon & Vanderhye P.C.

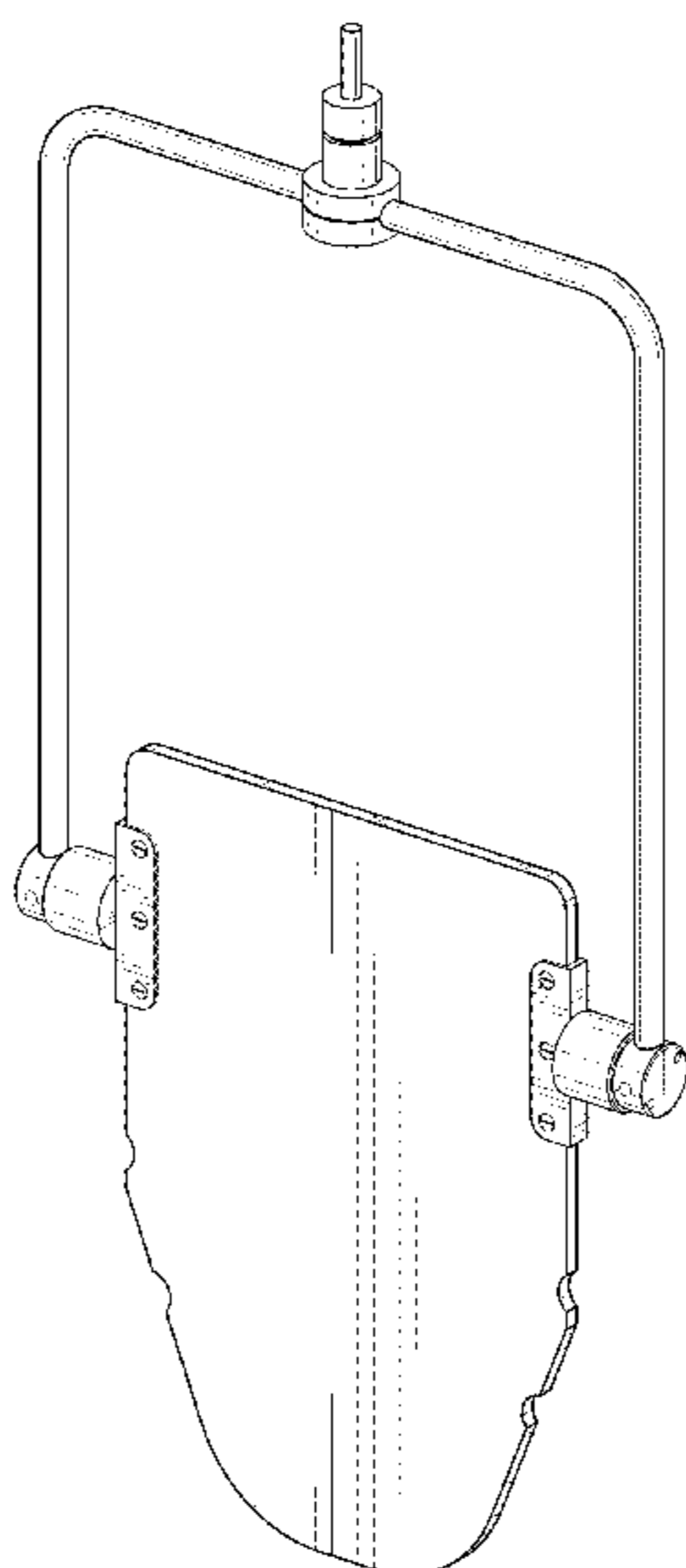
(57) **CLAIM**

The ornamental design for an x-ray shield, as shown and described.

DESCRIPTION

FIG. 1 is a front perspective view of an x-ray shield showing a first embodiment of my new design;
FIG. 2 is a front view thereof;
FIG. 3 is a top view thereof;
FIG. 4 is a bottom view thereof;
FIG. 5 is a side view thereof;
FIG. 6 is a front perspective view of an x-ray shield showing a second embodiment of my new design;
FIG. 7 is a front view thereof;
FIG. 8 is a top view thereof;
FIG. 9 is a bottom view thereof; and,
FIG. 10 is a side view thereof.

1 Claim, 8 Drawing Sheets



(56)

References Cited

U.S. PATENT DOCUMENTS

7,294,845 B2 11/2007 Ballsieper
 D569,044 S 5/2008 Crye
 D569,046 S * 5/2008 Crye D29/100
 7,608,847 B2 10/2009 Rees
 7,744,278 B2 6/2010 Barkow et al.
 D629,109 S 12/2010 Phillips
 D629,110 S 12/2010 Brettle et al.
 D639,076 S * 6/2011 Fukui D16/235
 D716,449 S 10/2014 Ballsieper
 D751,710 S 3/2016 Ballsieper
 D772,415 S * 11/2016 Ballsieper D24/158
 D775,340 S * 12/2016 Ballsieper D24/158
 2009/0323892 A1 12/2009 Hitzke
 2012/0186590 A1 7/2012 Byers
 2013/0270462 A1 10/2013 Beck
 2013/0299723 A1 11/2013 Murase
 2015/0041686 A1 2/2015 Pizarro
 2017/0004895 A1 * 1/2017 Holman A61B 6/107

OTHER PUBLICATIONS

Radiation Protection Covers, Kenex, Great Britain, www.kenex.co.uk.

Radiation Protection Covers, Aadco, U.S.A., www.aadcomed.com.

Radiation Protection Covers, Beijing Huaren, China, bjuaren.com.

Radiation Protection Covers, Mavig, USA.

U.S. Appl. No. 29/466,485, filed Sep. 9, 2013, Ballsieper.

U.S. Appl. No. 29/502,311, filed Sep. 15, 2014, Ballsieper.

U.S. Appl. No. 29/503,390, filed Sep. 25, 2014, Ballsieper.

U.S. Appl. No. 29/553,475, filed Feb. 2, 2016, Ballsieper.

U.S. Appl. No. 29/556,915, filed Mar. 4, 2016, Ballsieper et al.

* cited by examiner

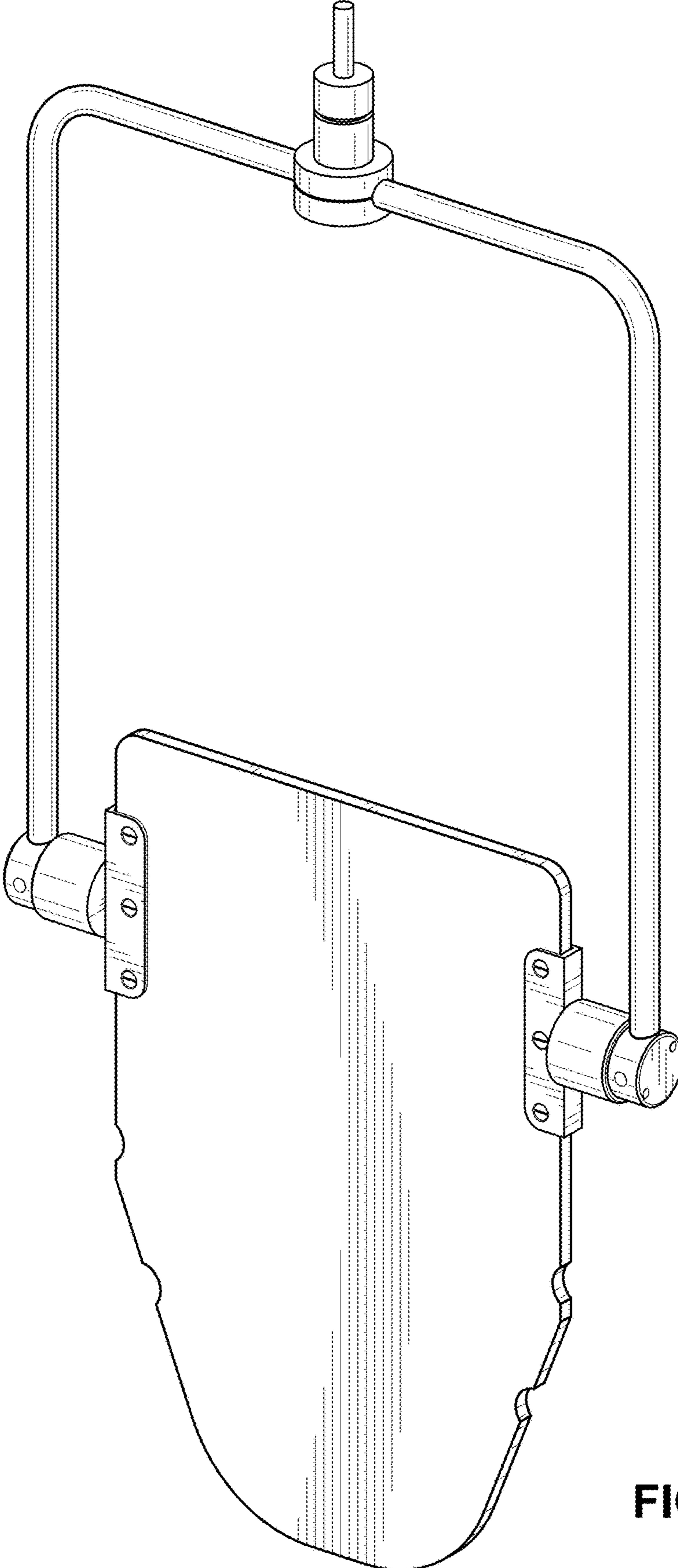


FIG. 1

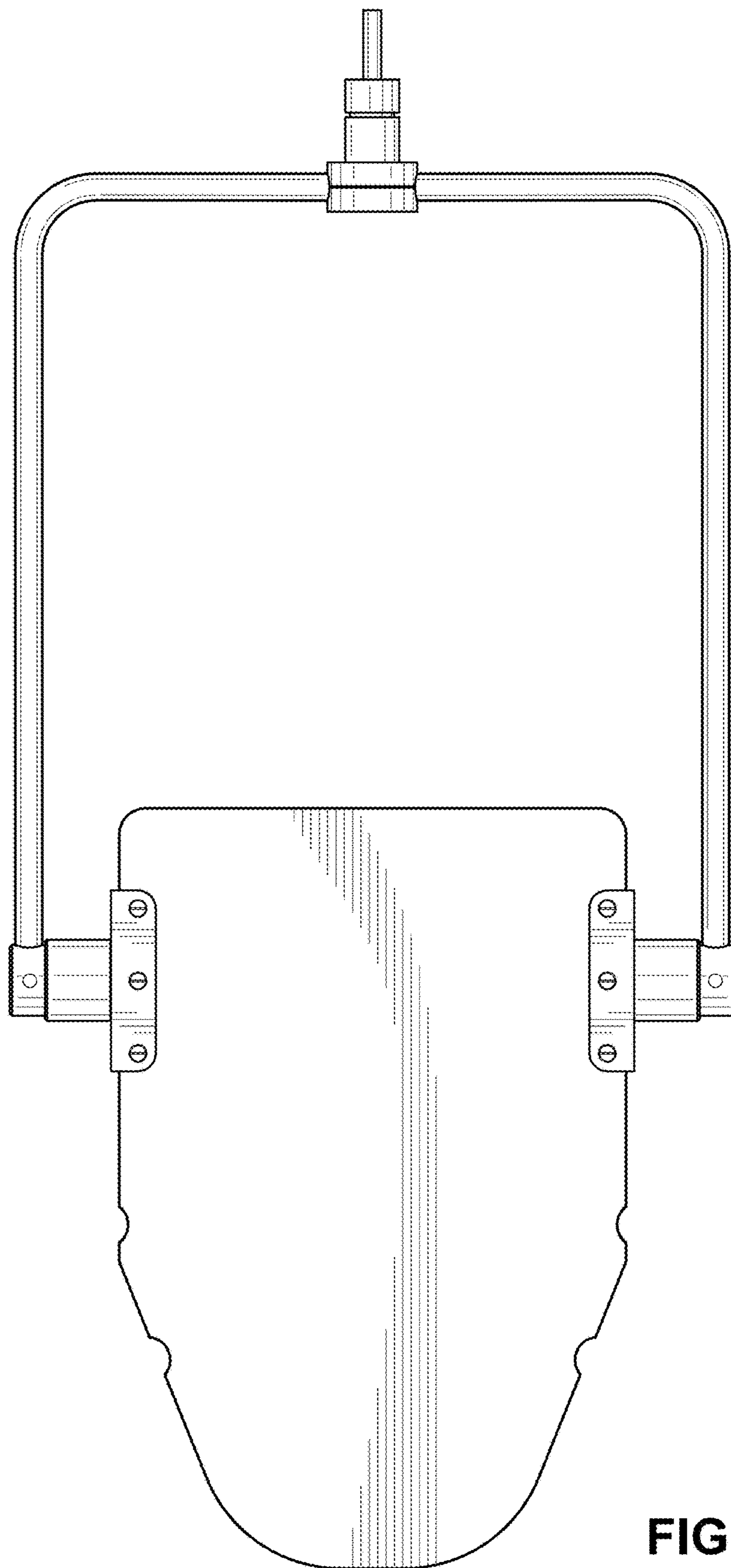


FIG. 2

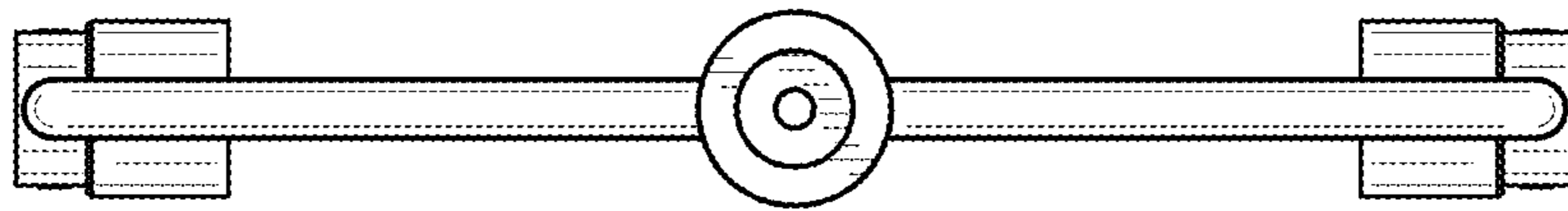


FIG. 3

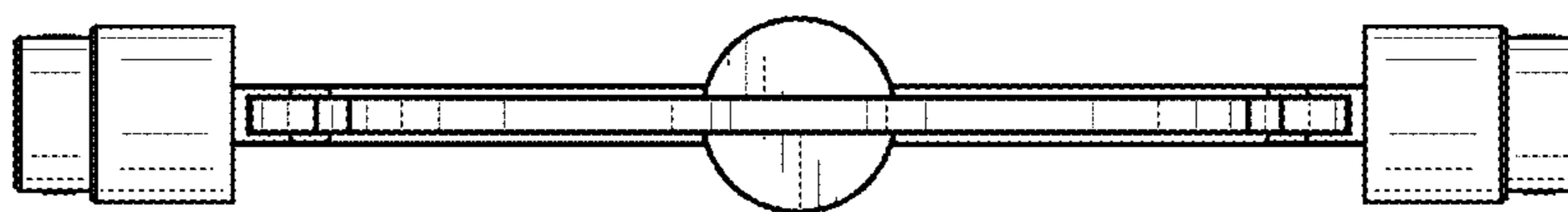


FIG. 4

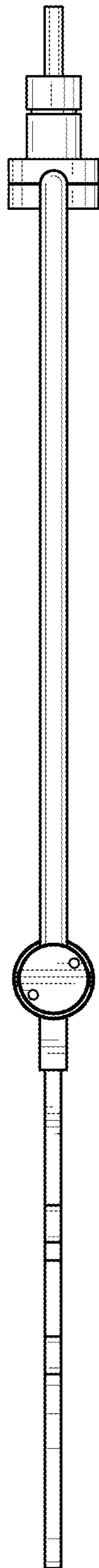


FIG. 5

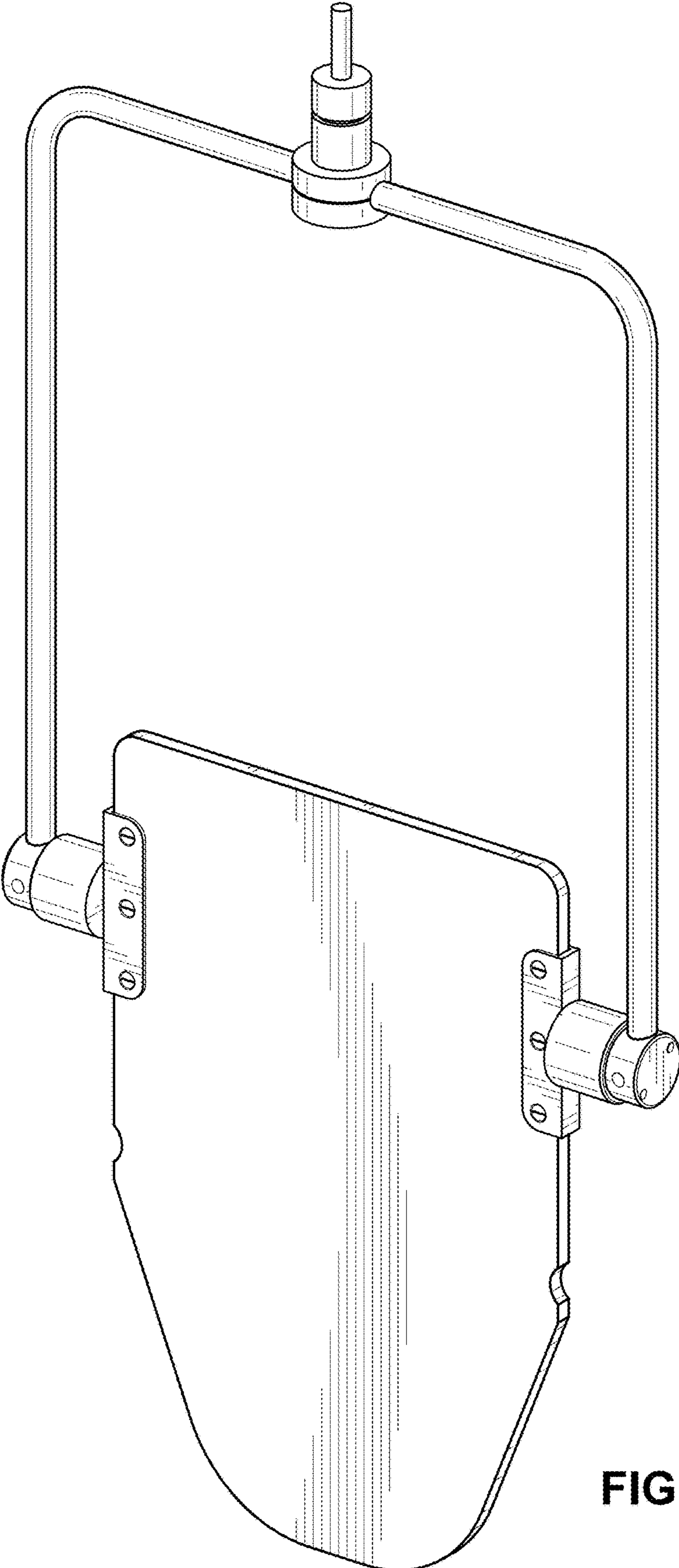


FIG. 6

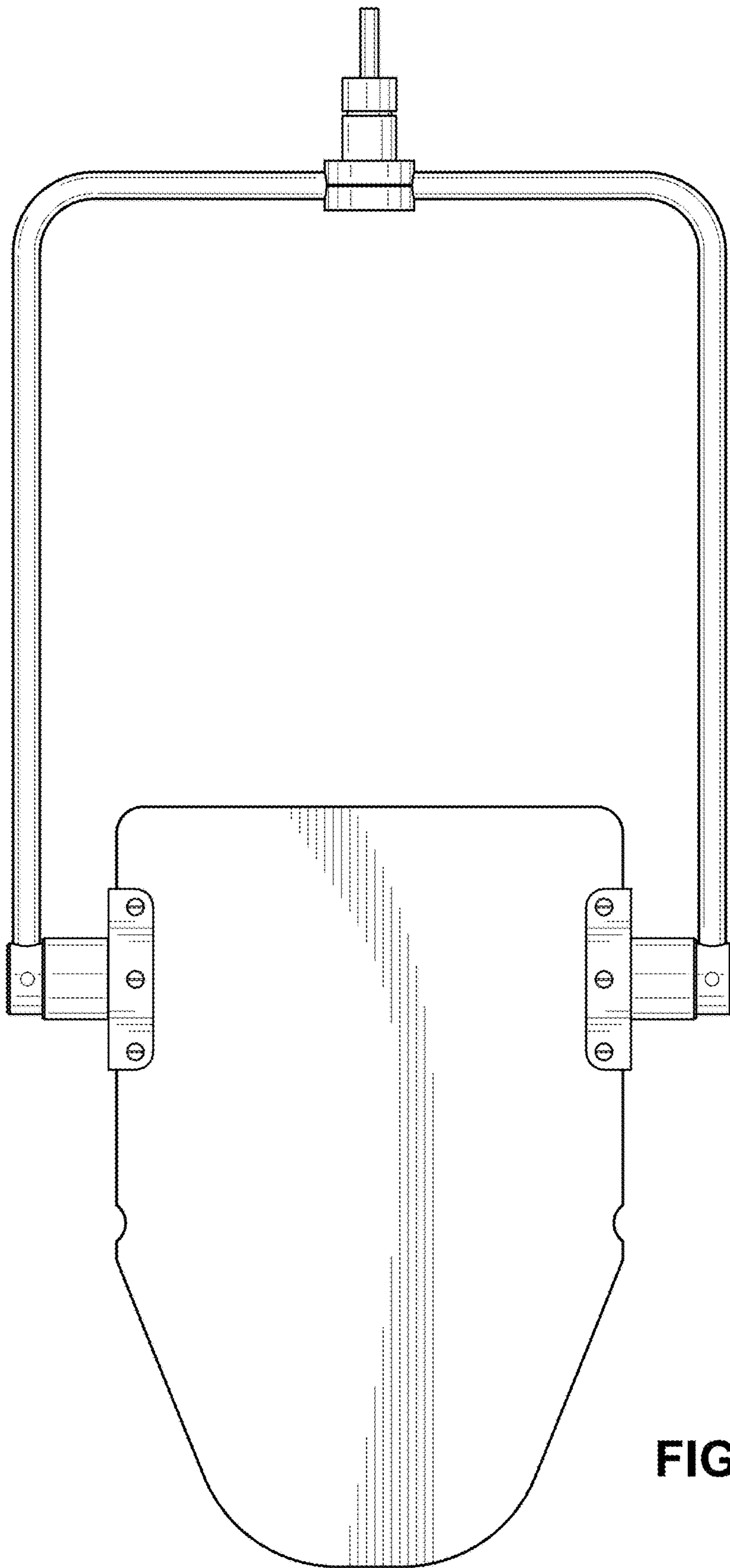


FIG. 7

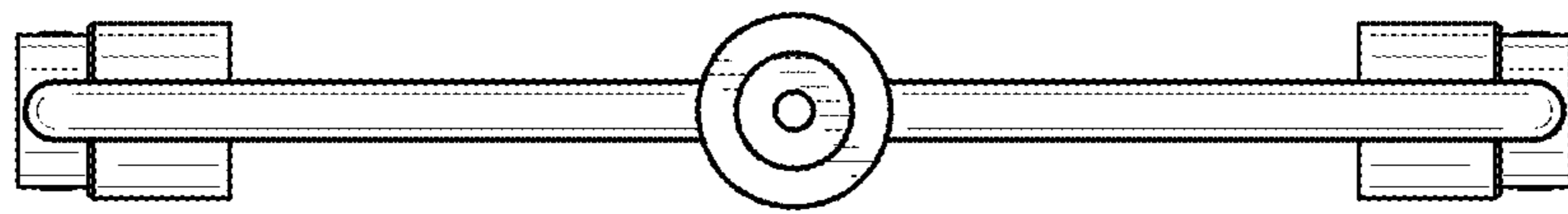


FIG. 8

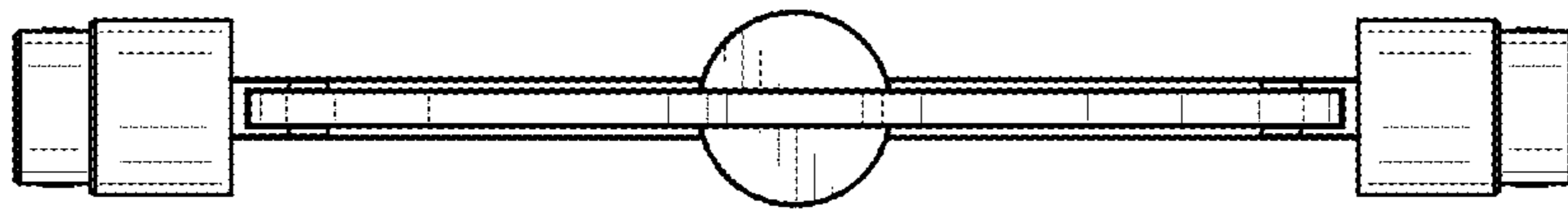


FIG. 9

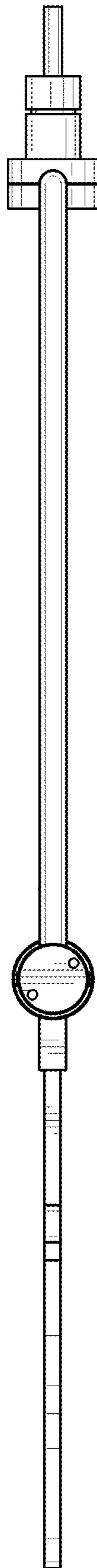


FIG. 10