



US00D810935S

(12) **United States Design Patent**
Bresco Torras et al.

(10) **Patent No.:** **US D810,935 S**
(45) **Date of Patent:** **** Feb. 20, 2018**

(54) **ENDOSCOPE WITH OBLIQUE TIP**

(71) Applicant: **COVIDIEN LP**, Mansfield, MA (US)

(72) Inventors: **Pere Bresco Torras**, Barcelona (ES);
Maria Degollada Bastos, Barcelona (ES); **Juan Carles Mateu Prununos**,
Barcelona (ES); **Angel Guerra Garcia**,
Barcelona (ES); **Mireille Akilian**,
Somerville, MA (US); **Allen An**,
Woburn, MA (US); **Nikolai Begg**,
Wayland, MA (US)

(73) Assignee: **COVIDIEN LP**, Mansfield, MA (US)

(**) Term: **15 Years**

(21) Appl. No.: **29/607,672**

(22) Filed: **Jun. 15, 2017**

Related U.S. Application Data

(63) Continuation of application No. 29/534,841, filed on
Jul. 31, 2015, now Pat. No. Des. 790,697.

(51) **LOC (11) Cl.** **24-02**

(52) **U.S. Cl.**
USPC **D24/138**

(58) **Field of Classification Search**

USPC D24/108, 117, 118, 133, 135, 137, 138,
D24/141, 222; 600/131, 145-147, 132
CPC ... A61B 18/1445; A61B 18/02; A61B 18/147;
A61B 18/14; A61B 1/00; A61B 1/0676;
A61B 1/00052

See application file for complete search history.

(56) **References Cited**

U.S. PATENT DOCUMENTS

6,193,666 B1 2/2001 Ouchi
D536,787 S * 2/2007 Rehbein D24/133
D571,007 S * 6/2008 Rehbein D24/112
D573,257 S * 7/2008 Rehbein D24/112

D580,051 S * 11/2008 Rehbein D24/108
D583,470 S 12/2008 Kupferschmid
D583,471 S * 12/2008 Kupferschmid D24/138
D666,719 S 9/2012 Becker

(Continued)

FOREIGN PATENT DOCUMENTS

DE 1261275 B 2/1968
EP 2436300 A1 4/2012
JP 2013188375 A 9/2013

Primary Examiner — Derrick Holland
Assistant Examiner — Yolanda Robinson

(57) **CLAIM**

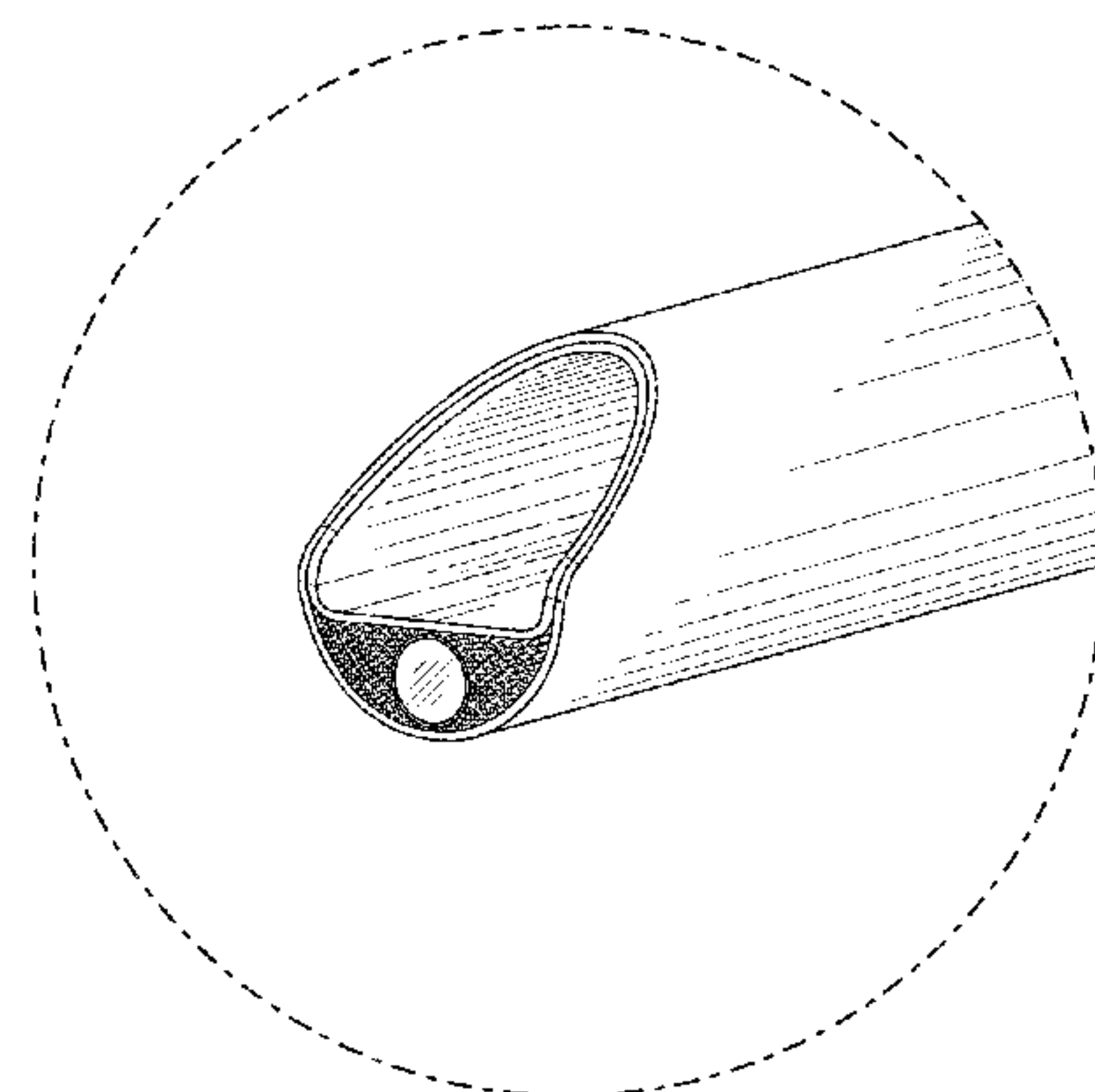
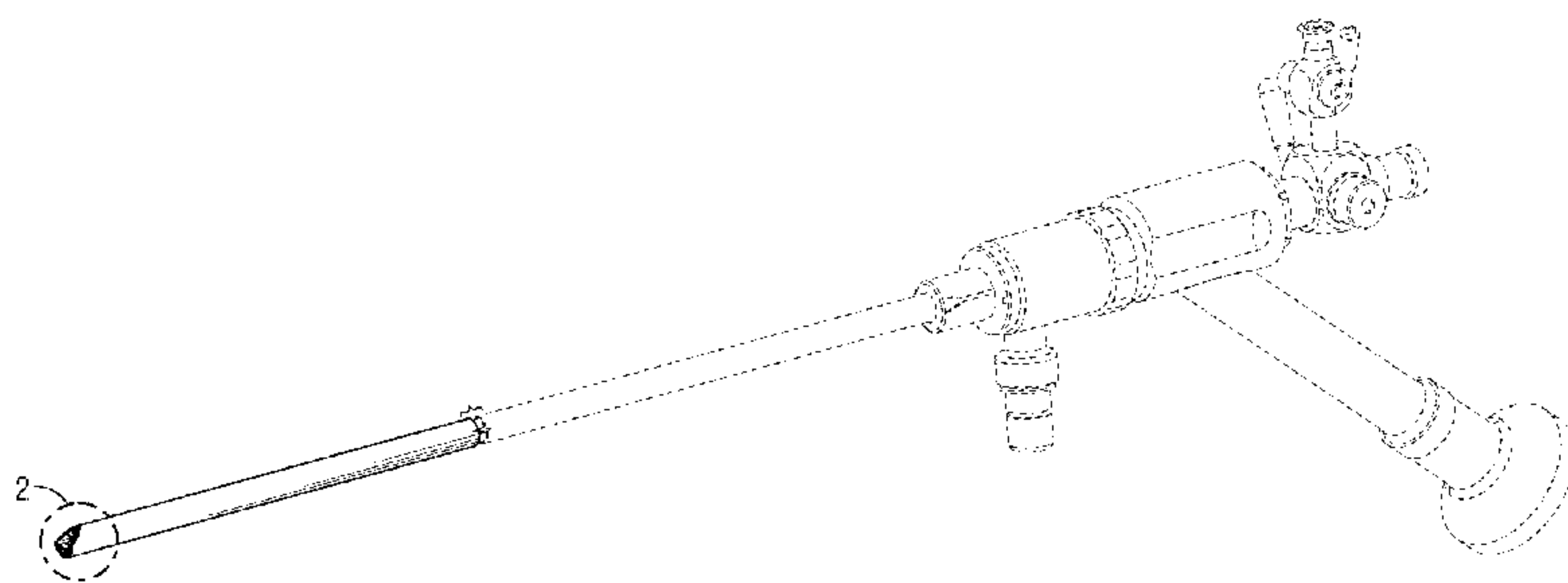
The ornamental design for an endoscope with oblique tip, as shown and described.

DESCRIPTION

FIG. 1 is a perspective view of an endoscope with oblique tip showing our new design;
FIG. 2 is a partial enlarged view of the claimed design corresponding to the section shown in FIG. 1;
FIG. 3 is a front view of the endoscope with oblique tip thereof;
FIG. 4 is a back view of the endoscope with oblique tip thereof;
FIG. 5 is a right side view thereof;
FIG. 6 is a left side view thereof;
FIG. 7 is a top plan view thereof; and,
FIG. 8 is a bottom plan view thereof.

The dashed broken lines in the drawing depict environmental subject matter only and form no part of the claimed design. The dash-dot-dash lines represent the border for the enlarged partial view and form no part of the claimed design. The endoscope with oblique tip is shown with a symbolic break in its length. The appearance of any portion of the endoscope with oblique tip between the break lines forms no part of the claimed design.

1 Claim, 4 Drawing Sheets



(56)

References Cited

U.S. PATENT DOCUMENTS

D672,462	S *	12/2012	Campo	D24/138
D674,090	S *	1/2013	Campo	D24/138
D729,384	S *	5/2015	Renner	D24/138
D743,028	S	11/2015	Teufel	
D743,029	S	11/2015	Mesle	
D753,822	S *	4/2016	Teufel	D24/138
D757,263	S	5/2016	Hofer	
D757,264	S *	5/2016	Eisenlauer	D24/138
D757,265	S *	5/2016	Eisenlauer	D24/138
D796,676	S *	9/2017	Preis	D24/143
2003/0032860	A1	2/2003	Avni et al.	
2003/0125607	A1 *	7/2003	Boebel	A61B 1/00105 600/136
2005/0085692	A1	4/2005	Kiehn et al.	
2006/0111612	A1	5/2006	Matsumoto	
2007/0118014	A1	5/2007	Fuerst et al.	
2007/0135682	A1	6/2007	Miyagi et al.	
2008/0214895	A1	9/2008	Campos	
2010/0286616	A1 *	11/2010	Baroud	A61B 17/3472 604/164.11
2012/0253227	A1 *	10/2012	Shener-Irmakoglu	A61B 17/32002 600/567
2014/0221999	A1	8/2014	Cunningham et al.	
2016/0235286	A1 *	8/2016	Chiang	A61B 1/015
2016/0249784	A1 *	9/2016	Bresco Torras	A61B 1/12 600/128
2016/0317217	A1	11/2016	Batross et al.	
2016/0317219	A1 *	11/2016	Germain	A61B 18/1485
2017/0143406	A1 *	5/2017	Bloom	A61B 18/148

* cited by examiner

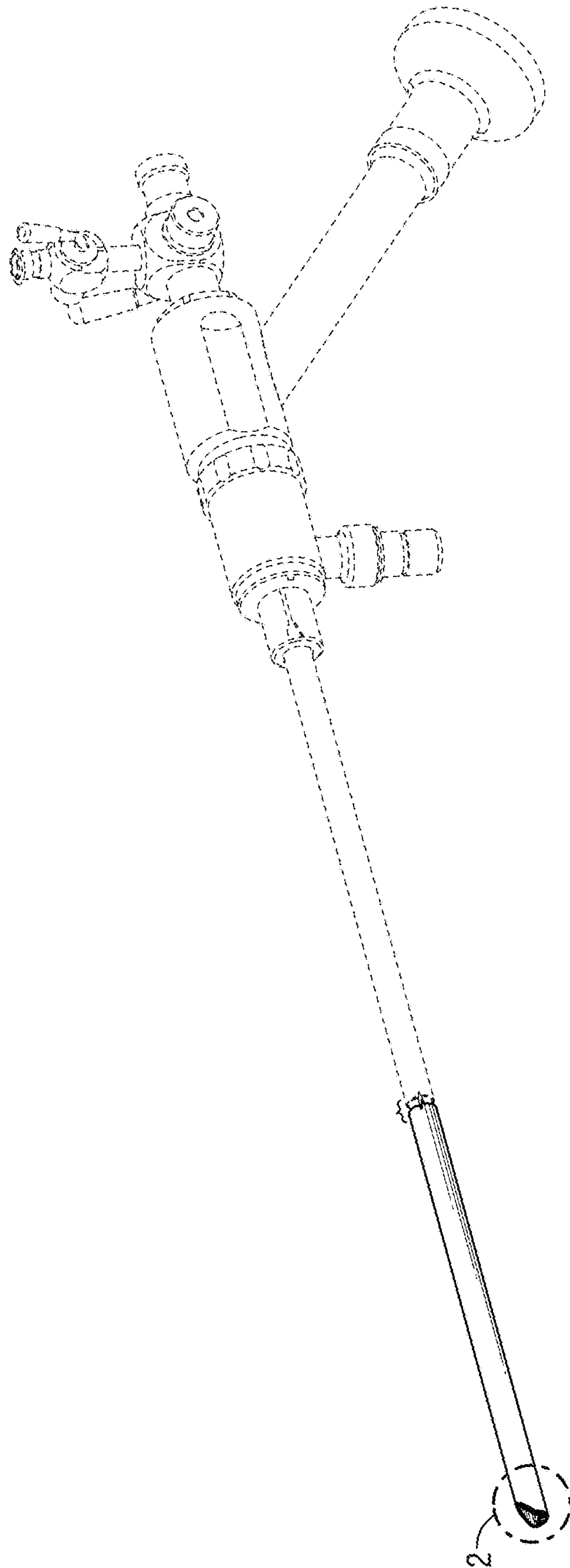


FIG. 1

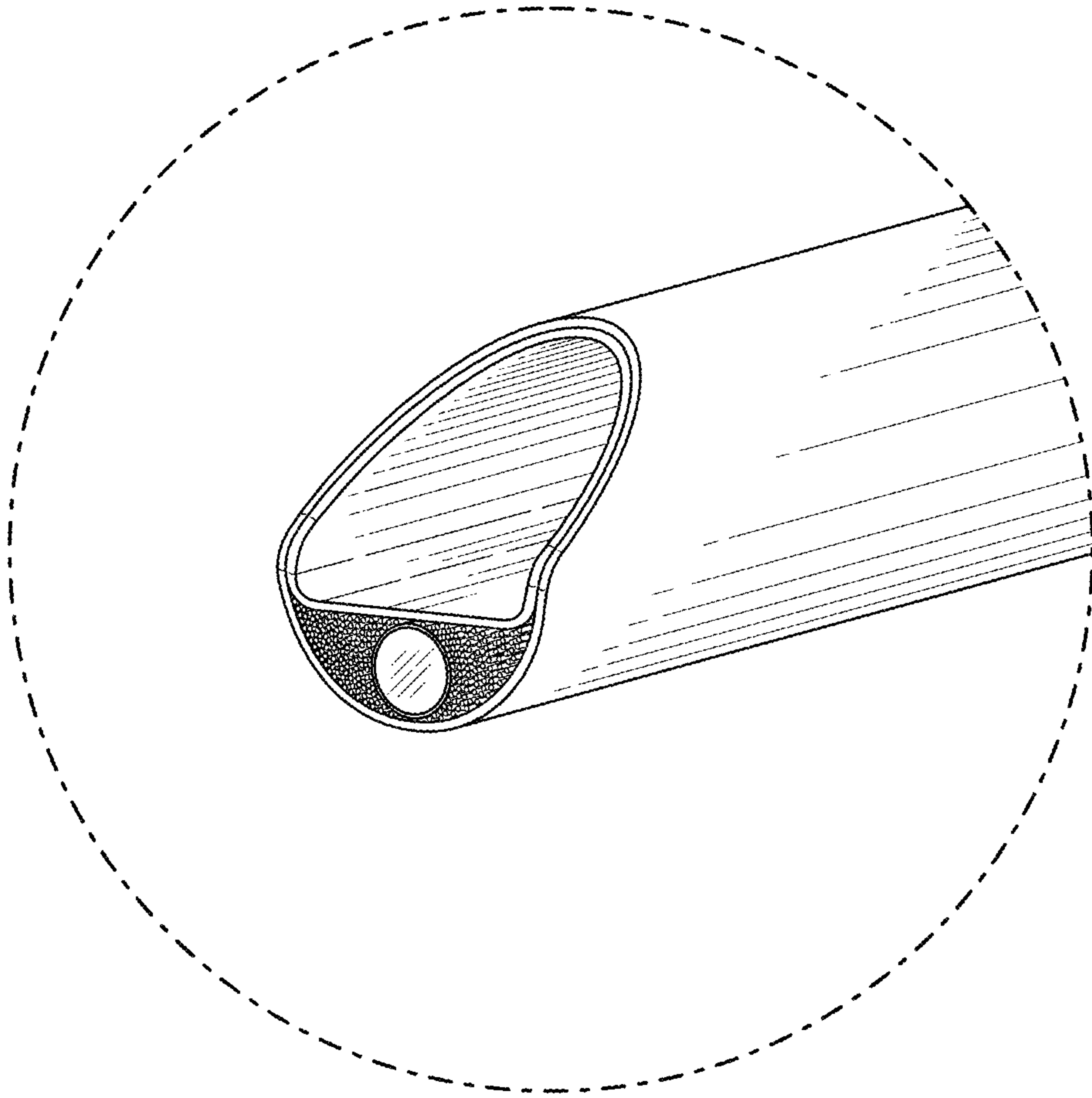


FIG. 2

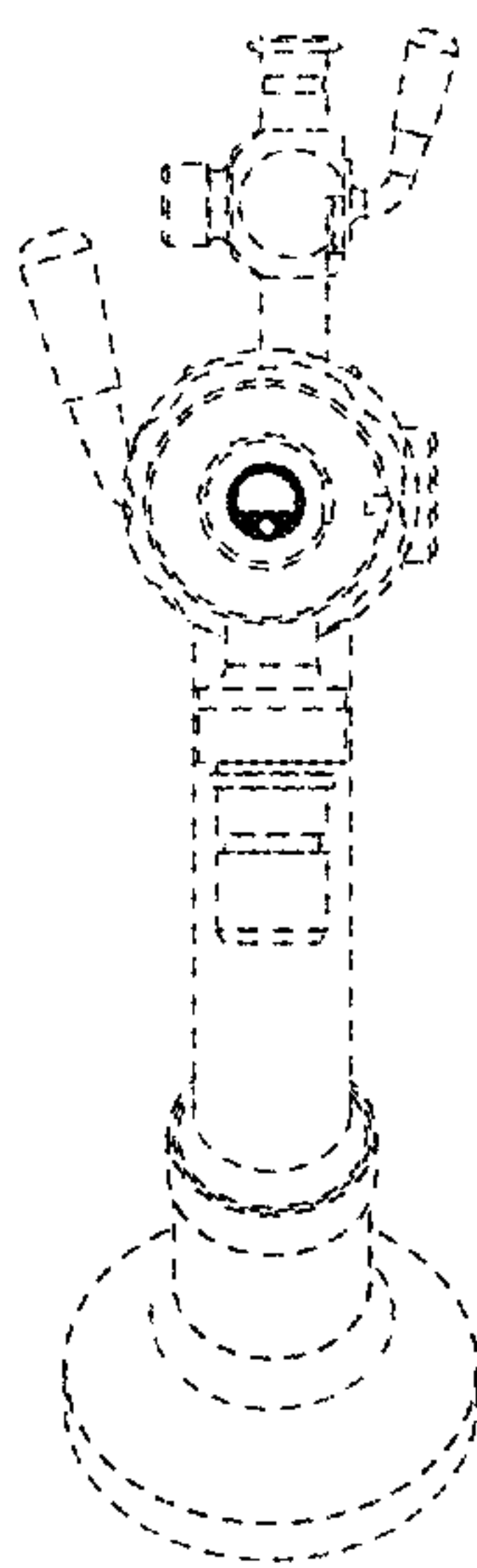


FIG. 3

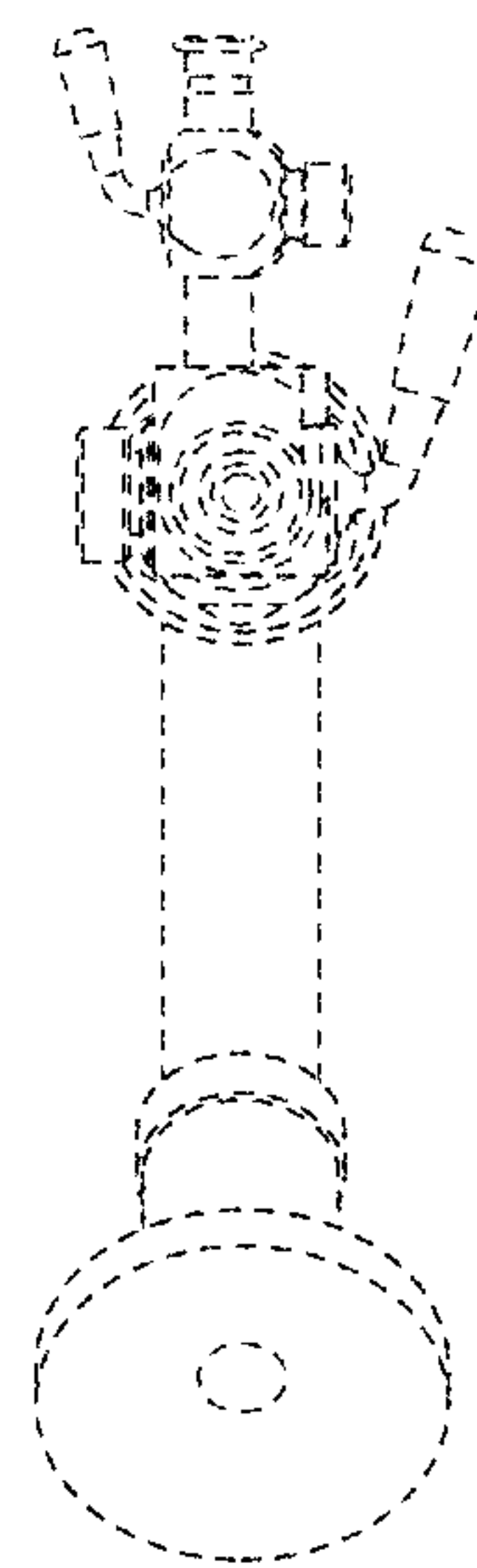


FIG. 4

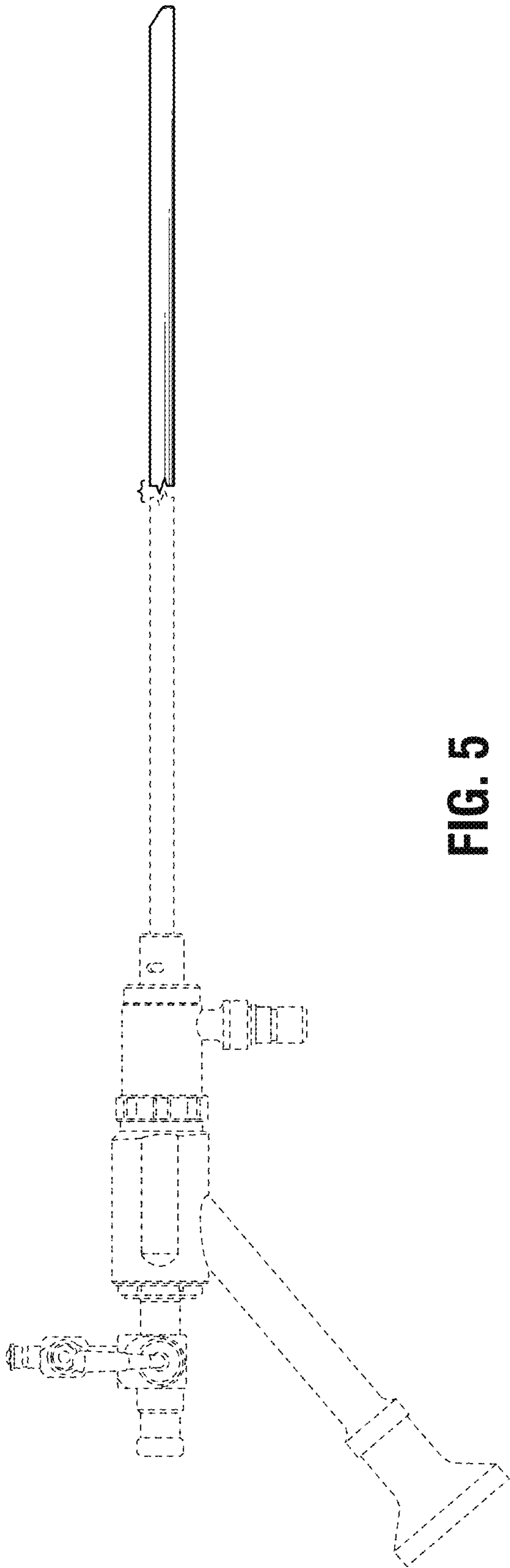


FIG. 5

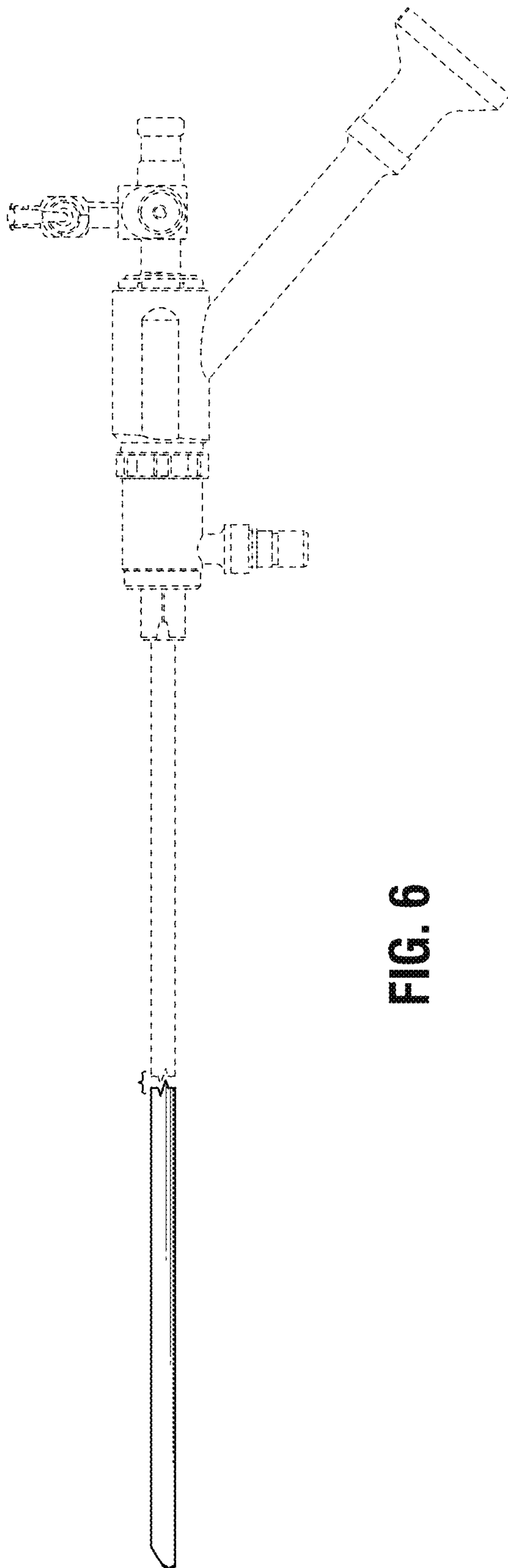


FIG. 6

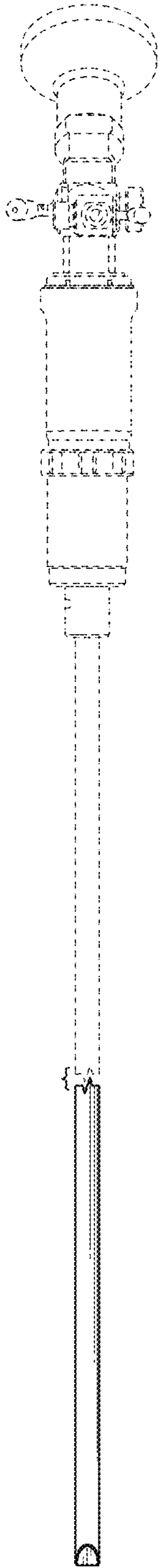


FIG. 7

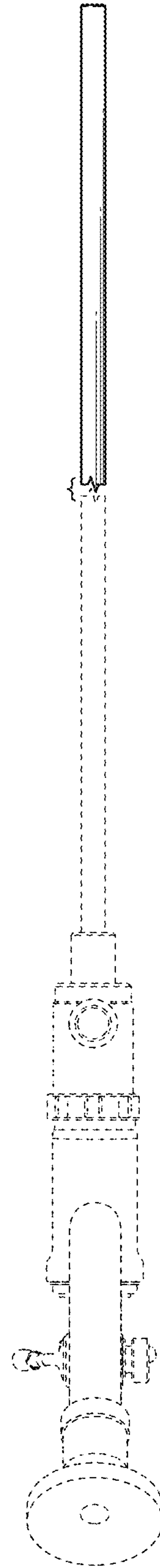


FIG. 8