



US00D810934S

(12) **United States Design Patent** (10) **Patent No.:** **US D810,934 S**
Renner (45) **Date of Patent:** **** Feb. 20, 2018**

(54) **BRONCHOSCOPE**

FOREIGN PATENT DOCUMENTS

(71) Applicant: **KARL STORZ GmbH & Co. KG,**
Tuttlingen (DE)

CN 300688062 * 9/2007
CN 300819508 * 8/2008

(Continued)

(72) Inventor: **Martin Renner,** Liptingen (DE)

OTHER PUBLICATIONS

(73) Assignee: **KARL STORZ GmbH & Co. KG,**
Tuttlingen (DE)

Karl Storz GmbH, "Rigid Bronchoscopy Universal Bronchoscopes for pediatrics and adults," Endoworld, Ent 120-1-E, pp. 1-20 (Sep. 2011).

(**) Term: **14 Years**

Primary Examiner — Bridget L Eland

Assistant Examiner — Lauren McVey

(21) Appl. No.: **29/523,980**

(74) *Attorney, Agent, or Firm* — Muncy, Geissler, Olds & Lowe, P.C.

(22) Filed: **Apr. 15, 2015**

(57) **CLAIM**

The ornamental design for a bronchoscope, as shown and described.

Related U.S. Application Data

DESCRIPTION

(63) Continuation-in-part of application No. 29/454,415, filed on May 9, 2013, now Pat. No. Des. 729,384.

FIG. 1 is a left side elevational view of a bronchoscope according to the present invention.

FIG. 2 is a right side elevational view of the bronchoscope of FIG. 1.

(30) **Foreign Application Priority Data**

Nov. 9, 2012 (EM) EM002133611-0002

Nov. 9, 2012 (EM) EM002133611-0003

FIG. 3 is a front elevational view of the bronchoscope of FIG. 1.

FIG. 4 is a rear elevational view of the bronchoscope of FIG. 1.

(51) **LOC (11) Cl.** **24-02**

(52) **U.S. Cl.**
USPC **D24/138**

FIG. 5 is a top plan view of the bronchoscope of FIG. 1.

FIG. 6 is a bottom plan view of the bronchoscope of FIG. 1; and,

(58) **Field of Classification Search**
USPC D24/138, 137, 133, 135, 140
(Continued)

FIG. 7 is a perspective view of the bronchoscope of FIG. 1. The broken lines shown in the views are included for the purpose of illustrating portions of the endoscope that form no part of the claimed design.

The endoscope is shown with a symbolic break in its length. The appearance of any portion of the endoscope between the break lines forms no part of the claimed design.

(56) **References Cited**

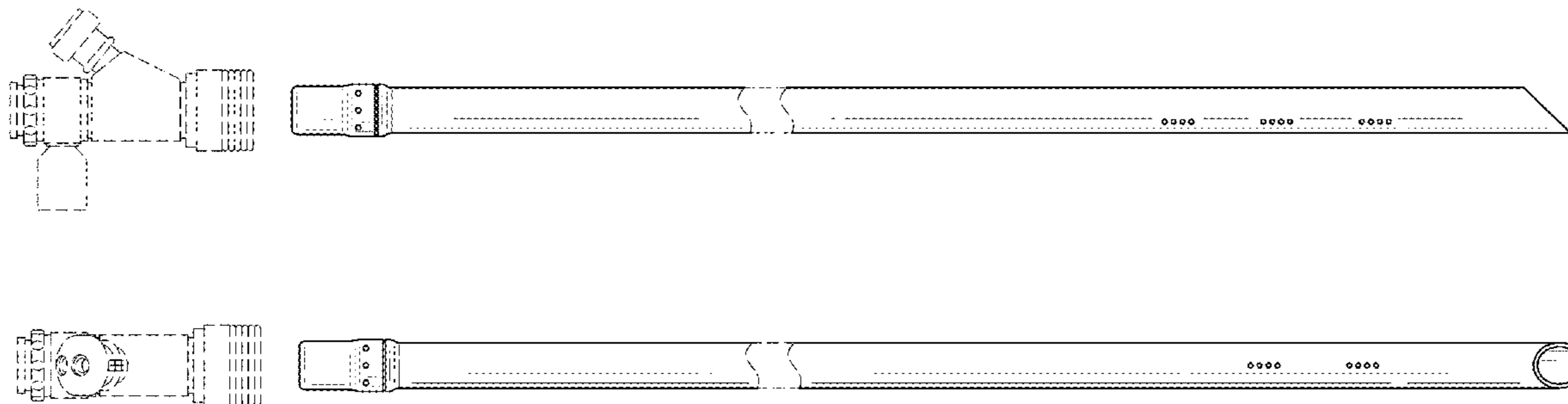
U.S. PATENT DOCUMENTS

3,315,663 A * 4/1967 Goldfarb A61B 1/2676
310/26

3,368,552 A 2/1968 Bottcher

(Continued)

1 Claim, 7 Drawing Sheets



US D810,934 S

Page 2

(58) **Field of Classification Search**
CPC A61B 1/267; A61B 1/2673; A61B 1/2676
See application file for complete search history.

(56) **References Cited**

U.S. PATENT DOCUMENTS

D279,604 S * 7/1985 Nishigaki D24/138
5,383,876 A 1/1995 Nardella
D367,324 S 2/1996 McCarthy et al.
5,725,478 A 3/1998 Saad
D420,131 S 2/2000 Renner et al.
D570,479 S 6/2008 Rehbein et al.
7,413,542 B2 8/2008 Kucklick et al.
D617,458 S * 6/2010 Frey D24/138
D631,545 S 1/2011 Halder et al.
D663,027 S 7/2012 Halder
D663,831 S * 7/2012 Sidhu D24/112
D667,114 S 9/2012 Campo et al.
D667,546 S 9/2012 Becker
D683,448 S * 5/2013 Sidhu D24/112

D683,449 S * 5/2013 Sidhu D24/112
D696,401 S * 12/2013 Campo D24/138
D697,207 S * 1/2014 Paget D24/146
D727,499 S * 4/2015 Schad D24/146
D729,384 S * 5/2015 Renner D24/138
D743,027 S * 11/2015 Renner D24/138
2005/0059857 A1 3/2005 Freier et al.
2006/0270907 A1 11/2006 Klemm
2010/0199999 A1* 8/2010 Vazales A61B 1/126
128/207.14
2014/0316206 A1* 10/2014 Vasan A61B 1/267
600/191

FOREIGN PATENT DOCUMENTS

CN 300756866.0001 * 9/2014
CN 302975129 * 10/2014
FR 527310 A * 10/1921 A61B 1/2676
FR 1483314 A * 6/1966 A61B 1/07
WO WO 2008095270 A1 * 1/2008 A61B 17/3431

* cited by examiner

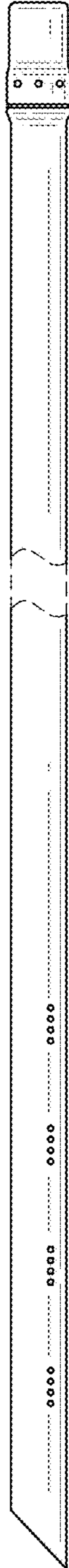
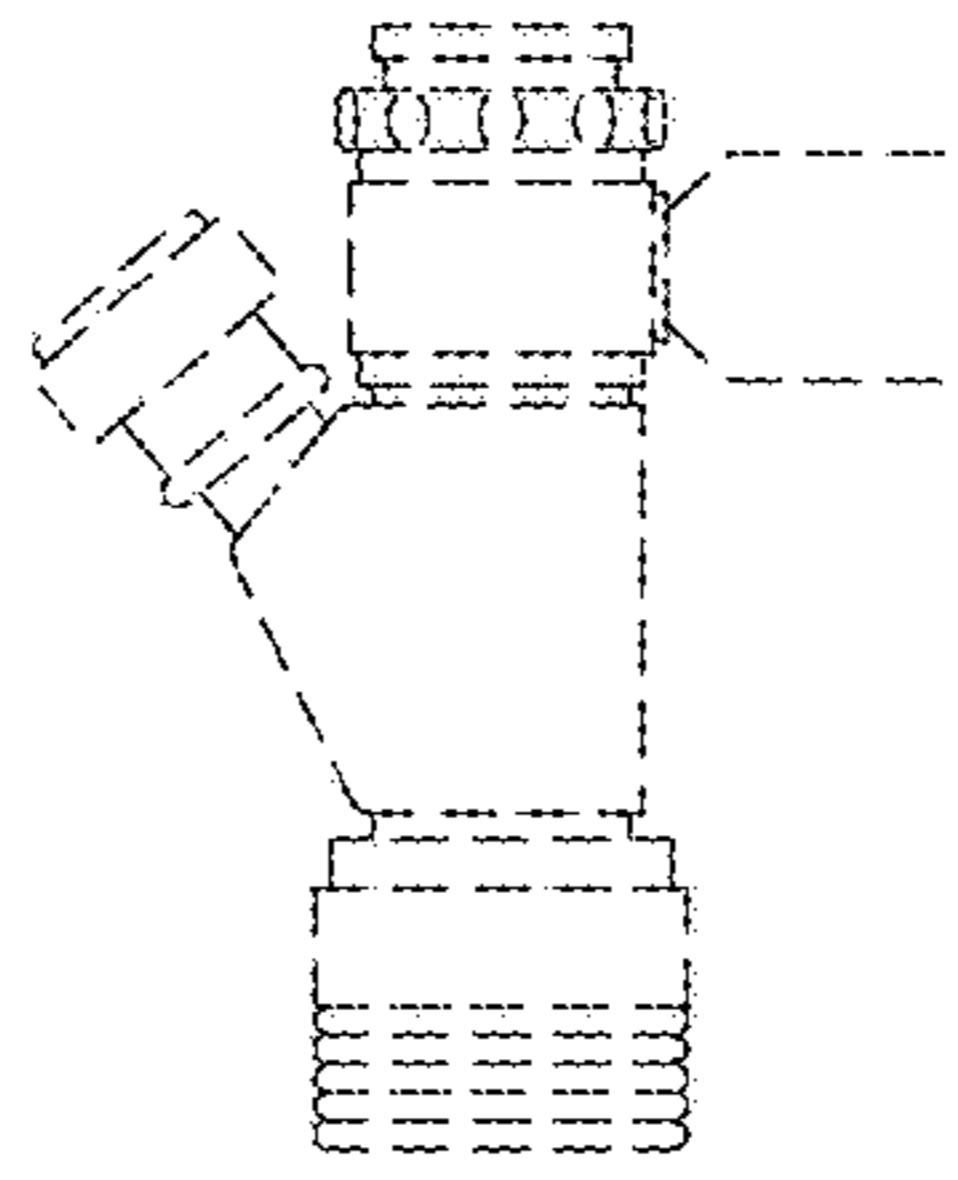


FIG.1

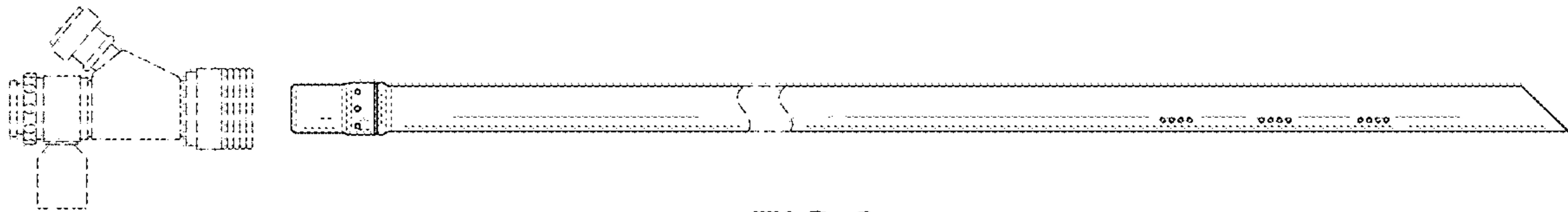


FIG.2

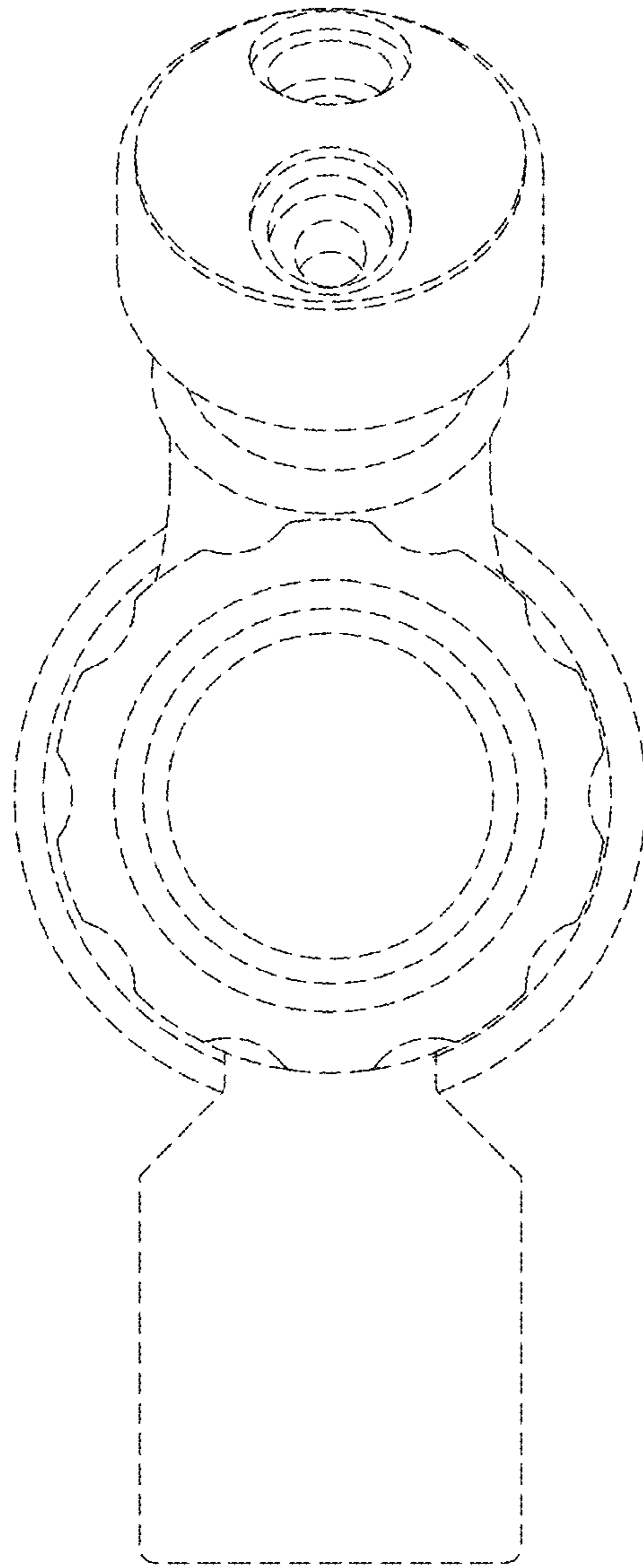


FIG.3

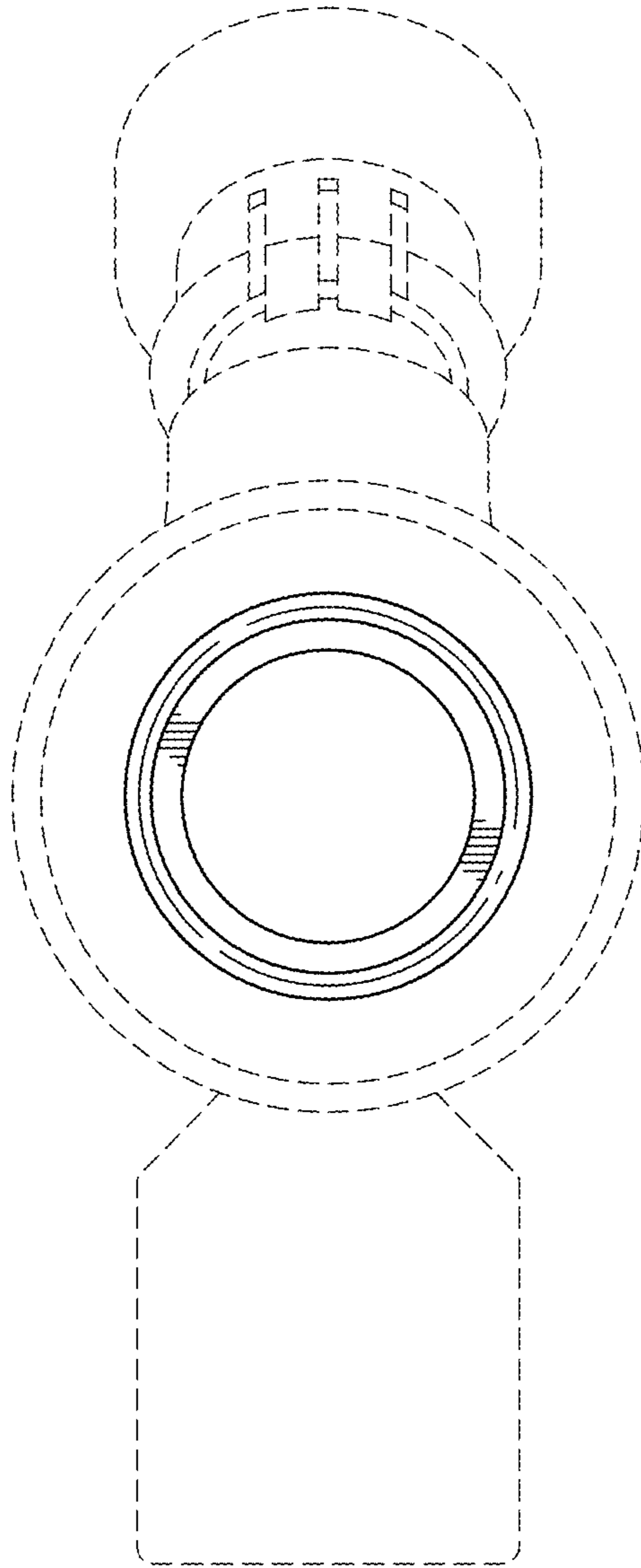


FIG.4

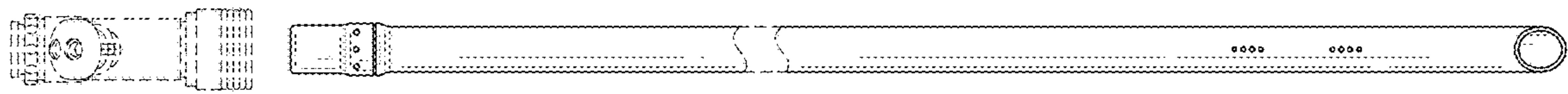


FIG.5



FIG.6

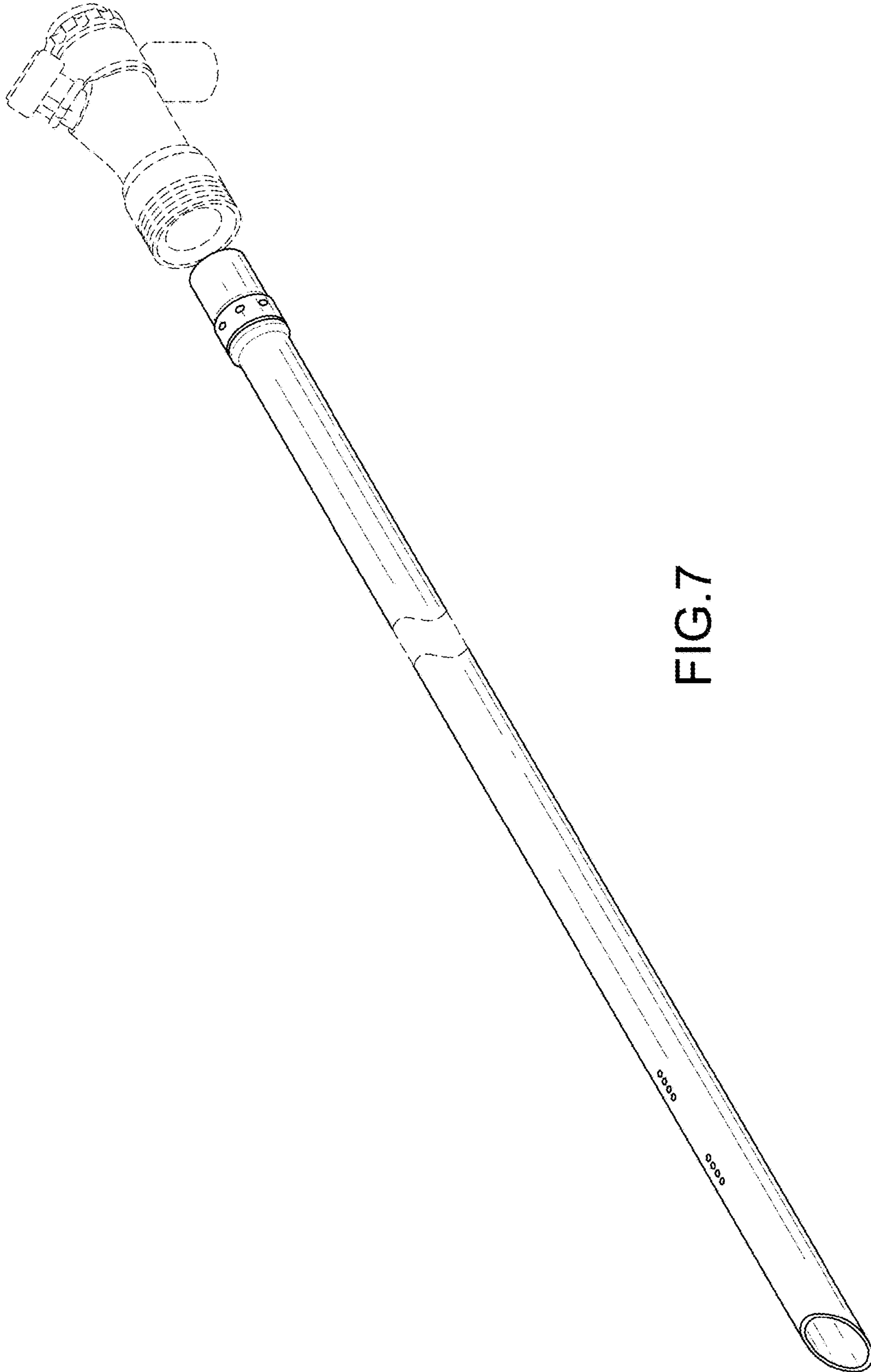


FIG.7