



US00D810933S

(12) **United States Design Patent**
Chrisman

(10) **Patent No.:** **US D810,933 S**

(45) **Date of Patent:** **** Feb. 20, 2018**

(54) **COMPRESSION TORQUE DEVICE**

(71) Applicant: **Vascugenix LLC**, Little Rock, AR (US)

(72) Inventor: **Freddy Dwight Chrisman**, Little Rock, AR (US)

(73) Assignee: **Vascugenix LLC**, Little Rock, AR (US)

(**) Term: **15 Years**

(21) Appl. No.: **29/584,792**

(22) Filed: **Nov. 17, 2016**

(51) **LOC (11) Cl.** **24-02**

(52) **U.S. Cl.**
USPC **D24/133**

(58) **Field of Classification Search**
USPC D24/112, 133, 140, 143
CPC A61M 25/0113; A61M 25/09041; A61M 25/09116

See application file for complete search history.

(56) **References Cited**

U.S. PATENT DOCUMENTS

3,312,128	A *	4/1967	Wasson	E04G 21/122 140/123.5
D329,698	S *	9/1992	Loney	D24/133
5,161,534	A *	11/1992	Berthiaume	A61M 25/01 226/127
6,030,349	A *	2/2000	Wilson	A61M 25/09041 600/434
7,972,282	B2 *	7/2011	Clark	A61M 25/0113 600/585

(Continued)

Primary Examiner — Philip S Hyder

(74) *Attorney, Agent, or Firm* — Evan Law Group LLC

(57) **CLAIM**

The ornamental design for a compression torque device, as shown and described.

DESCRIPTION

FIG. 1 is a front, top, and left side perspective view of a compression torque device with a moveable actuator, showing my design;

FIG. 2 is a left side elevational view thereof;

FIG. 3 is a right side elevational view thereof;

FIG. 4 is a top plan view thereof;

FIG. 5 is a bottom plan view thereof;

FIG. 6 is a front elevational view thereof;

FIG. 7 is a back elevational view thereof; and

FIG. 8 is a front, top, and left side perspective view thereof, showing the actuator in an alternative position.

FIG. 9 is a front, top, and left side perspective view of a compression torque device with a moveable actuator and an introducer tip, showing my design;

FIG. 10 is a left side elevational view thereof.

FIG. 11 is a right side elevational view thereof;

FIG. 12 is a top plan view thereof;

FIG. 13 is a bottom plan view thereof;

FIG. 14 is a front elevational view thereof;

FIG. 15 is a back elevational view thereof; and

FIG. 16 is a front, top, and left side perspective view thereof, showing the actuator in an alternative position.

FIG. 17 is a front, top, and left side perspective view of a compression torque device with a moveable actuator, showing my design;

FIG. 18 is a left side elevational view thereof;

FIG. 19 is a right side elevational view thereof;

FIG. 20 is a top plan view thereof;

FIG. 21 is a bottom plan view thereof;

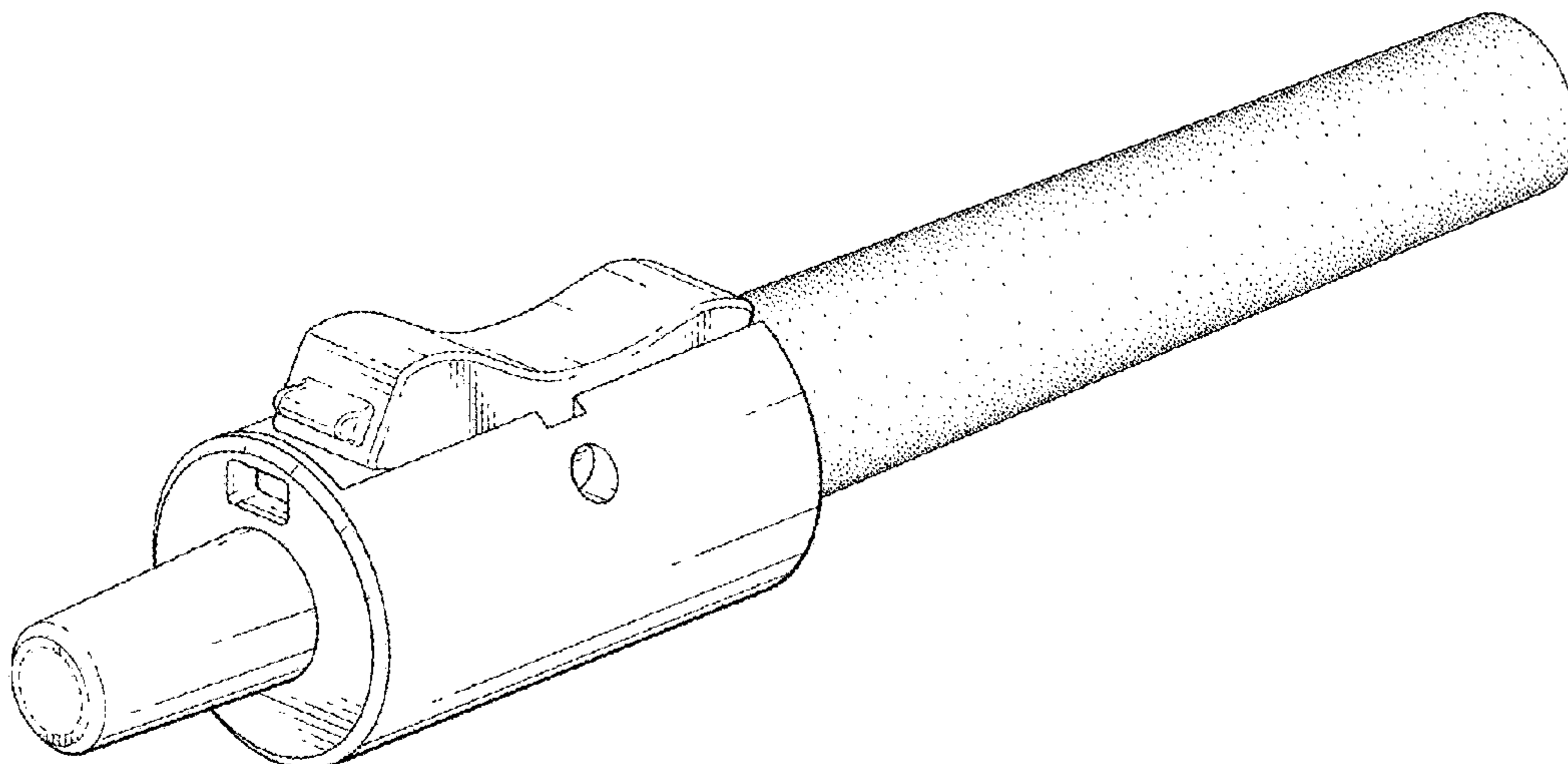
FIG. 22 is a front elevational view thereof;

FIG. 23 is a back elevational view thereof; and,

FIG. 24 is a front, top, and left side perspective view thereof, showing the actuator in an alternative position.

The broken lines depict portions of the compression torque device in which the design is embodied that are not considered part of the claimed design.

1 Claim, 21 Drawing Sheets



(56)

References Cited

U.S. PATENT DOCUMENTS

8,025,629	B2 *	9/2011	Shelton	A61M 25/0113 600/585
8,147,481	B2 *	4/2012	Whittaker	A61M 25/0113 600/585
9,295,815	B2 *	3/2016	Stevens	A61M 25/09041
9,615,951	B2 *	4/2017	Bennett	A61F 2/95
2007/0219467	A1 *	9/2007	Clark	A61M 25/0113 600/585
2009/0124934	A1 *	5/2009	Rabbitte	A61M 25/09041 600/585

* cited by examiner

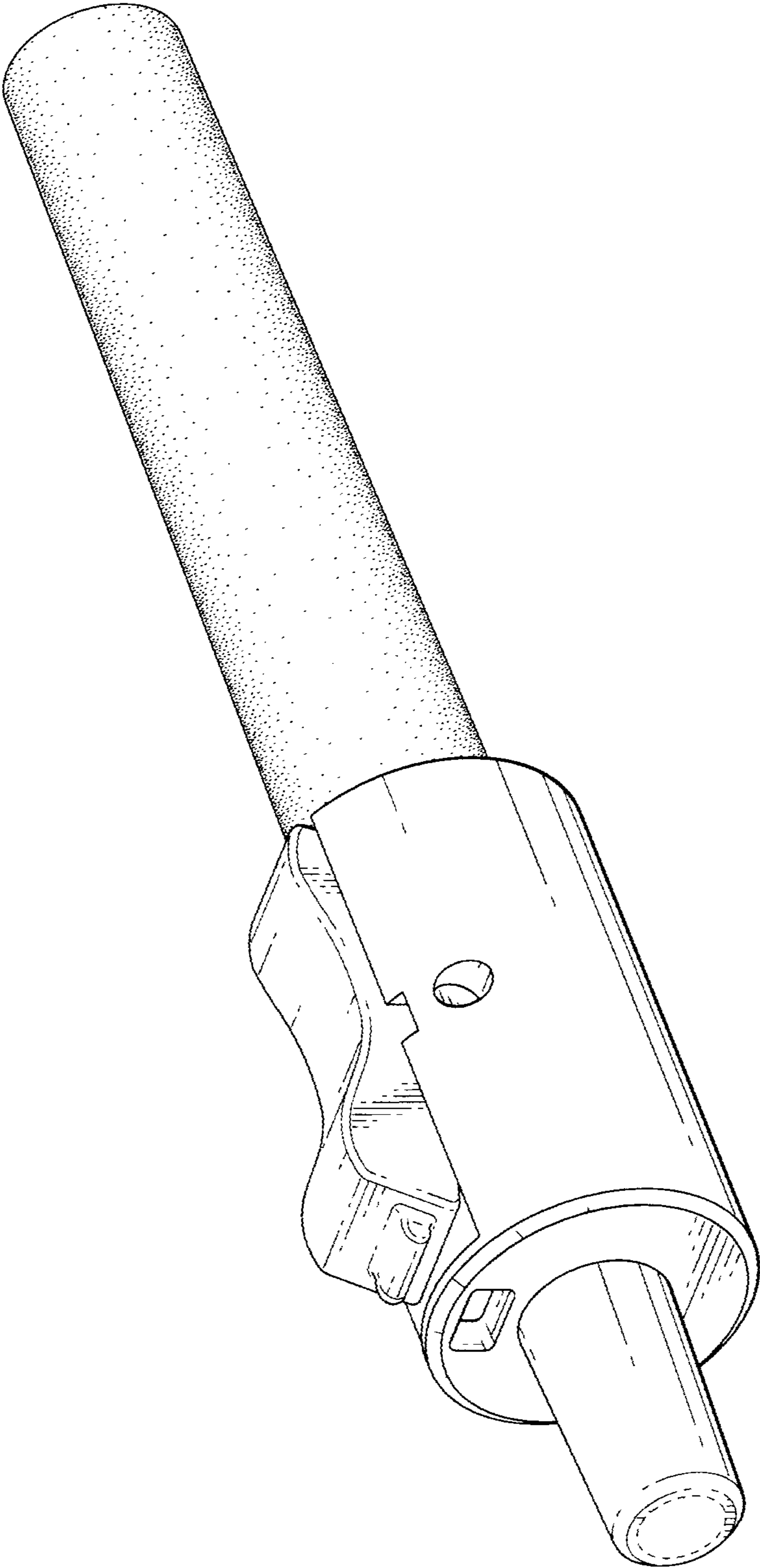


FIG. 1

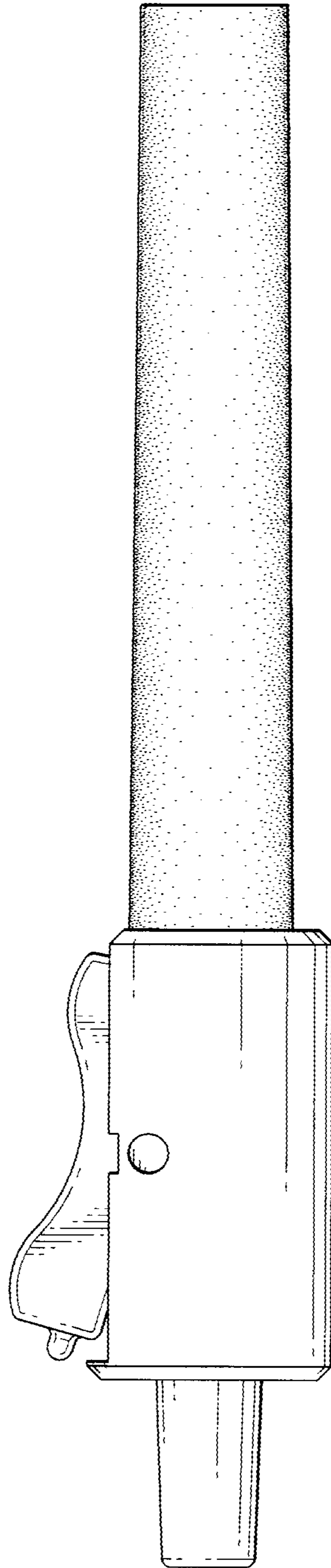


FIG. 2

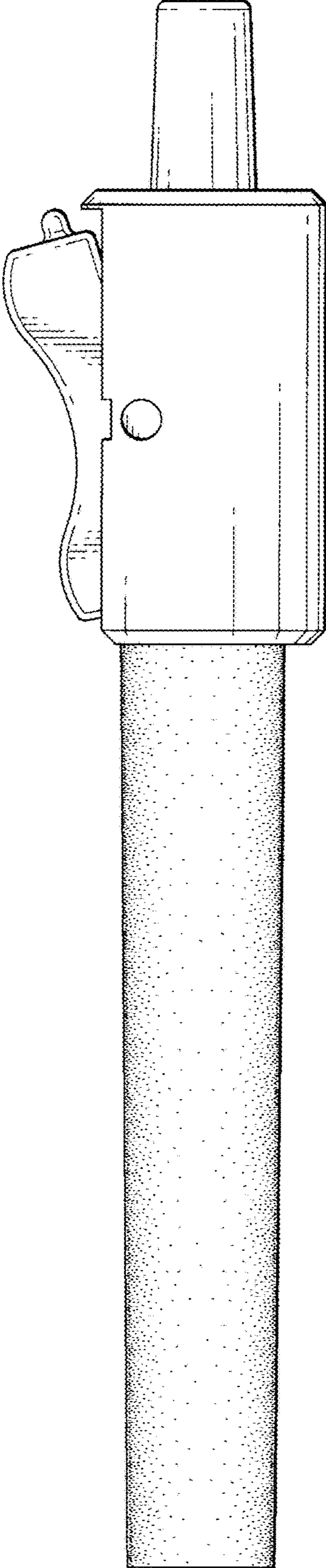


FIG. 3

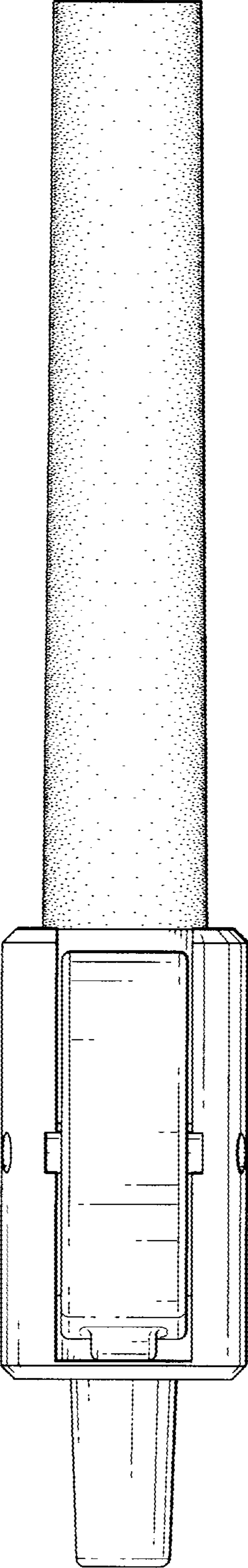


FIG. 4

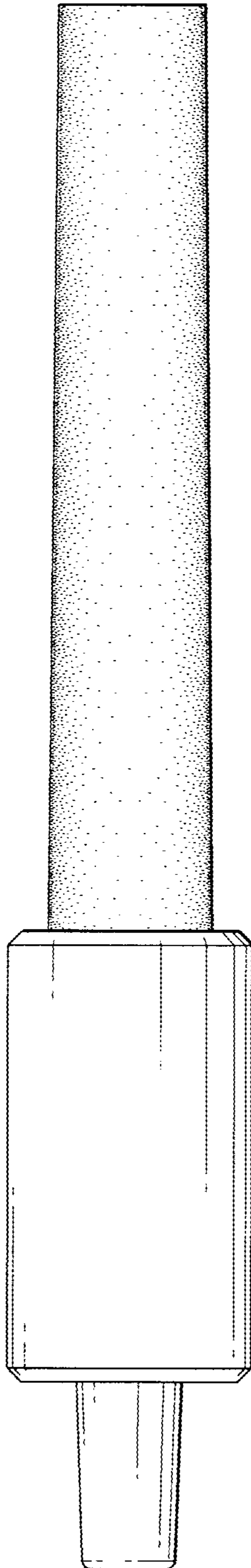


FIG. 5

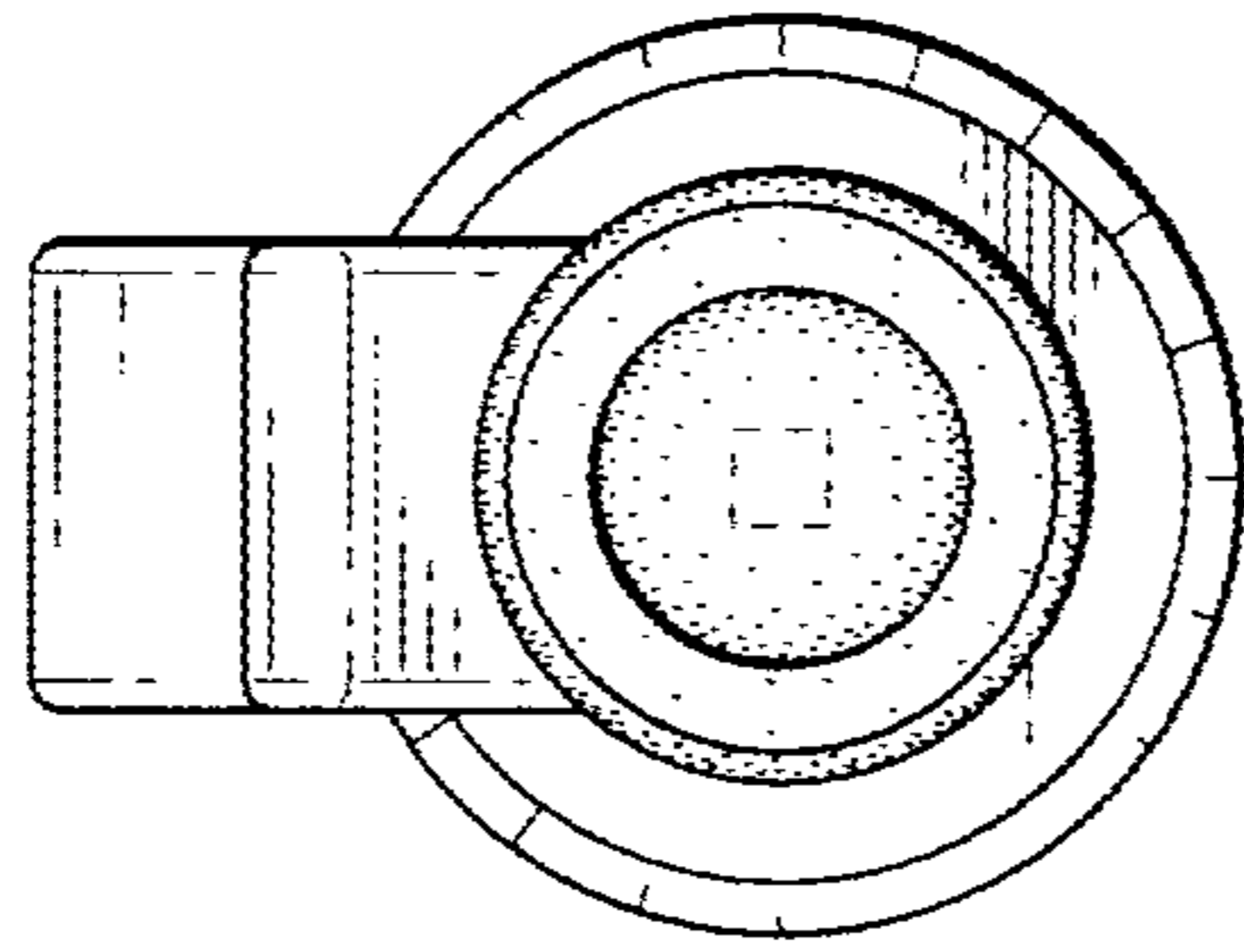


FIG. 7

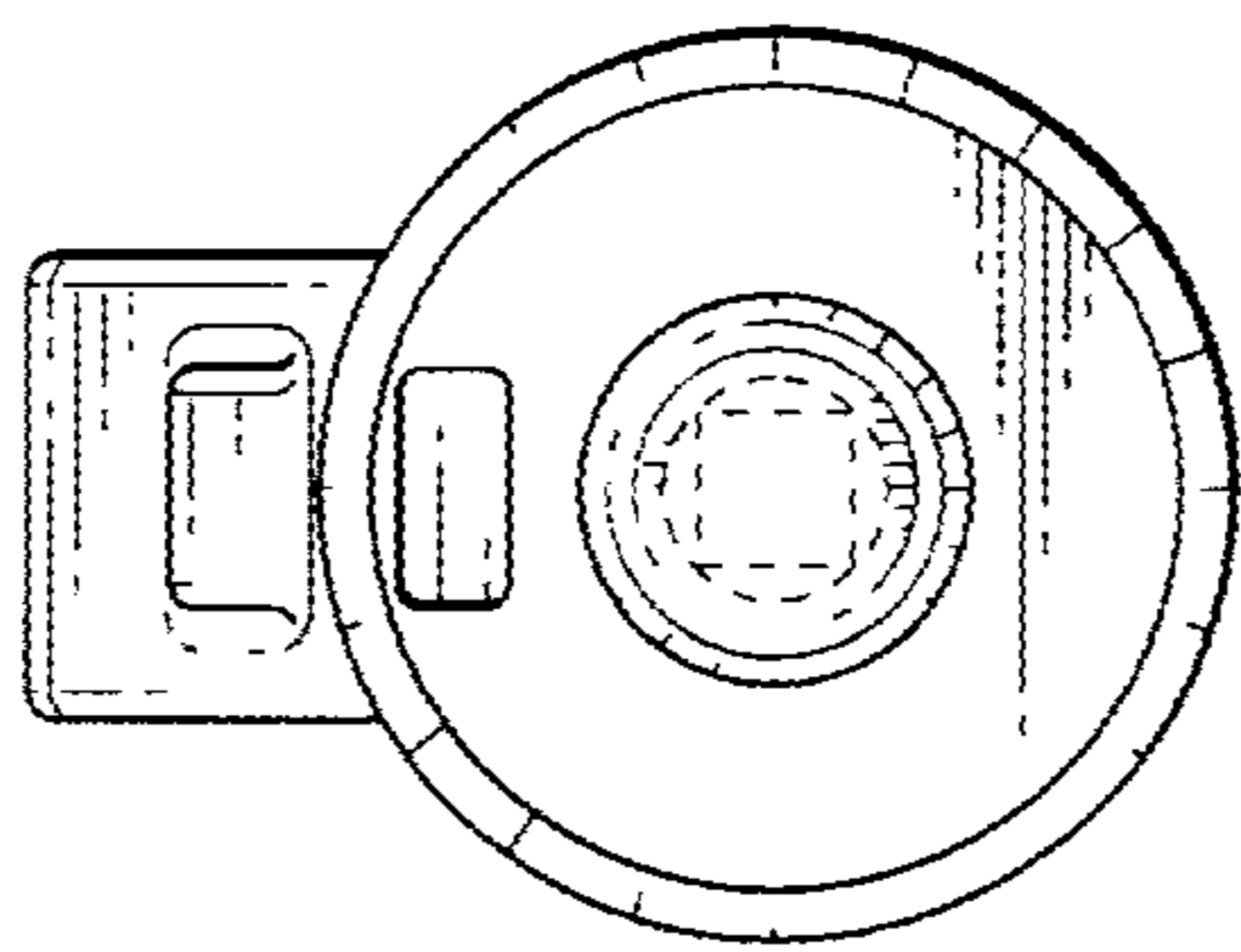


FIG. 6

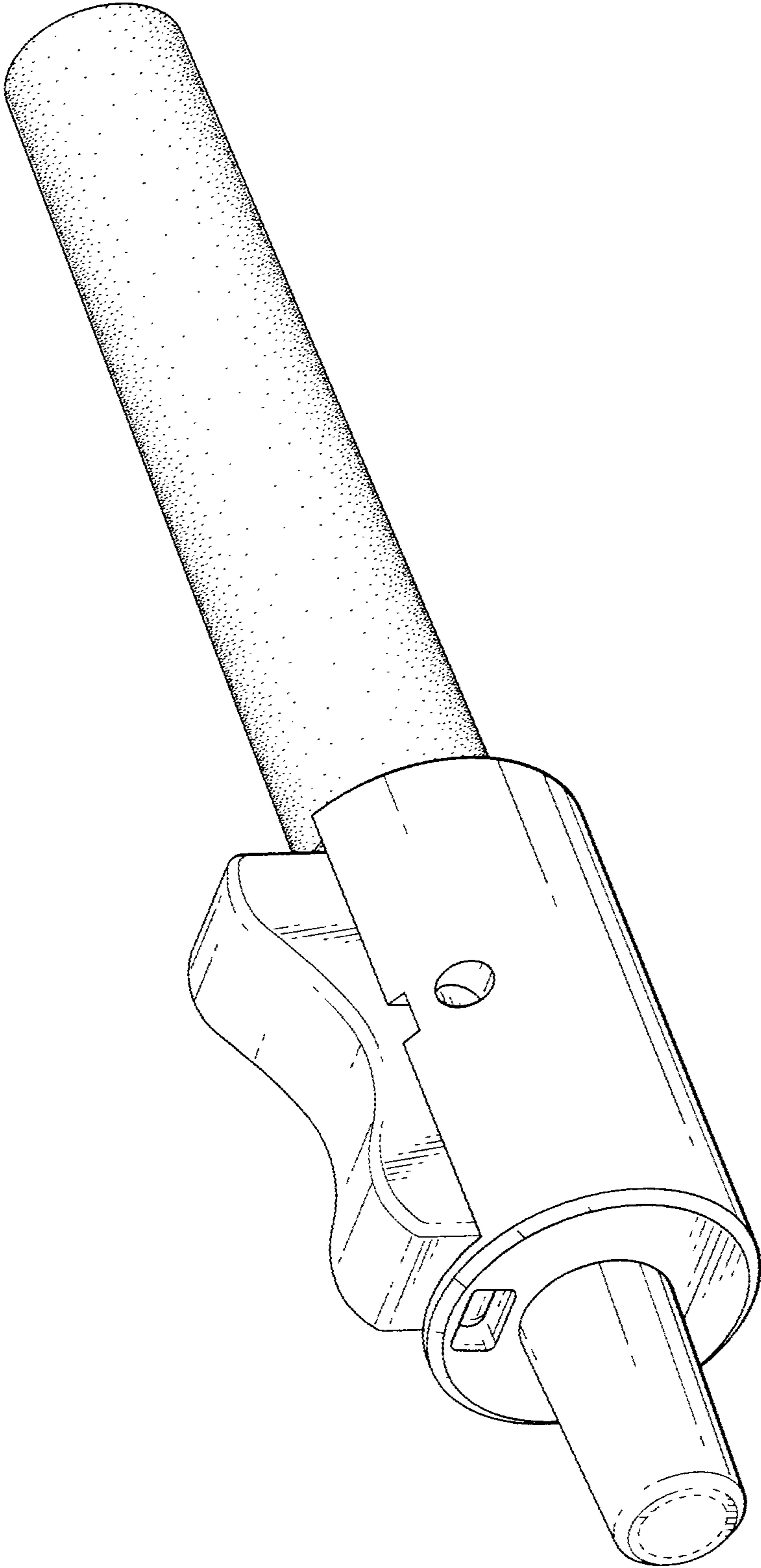


FIG. 8

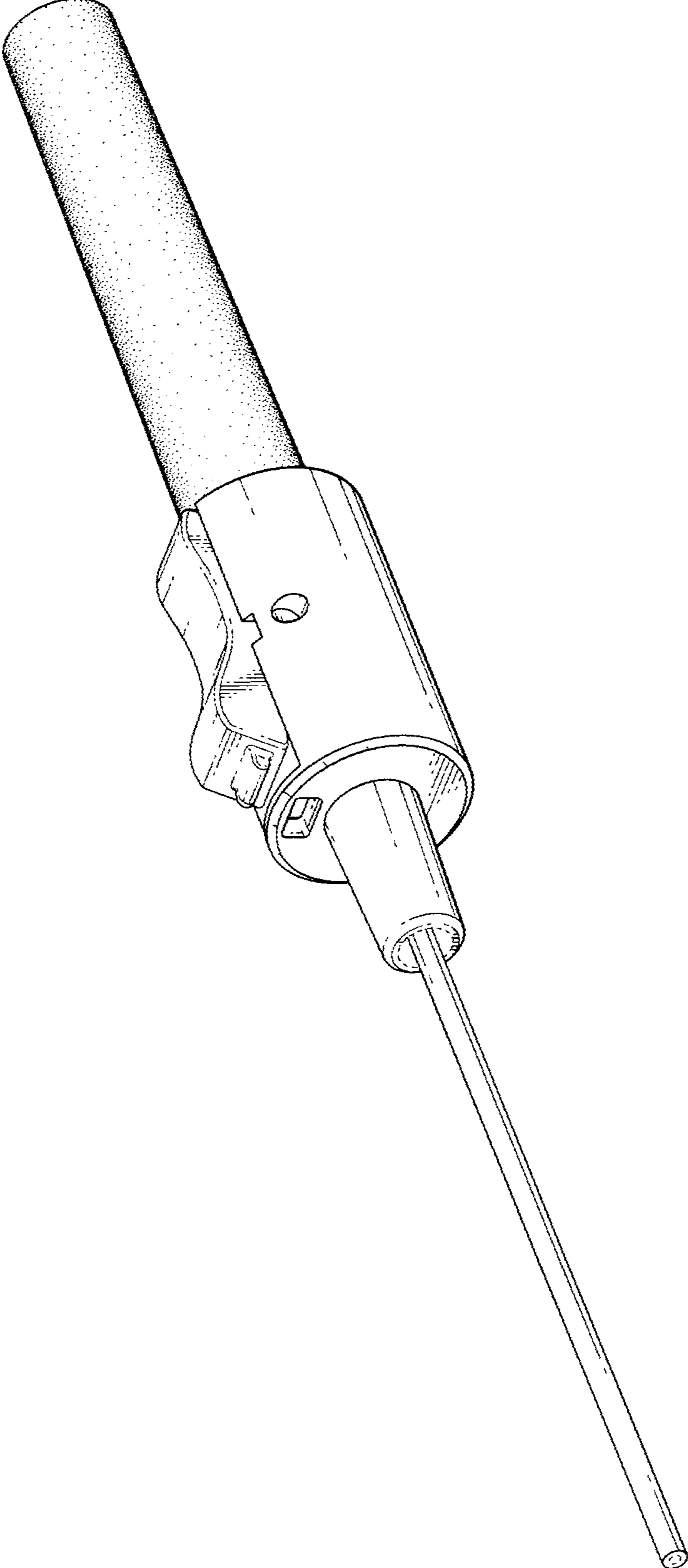


FIG. 9

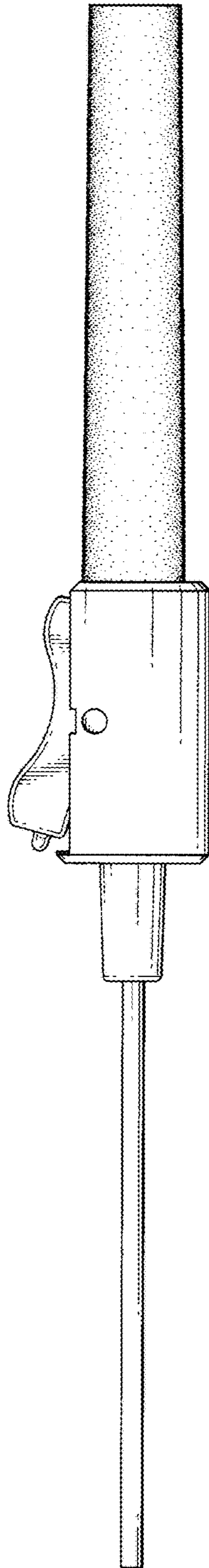


FIG. 10

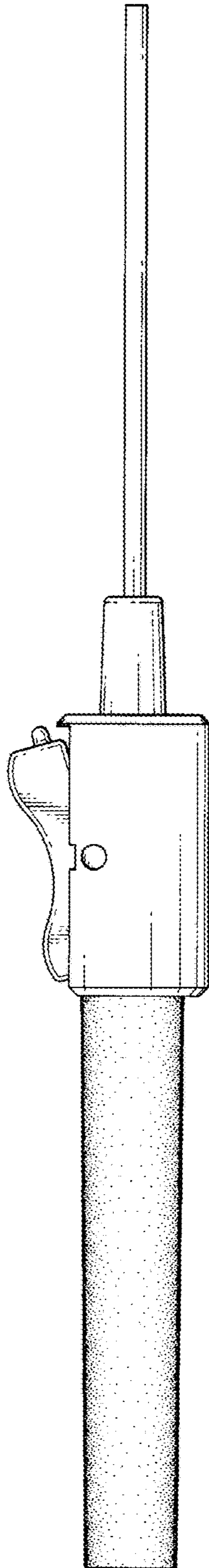


FIG. 11

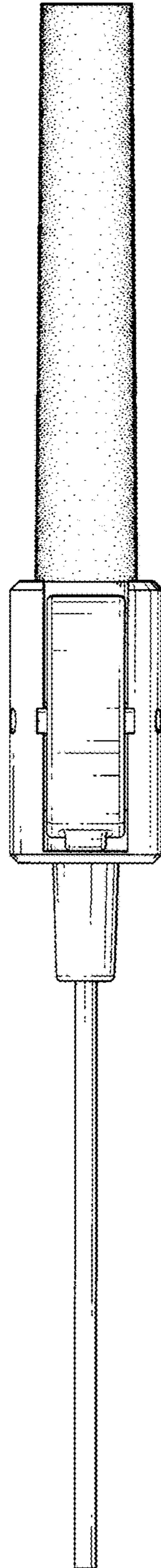


FIG. 12

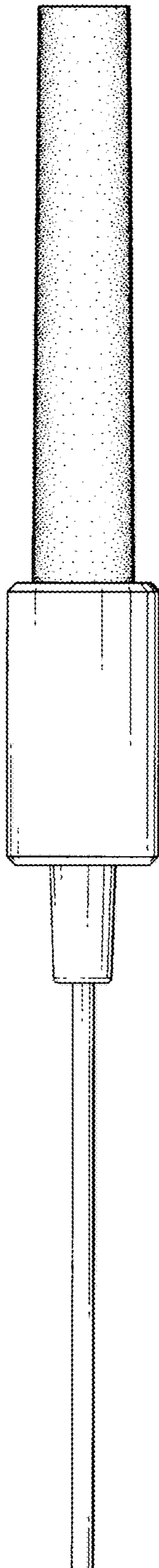


FIG. 13

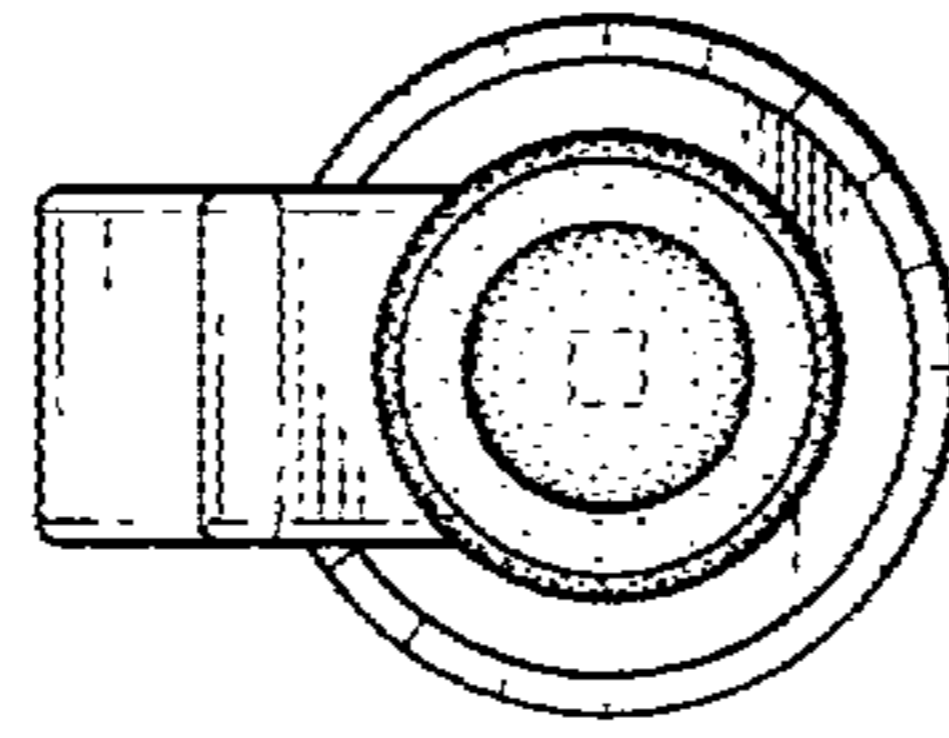


FIG. 15

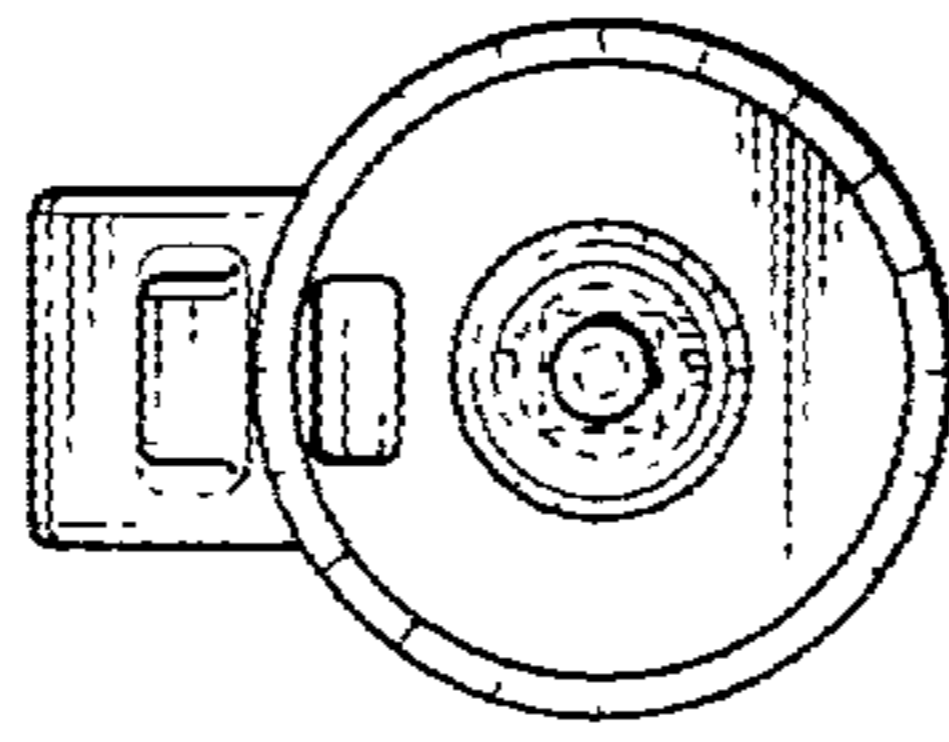


FIG. 14

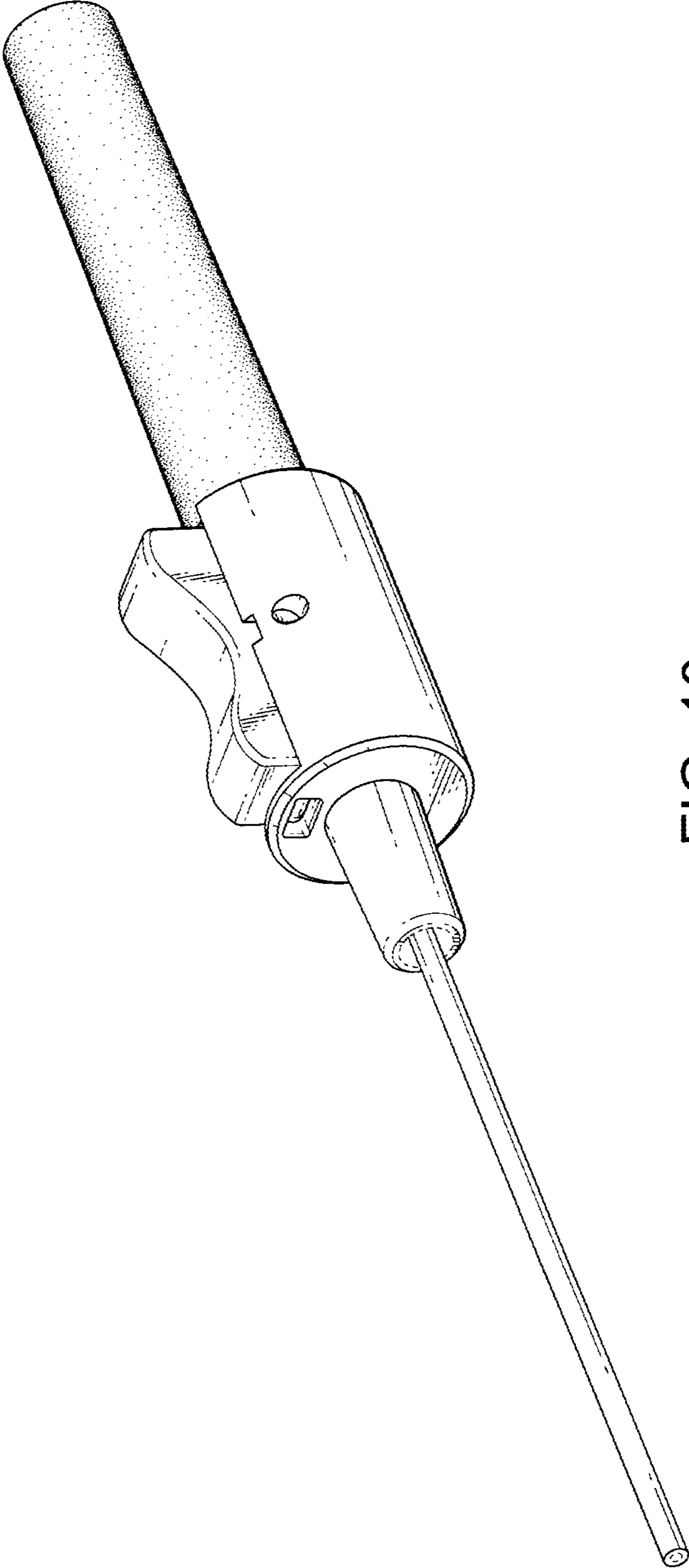


FIG. 16

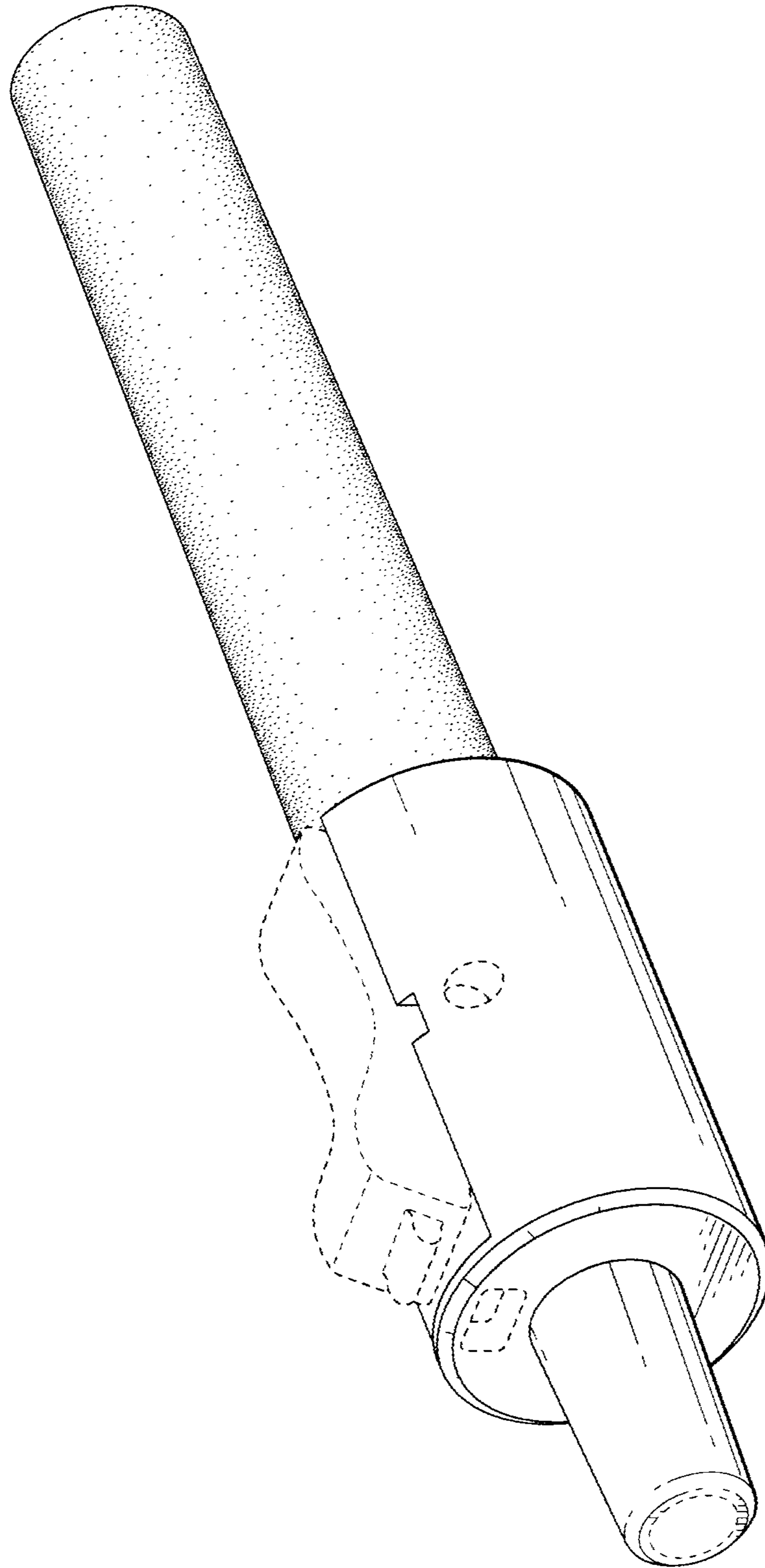


FIG. 17

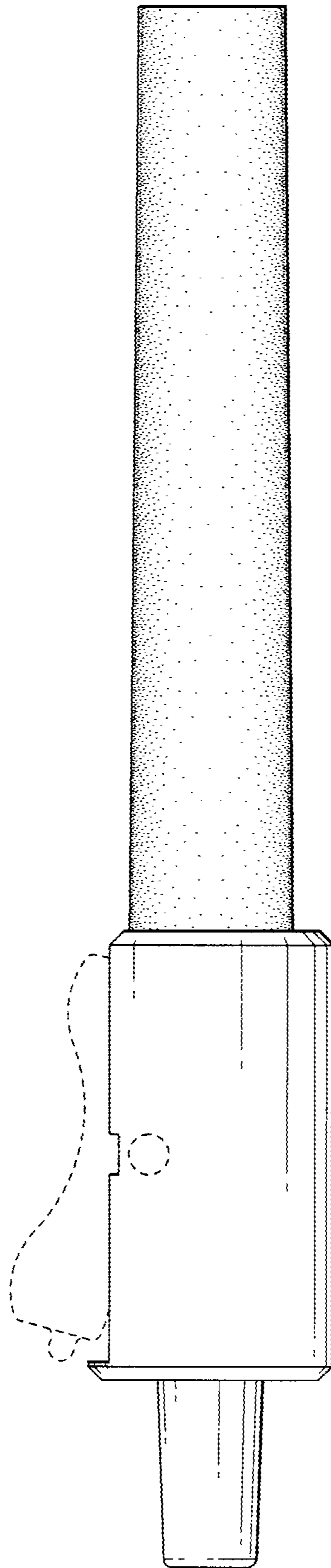


FIG. 18

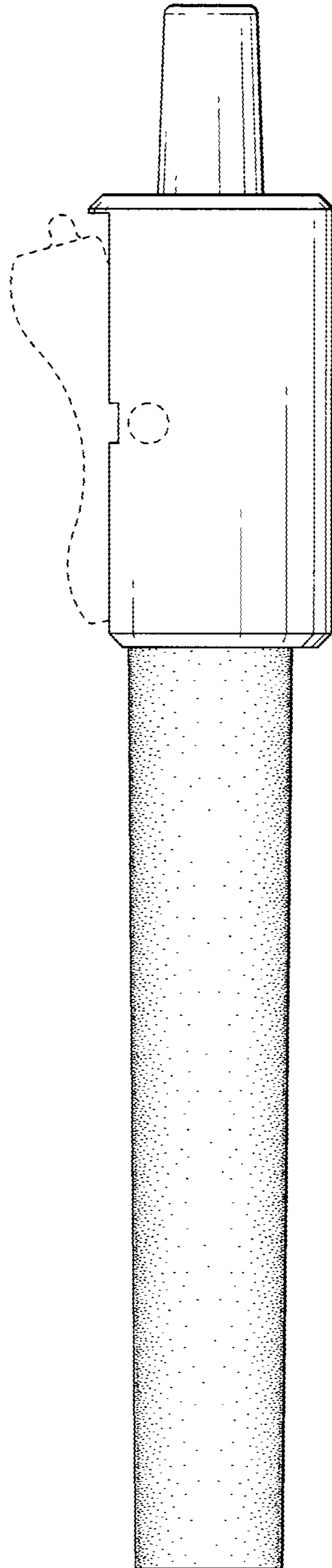


FIG. 19

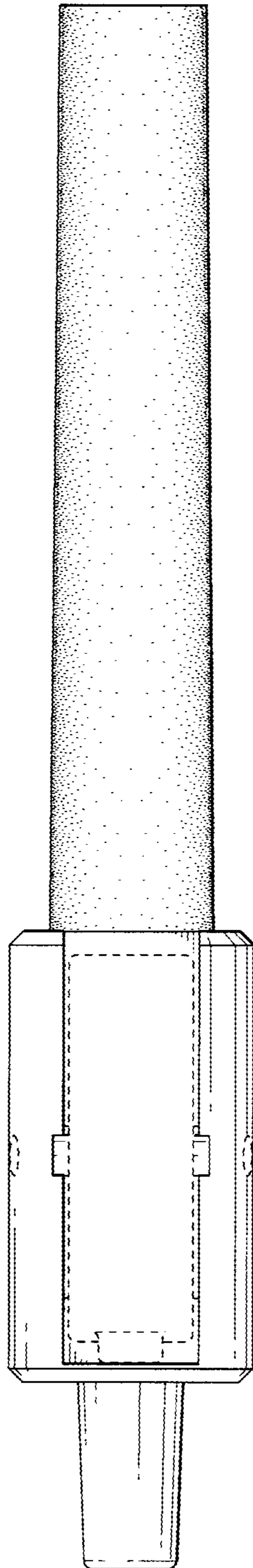


FIG. 20

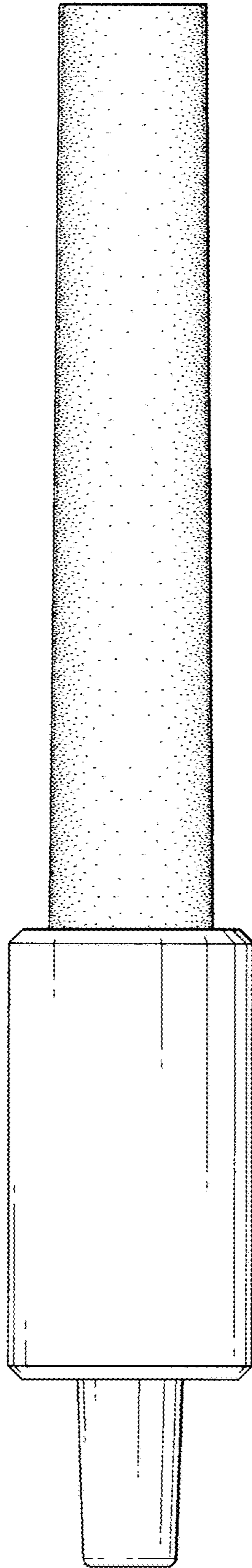


FIG. 21

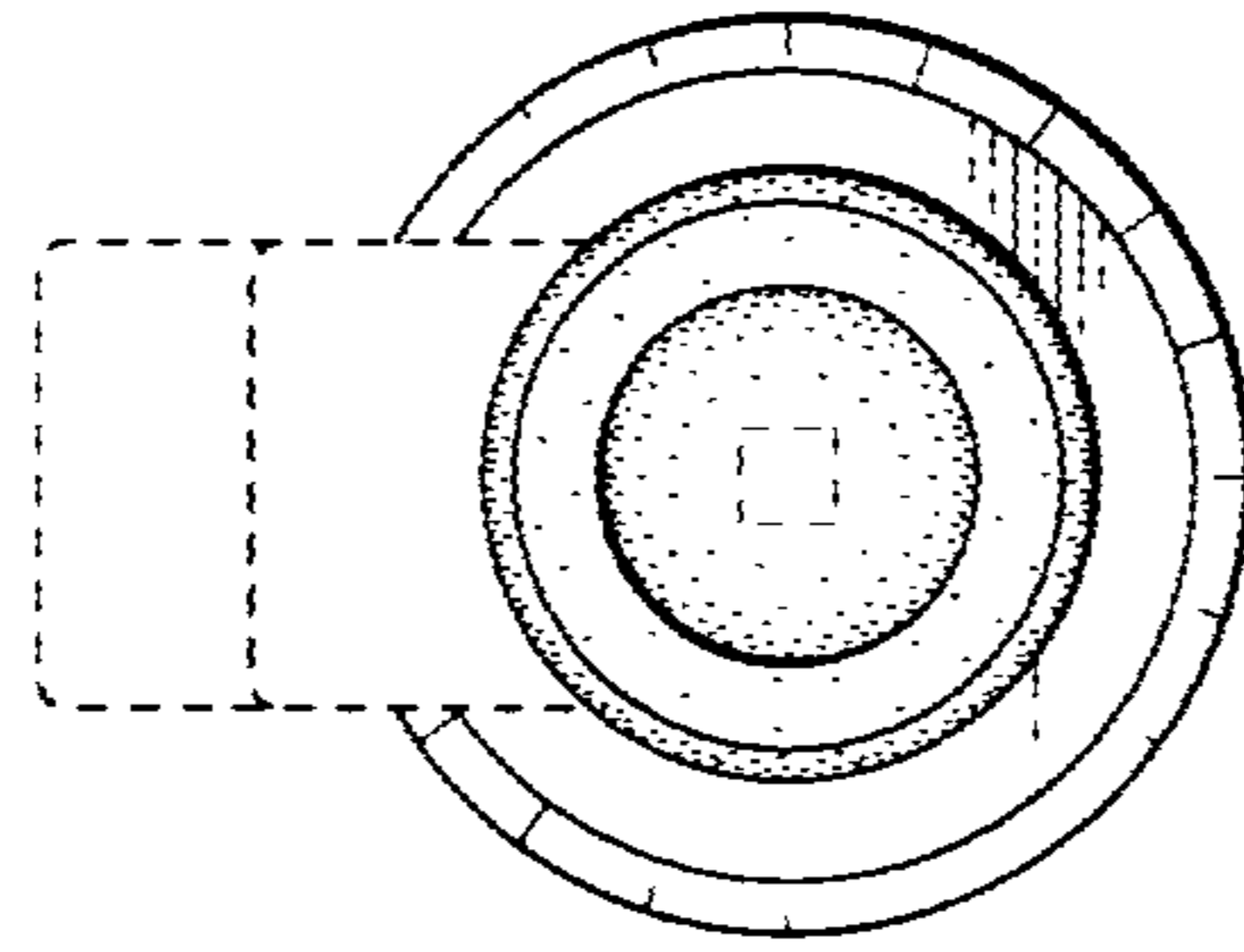


FIG. 23

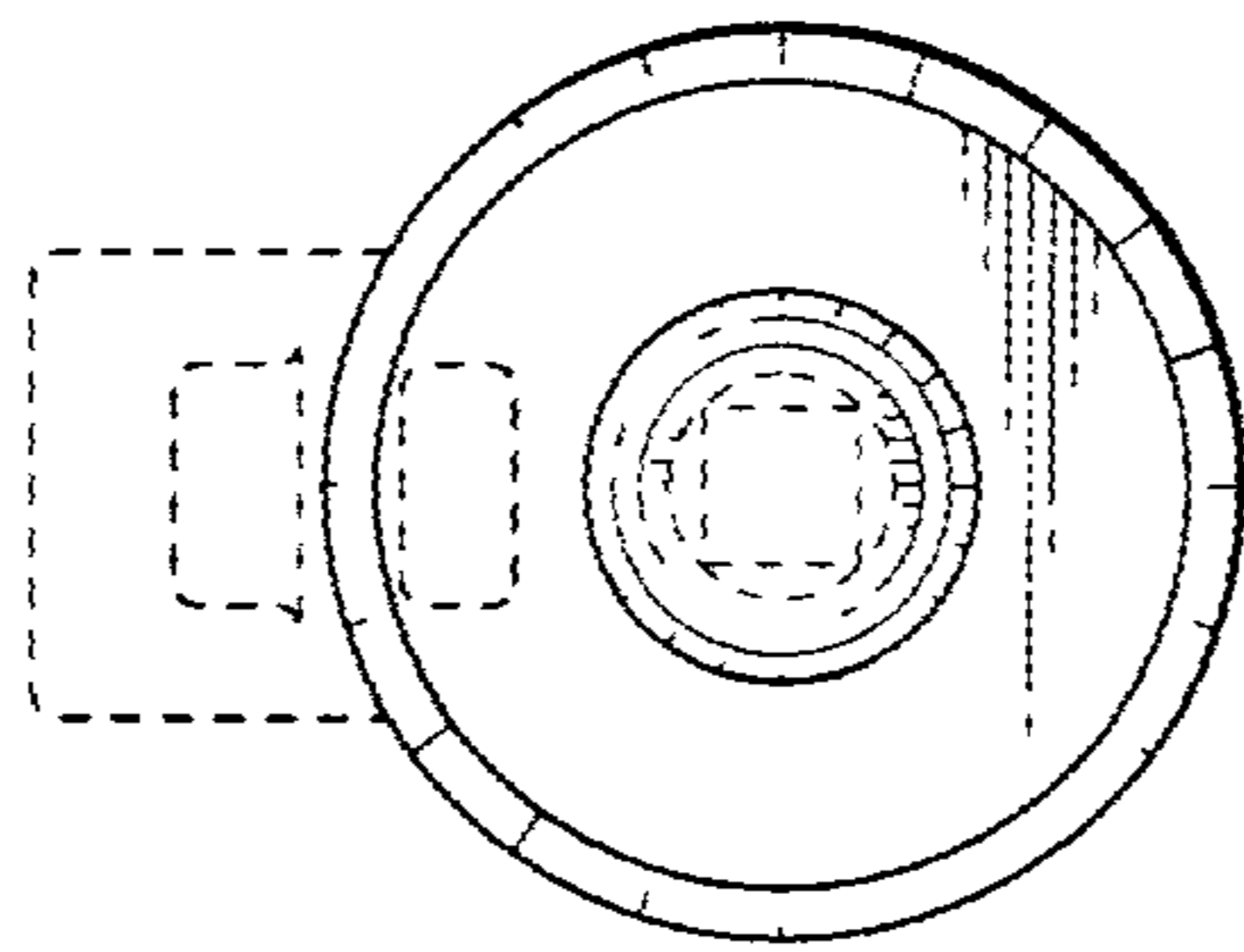


FIG. 22

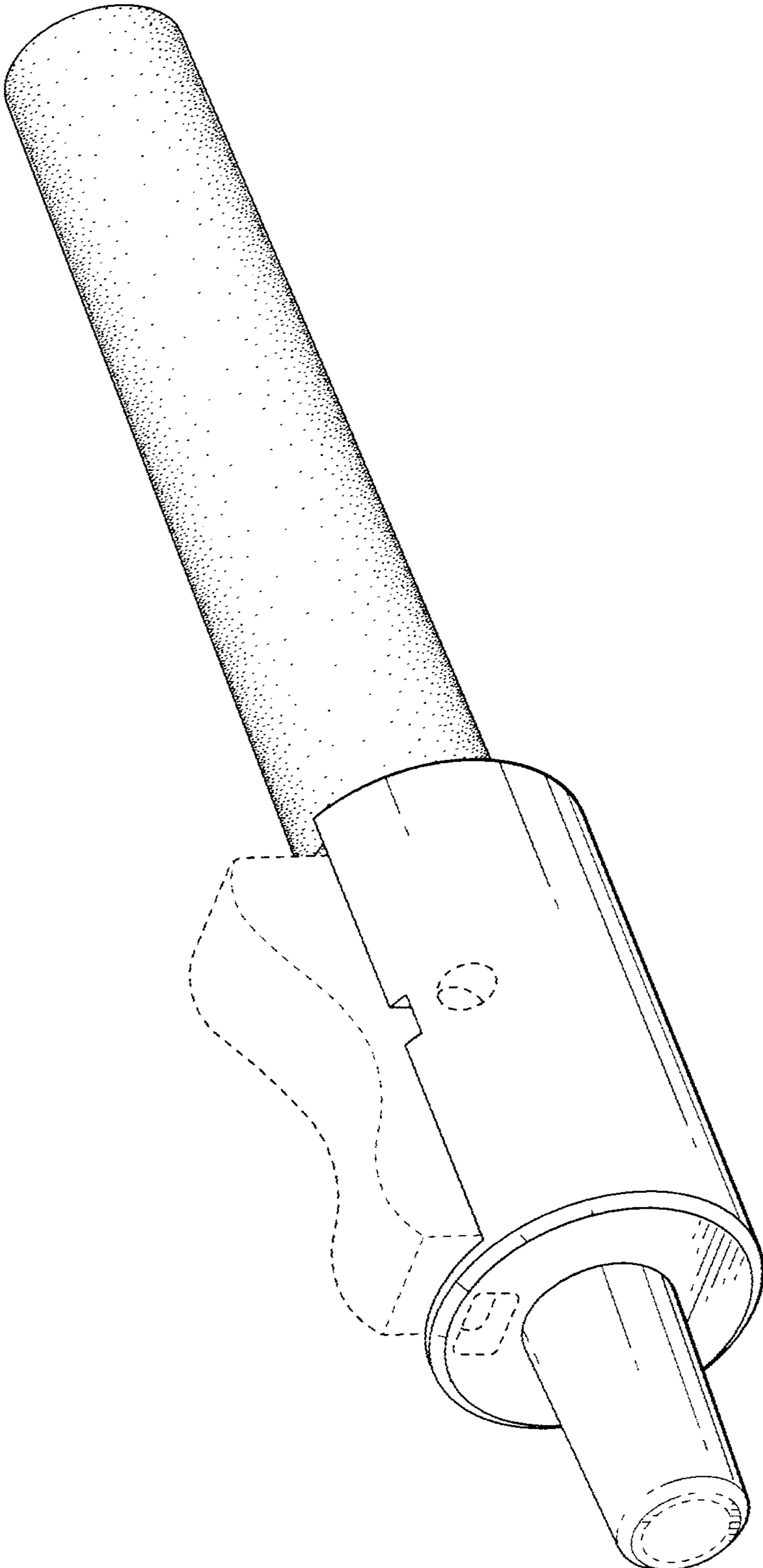


FIG. 24