



US00D810928S

(12) **United States Design Patent**
Teufel

(10) **Patent No.:** **US D810,928 S**

(45) **Date of Patent:** **** Feb. 20, 2018**

- (54) **REMOVAL TUBE**
- (71) Applicant: **Karl Storz GmbH & Co. KG,**
Tuttlingen (DE)
- (72) Inventor: **Felix Teufel,** Tuttlingen (DE)
- (73) Assignee: **KARL STORZ GmbH & Co. KG,**
Tuttlingen (DE)
- (**) Term: **15 Years**
- (21) Appl. No.: **29/589,846**
- (22) Filed: **Jan. 5, 2017**

- 5,527,281 A * 6/1996 Haas A61M 25/0069
604/103
- D428,137 S * 7/2000 Phelan D24/108
- D441,863 S * 5/2001 Khalaj D24/133
- 6,478,806 B2 * 11/2002 McFarlane A61B 17/3417
606/185
- 6,494,887 B1 * 12/2002 Kaladelfos A61B 17/0469
606/119
- 8,408,210 B2 * 4/2013 Curley A61M 16/04
128/207.15
- 8,631,795 B1 * 1/2014 McMurray A61M 16/04
128/207.14
- D725,263 S * 3/2015 Honma D24/133
- D771,242 S * 11/2016 Kaufmann D24/112

* cited by examiner

(30) **Foreign Application Priority Data**

Jul. 26, 2016 (EM) 003319987-0003

- (51) **LOC (11) Cl.** **24-02**
- (52) **U.S. Cl.**
USPC **D24/112**
- (58) **Field of Classification Search**
USPC D24/112-114, 108, 133, 130, 127, 186;
606/181, 185; 604/264, 272, 187, 181,
604/184, 227; 600/101, 139, 143
CPC A61M 25/00; A61M 25/065; A61M 5/42;
A61M 25/0612; A61M 25/0043; A61M
25/0067
See application file for complete search history.

(56) **References Cited**

U.S. PATENT DOCUMENTS

- D287,165 S * 12/1986 Lipsky D24/112
- D312,872 S * 12/1990 Mahl D24/112
- D323,886 S * 2/1992 Picha D24/107
- D346,861 S * 5/1994 Martin D24/133

Primary Examiner — David Muller

(74) *Attorney, Agent, or Firm* — Muncy, Geissler, Olds & Lowe, P.C.

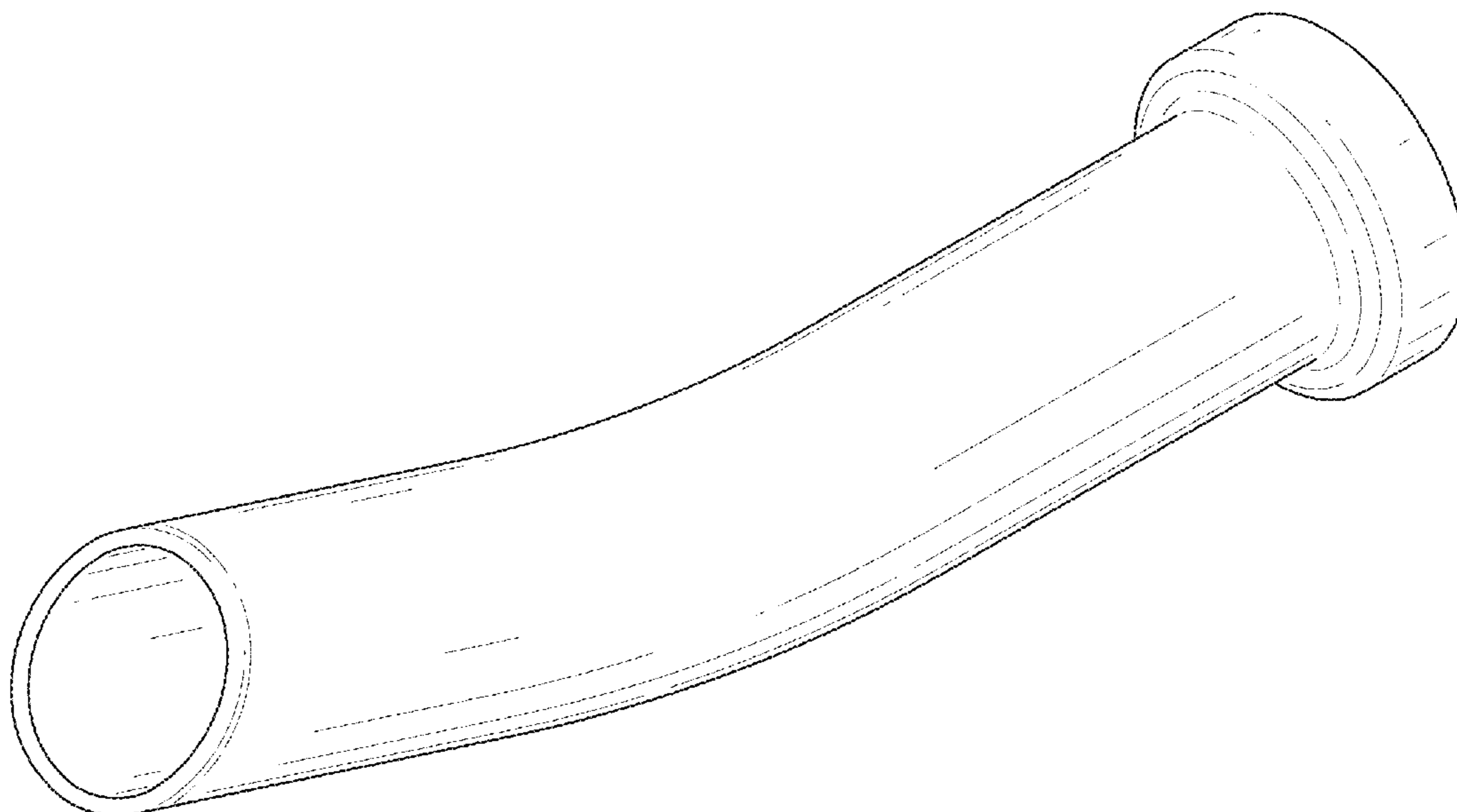
(57) **CLAIM**

The ornamental design for a removal tube, as shown and described.

DESCRIPTION

FIG. 1 is a front perspective view of a removal tube according to the present invention.
 FIG. 2 is a front view of the removal tube of FIG. 1.
 FIG. 3 is a rear view of the removal tube of FIG. 1.
 FIG. 4 is a left side view of the removal tube of FIG. 1.
 FIG. 5 is a right side view of the removal tube of FIG. 1.
 FIG. 6 is a top view of the removal tube of FIG. 1; and,
 FIG. 7 is a bottom view of the removal tube of FIG. 1.
 The dashed lines illustrate environment that does not form a part of the present invention, and no claim is made to the material illustrated with dashed lines.

1 Claim, 7 Drawing Sheets



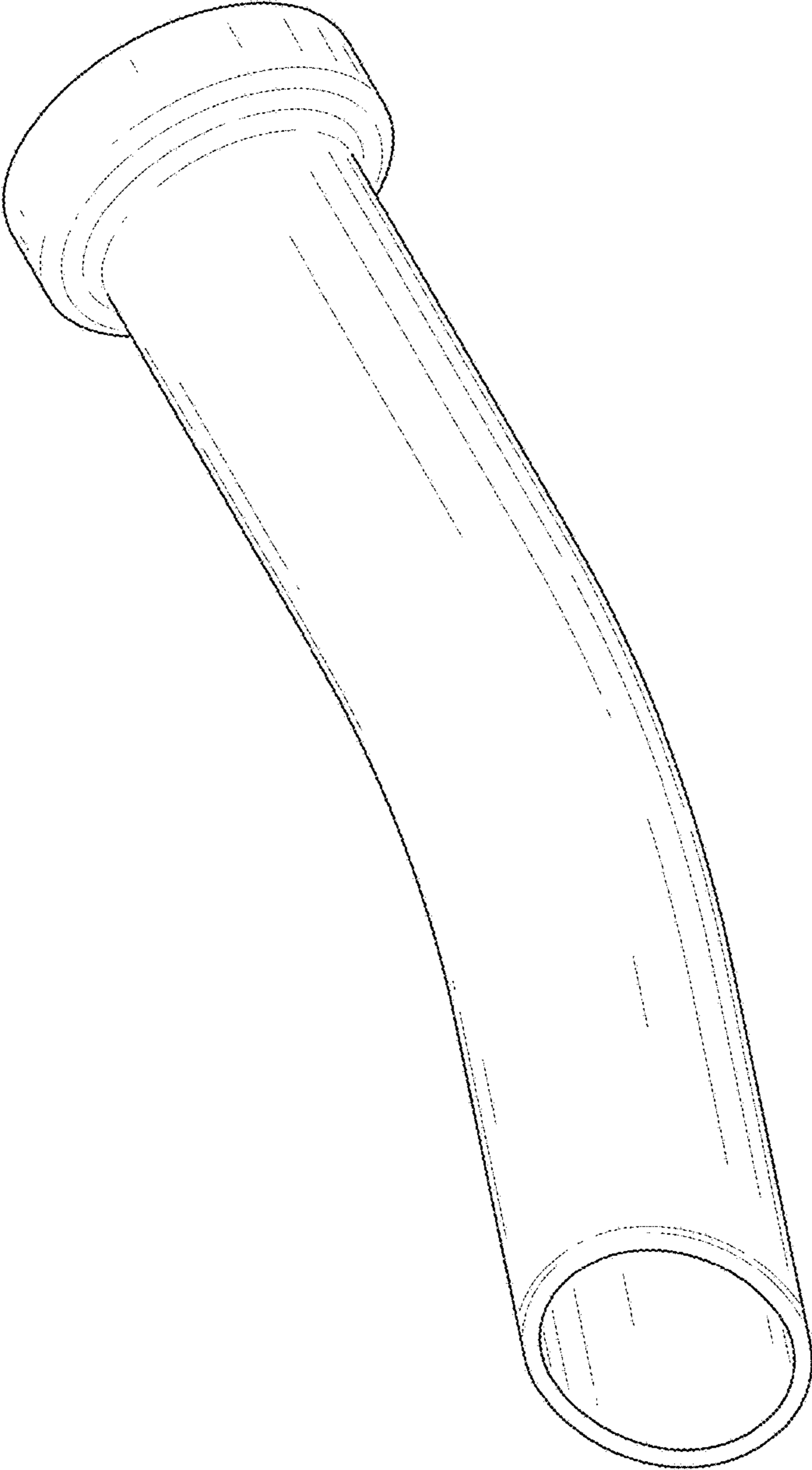


FIG.1

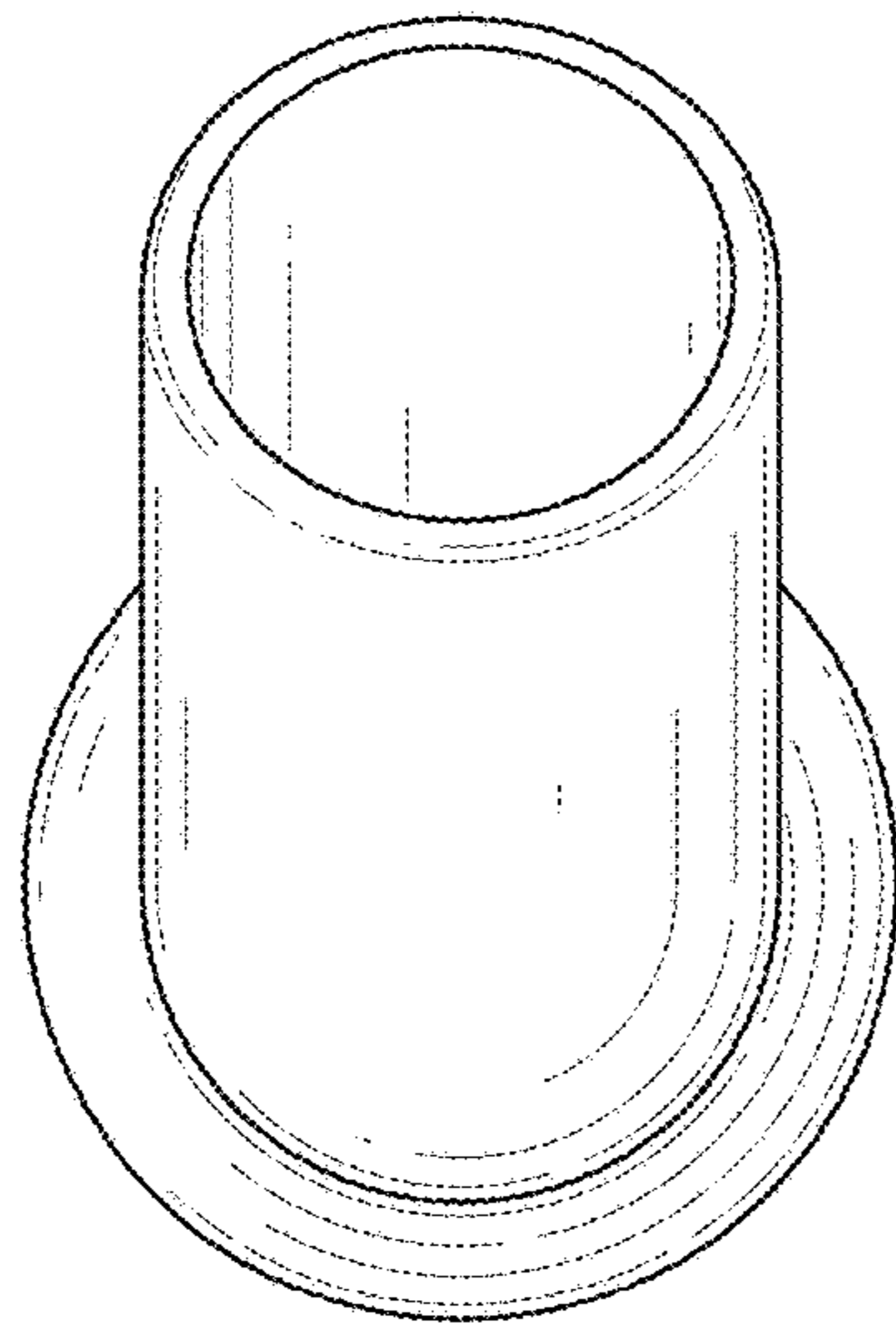


FIG.2

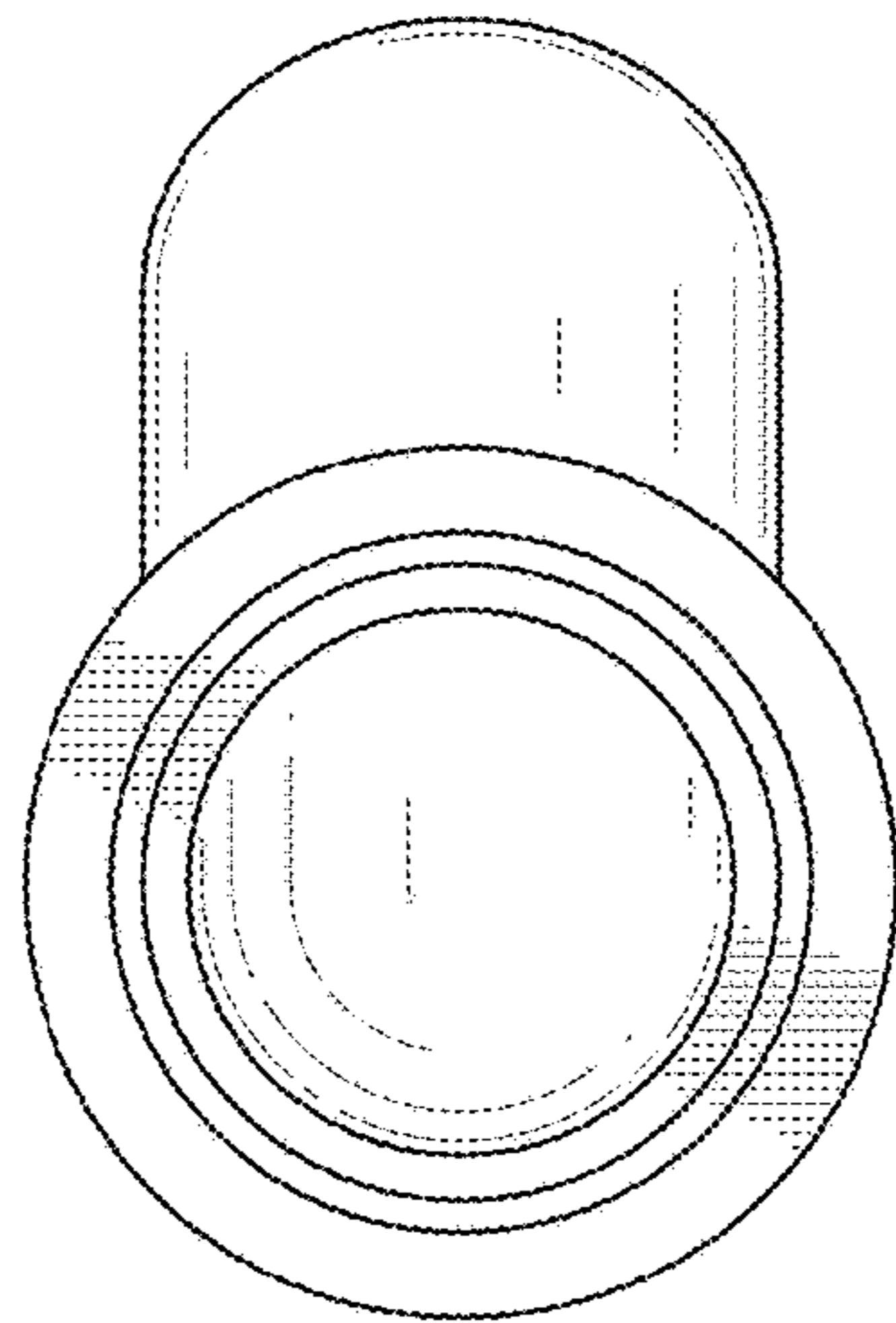


FIG.3

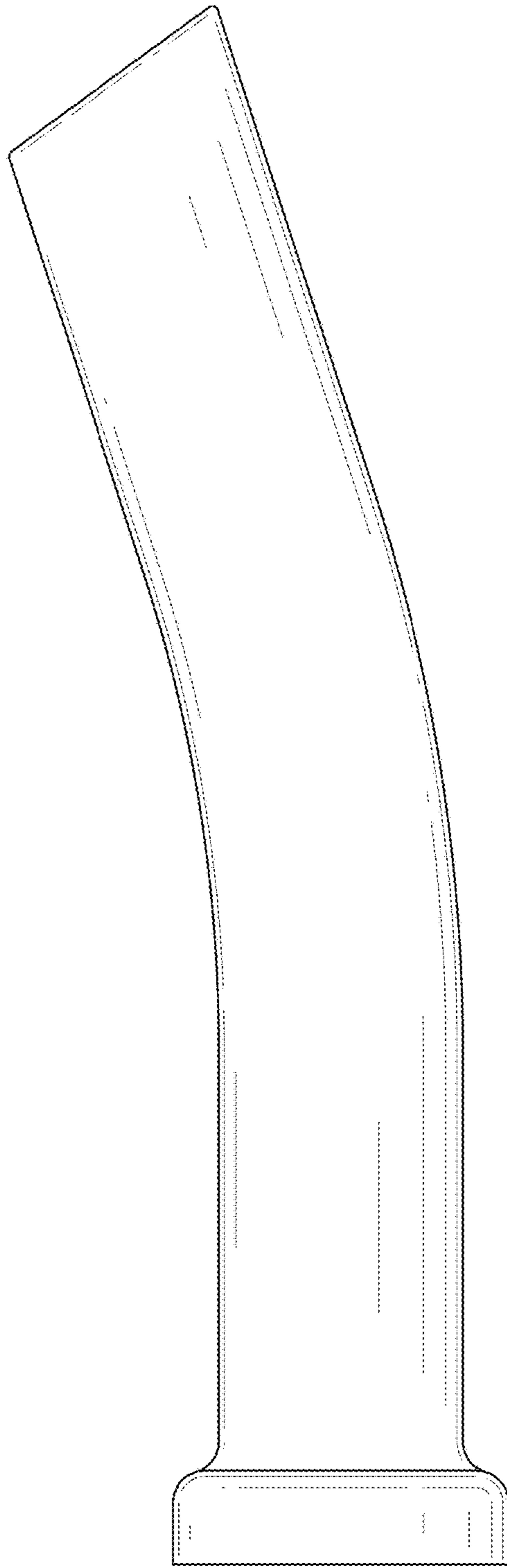


FIG.4

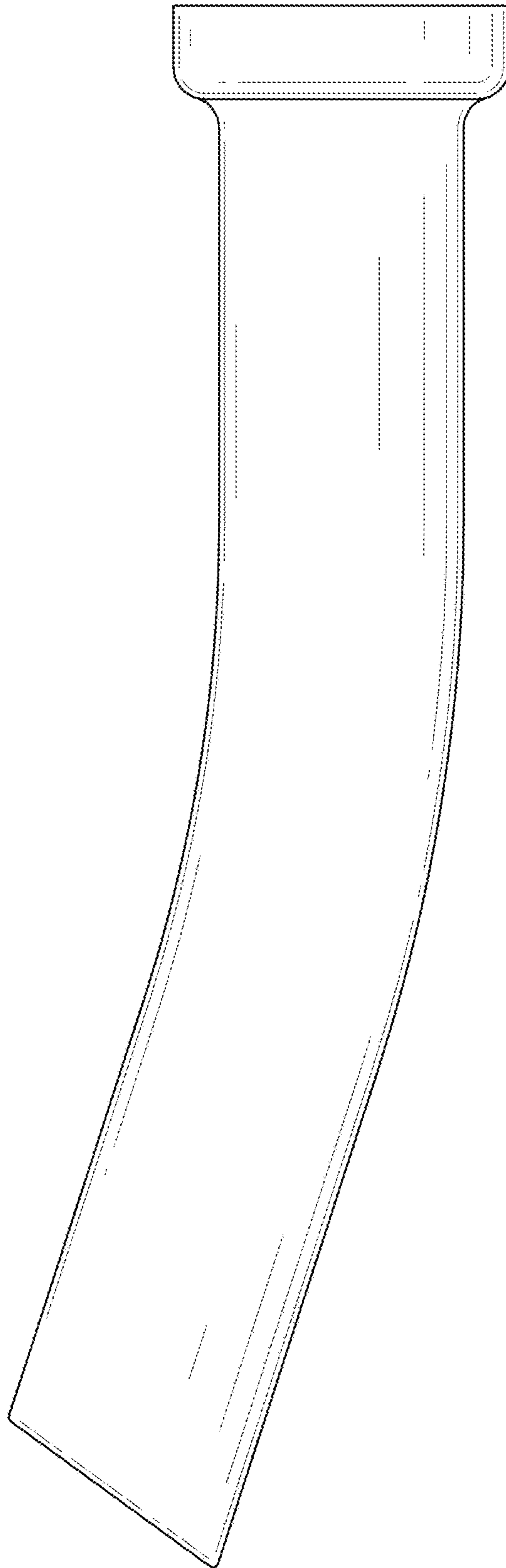


FIG.5

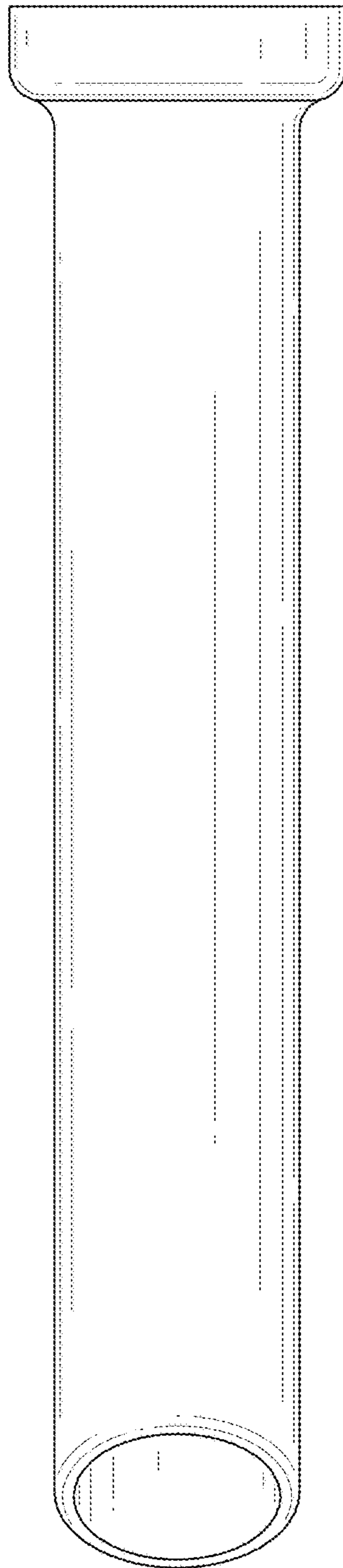


FIG.6

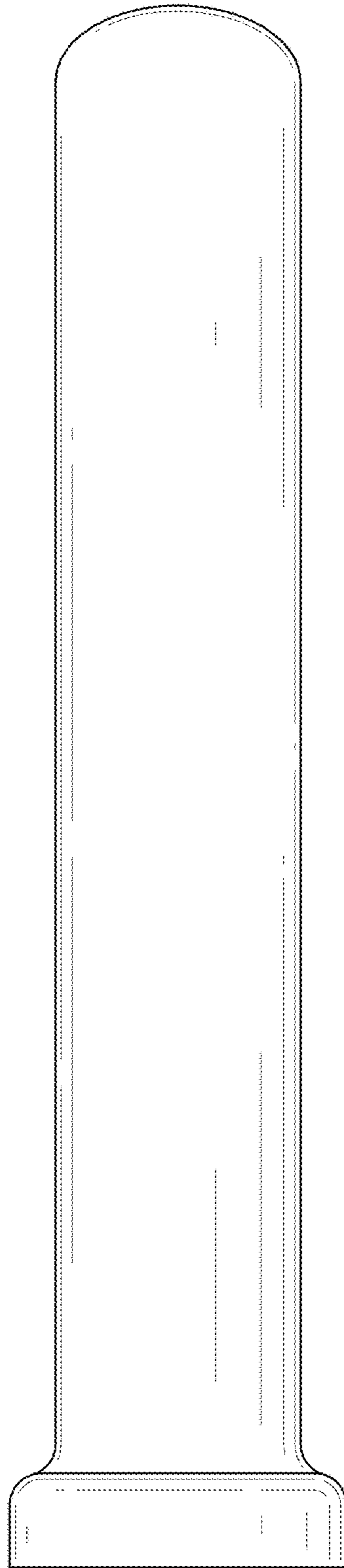


FIG.7