



US00D810924S

(12) **United States Design Patent**
Emmenegger et al.

(10) **Patent No.:** **US D810,924 S**
(45) **Date of Patent:** **** Feb. 20, 2018**

(54) **BREASTSHIELD FOR A BREASTPUMP**
(71) Applicant: **MEDELA HOLDING AG**, Baar (CH)
(72) Inventors: **Bernhard Emmenegger**, Lucerne (CH); **Daniela Käppeli**, Zug (CH); **Mario Rigert**, Buchrain (CH); **André Schlienger**, Maschwanden (CH); **Etienne Furrer**, Zug (CH); **Marcel Muther**, Ebikon (CH)
(73) Assignee: **MEDELA HOLDING AG**, Baar (CH)
(**) Term: **15 Years**

D446,853 S * 8/2001 Johansen D24/109
6,383,164 B1 * 5/2002 Johansen A61M 1/06
604/74
6,387,072 B1 * 5/2002 Larsson A61M 1/06
604/74
6,585,686 B2 * 7/2003 Cloud A61M 1/06
604/74
6,673,037 B1 * 1/2004 Silver A61M 1/06
604/74
6,974,440 B2 12/2005 Silver
D564,656 S * 3/2008 Matsutori D24/109
D609,330 S * 2/2010 Paterson D24/109
D609,331 S * 2/2010 Paterson D24/109
7,682,334 B2 3/2010 Greter et al.
7,727,182 B2 * 6/2010 Silver A61M 1/06
604/74
7,766,865 B2 8/2010 Rollin
D636,072 S * 4/2011 Silver D24/109
7,950,980 B2 5/2011 Solberg et al.
8,052,634 B2 11/2011 Thommen et al.

(21) Appl. No.: **29/536,803**
(22) Filed: **Aug. 19, 2015**

(30) **Foreign Application Priority Data**
Feb. 20, 2015 (WO) 874300501
(51) **LOC (11) Cl.** **24-02**
(52) **U.S. Cl.**
USPC **D24/109**
(58) **Field of Classification Search**
USPC D24/108, 109, 127; 604/74-76
CPC A61M 1/062; A61M 1/06; A61M 1/066;
A61M 1/064; A61J 9/00; A61J 9/001
See application file for complete search history.

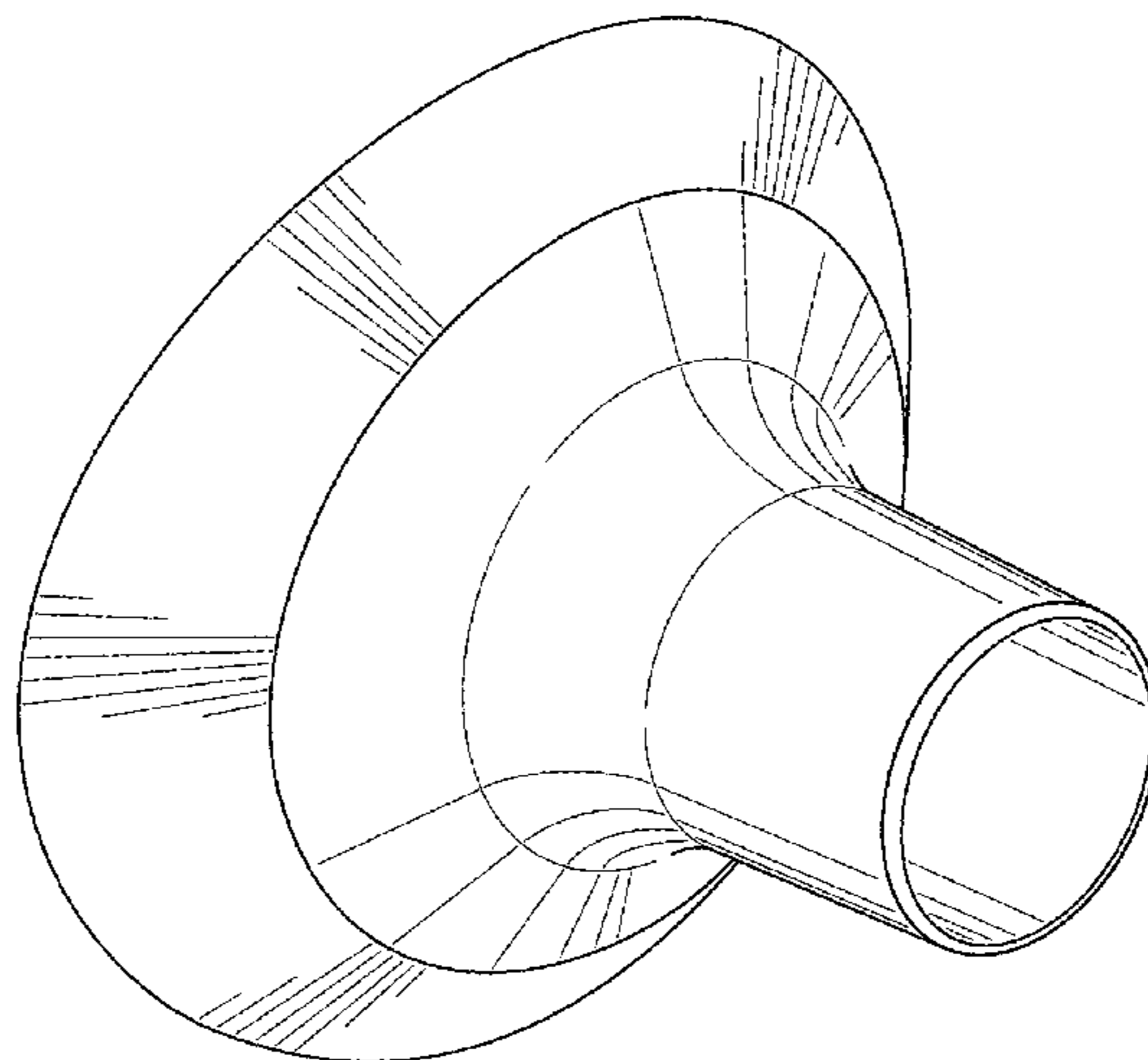
(Continued)
Primary Examiner — Barbara Fox
Assistant Examiner — Lilyana Bekic
(74) *Attorney, Agent, or Firm* — Marshall, Gerstein & Borun LLP

(56) **References Cited**
U.S. PATENT DOCUMENTS
D283,732 S 5/1986 Elliott
4,950,236 A * 8/1990 Wilson A61M 1/0037
215/11.5
5,049,126 A * 9/1991 Larsson A61M 1/066
604/74
5,941,847 A * 8/1999 Huber A61M 1/06
604/74
D446,852 S * 8/2001 Johansen D24/109

(57) **CLAIM**
The ornamental design for a breastshield for a breastpump, as shown and described.

DESCRIPTION
FIG. 1 is a first top perspective view of a breastshield for a breastpump of the present invention.
FIG. 2 is a second perspective view thereof;
FIG. 3 is a right side view thereof;
FIG. 4 is a left side view thereof;
FIG. 5 is a front view thereof;
FIG. 6 is a back view thereof;
FIG. 7 is a top view thereof; and,
FIG. 8 is a bottom view thereof.

1 Claim, 8 Drawing Sheets



(56)

References Cited

U.S. PATENT DOCUMENTS

D683,442 S * 5/2013 Cudworth D24/109
 8,480,451 B2 7/2013 Solberg
 8,529,501 B2 9/2013 Wach et al.
 8,597,234 B2 12/2013 Larsson
 8,747,349 B2 6/2014 Silver
 2003/0153869 A1 * 8/2003 Ytteborg A61M 1/066
 604/74
 2005/0159701 A1 * 7/2005 Conaway A61M 1/06
 604/74
 2005/0228342 A1 * 10/2005 Yuen A61M 1/06
 604/74
 2006/0148380 A1 * 7/2006 Rousso A41C 3/04
 450/36
 2007/0179439 A1 * 8/2007 Vogelín A61M 1/06
 604/74
 2008/0255503 A1 * 10/2008 Quackenbush A61M 1/0031
 604/74
 2008/0287037 A1 * 11/2008 Solberg A61M 1/06
 450/36
 2010/0121267 A1 5/2010 Silver et al.
 2010/0324477 A1 * 12/2010 Paterson A61M 1/0072
 604/74
 2010/0324478 A1 * 12/2010 Kazazoglu A61M 1/0072
 604/74
 2011/0301532 A1 * 12/2011 Wach A61M 1/06
 604/74

2013/0023821 A1 1/2013 Khalil et al.
 2014/0094747 A1 * 4/2014 Hirata A61M 1/06
 604/74
 2014/0276629 A1 * 9/2014 Bauer A61M 1/06
 604/514
 2014/0323962 A1 * 10/2014 Kooijker A61M 1/06
 604/74
 2015/0065996 A1 * 3/2015 Bartlett, II A61M 1/062
 604/514
 2015/0148783 A1 * 5/2015 Bartlett, II A61M 1/06
 604/514
 2015/0157775 A1 * 6/2015 Hu A61F 7/007
 604/74
 2015/0314053 A1 11/2015 Furrer et al.
 2016/0008526 A1 * 1/2016 Tatterfield A61M 1/066
 604/74
 2016/0015876 A1 * 1/2016 Tattersfield A61M 1/06
 604/74
 2016/0082165 A1 * 3/2016 Alvarez A61M 1/062
 604/74
 2016/0114090 A1 * 4/2016 Patvibul A61M 1/062
 604/514
 2016/0158424 A1 * 6/2016 Chen A61M 1/06
 604/74
 2016/0296681 A1 * 10/2016 Gaskin A61M 1/062
 2016/0331879 A1 * 11/2016 Dann A61M 1/064
 2017/0021068 A1 * 1/2017 Gaskin A61M 1/06

* cited by examiner

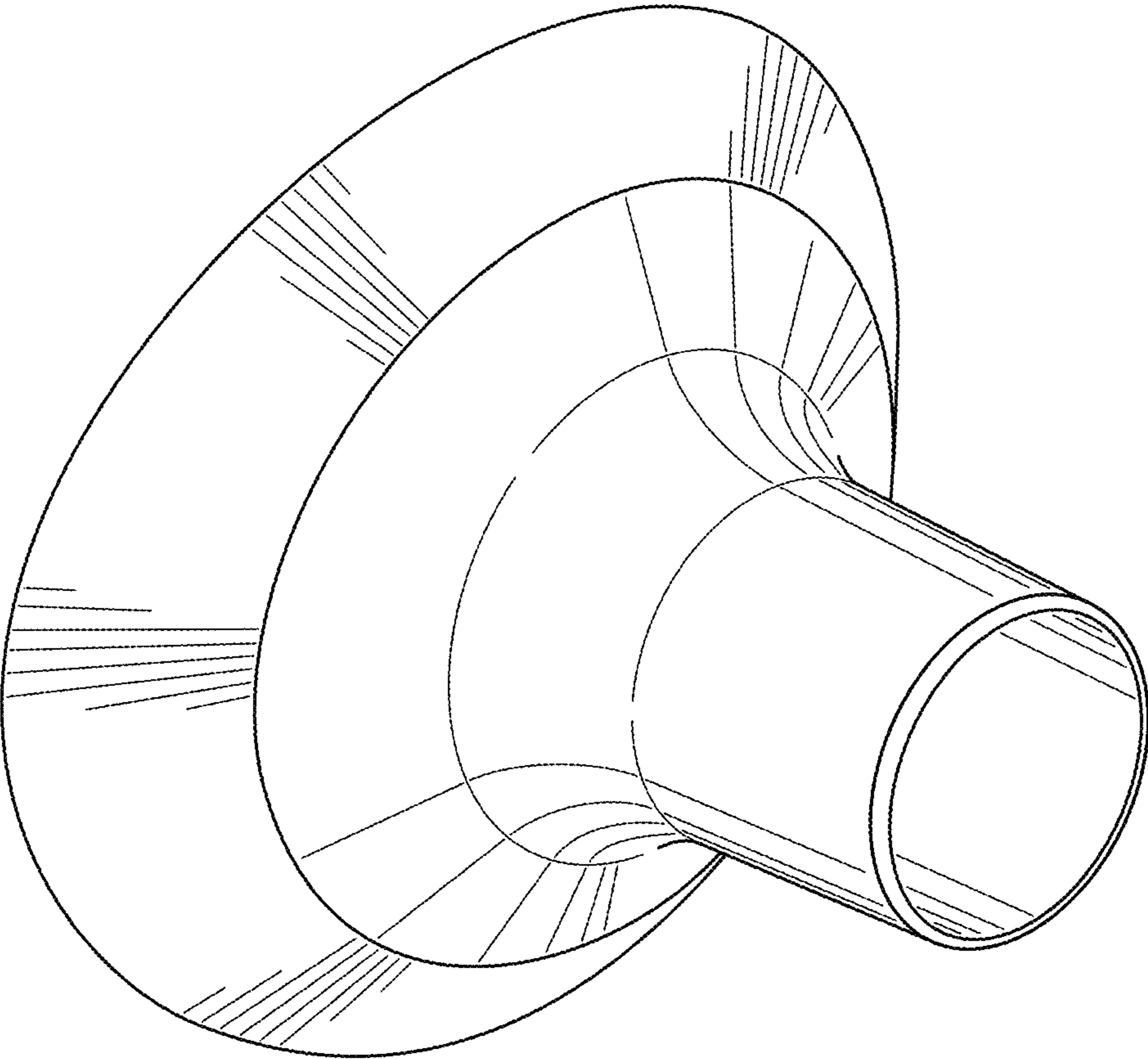


FIG. 1

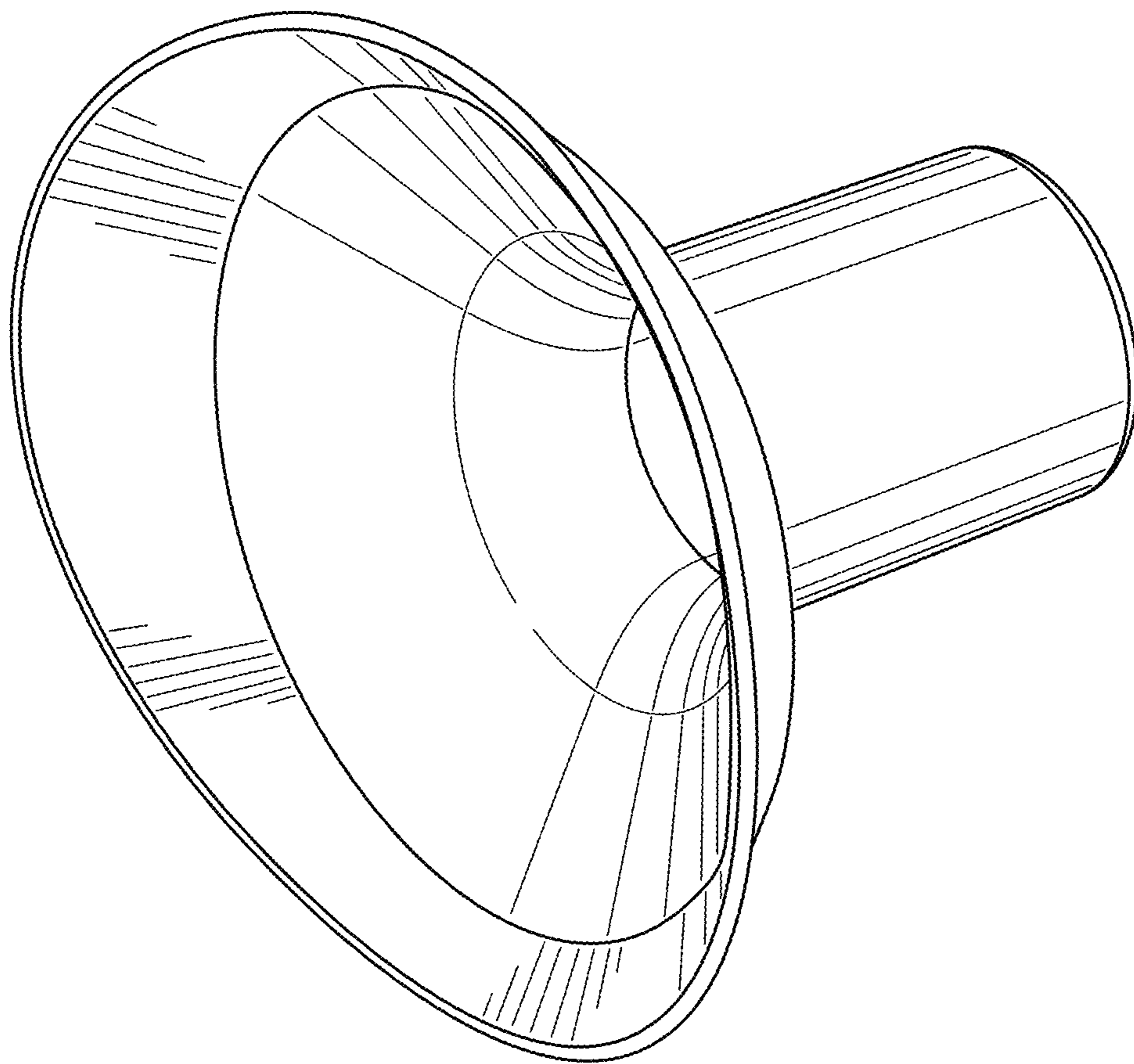


FIG. 2

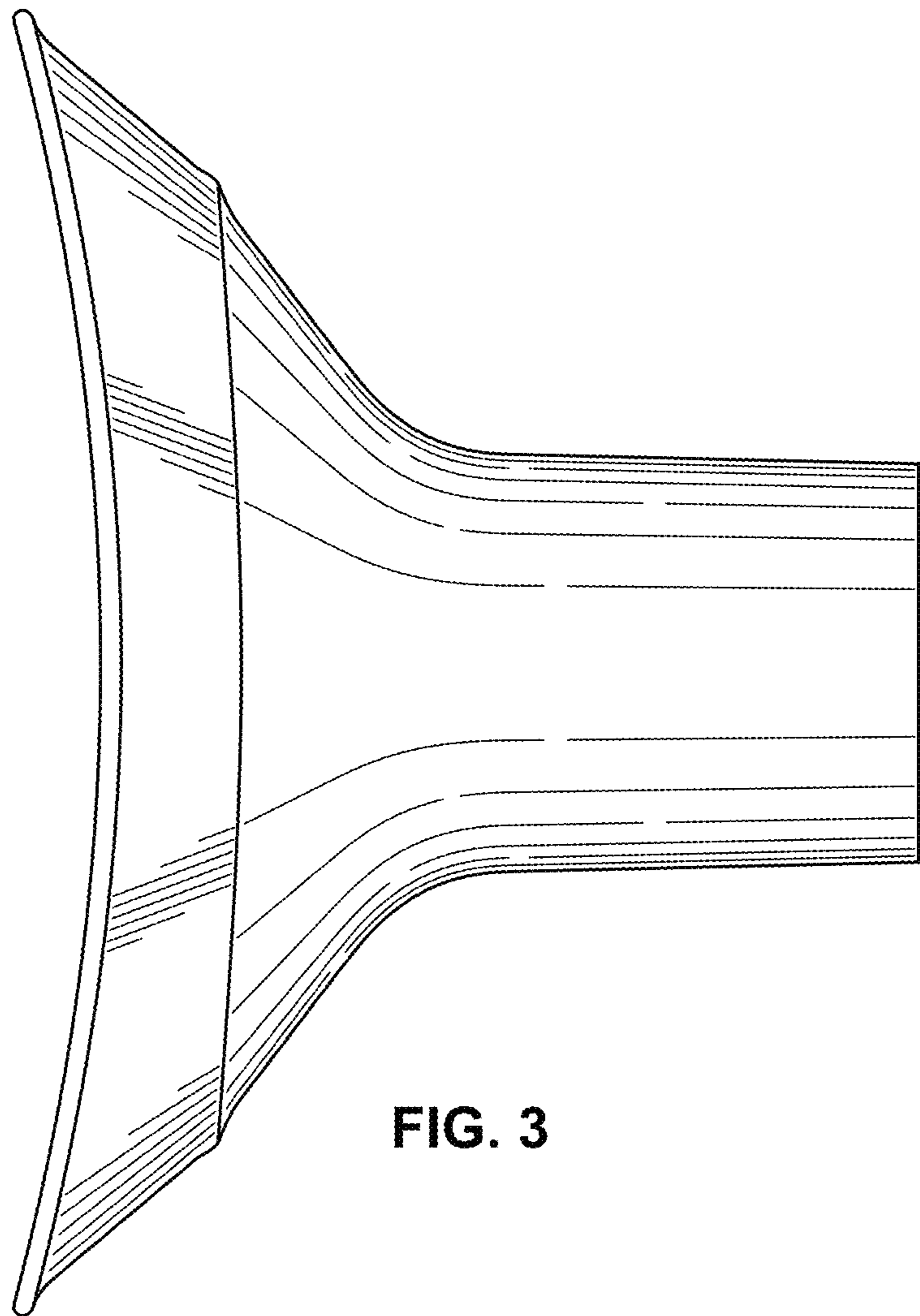


FIG. 3

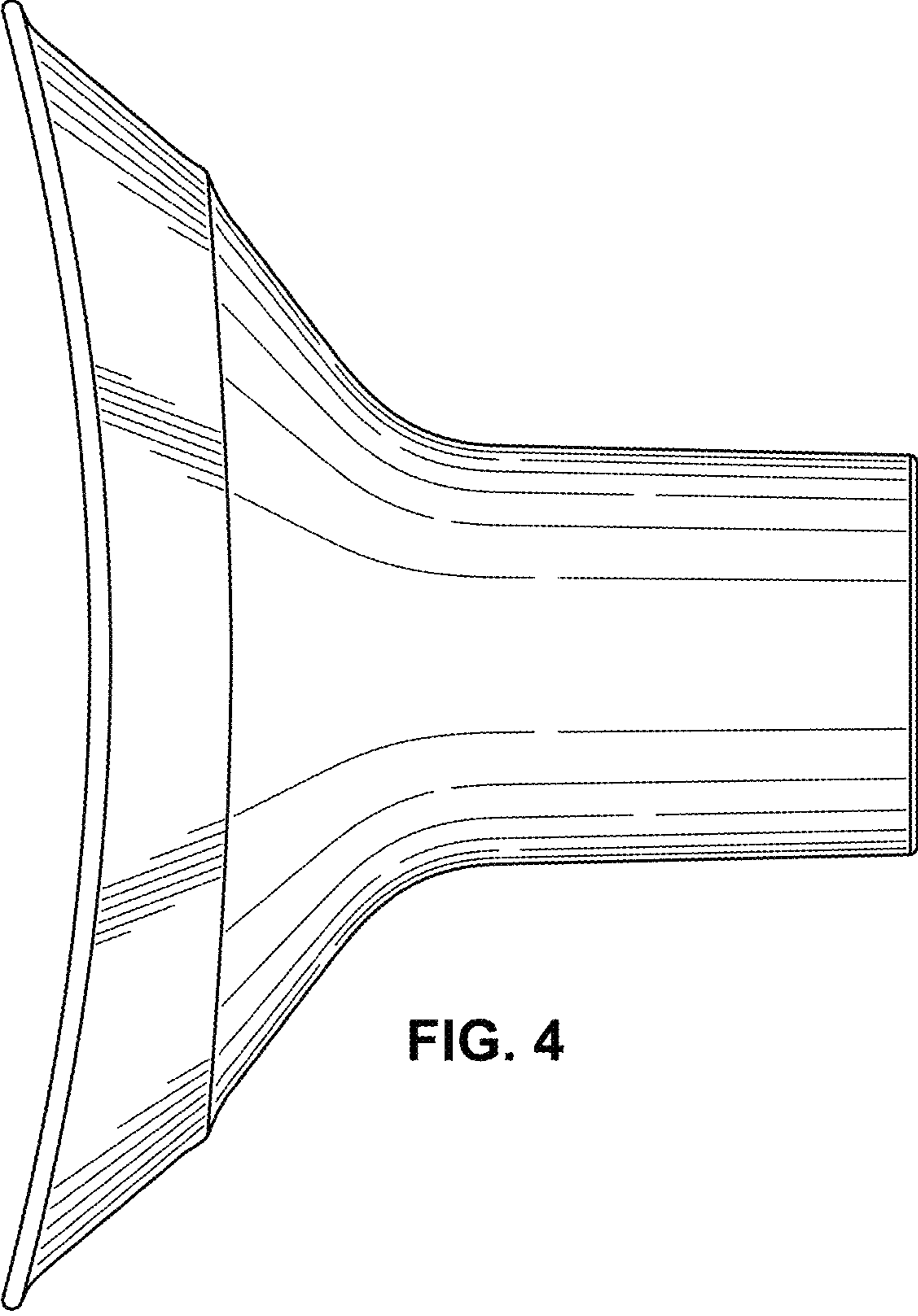


FIG. 4

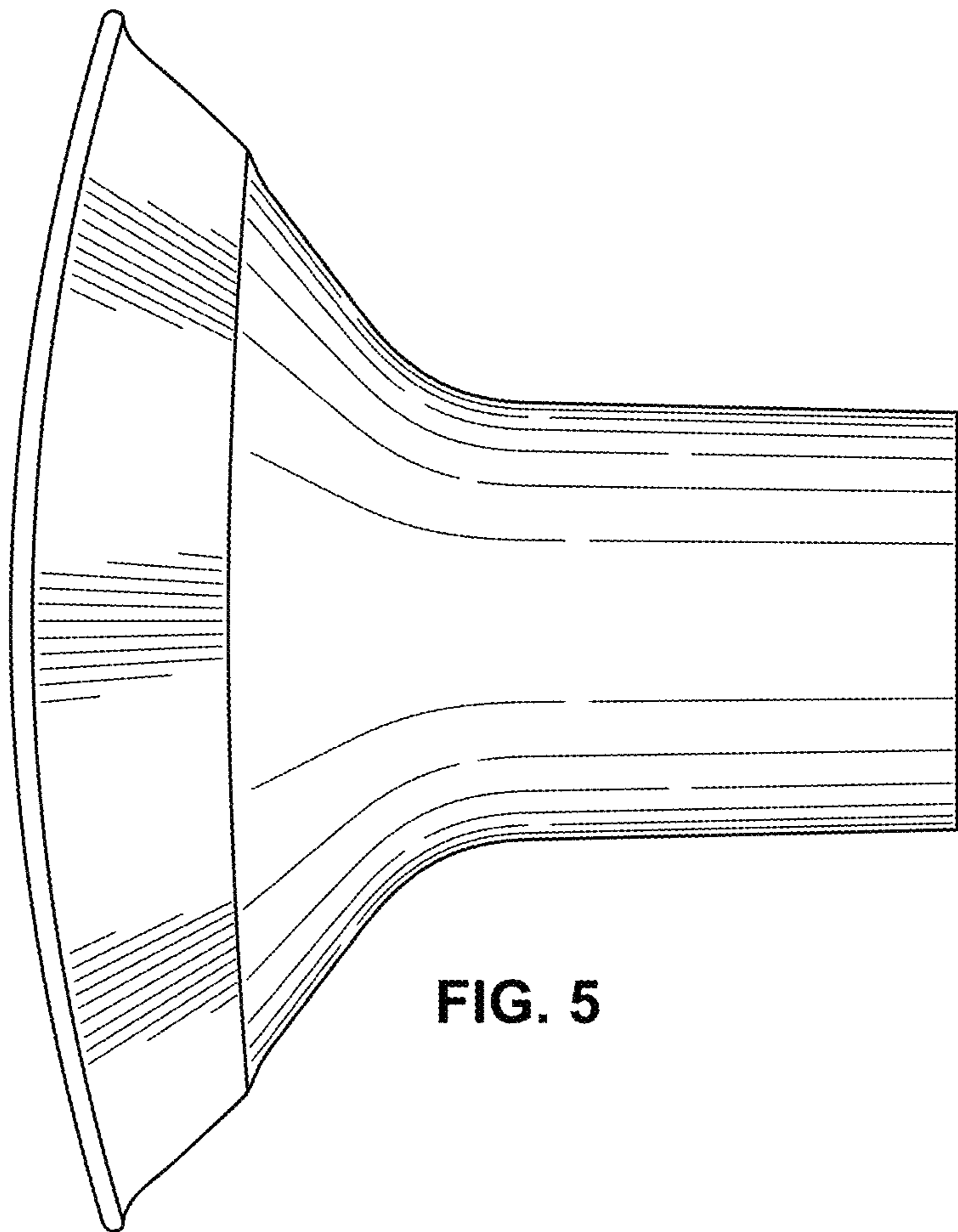


FIG. 5

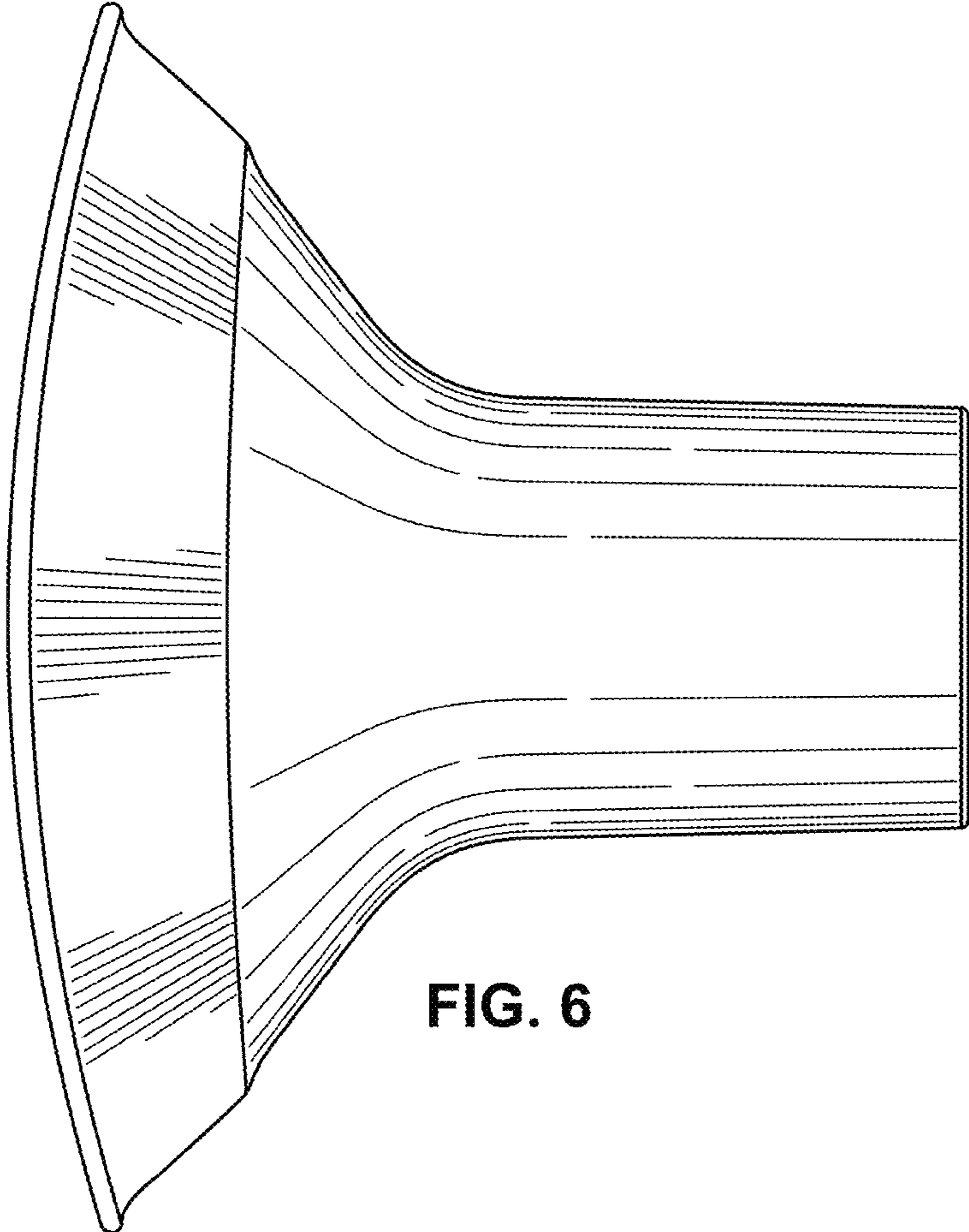


FIG. 6

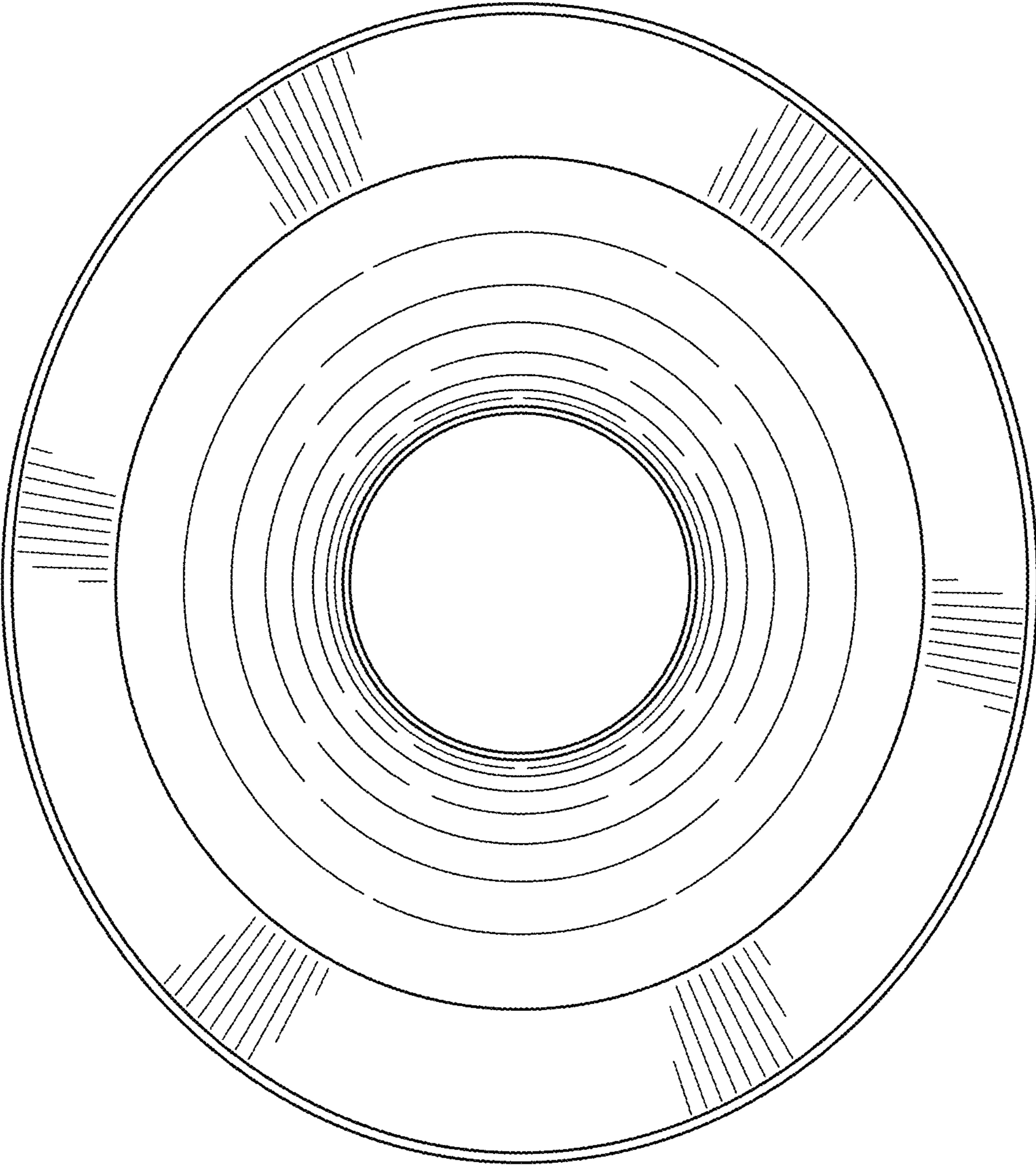


FIG. 7

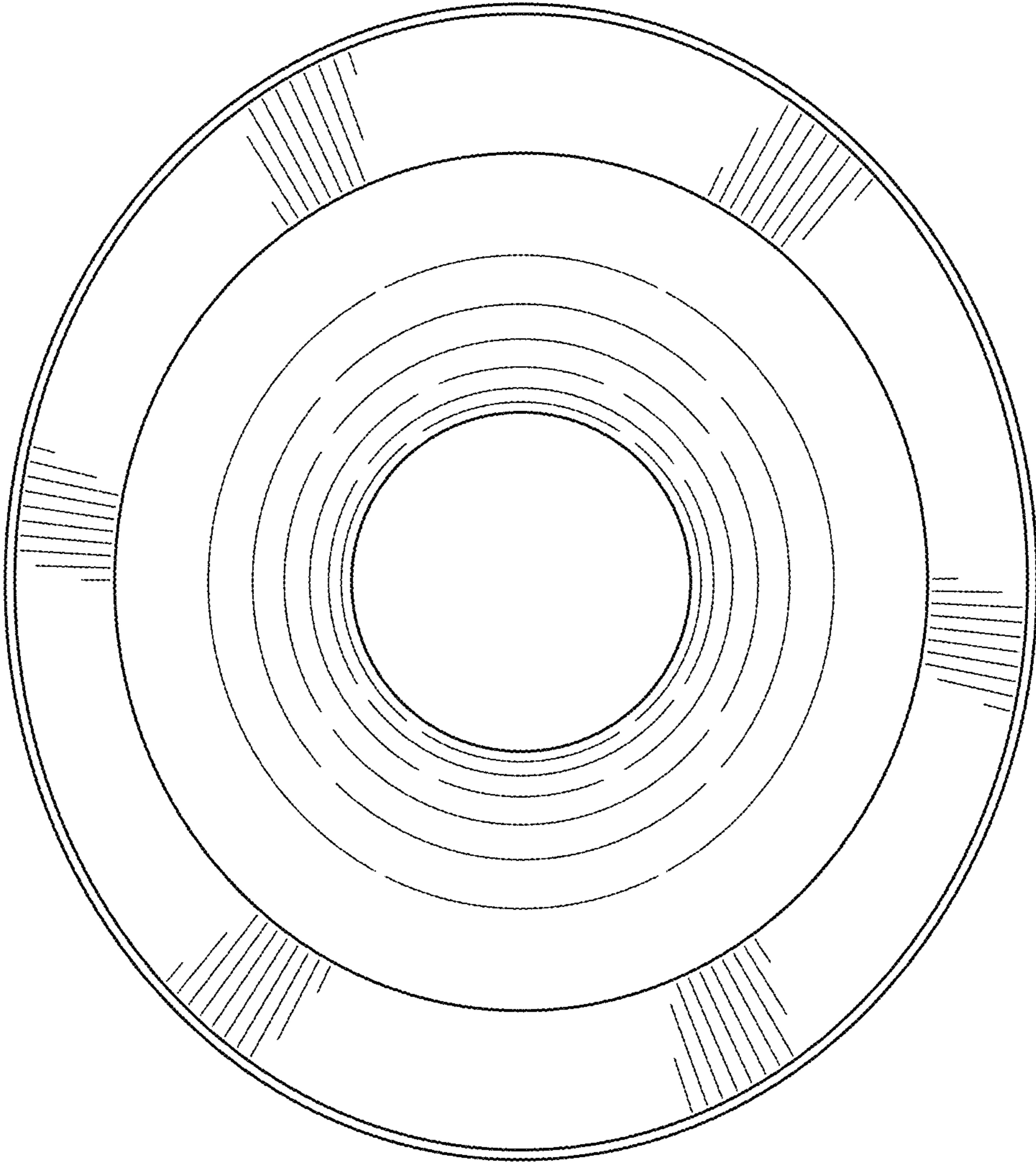


FIG. 8