



US00D810923S

(12) **United States Design Patent** (10) **Patent No.:** **US D810,923 S**
Jones (45) **Date of Patent:** **** Feb. 20, 2018**

- (54) **CEILING FAN BLADE**
- (71) Applicant: **HUNTER FAN COMPANY**,
Memphis, TN (US)
- (72) Inventor: **Stephen David Michael Jones**, Sandy
Springs, GA (US)
- (73) Assignee: **Hunter Fan Company**, Memphis, TN
(US)
- (**) Term: **15 Years**
- (21) Appl. No.: **29/611,277**
- (22) Filed: **Jul. 20, 2017**

- D670,802 S * 11/2012 Wang D23/413
 - D671,203 S 11/2012 Wang
 - D707,336 S 6/2014 Pan
 - D715,421 S * 10/2014 Schulzman D23/413
 - D716,438 S 10/2014 Liu
 - D721,429 S 1/2015 Busta
- (Continued)

Related U.S. Application Data

- (62) Division of application No. 29/547,551, filed on Dec.
4, 2015, now Pat. No. Des. 799,660.
- (51) **LOC (11) Cl.** **23-04**
- (52) **U.S. Cl.**
USPC **D23/413**
- (58) **Field of Classification Search**
USPC D23/370, 377, 379, 385, 411, 413;
D26/59
CPC F04D 25/08; F04D 29/388; F04D 29/34;
F04D 25/088
See application file for complete search history.

References Cited

U.S. PATENT DOCUMENTS

- D509,295 S * 9/2005 Stauffer D23/413
- D535,011 S 1/2007 Gajewski
- D535,387 S * 1/2007 Gajewski D23/413
- D535,388 S * 1/2007 Gajewski D23/413
- D581,037 S 11/2008 Dyson et al.
- D596,285 S * 7/2009 Liu D23/413
- D598,998 S 8/2009 Flores

OTHER PUBLICATIONS

[http://www.fanimation.com/products/jennix/Item Specification for The Jennix Contemporary Elegance Fan, FPD7943MG](http://www.fanimation.com/products/jennix/Item%20Specification%20for%20The%20Jennix%20Contemporary%20Elegance%20Fan,%20FPD7943MG), accessed Dec. 4, 2015.

(Continued)

Primary Examiner — Janice Hallmark
(74) *Attorney, Agent, or Firm* — McGarry Bair PC

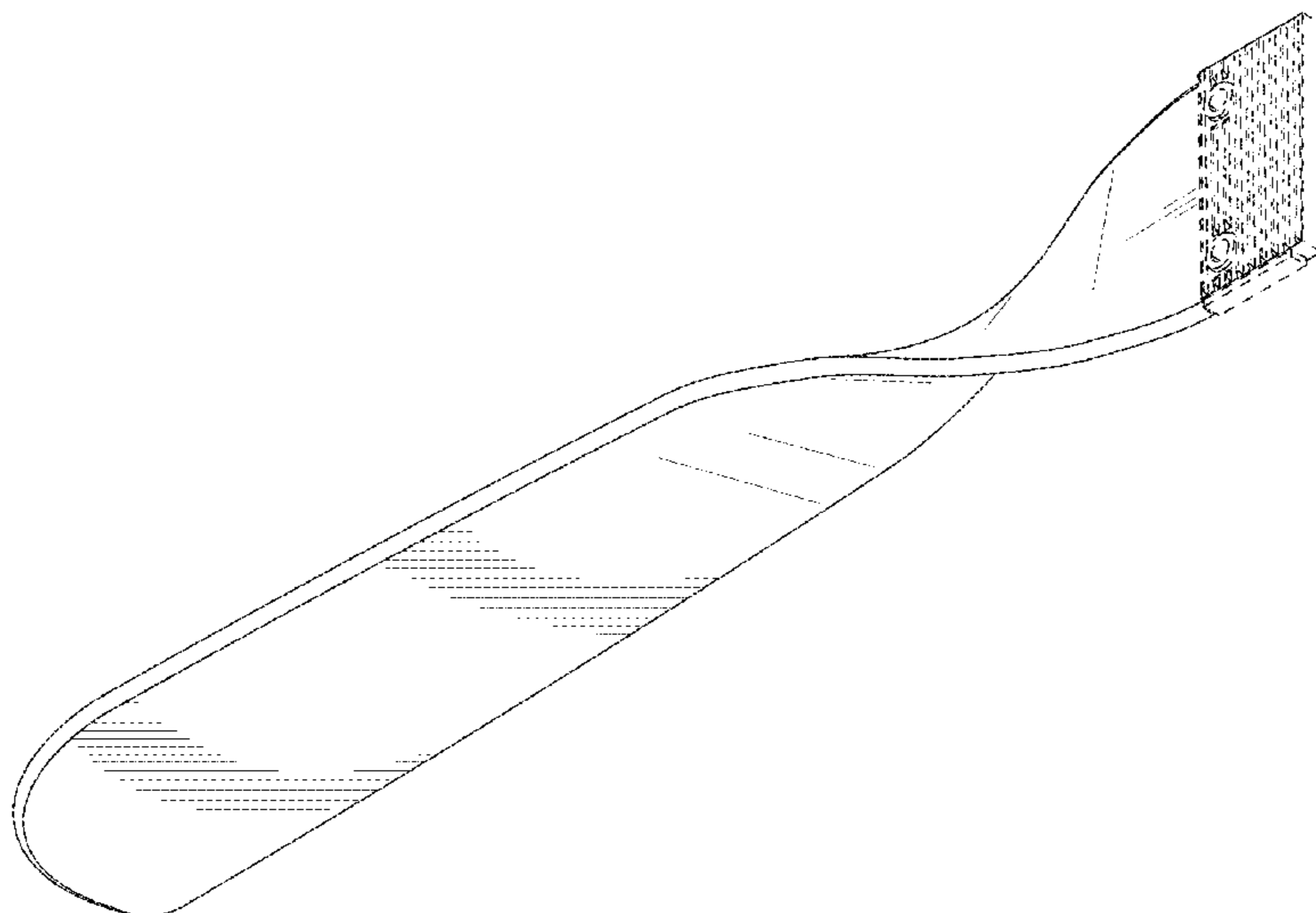
(57) **CLAIM**

The ornamental design for a ceiling fan blade, as shown and described.

DESCRIPTION

FIG. 1 is a bottom perspective view of a ceiling fan blade showing my new design.
FIG. 2 is another bottom perspective view of the ceiling fan blade of FIG. 1;
FIG. 3 is a front view of the ceiling fan blade of FIG. 1;
FIG. 4 is a rear view of the ceiling fan blade of FIG. 1;
FIG. 5 is a right side view of the ceiling fan blade of FIG. 1;
FIG. 6 is a left side view of the ceiling fan blade of FIG. 1;
FIG. 7 is a top view of the ceiling fan blade of FIG. 1; and,
FIG. 8 is a bottom view of the ceiling fan blade of FIG. 1.
The broken lines in FIG. 1 showing a ceiling fan illustrate environmental subject matter. The broken lines in FIGS. 2 through 8 drawings illustrate portions of the ceiling fan blade. All broken lines form no part of the claimed design.

1 Claim, 7 Drawing Sheets



(56)

References Cited

U.S. PATENT DOCUMENTS

D721,800 S * 1/2015 Busta D23/413
D726,297 S 4/2015 Liu
D741,988 S 10/2015 Pan
D742,500 S * 11/2015 Pan D23/413
D744,079 S 11/2015 Wang
D750,213 S * 2/2016 Schulzman D23/385
D755,948 S * 5/2016 Ertze D23/413
D761,949 S 7/2016 Badarello
D776,251 S * 1/2017 Pickett D23/413
D778,422 S 2/2017 Gajewski
D779,648 S 2/2017 Badarello et al.
D783,146 S * 4/2017 Wang D23/413
D798,433 S * 9/2017 Badarello D23/413
2005/0147494 A1 * 7/2005 Hoshino F04D 25/088
416/62
2007/0104583 A1 5/2007 Gajewski
2010/0098545 A1 * 4/2010 Liu F03D 3/062
416/204 R

OTHER PUBLICATIONS

<http://www.minkagroup.net/minka-aire/fans>, Item Specification for The Minka Aire Spectre F726-BN/ORG, accessed Dec. 4, 2015.

* cited by examiner

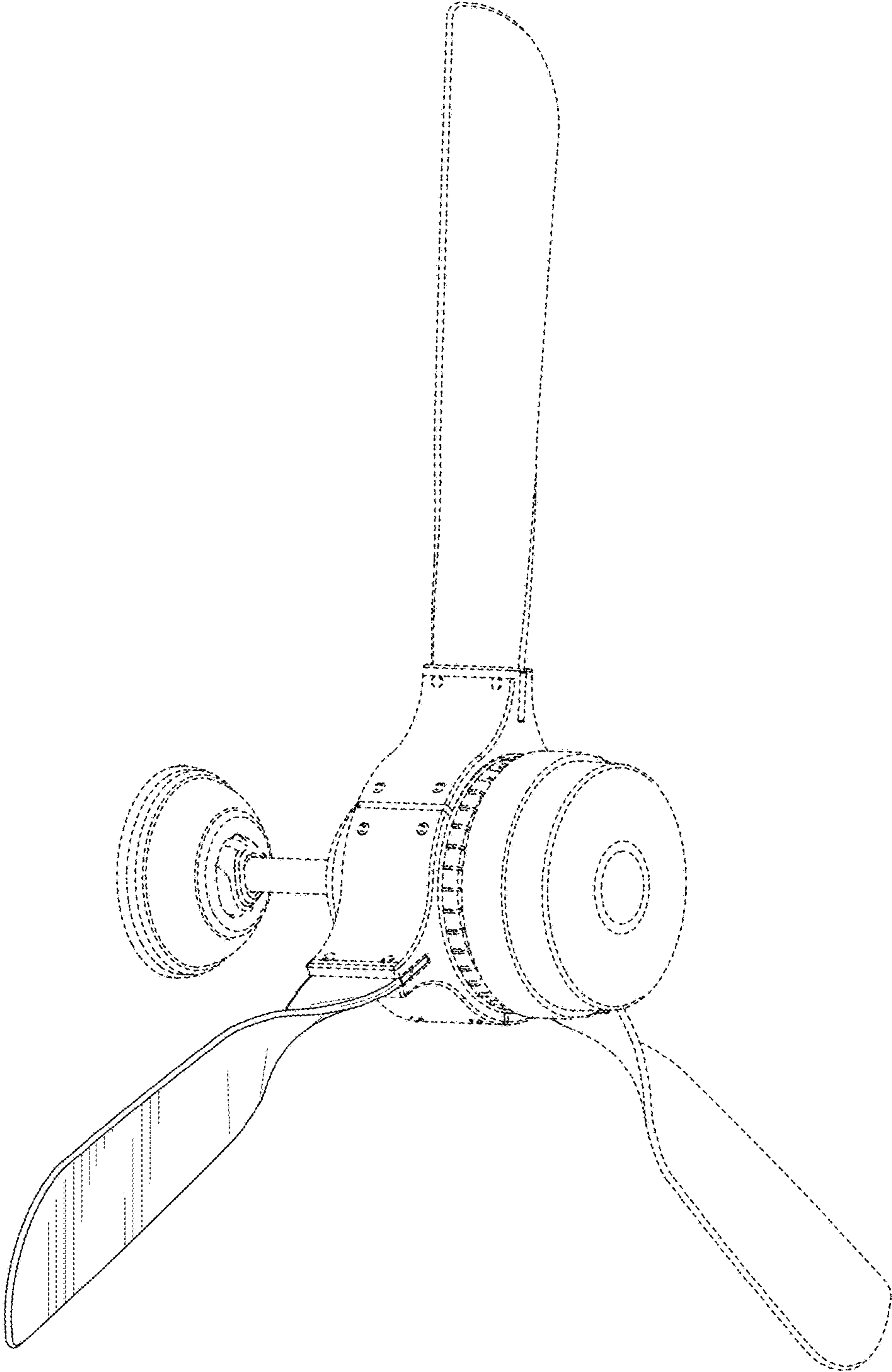


FIG. 1

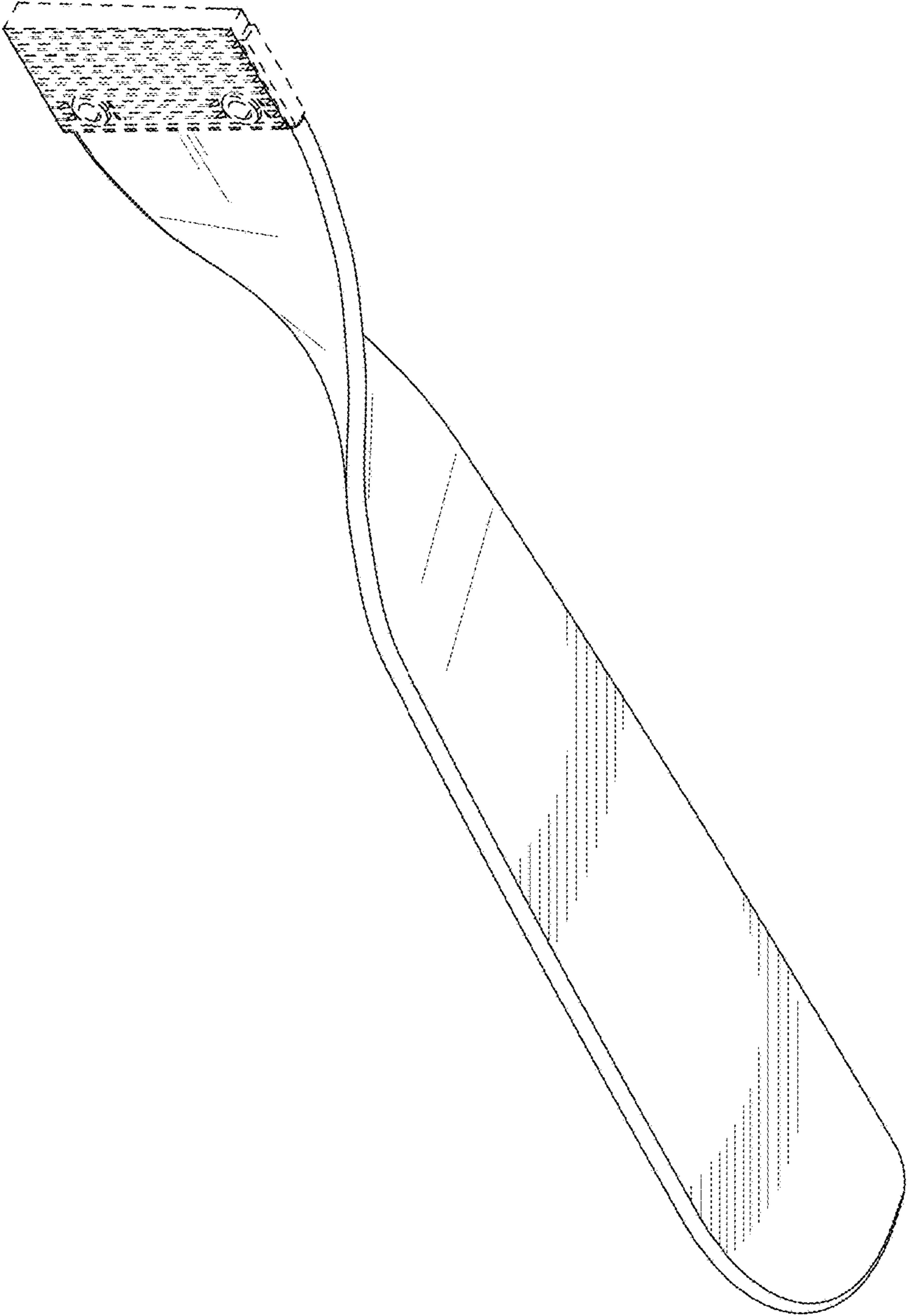


FIG. 2

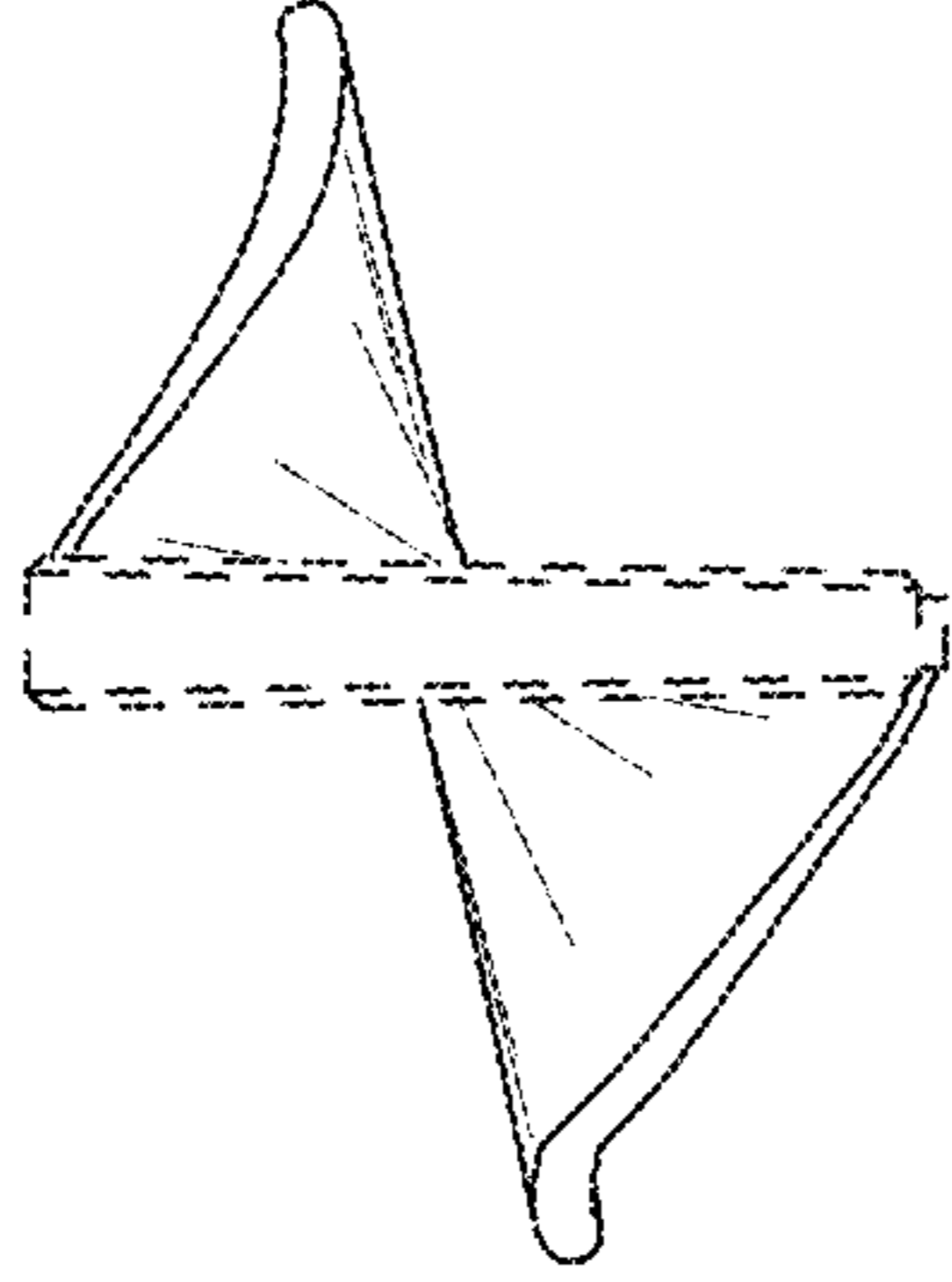


FIG. 4

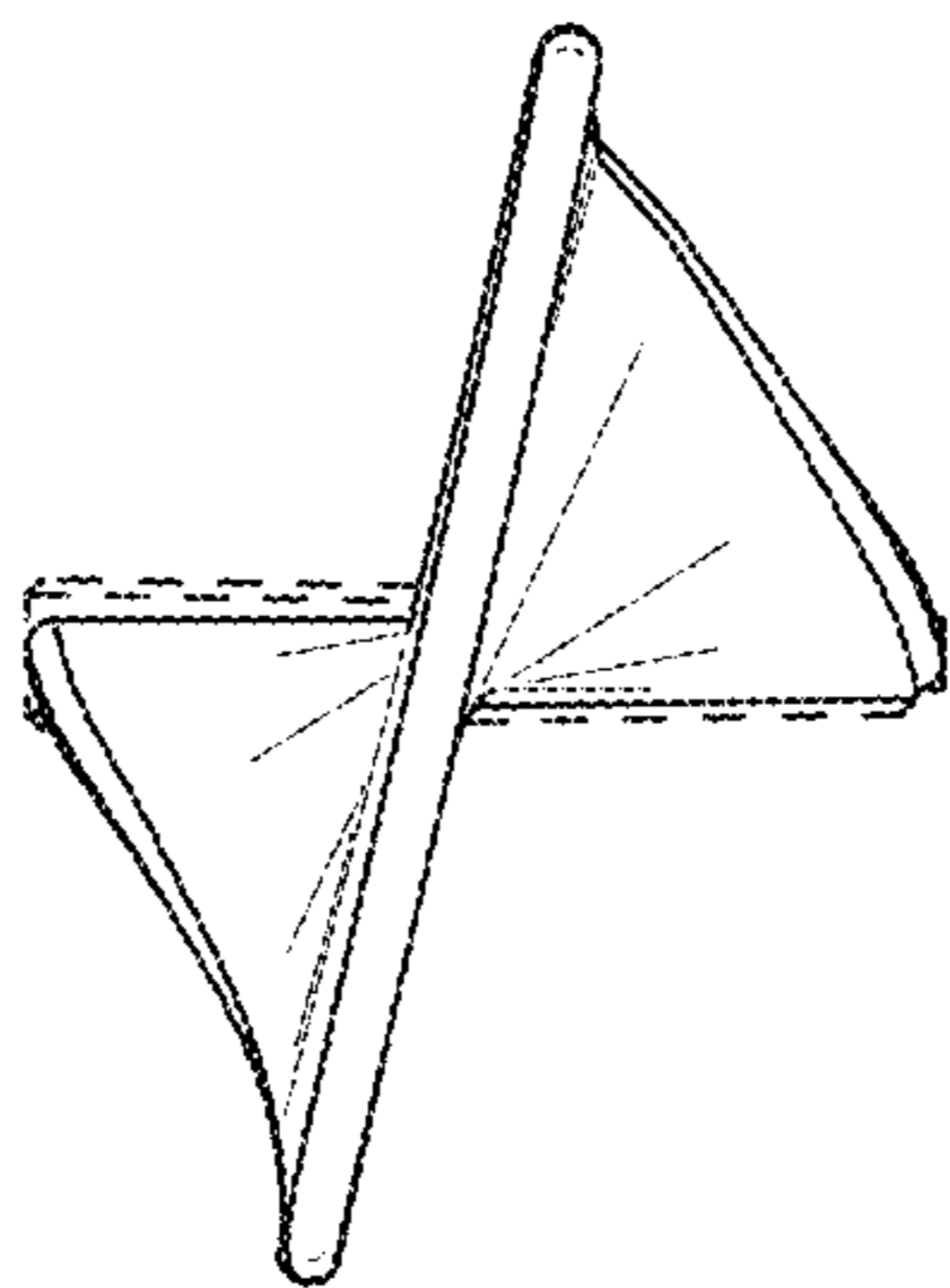


FIG. 3

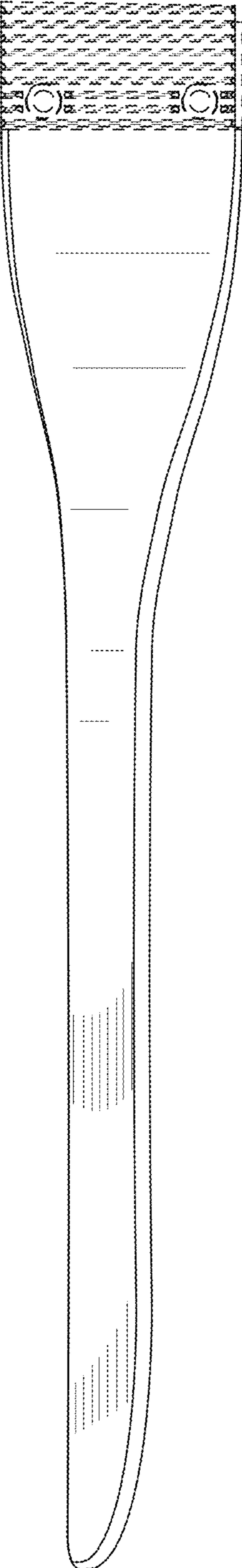


FIG. 5

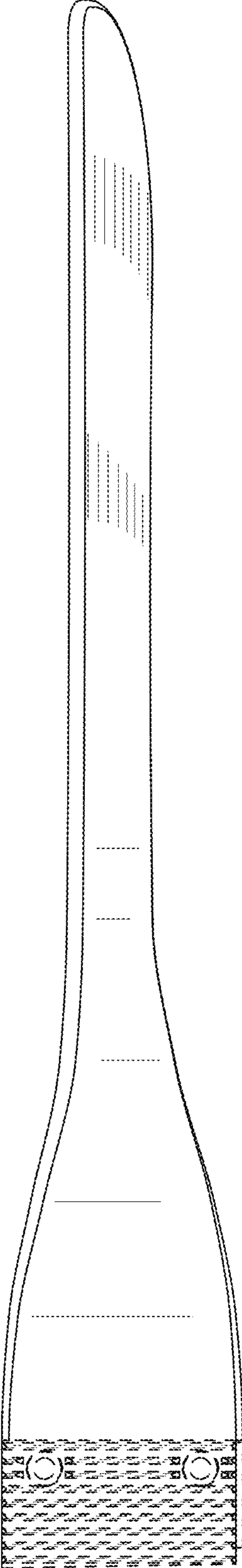


FIG. 6

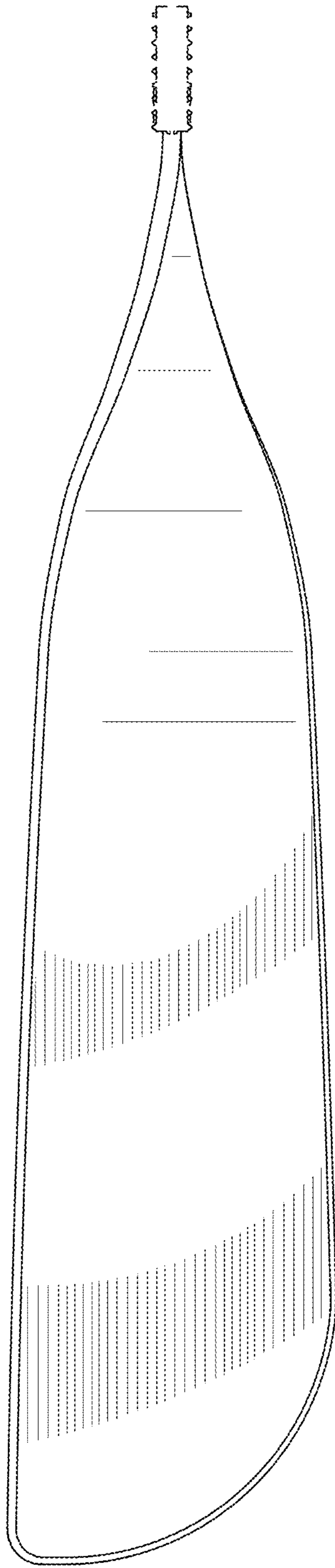


FIG. 7

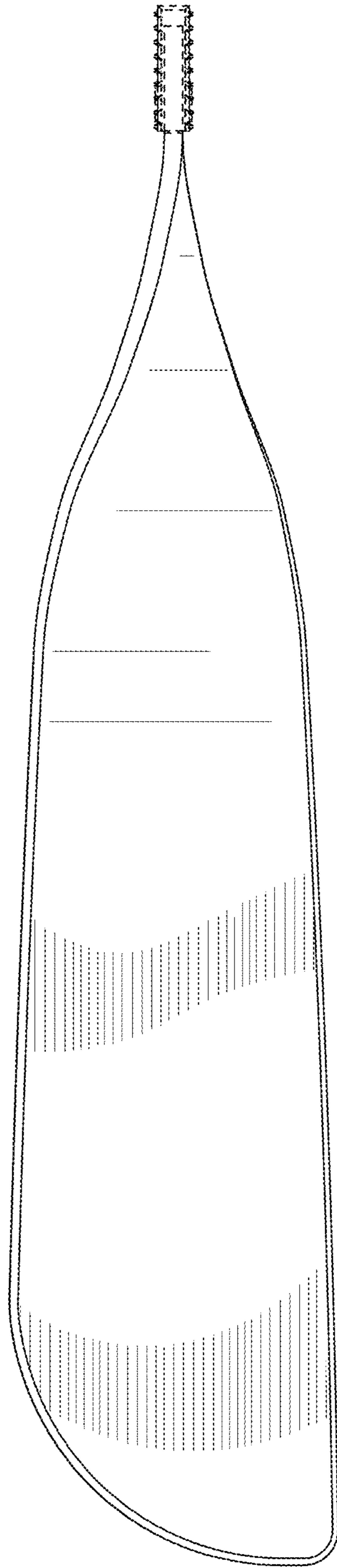


FIG. 8