



US00D810922S

(12) **United States Design Patent**
Jones

(10) **Patent No.:** **US D810,922 S**
(45) **Date of Patent:** **** Feb. 20, 2018**

- (54) **CEILING FAN BLADE IRON**
- (71) Applicant: **HUNTER FAN COMPANY**,
Memphis, TN (US)
- (72) Inventor: **Stephen David Michael Jones**, Sandy
Springs, GA (US)
- (73) Assignee: **Hunter Fan Company**, Memphis, TN
(US)
- (**) Term: **15 Years**
- (21) Appl. No.: **29/611,157**
- (22) Filed: **Jul. 19, 2017**

- D433,114 S 10/2000 Liu
- D445,887 S 7/2001 Campbell
- D448,074 S * 9/2001 Bogazzi D23/411
- D463,020 S 9/2002 Liu
- D486,215 S 2/2004 Hsieh
- D510,999 S * 10/2005 Thomas, Jr. D23/411
- D521,148 S 5/2006 Stauffer
- D547,435 S 7/2007 Lee
- D572,815 S * 7/2008 Hidalgo D23/411

(Continued)

Primary Examiner — Janice Hallmark

(74) *Attorney, Agent, or Firm* — McGarry Bair PC

(57) **CLAIM**

The ornamental design for a ceiling fan blade iron, as shown and described.

DESCRIPTION

FIG. 1 is a bottom perspective view of a ceiling fan blade iron in the environment of a ceiling fan;
 FIG. 2 is another bottom perspective view of the ceiling fan blade iron of FIG. 1;
 FIG. 3 is a front view of the ceiling fan blade iron of FIG. 1;
 FIG. 4 is a rear view of the ceiling fan blade iron of FIG. 1;
 FIG. 5 is a right side view of the ceiling fan blade iron of FIG. 1;
 FIG. 6 is a left side view of the ceiling fan blade iron of FIG. 1;
 FIG. 7 is a top view of the ceiling fan blade iron of FIG. 1; and,
 FIG. 8 is a bottom view of the ceiling fan blade iron of FIG. 1.
 In FIG. 1, the broken line directly adjacent and to the right side of shaded areas depicts portions of the ceiling fan blade iron. All other broken lines in FIG. 1 depict environmental subject matter. In FIGS. 2 through 8, all broken lines depict portions of the ceiling fan blade iron. All broken lines form no part of the claimed design.

Related U.S. Application Data

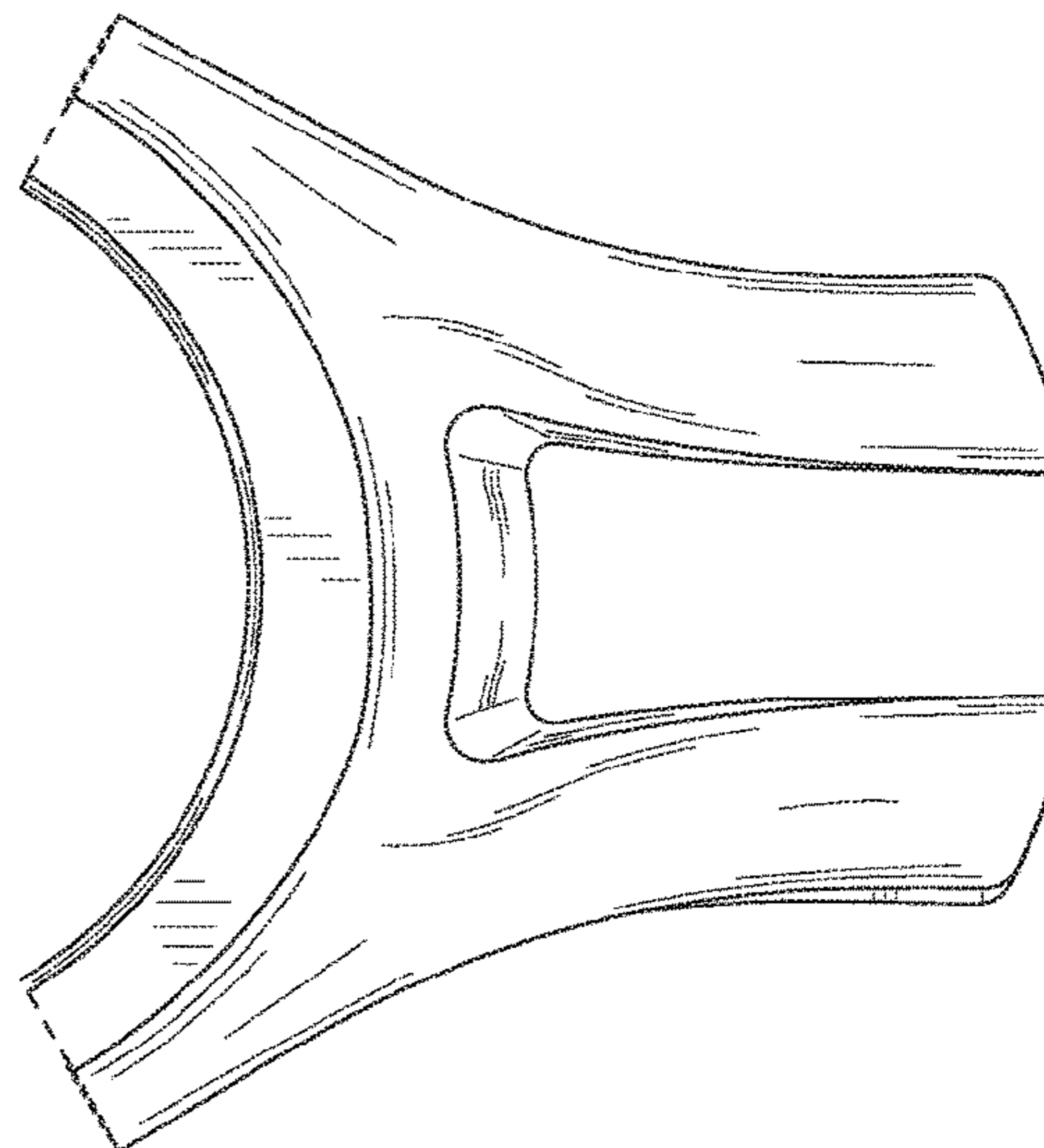
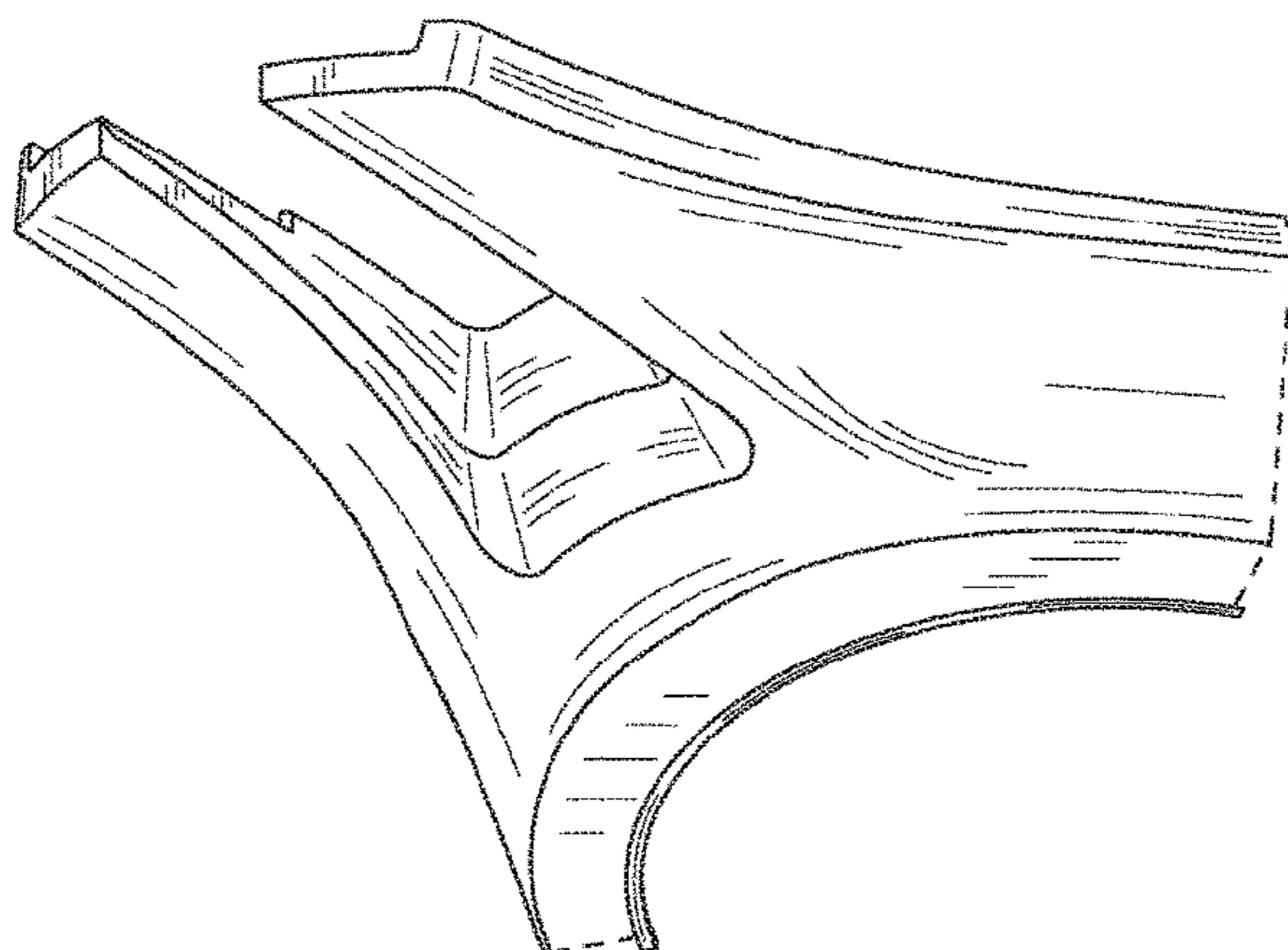
- (62) Division of application No. 29/547,541, filed on Dec. 4, 2015, now Pat. No. Des. 800,288.
- (51) **LOC (11) Cl.** **23-04**
- (52) **U.S. Cl.**
USPC **D23/411**
- (58) **Field of Classification Search**
USPC D23/370, 377, 379, 385, 411, 413;
D26/59
CPC F04D 25/08; F04D 29/388; F04D 29/34;
F04D 25/088
See application file for complete search history.

(56) **References Cited**

U.S. PATENT DOCUMENTS

- D304,229 S 10/1989 Rezek
- D323,028 S 1/1992 Holbrook
- D340,515 S 10/1993 Rezek
- D357,978 S 5/1995 Young
- 5,645,403 A 7/1997 Bogage
- D400,667 S 11/1998 Moody et al.
- D404,480 S * 1/1999 Liu D23/377
- D427,672 S 7/2000 Lee

1 Claim, 4 Drawing Sheets



(56)

References Cited

U.S. PATENT DOCUMENTS

D598,998	S	8/2009	Flores	
D620,099	S *	7/2010	Flores	D23/411
D671,203	S	11/2012	Wang	
D707,336	S	6/2014	Pan	
D707,347	S *	6/2014	Wang	D23/411
D707,348	S *	6/2014	Pan	D23/411
D710,492	S *	8/2014	Byrne	D23/411
D716,438	S	10/2014	Liu	
D741,470	S *	10/2015	Ertze	D23/413
D741,988	S	10/2015	Pan	
D761,949	S	7/2016	Badarello	
2010/0104442	A1 *	4/2010	Haynes	F04D 25/088 416/210 R
2010/0284820	A1 *	11/2010	Wang	F04D 25/088 416/244 R
2011/0116946	A1 *	5/2011	Webb	F04D 25/088 417/410.1

* cited by examiner

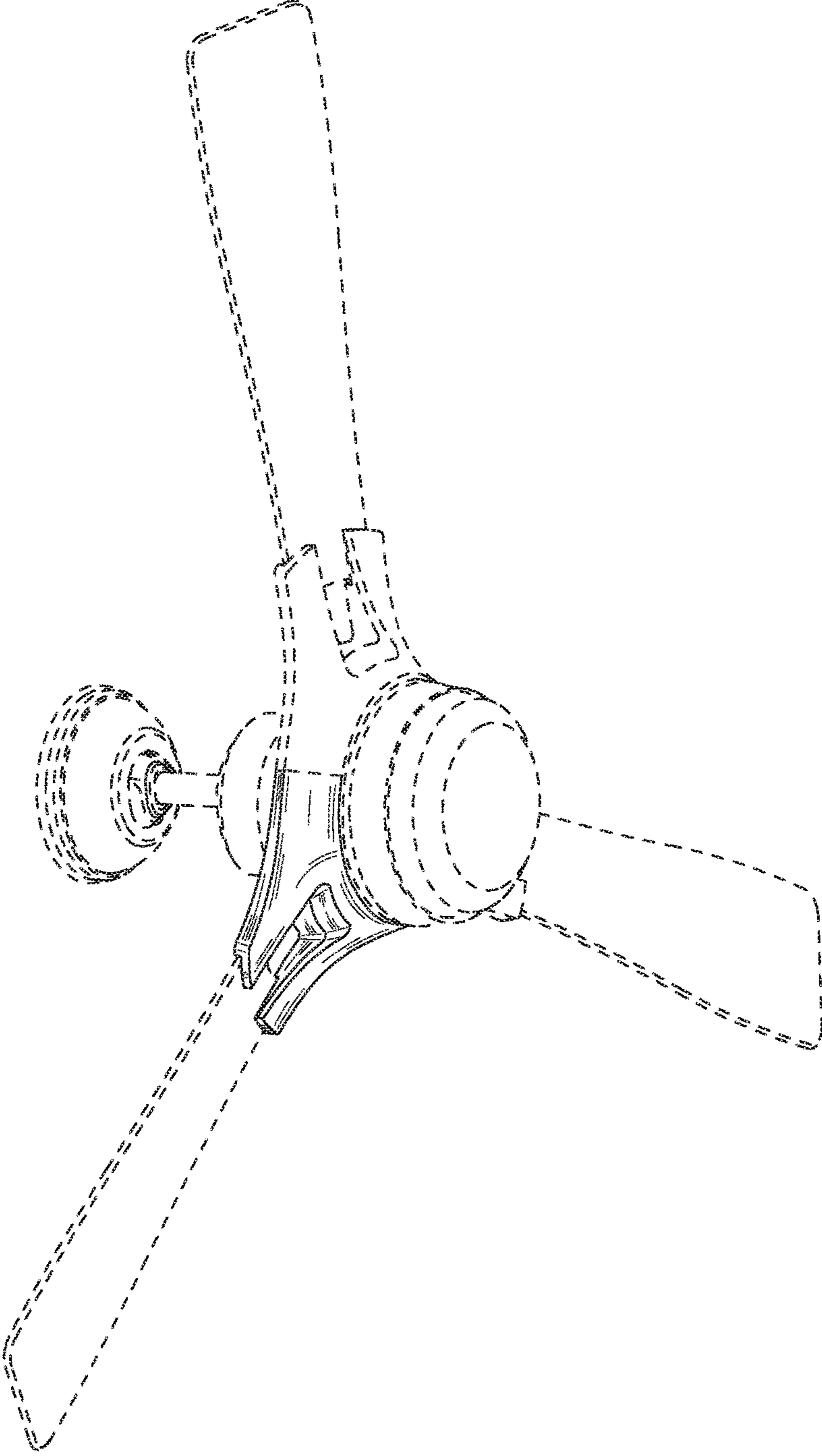


FIG. 1

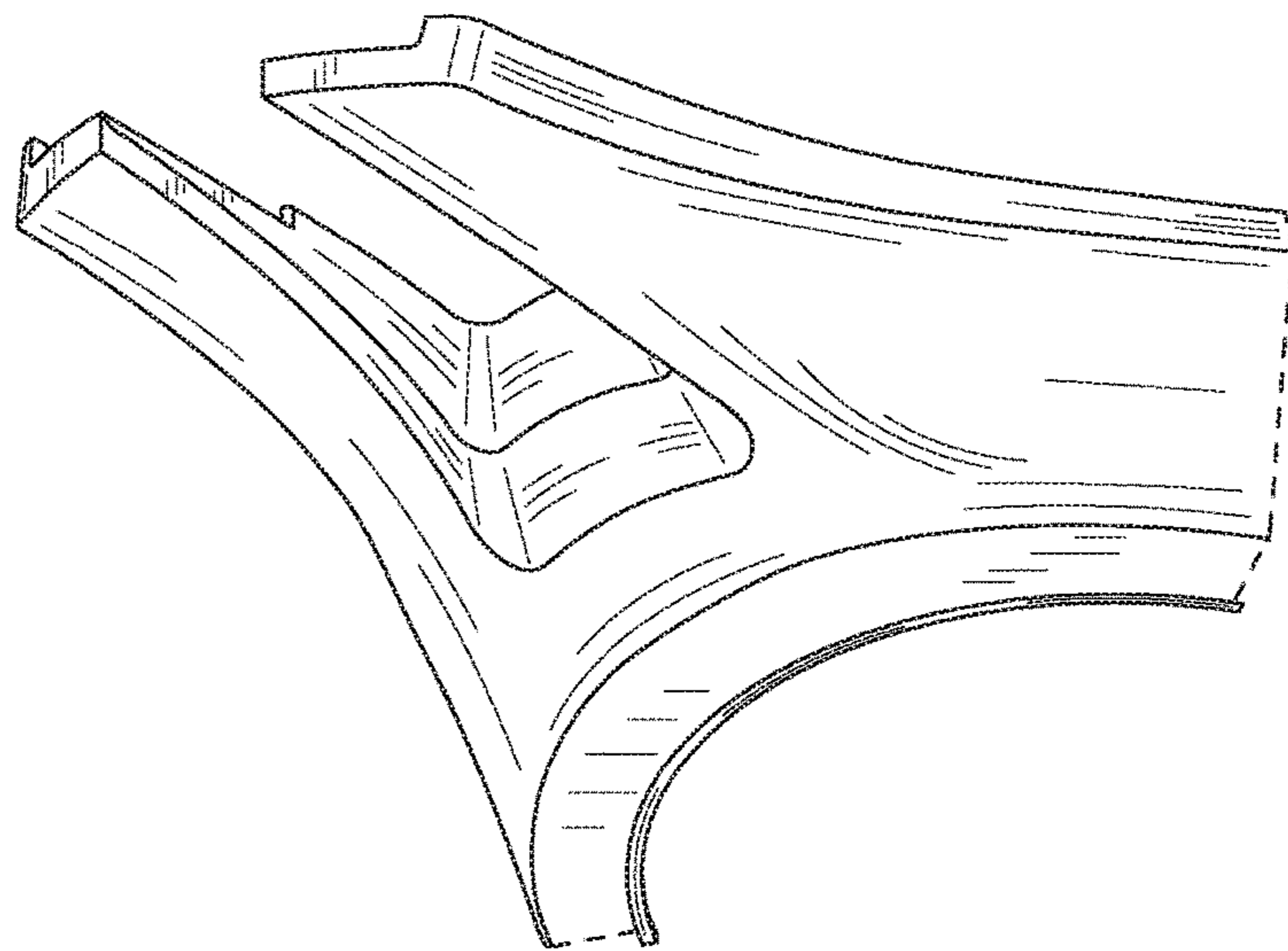


FIG. 2

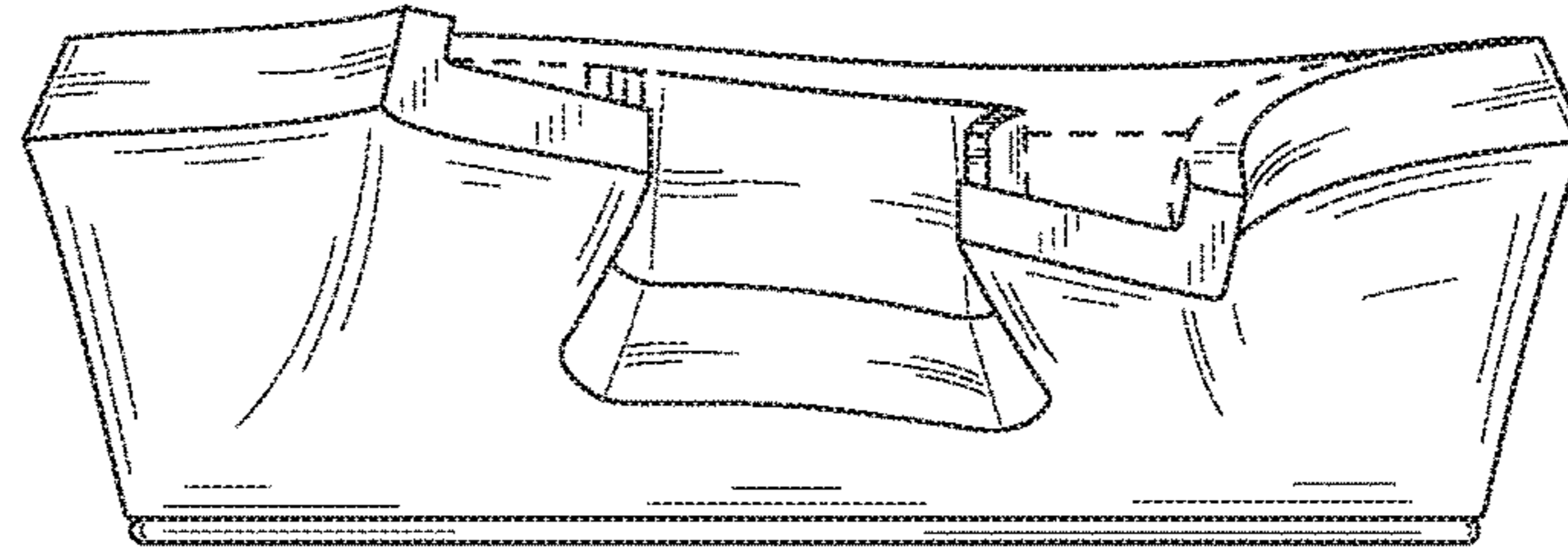


FIG. 3

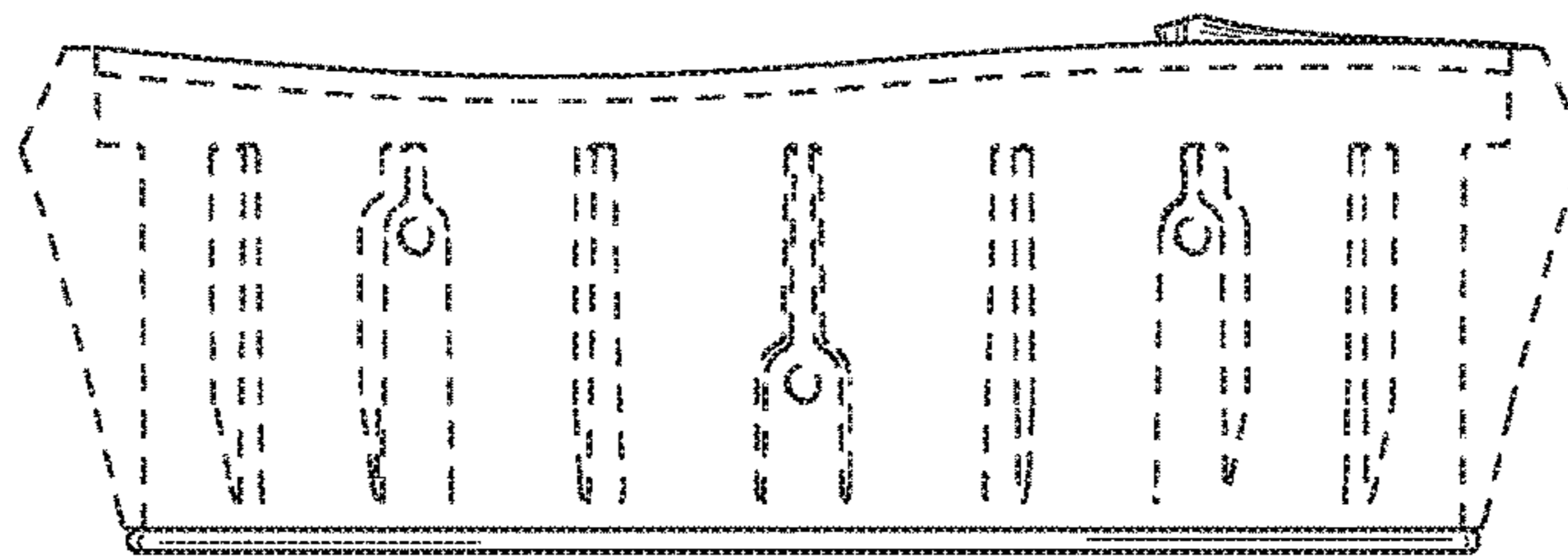


FIG. 4

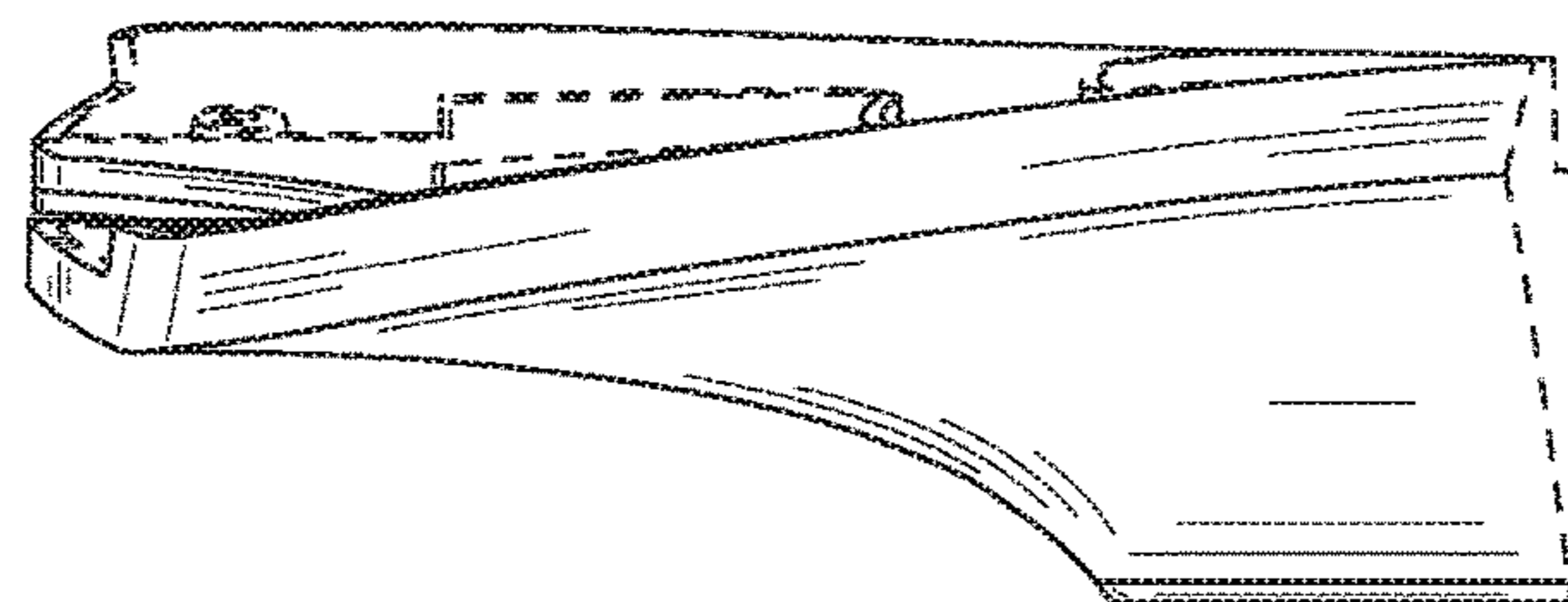


FIG. 5

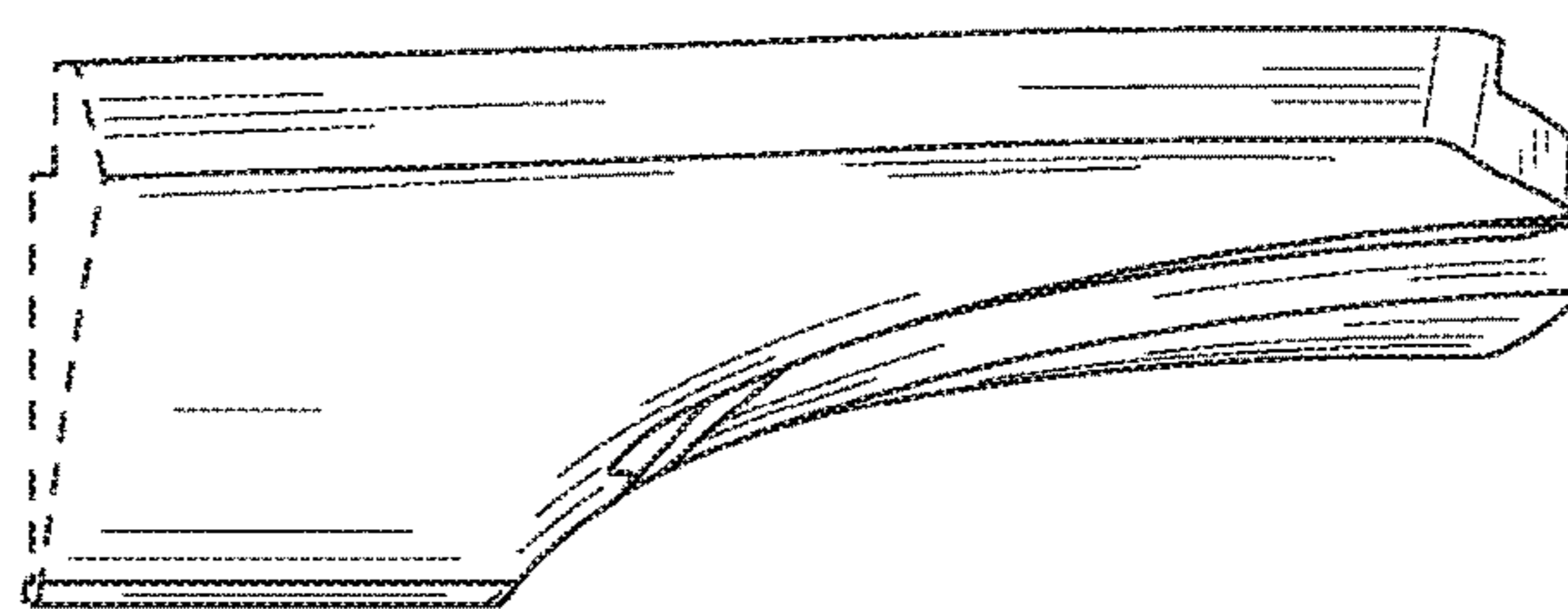


FIG. 6

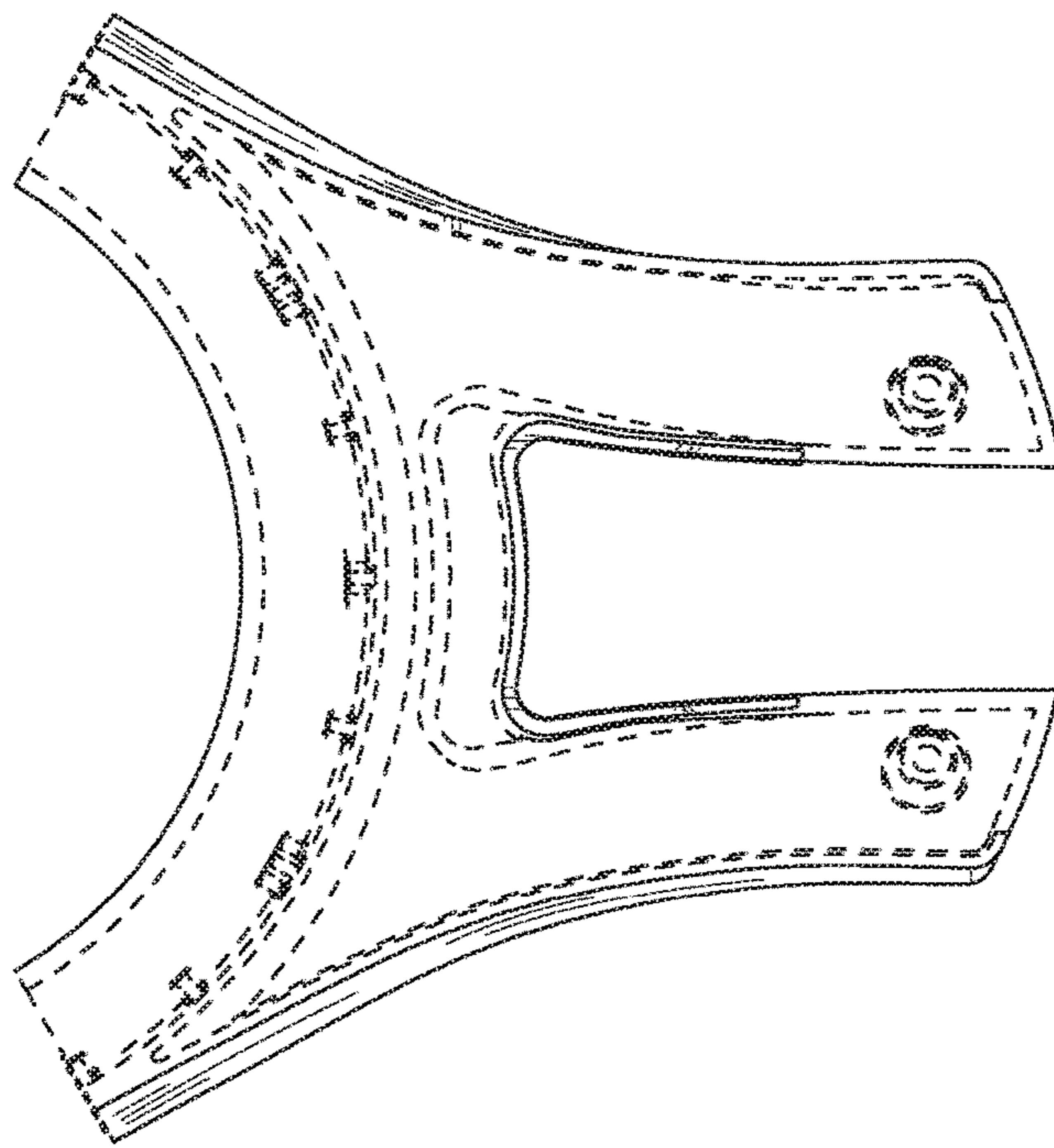


FIG. 7

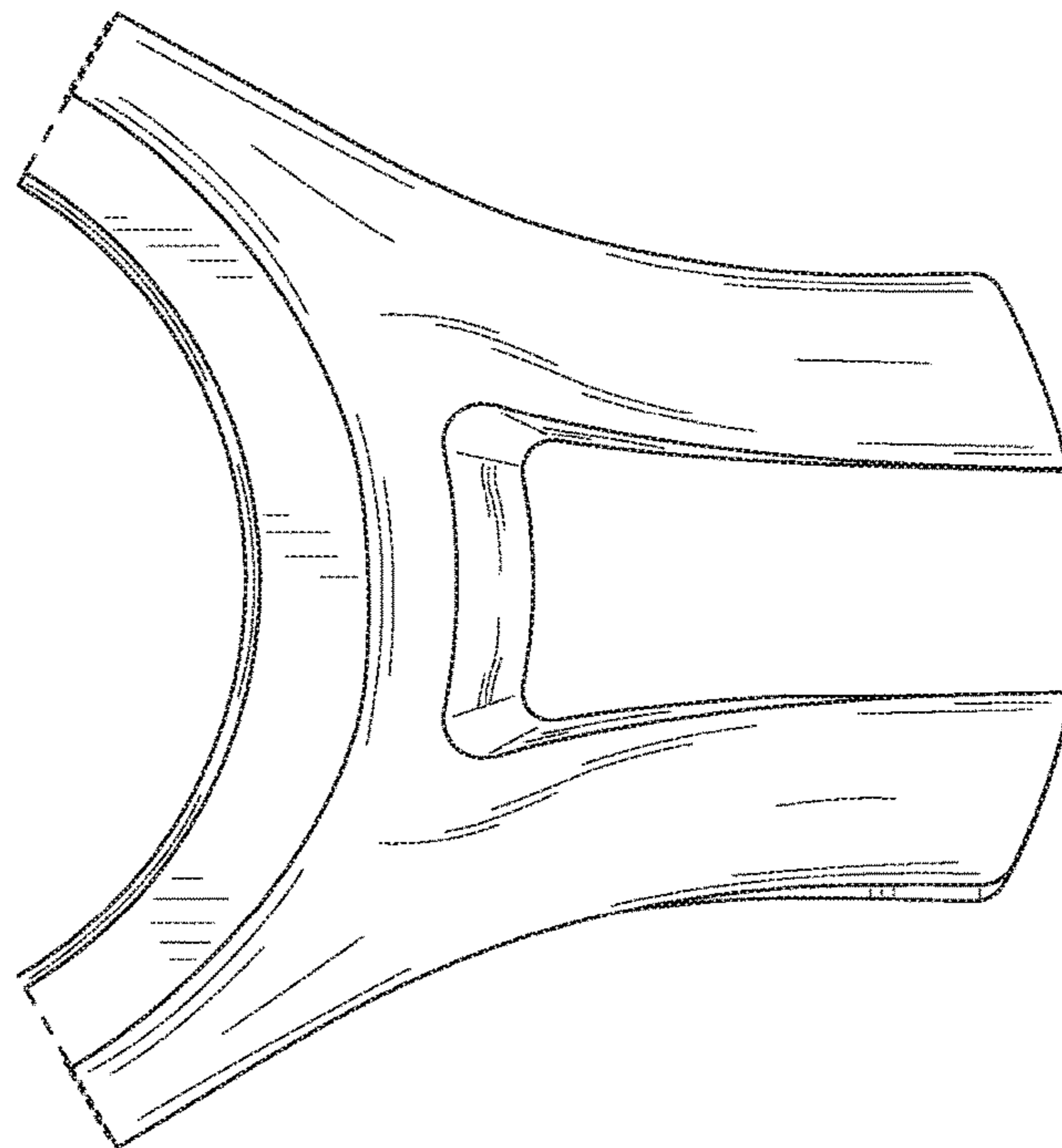


FIG. 8