



US00D810921S

(12) **United States Design Patent** (10) **Patent No.:** **US D810,921 S**
McRoberts (45) **Date of Patent:** **** Feb. 20, 2018**

(54) **CEILING FAN**

- (71) Applicant: **HUNTER FAN COMPANY**,
Memphis, TN (US)
- (72) Inventor: **Claire Bernice McRoberts**, Memphis,
TN (US)
- (73) Assignee: **Hunter Fan Company**, Memphis, TN
(US)
- (**) Term: **15 Years**
- (21) Appl. No.: **29/582,810**
- (22) Filed: **Oct. 31, 2016**
- (51) **LOC (11) Cl.** **23-04**
- (52) **U.S. Cl.**
USPC **D23/377; D23/385**
- (58) **Field of Classification Search**
USPC D23/370, 377, 379, 385, 411; D26/59
CPC F04D 25/088; F21V 33/0096
See application file for complete search history.

(56) **References Cited**

U.S. PATENT DOCUMENTS

D346,209 S	4/1994	Holbrook	
D408,076 S	4/1999	Zuege	
D408,524 S	4/1999	Tsuji	
D408,909 S	4/1999	Zuege	
D424,679 S	* 5/2000	LaSpina D23/377
D426,629 S	* 6/2000	LaSpina D23/377
D483,849 S	* 12/2003	Tai D23/377
D484,967 S	1/2004	Huang	
D488,218 S	4/2004	Burns	
D517,196 S	3/2006	Pickett	
D522,137 S	5/2006	Chen	
D524,473 S	7/2006	Burns	
D530,440 S	10/2006	Wang	
D531,297 S	* 10/2006	Ertze D23/377
D579,097 S	* 10/2008	Hidalgo D23/377
D593,194 S	5/2009	Pan	

(Continued)

OTHER PUBLICATIONS

<http://www.craftmade.com/Ellington-Fans—BFT52AN5C—Antique-Nickel-Ceiling-Fan.HTM>, Item Specification for Ellington Craftmade BFT52AN5C Beaufort Ceiling Fan, accessed on Oct. 27, 2016.

(Continued)

Primary Examiner — Janice Hallmark
(74) *Attorney, Agent, or Firm* — McGarry Bair PC

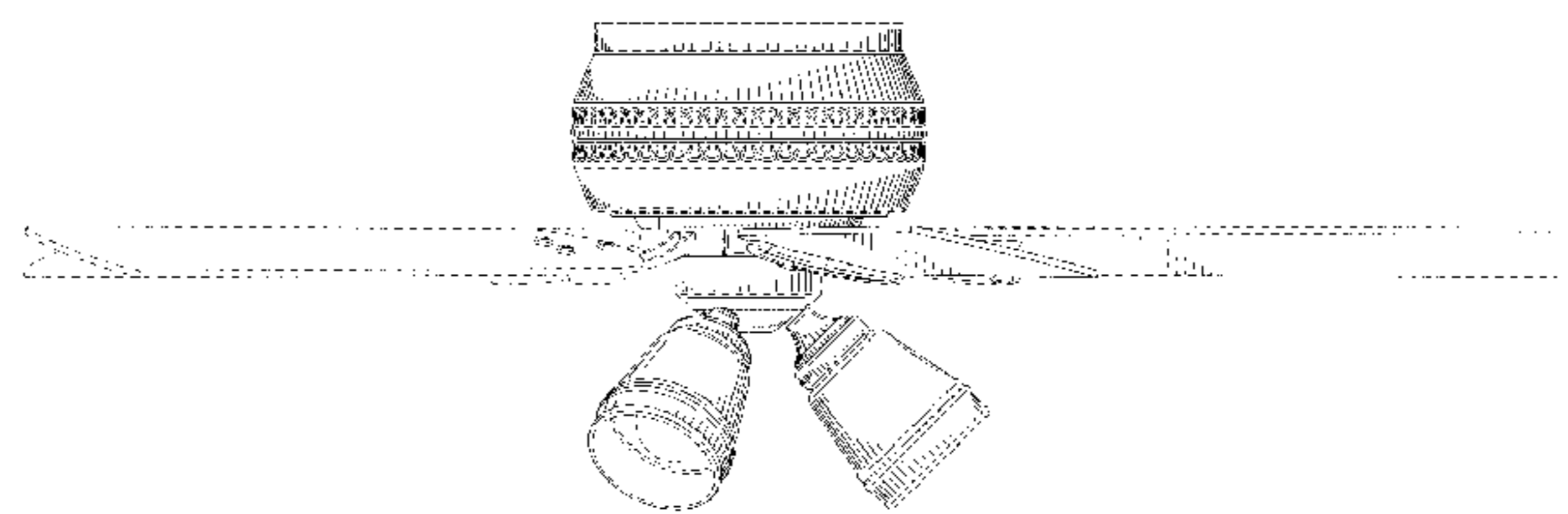
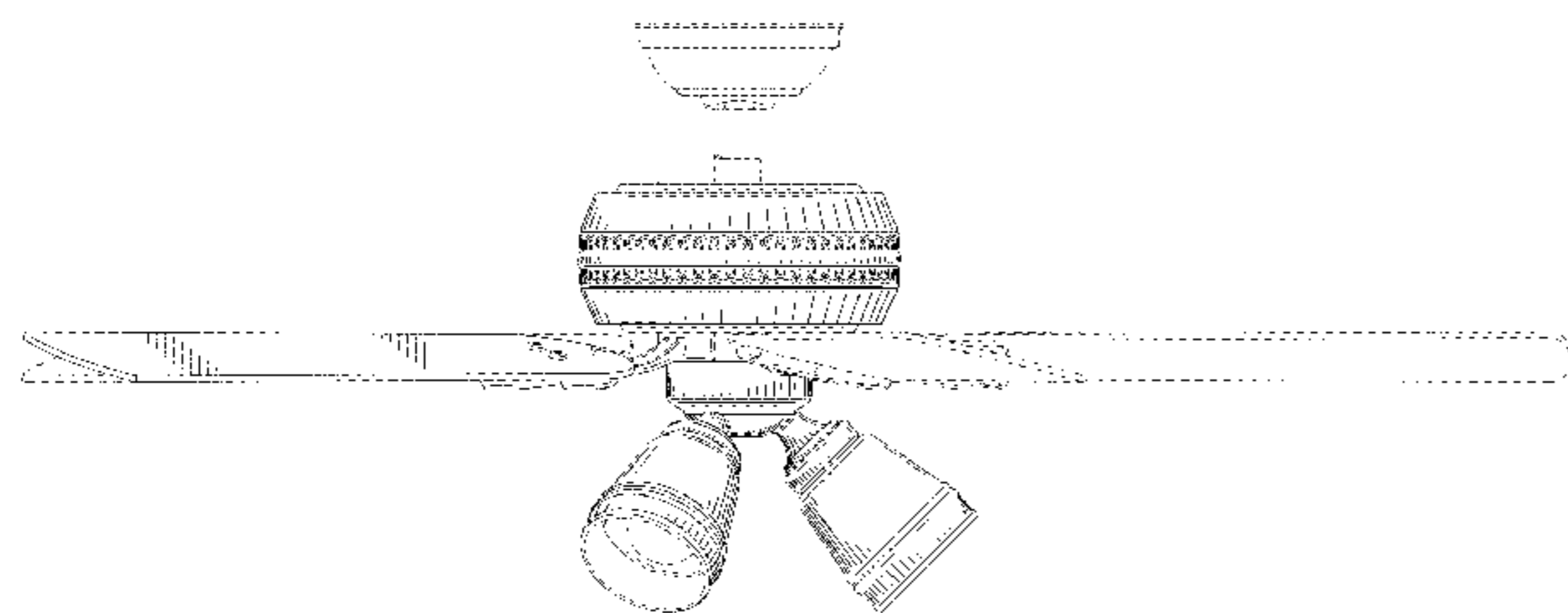
(57) **CLAIM**

The ornamental design for a ceiling fan, as shown and described.

DESCRIPTION

FIG. 1 is a top perspective view of a ceiling fan showing my new design;
 FIG. 2 is a bottom perspective view of the ceiling fan of FIG. 1;
 FIG. 3 is a top view of the ceiling fan of FIG. 1;
 FIG. 4 is a bottom view of the ceiling fan of FIG. 1;
 FIG. 5 is a right side view of the ceiling fan of FIG. 1;
 FIG. 6 is a front side view of the ceiling fan of FIG. 1;
 FIG. 7 is a rear side view of the ceiling fan of FIG. 1;
 FIG. 8 is a left side view of the ceiling fan of FIG. 1;
 FIG. 9 is a top perspective view of a ceiling fan according to a second embodiment;
 FIG. 10 is a bottom perspective view of the ceiling fan of FIG. 9;
 FIG. 11 is a top view of the ceiling fan of FIG. 9;
 FIG. 12 is a bottom view of the of the ceiling fan of FIG. 9;
 FIG. 13 is a right side view of the ceiling fan of FIG. 9;
 FIG. 14 is a left side view of the ceiling fan of FIG. 9;
 FIG. 15 is a front view of the ceiling fan of FIG. 9; and
 FIG. 16 is a rear view of the ceiling fan of FIG. 9.
 Portions of the ceiling fan shown in broken lines form no part of the claimed design.

1 Claim, 16 Drawing Sheets



(56)

References Cited

U.S. PATENT DOCUMENTS

D600,339 S	9/2009	Searle	
D626,207 S	10/2010	Searle	
D626,209 S	10/2010	Searle	
D714,925 S *	10/2014	Pan D23/377
2011/0286204 A1 *	11/2011	Lord F21V 33/0096 362/147

OTHER PUBLICATIONS

<http://www.craftmade.com/Ellington-Fans—CC52WW5C3—White-Ceiling-Fan.HTM>, Item Specification for Ellington Craftmade CC52WW5C3 Celeste Ceiling Fan, accessed on Oct. 27, 2016.

<http://www.craftmade.com/Ellington-Fans—CC42WW4C—White-Ceiling-Fan.HTM>, Item Specification for Ellington Craftmade CC42WW4C Celeste Ceiling Fan, accessed on Oct. 27, 2016.

<http://ceilingfans.emerson.com/shop/en/fan/fans-s-emerson-fans/fans-s-traditional/42-snugger-fan-p-cf804s>, Item Specification for Emerson 42in Snugger Model CF804SBS Ceiling Fan, accessed on Oct. 27, 2016.

<http://www.kichler.com/products/product/52-inch-stratmoor-fan-bss-339022bss.aspx>, Item Specification for Kichler 52in Stratmoor Collection Model 339022BSS Ceiling Fan, accessed on Oct. 27, 2016.

<http://www.homedepot.com/p/Hampton-Bay-Littleton-42-in-White-Ceiling-Fan-UB42S-WH-SH/202046539>, Item Specification

for Hampton Bay Littleton 42in White Ceiling Fan Model UB42S-WH-SH, accessed on Oct. 27, 2016.

<http://www.homedepot.com/pf/Hampton-Bay-Whitlock-44-in-Mediterranean-Bronze-Ceiling-Fan-52644/203688320>, Item Specification for Hampton Bay Whitlock 44in Mediterranean Bronze Ceiling Fan Model 52644, accessed on Oct. 27, 2016.

<https://www.lowes.com/pd/Harbor-Breeze-Cheshire-II-52-in-Brushed-Nickel-Flush-Mount-Indoor-Residential-Ceiling-Fan-with-Light-Kit/3532652>, Item Specification for Harbor Breeze Cheshire II 52in Brushed Nickel Flush Mount Indoor Ceiling Fan Model CSD52BNK5C4S, accessed on Oct. 27, 2016.

<http://www.hunterfan.com/Ceiling-Fans/Macallan?ModelNumber=59543>, Item Specification for Hunter Fan Macallan 52in Ceiling Fan Model 59543, accessed on Oct. 27, 2016.

<https://www.lowes.com/pd/Harbor-Breeze-Mayfield-44-in-Bronze-Flush-Mount-Indoor-Ceiling-Fan-with-Light-Kit/50448978>, Item Specification for Harbor Breeze Mayfield 44in Bronze Flush Mount Indoor Ceiling Fan Model BTH44OSB5C, accessed on Oct. 27, 2016.

<http://www.hunterfan.com/Ceiling-Fans/Newsome?ModelNumber=51082>, Item Specification for Hunter Fan Newsome Low Profile 42in Ceiling Fan Model 51082, accessed on Oct. 27, 2016.

<http://www.casablancafanco.com/Ceiling-Fans/Ainsworth-Gallery-3-Light?ModelNumber=54006>, Item Specification for Casablanca Ainsworth Gallery 54in Ceiling Fan Model 54006, accessed on Oct. 27, 2016.

* cited by examiner

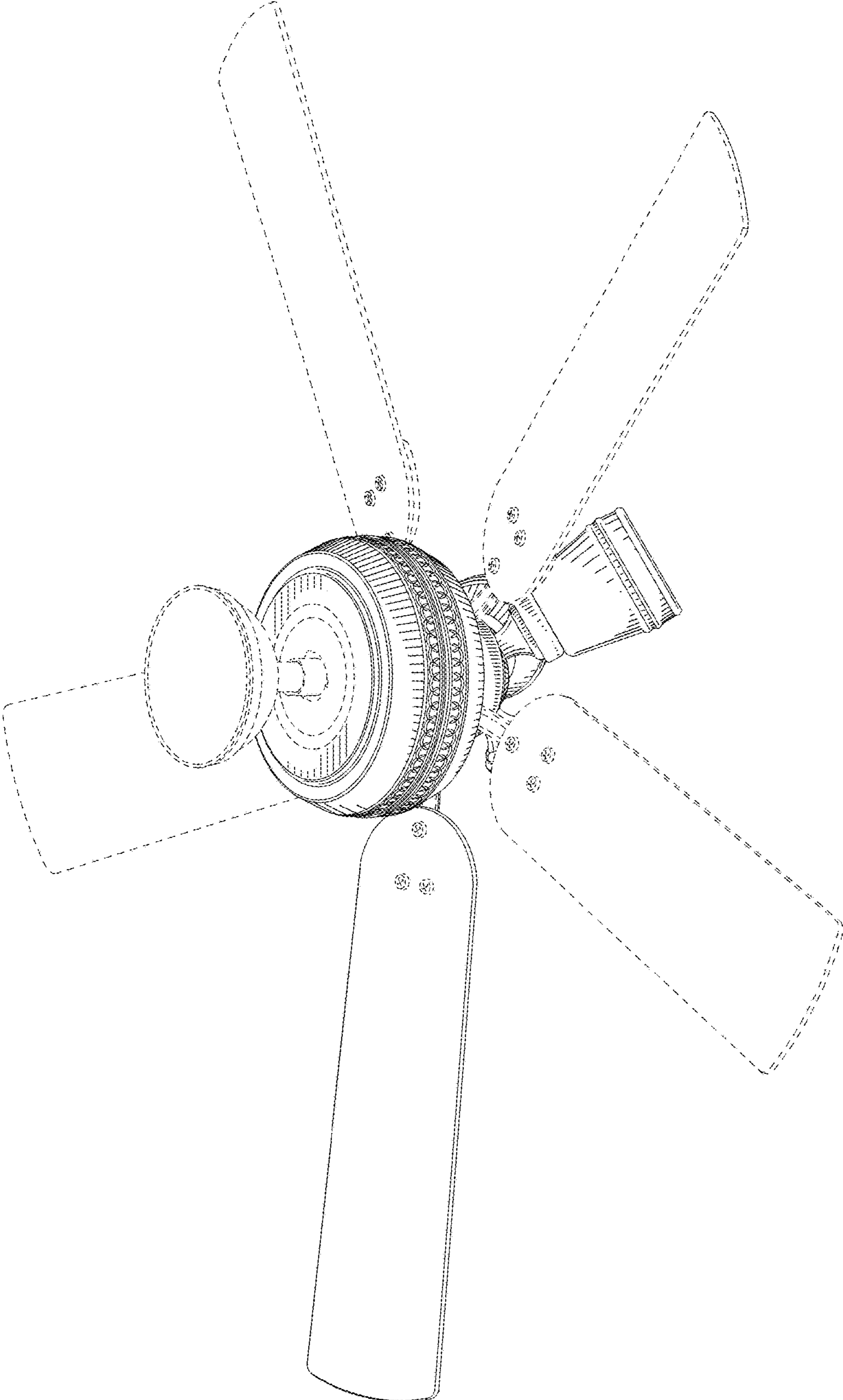


FIG.1

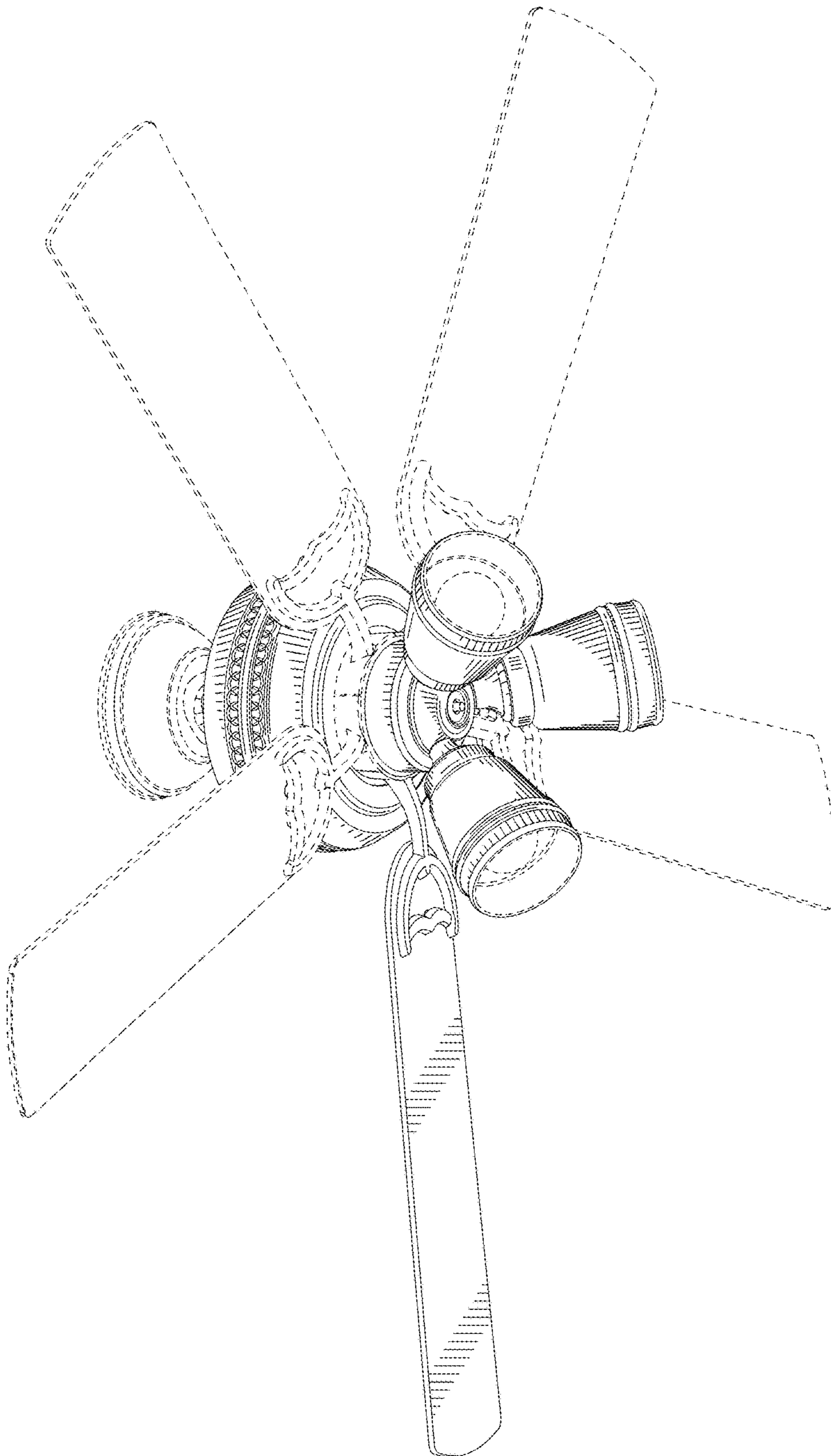


FIG.2

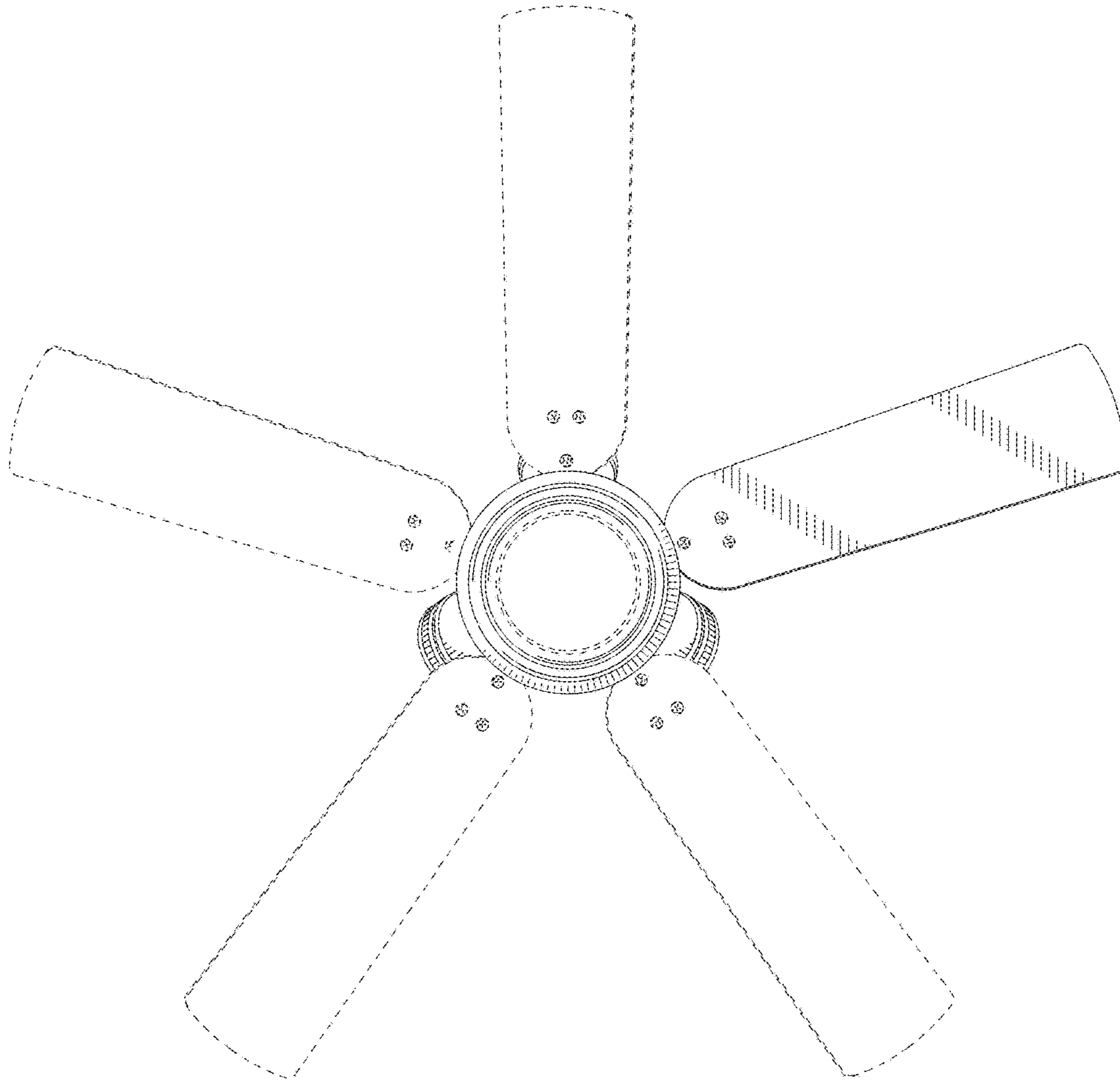


FIG.3

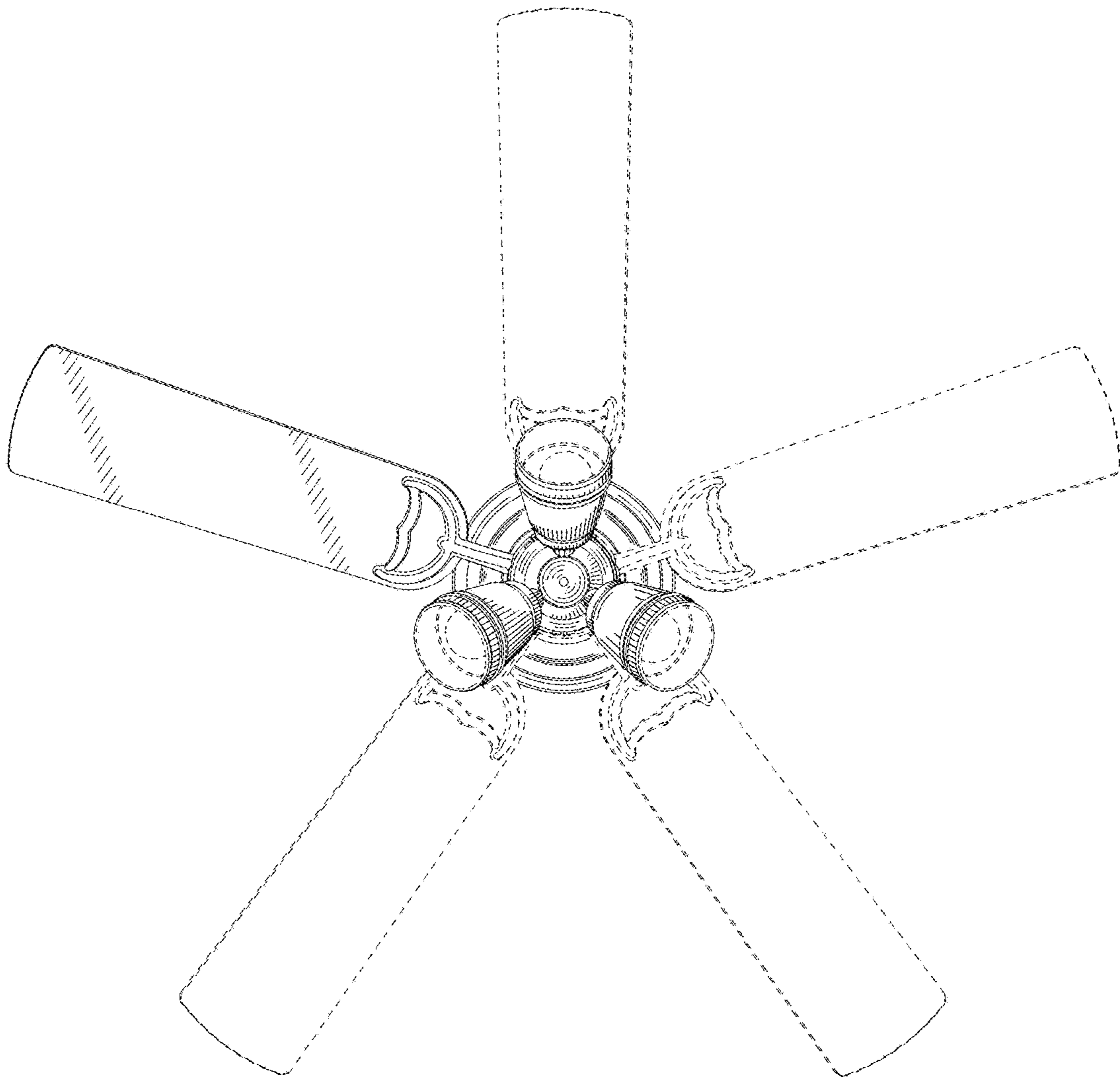


FIG.4

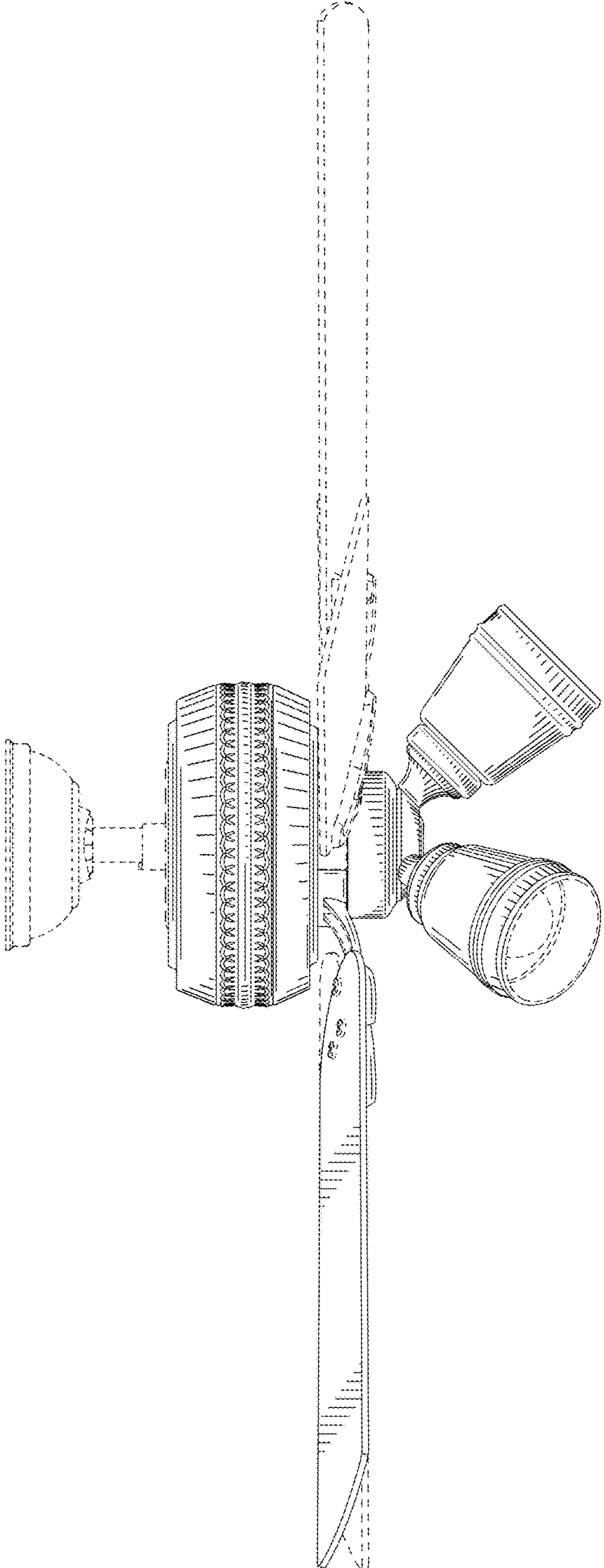


FIG.5

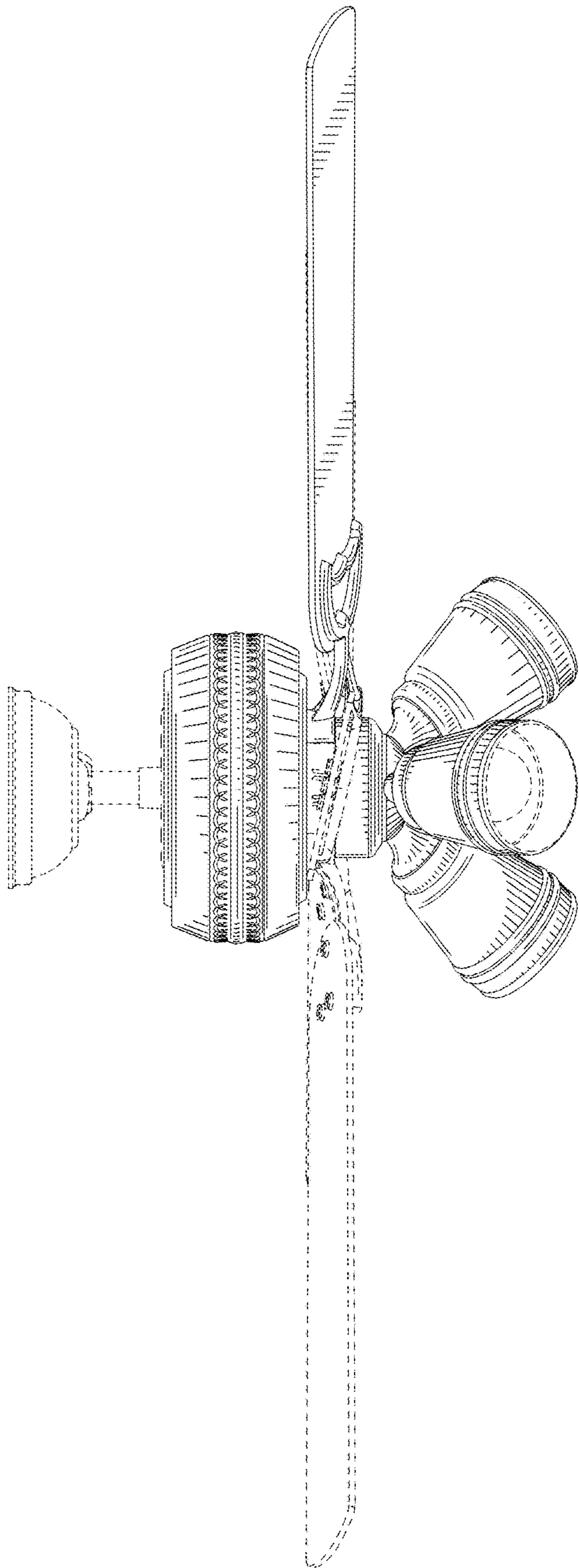


FIG.6

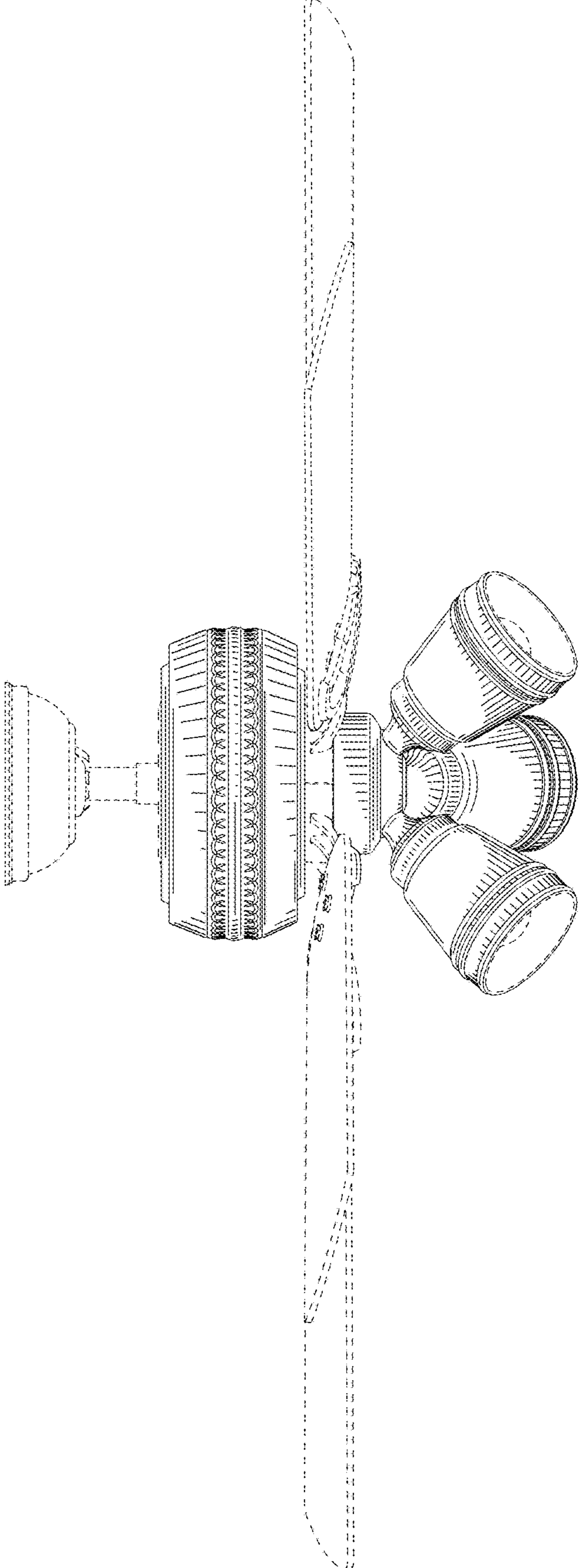


FIG. 7

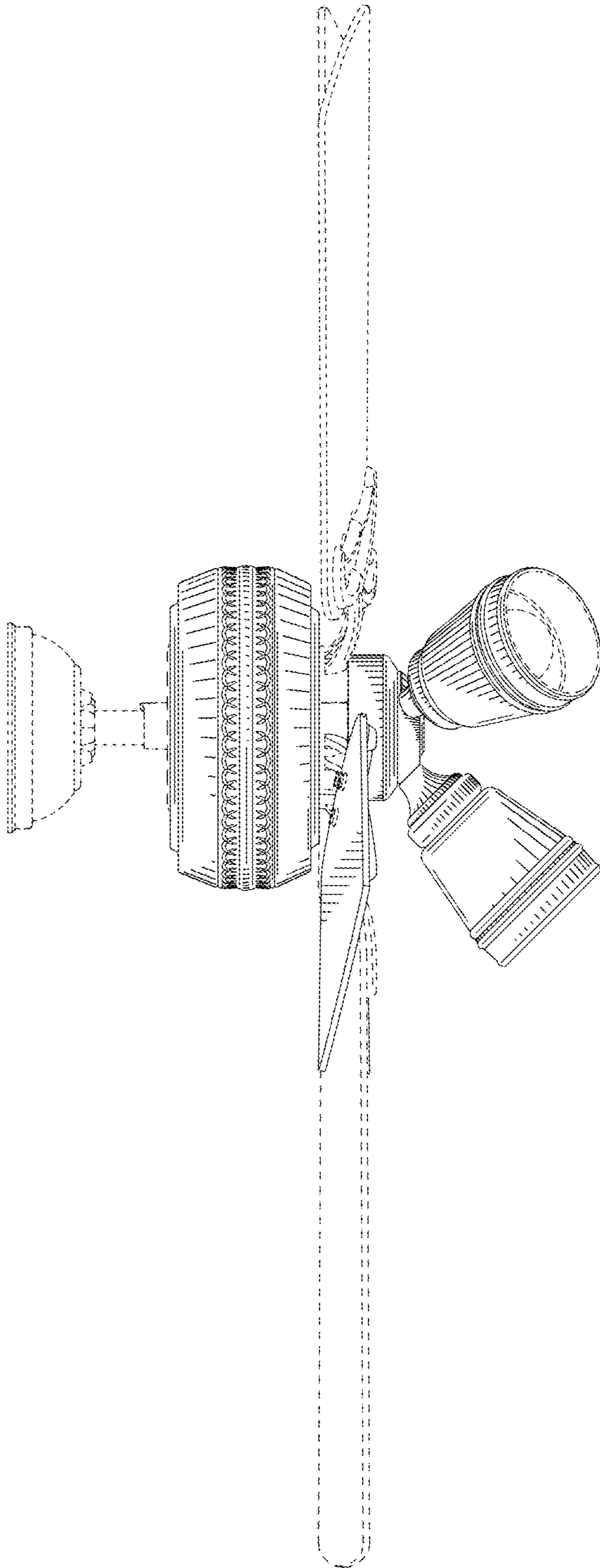


FIG. 8

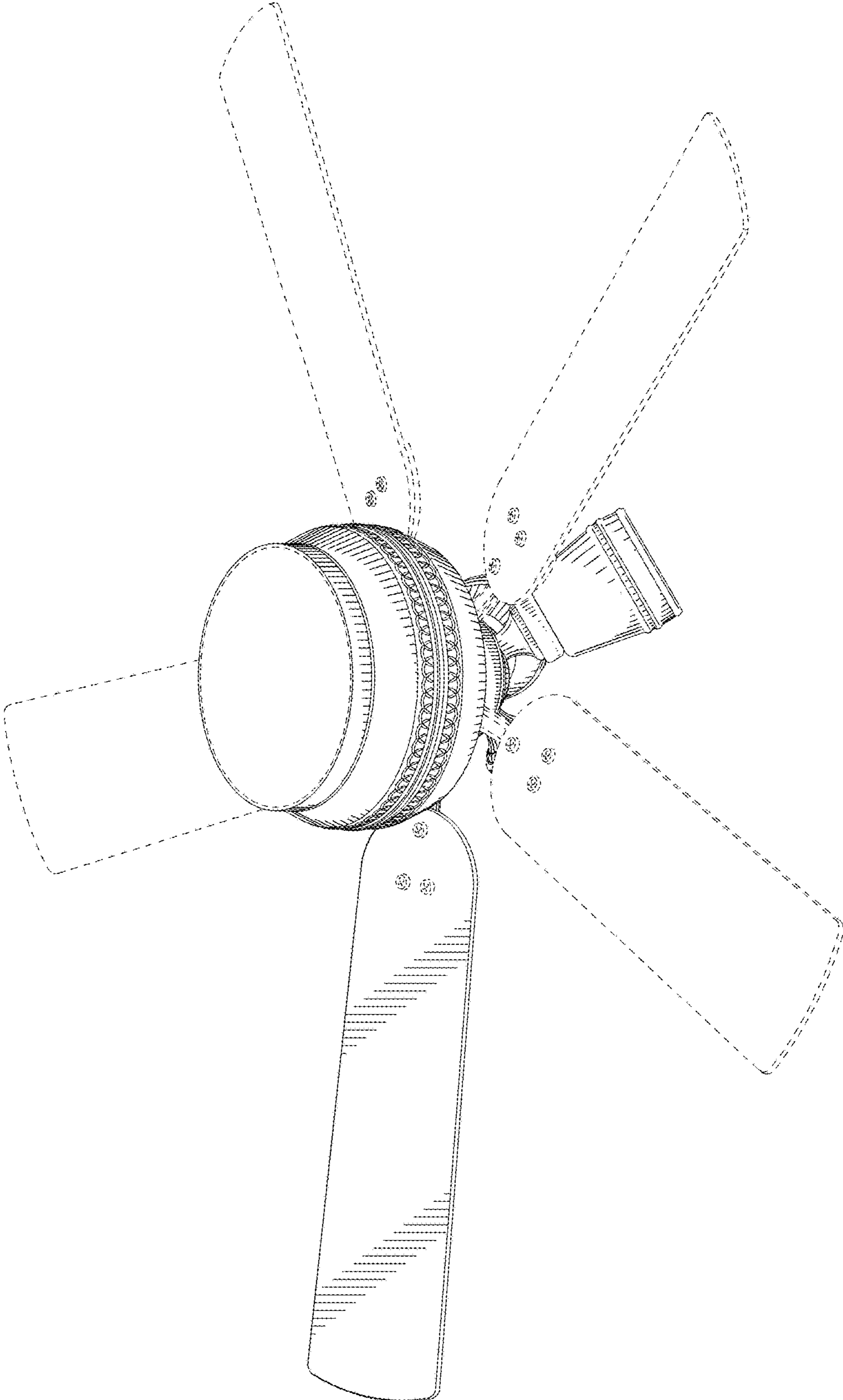


FIG.9

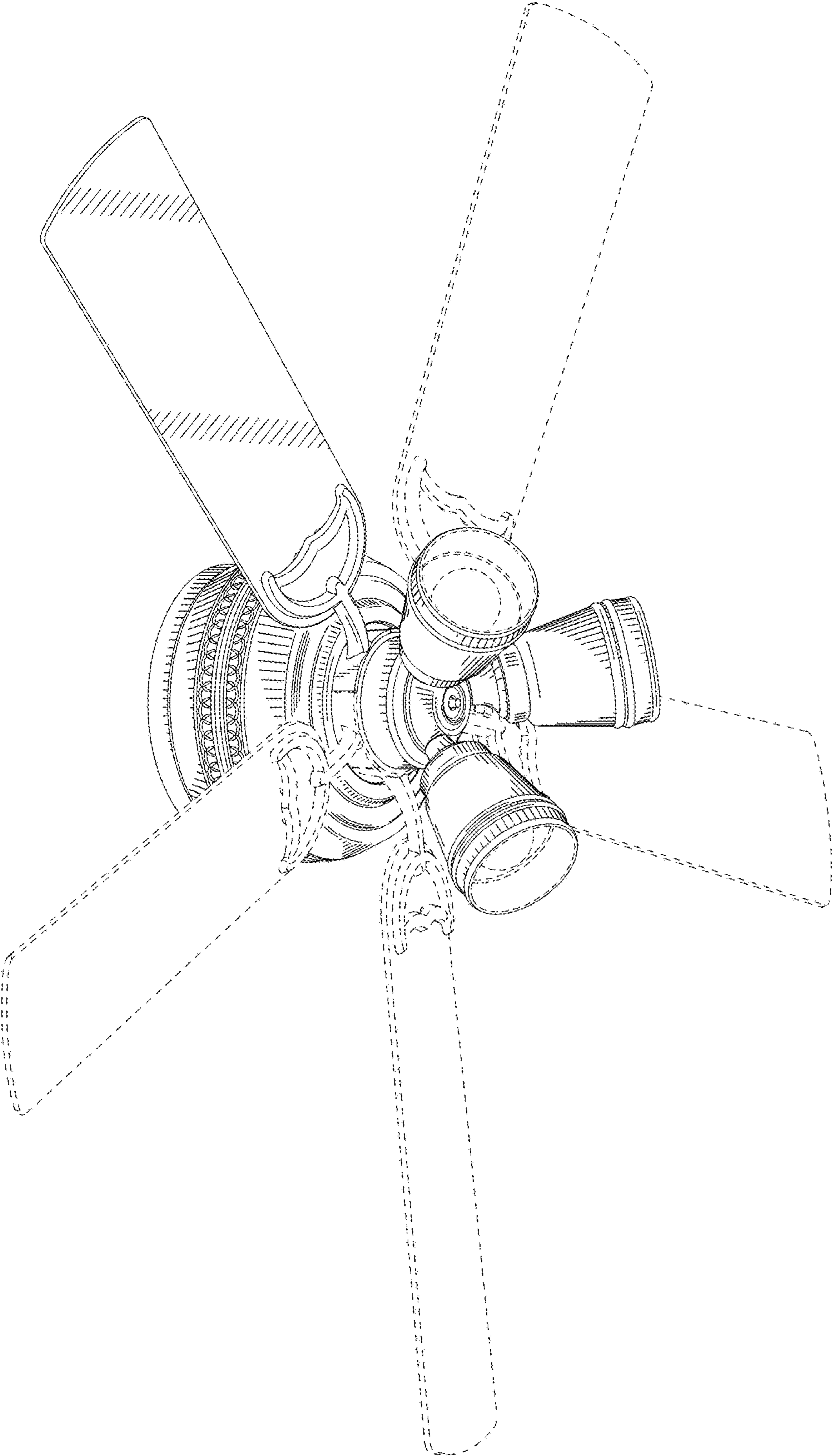


FIG.10

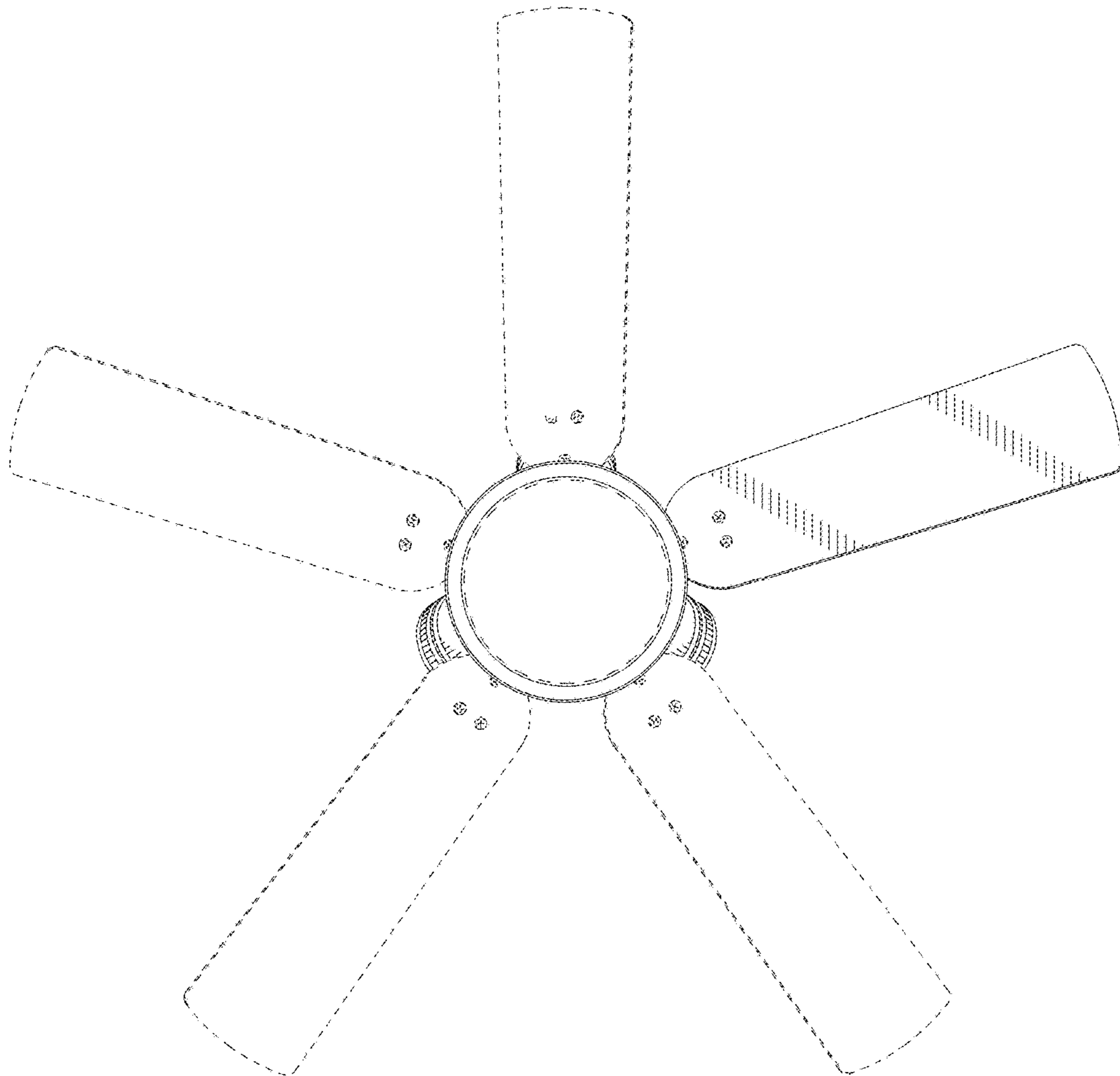


FIG.11

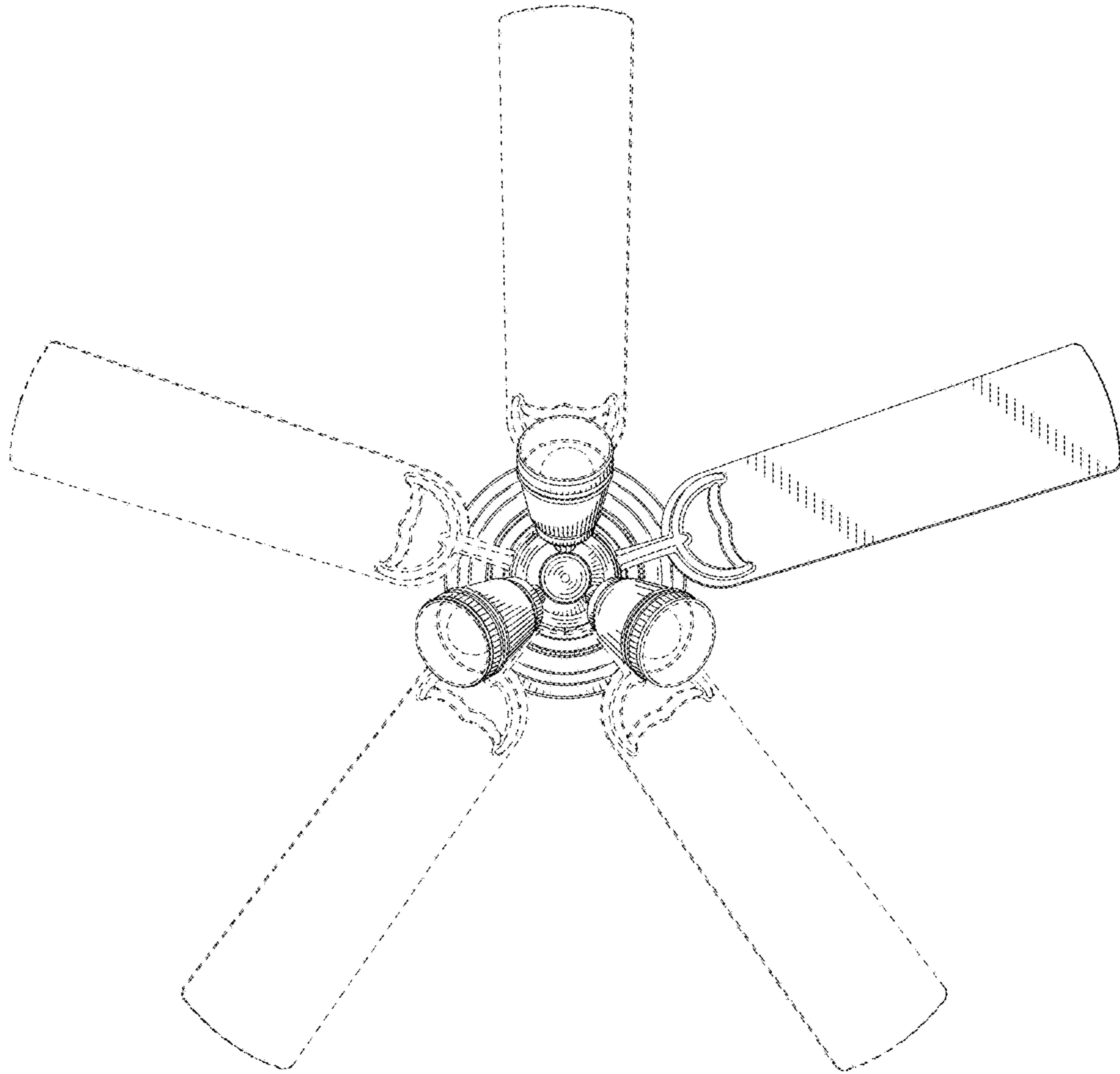


FIG.12

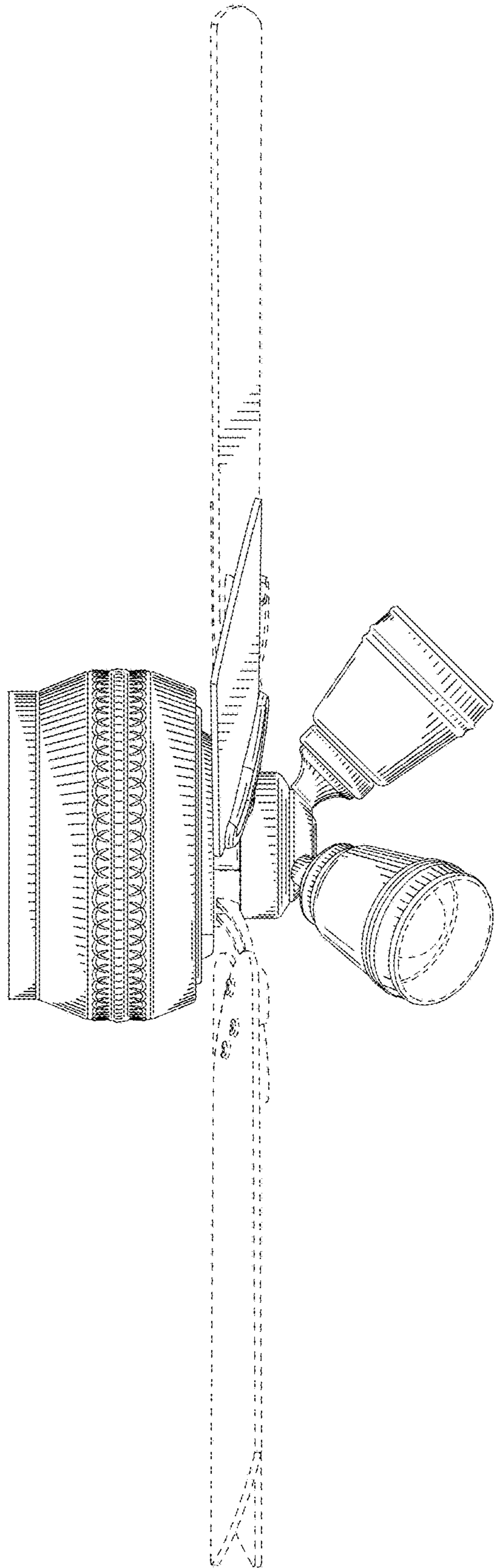


FIG.13

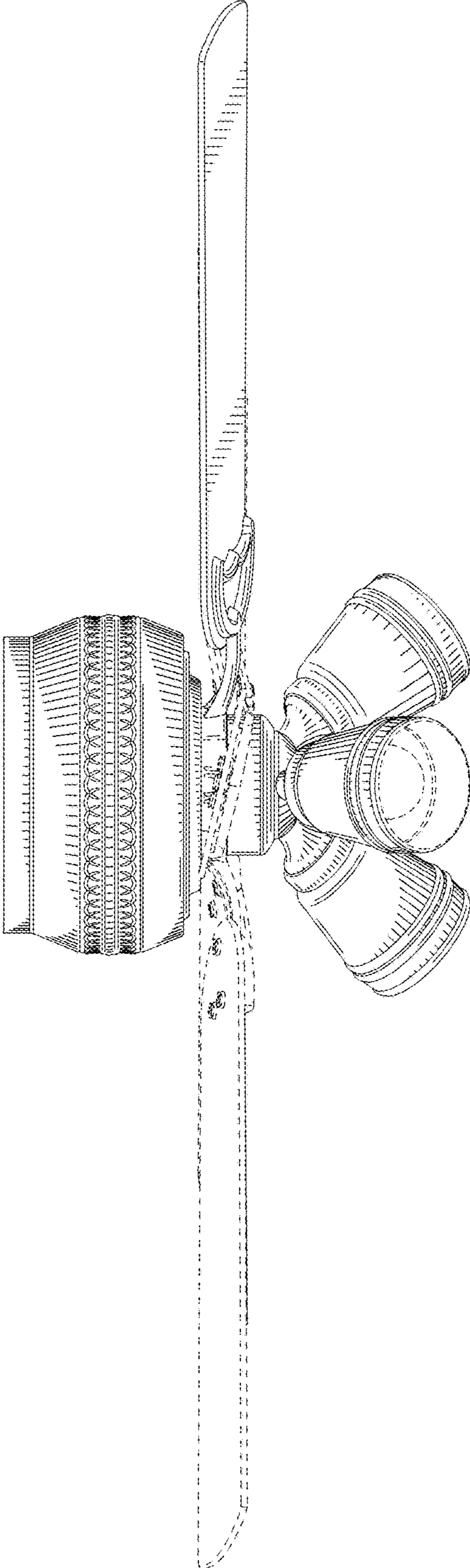


FIG.14

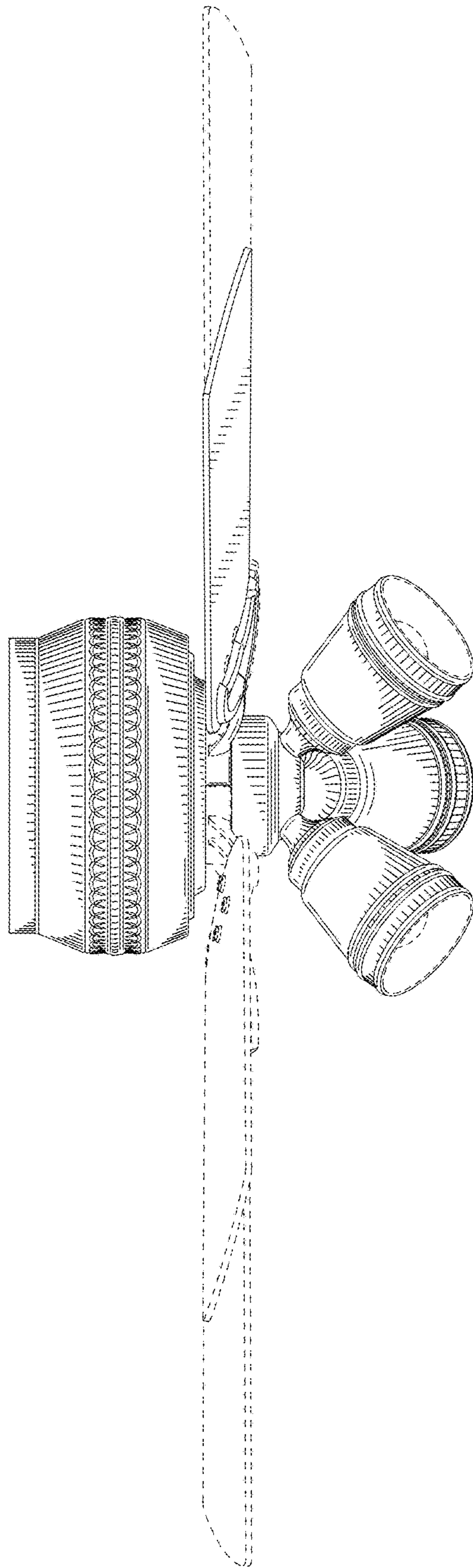


FIG.15

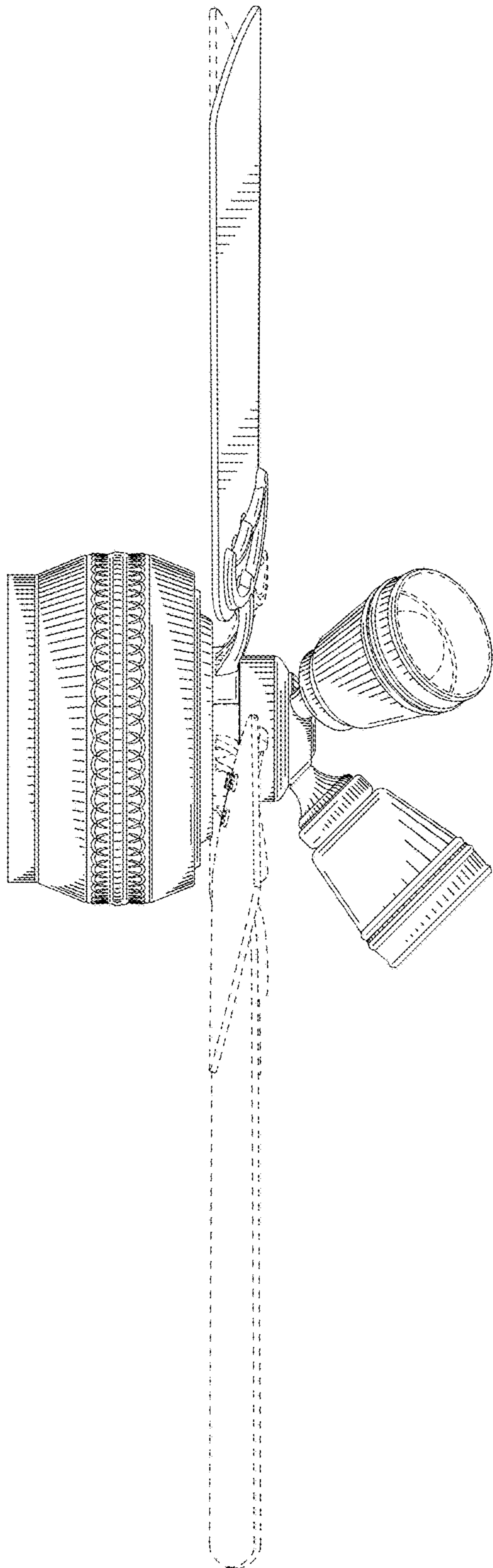


FIG.16