



US00D810920S

(12) **United States Design Patent** (10) **Patent No.:** **US D810,920 S**
Haggar (45) **Date of Patent:** **** Feb. 20, 2018**

(54) **CEILING FAN**

- (71) Applicant: **HUNTER FAN COMPANY**,
Memphis, TN (US)
- (72) Inventor: **Alexander Jonathan Haggar**,
Memphis, TN (US)
- (73) Assignee: **Hunter Fan Company**, Memphis, TN
(US)
- (**) Term: **15 Years**

(21) Appl. No.: **29/582,526**

(22) Filed: **Oct. 28, 2016**

(51) **LOC (11) Cl.** **23-04**

(52) **U.S. Cl.**
USPC **D23/377; D23/385**

(58) **Field of Classification Search**
USPC D23/370, 377, 379, 385, 411; D26/59
CPC F04D 25/088; F21V 33/0096
See application file for complete search history.

(56) **References Cited**

U.S. PATENT DOCUMENTS

| | | | | | |
|-----------------|---|---------|-----------|-------|-------------|
| D298,052 S | * | 10/1988 | Sonneman | | D23/377 |
| D328,491 S | * | 8/1992 | Markwardt | | D23/377 |
| D328,785 S | * | 8/1992 | Markwardt | | D23/377 |
| D333,867 S | | 3/1993 | Markwardt | | |
| D345,790 S | * | 4/1994 | Caldwell | | D23/377 |
| D510,425 S | * | 10/2005 | Young | | D23/377 |
| D552,293 S | | 10/2007 | Silver | | |
| D557,789 S | | 12/2007 | Pickett | | |
| D627,874 S | | 11/2010 | Pan | | |
| D628,688 S | * | 12/2010 | Pan | | D23/377 |
| D707,336 S | * | 6/2014 | Pan | | D23/377 |
| D744,634 S | | 12/2015 | Wang | | |
| D771,794 S | * | 11/2016 | Wang | | D23/411 |
| D782,644 S | * | 3/2017 | Wang | | D23/377 |
| 2005/0249598 A1 | * | 11/2005 | Young | | F04D 25/088 |
| | | | | | 416/198 R |

OTHER PUBLICATIONS

<http://ceilingfans.emerson.com/shop/en/fan/fan-s-all/fans-s-browse-all/highrise-fan-p-cf430>, Item Specification for Emerson Highrise Model CF430BS Ceiling Fan, accessed on Oct. 28, 2016.
<http://www.montecarlofans.com/50454/56-Vision-Max---Roman-Bronze-3VNMR56RBD.html>, Item Specification for Monte Carlo 56in Vision Max Roman Bronze Ceiling Fan Model#3VNMR56RBD, accessed on Oct. 28, 2016.
<http://ceilingfans.emerson.com/shop/en/fan/fans-s-emerson-fans/fans-s-contemporary/atomical-fan-p-cf930>, Item Specification for Emerson Atomical Model CF930BS Ceiling Fan, accessed on Oct. 28, 2016.

(Continued)

Primary Examiner — Janice Hallmark

(74) *Attorney, Agent, or Firm* — McGarry Bair PC

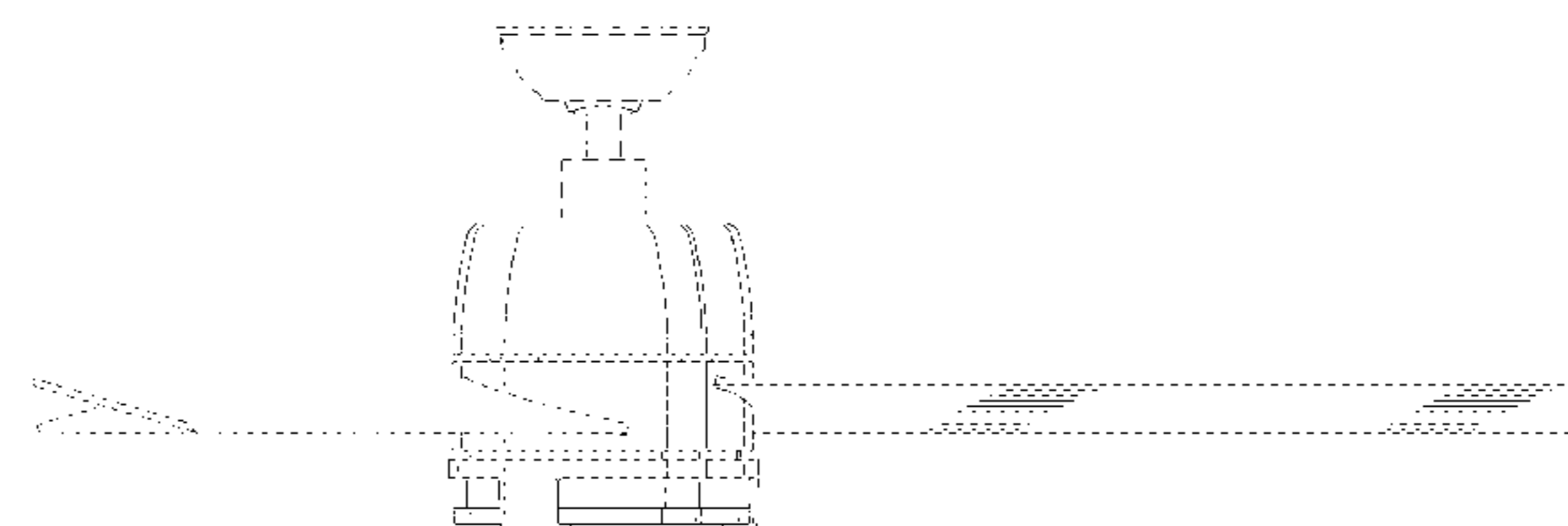
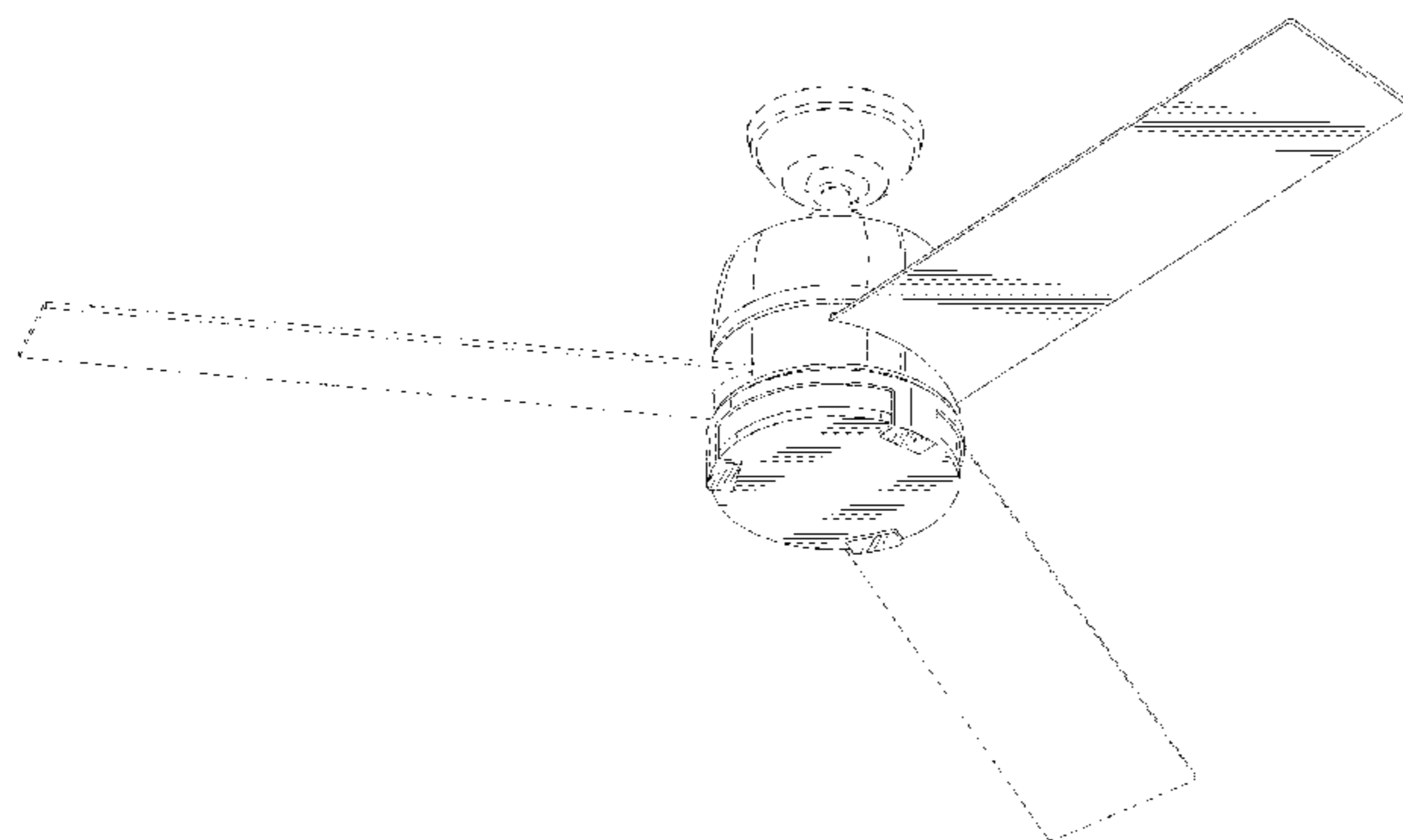
(57) **CLAIM**

The ornamental design for a ceiling fan, as shown and described.

DESCRIPTION

FIG. 1 is a top perspective view of a ceiling fan showing my new design;
 FIG. 2 is a bottom perspective view of the ceiling fan of FIG. 1;
 FIG. 3 is a top view of the ceiling fan of FIG. 1;
 FIG. 4 is a bottom view of the ceiling fan of FIG. 1;
 FIG. 5 is a front side view of the ceiling fan of FIG. 1;
 FIG. 6 is a rear side view of the ceiling fan of FIG. 1;
 FIG. 7 is a right side view of the ceiling fan of FIG. 1; and,
 FIG. 8 is a left side view of the ceiling fan of FIG. 1.
 Portions of the ceiling fan shown in broken lines form no part of the claimed design. Unshaded portions of the ceiling fan adjacent to broken lines form no part of the claimed design.

1 Claim, 8 Drawing Sheets



(56)

References Cited

OTHER PUBLICATIONS

<http://www.minkagroup.net/products/f134-gl>, Item Specification for Minka Aire—Strata F734-GL 52in Ceiling Fan, accessed on Oct. 28, 2016.

<http://www.craftmade.com/Craftmade-MN44FB4-Flat-Black-Ceiling-Fan.HTM>, Item Specification for Craftmade MN44FB4 Montreal Ceiling Fan, accessed on Oct. 28, 2016.

<http://www.kichler.com/products/product/52-arkwet-patio-ceiling-fan-wsp-339529wsp.aspx>, Item Specification for Kichler Arkwet Patio Collection 52in Model 339529WSP Ceiling Fan, accessed on Oct. 28, 2016.

<http://www.kichler.com/products/product/arkwright-ceiling-fan-ap-300146ap.aspx>, Item Specification for Kichler Arkwright Collection Model 300146AP Ceiling Fan, accessed on Oct. 28, 2016.

<http://www.montecarlofans.com/38127/42-Vision-II---Oil-Rubbed-Bronze-3VNR42OZD.html>, Item Specification for Monte Carlo

42in Vision II—Oil Rubbed Bronze Model 3VNR42OZD Ceiling Fan, accessed on Oct. 28, 2016.

<http://www.fanimation.lightingnewyork.com/product/fanimation-fans-zonix-indoor-ceiling-fans-fp4650ob.html?page=1> Item Specification for Fanimation Zonix 54in Oil-Rubbed Bronze Model FP4650OB Ceiling Fan, accessed on Oct. 28, 2016.

<http://www.fanimation.lightingnewyork.com/product/fanimation-fans-xeno-indoor-ceiling-fans-fp6728bn.html?page=1>, Item Specification for Fanimation Xeno 56in Brushed Nickel Model FP6728BN Ceiling Fan, accessed on Oct. 28, 2016.

<http://www.fanimation.com/products/index.php/fans/odyn.html>, Item Specification for Fanimation Odyn Model FPD8149 ceiling Fan, accessed on Oct. 28, 2016.

<http://www.quoruminternational.com/index.cfm/app/productDetail?product=20543-965>, Item Specification for Quorum International 20543-965 Ceiling Fan, accessed on Oct. 28, 2016.

<http://www.kichler.com/products/product/52-inch-vassar-ceiling-fan-ni-300175ni.aspx>, Item Specification for Kichler 52in Vassar Ceiling Fan Model 300175NI, accessed on Oct. 28, 2016.

* cited by examiner

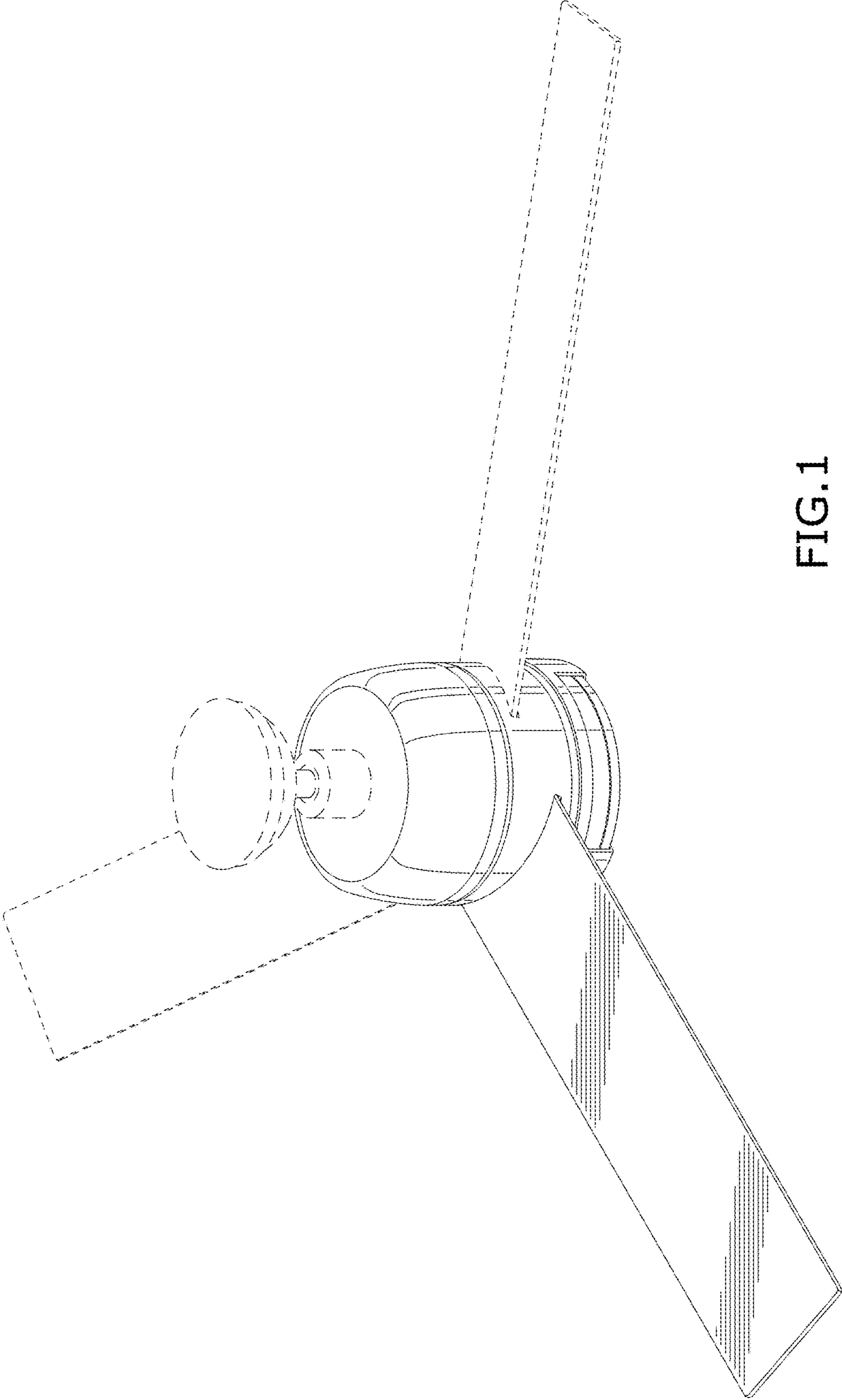


FIG.1

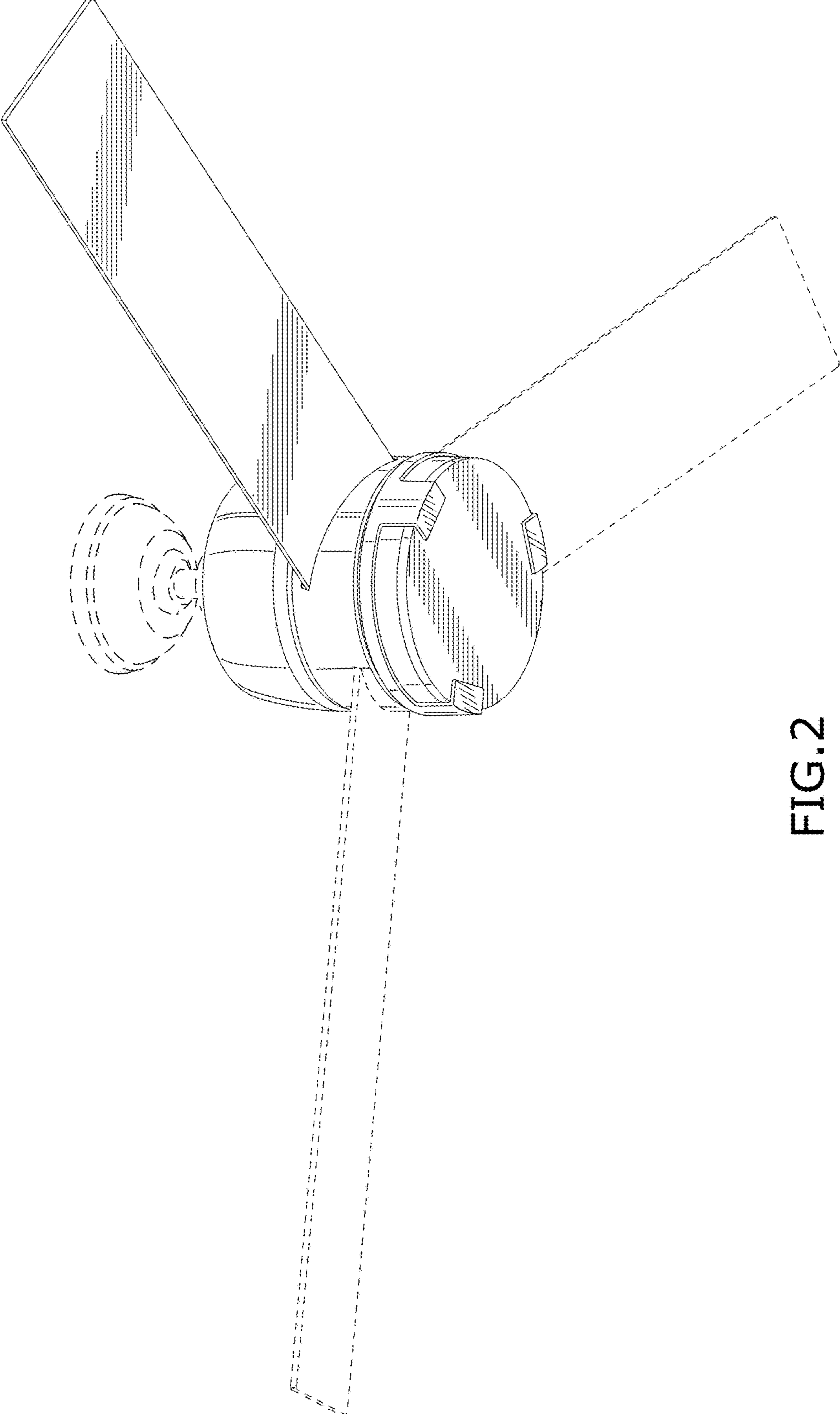


FIG.2

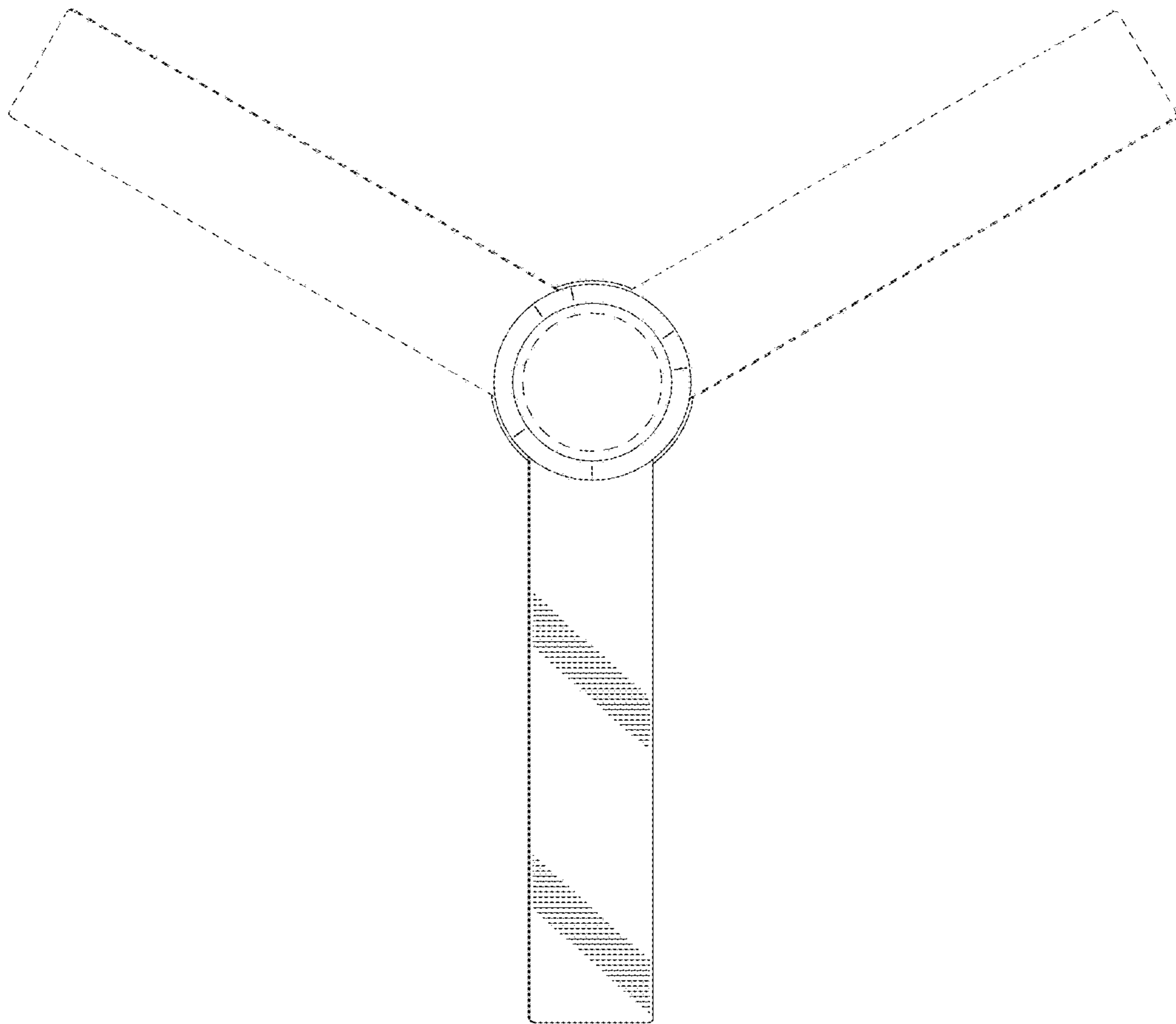


FIG. 3

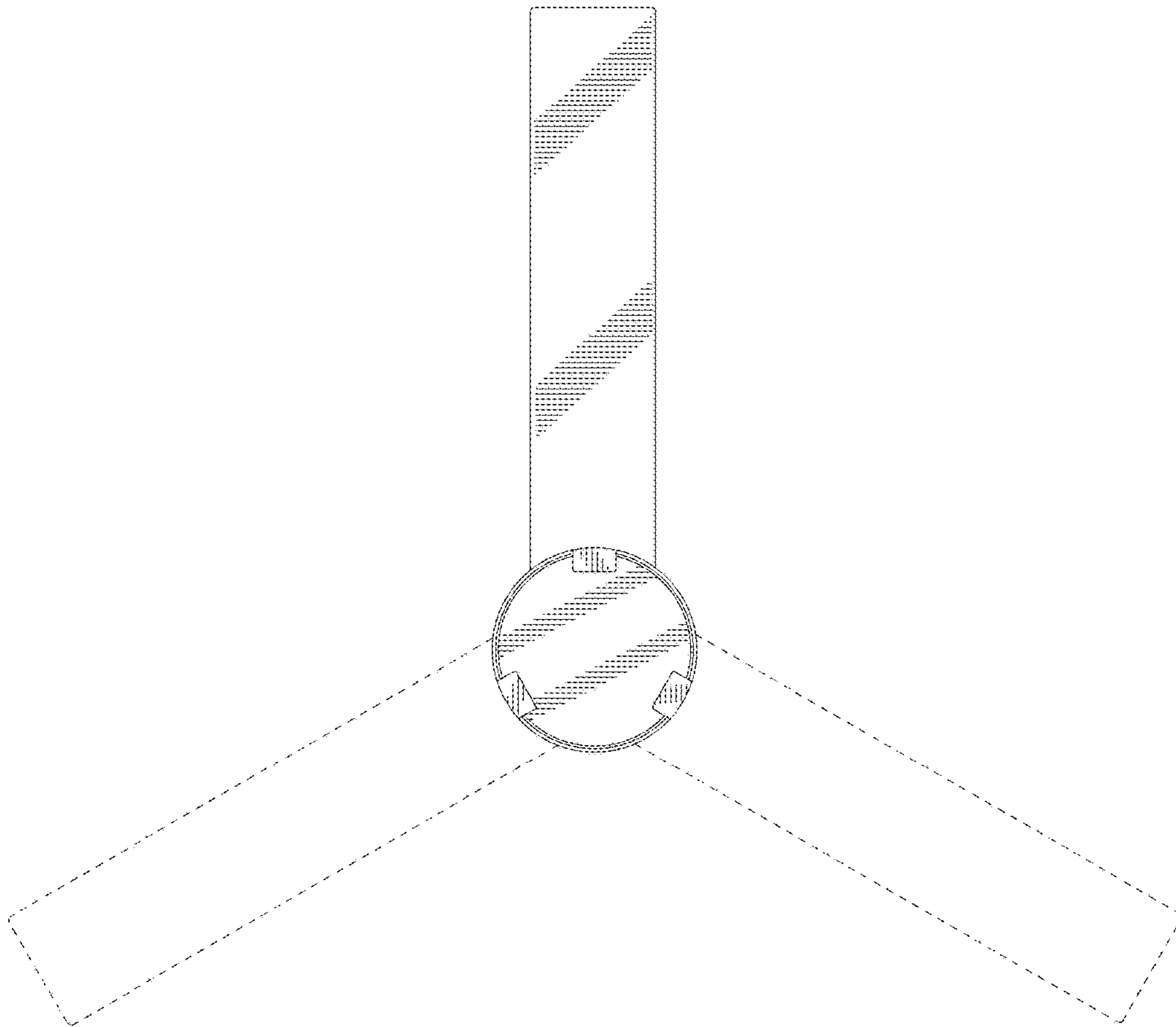


FIG.4

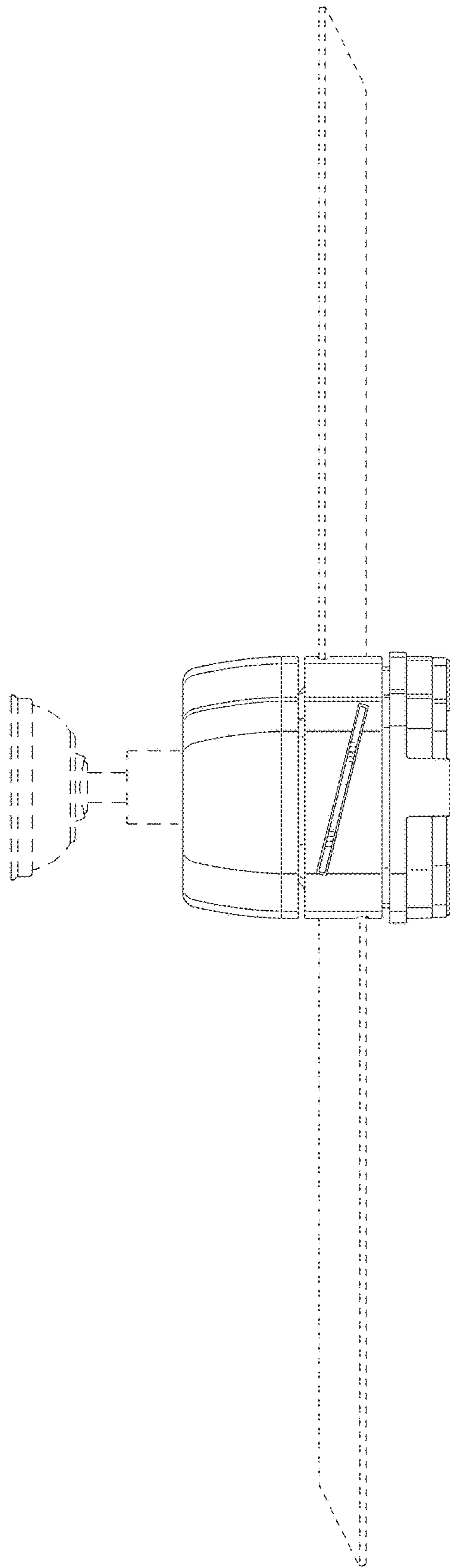


FIG.5

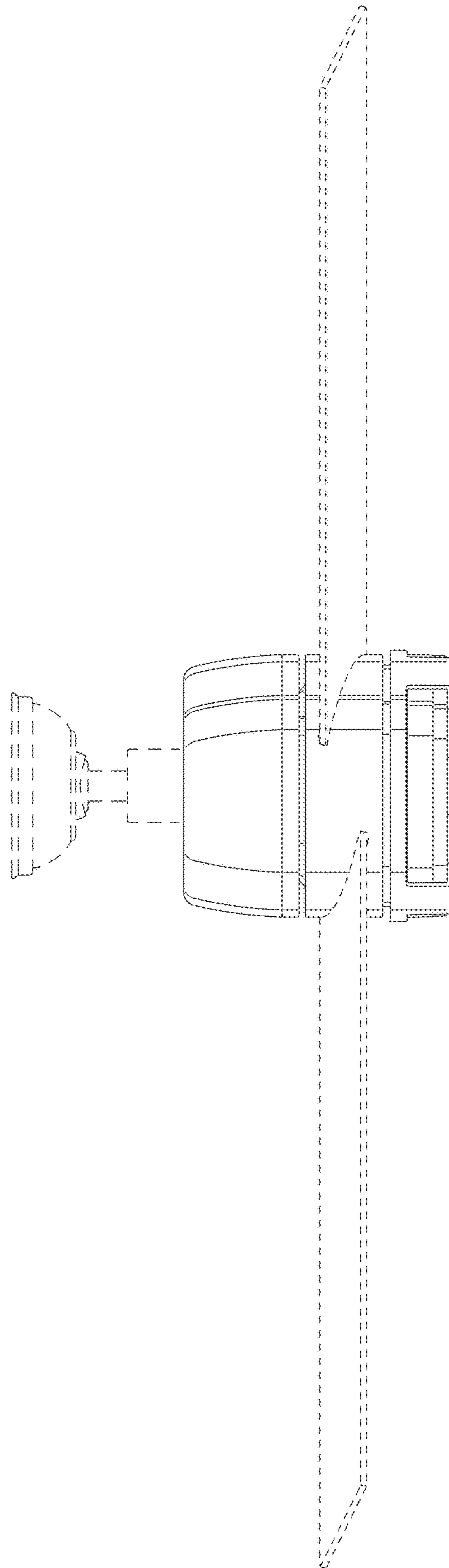


FIG.6

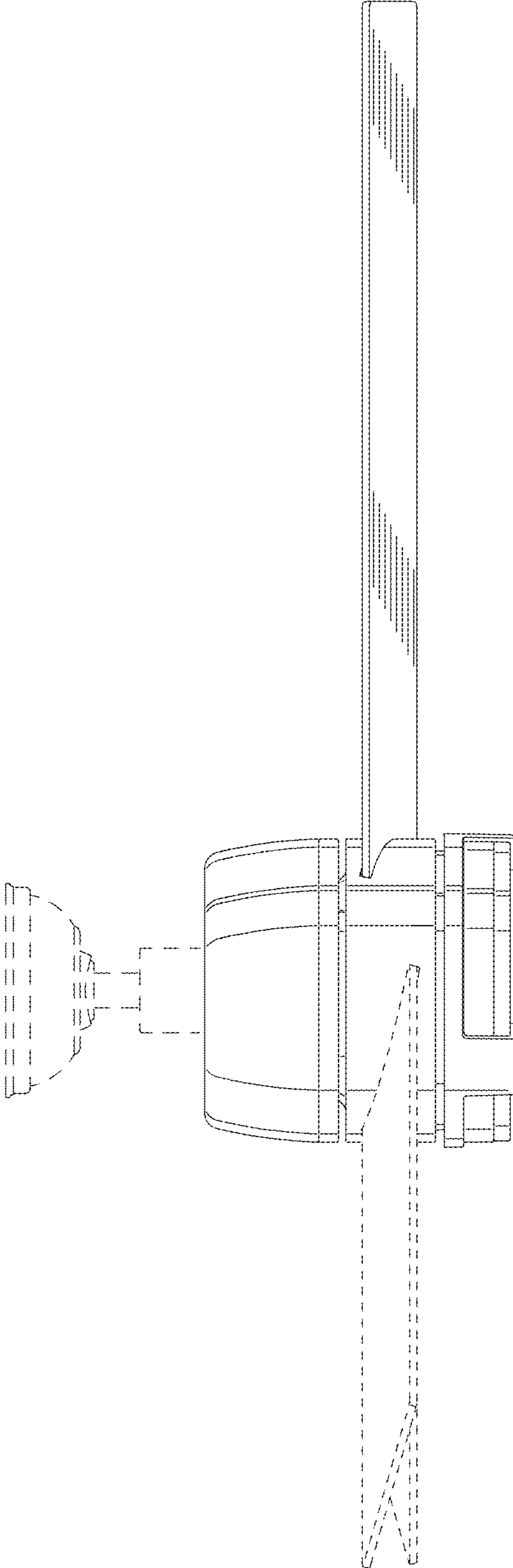


FIG.7

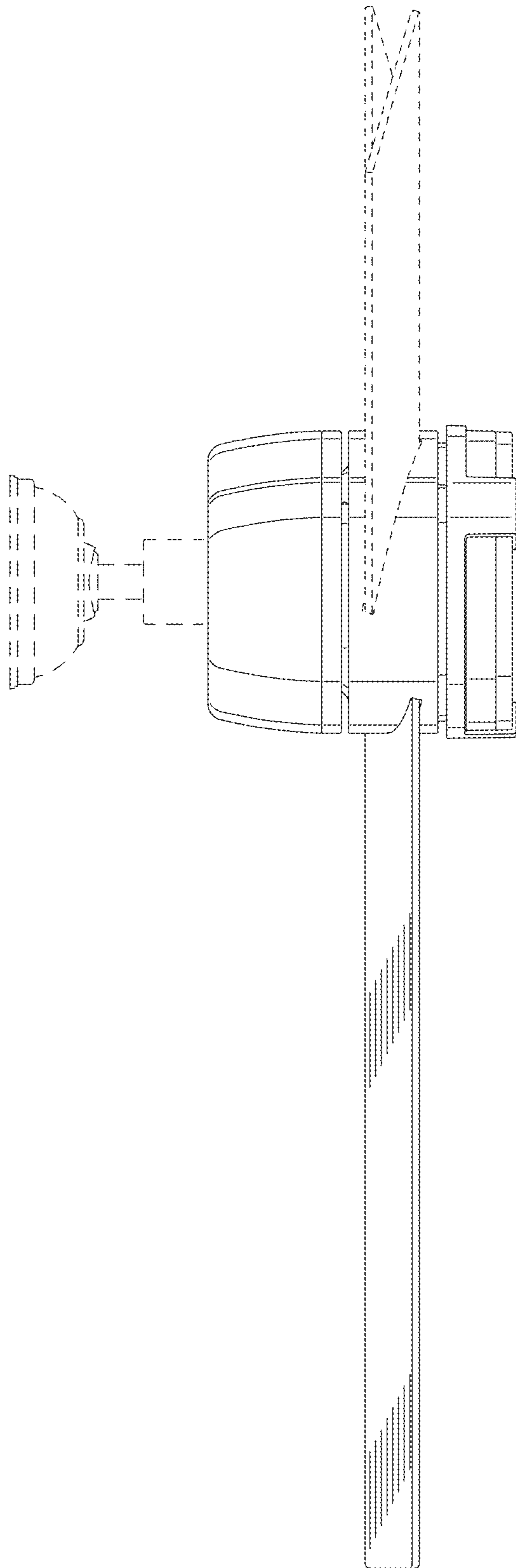


FIG. 8