



US00D810919S

(12) **United States Design Patent** (10) **Patent No.:** **US D810,919 S**
Haggar (45) **Date of Patent:** **** Feb. 20, 2018**

- (54) **CEILING FAN**
- (71) Applicant: **HUNTER FAN COMPANY**,
Memphis, TN (US)
- (72) Inventor: **Alexander Jonathan Haggar**,
Memphis, TN (US)
- (73) Assignee: **Hunter Fan Company**, Memphis, TN
(US)
- (**) Term: **15 Years**
- (21) Appl. No.: **29/582,444**
- (22) Filed: **Oct. 27, 2016**
- (51) **LOC (11) Cl.** **23-04**
- (52) **U.S. Cl.**
USPC **D23/377; D23/385**
- (58) **Field of Classification Search**
USPC D23/370, 377, 379, 385, 411; D26/59
CPC F04D 25/088; F21V 33/0096
See application file for complete search history.

- (56) **References Cited**
U.S. PATENT DOCUMENTS
- | | | | | | |
|------------|---|---------|-------------|-------|---------|
| D304,229 S | * | 10/1989 | Rezek | | D23/377 |
| D325,776 S | * | 4/1992 | Scotfield | | D23/377 |
| D340,515 S | * | 10/1993 | Rezek | | D23/377 |
| D386,257 S | * | 11/1997 | Liu | | D23/377 |
| D398,980 S | | 9/1998 | Pearce | | |
| D408,515 S | * | 4/1999 | Evans | | D23/377 |
| D445,887 S | * | 7/2001 | Campbell | | D23/377 |
| D449,682 S | | 10/2001 | Gajewski | | |
| D479,317 S | * | 9/2003 | Gajewski | | D23/377 |
| D542,905 S | * | 5/2007 | Young | | D23/377 |
| D549,315 S | * | 8/2007 | Gajewski | | D23/377 |
| D549,814 S | * | 8/2007 | Gajewski | | D23/377 |
| D566,259 S | * | 4/2008 | Bucher | | D23/377 |
| D600,339 S | | 9/2009 | Searle | | |
| D627,456 S | | 11/2010 | Glasbrenner | | |
| D627,874 S | | 11/2010 | Pan | | |
| D630,312 S | * | 1/2011 | Spaulding | | D23/377 |

- D632,384 S 2/2011 Pan
- D715,418 S * 10/2014 Schulzman D23/377
- D744,634 S 12/2015 Wang
- 2008/0286105 A1 * 11/2008 Gajewski F24F 7/007
416/155

OTHER PUBLICATIONS

<http://ceilingfans.emerson.com/shop/en/fan/fan-s-all/fans-s-browse-all/highrise-fan-p-cf430>, Item Specification for Emerson Highrise, Model No. CF430BS, Accessed on Oct. 27, 2016.
<http://ceilingfans.emerson.com/shop/en/fan/fans-s-emerson-fans/fans-s-contemporary/atomical-fan-p-cf930>, Item Specification for Emerson Atomical, Model No. CF930WW, Accessed on Oct. 27, 2016.
<http://www.minkagroup.net/products/f734-gl>, Item Specification for Minka Group Strata, Model No. F734-GL, Accessed on Oct. 27, 2016.

(Continued)

Primary Examiner — Janice Hallmark
 (74) *Attorney, Agent, or Firm* — McGarry Bair PC

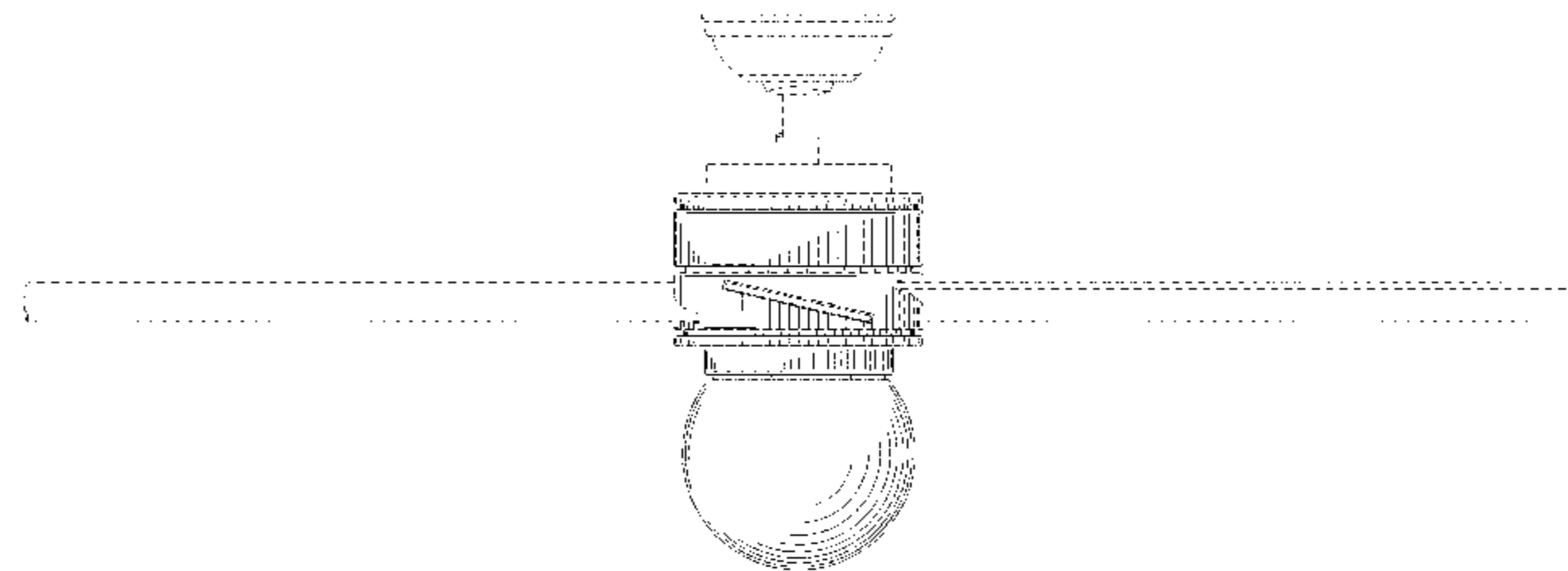
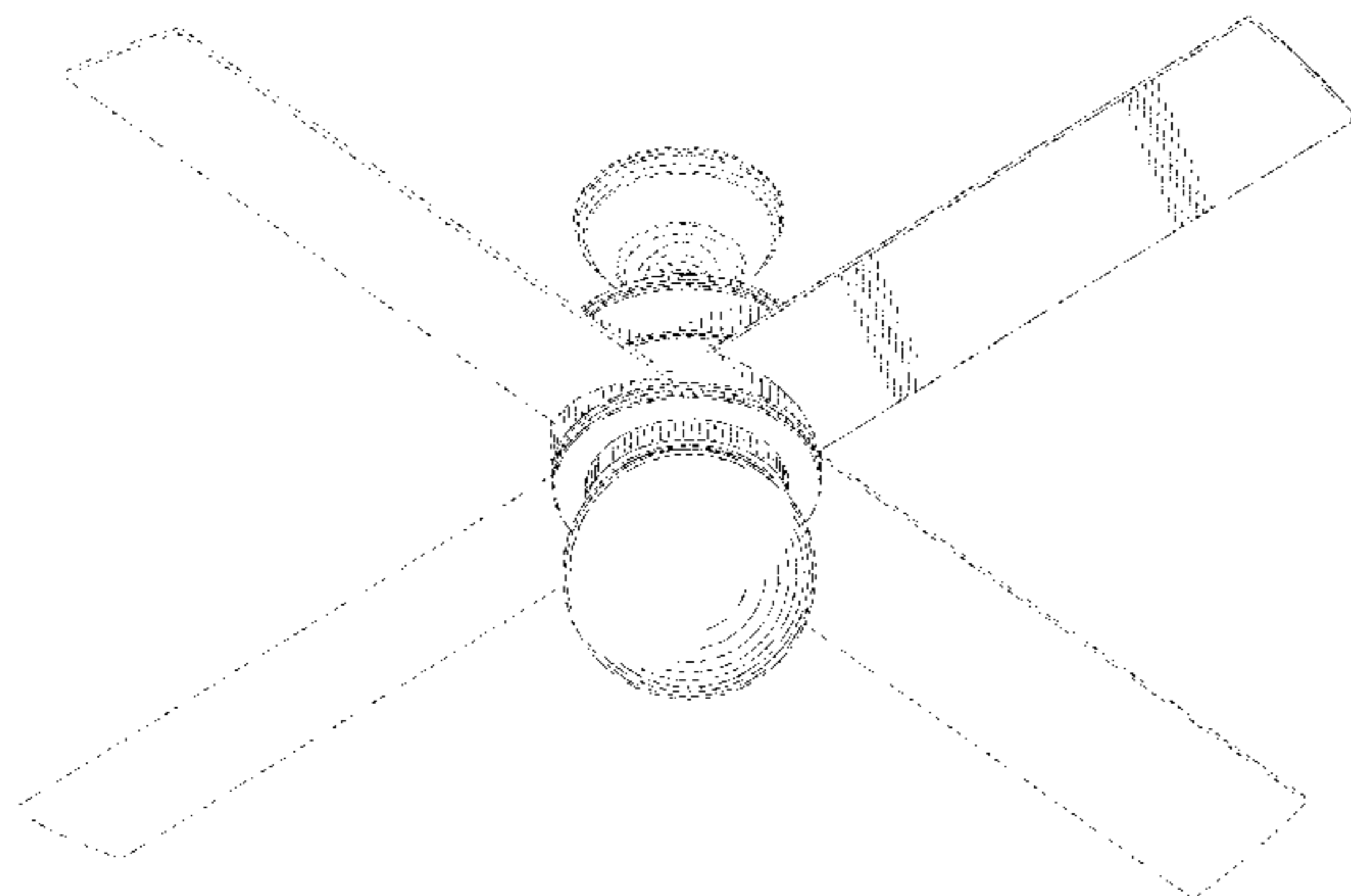
(57) **CLAIM**

The ornamental design for a ceiling fan, as shown and described.

DESCRIPTION

FIG. 1 is a top perspective view of a ceiling fan showing my new design;
 FIG. 2 is a bottom perspective view of the ceiling fan of FIG. 1;
 FIG. 3 is a top view of the ceiling fan of FIG. 1;
 FIG. 4 is a bottom view of the ceiling fan of FIG. 1; and,
 FIG. 5 is a side view of the ceiling fan of FIG. 1.
 Portions of the drawings shown in broken lines form no part of the claimed design.

1 Claim, 5 Drawing Sheets



(56)

References Cited

OTHER PUBLICATIONS

<http://www.craftmade.com/Craftmade-MN44FB4-Flat-Black-Ceiling-Fan.HTM>, Item Specification for Craftmade Montreal, Model No. MN44FB4, Accessed on Oct. 27, 2016.

<http://www.kichler.com/products/product/52-arkwet-patio-ceiling-fan-wsp-339529wsp.aspx>, Item Specification for Kichler Arkwet Patio Collection 52" Arkwet Patio Ceiling Fan WSP, Model No. 339529WSP, Accessed on Oct. 27, 2016.

<http://www.kichler.com/products/product/arkwright-ceiling-fan-ap-300146ap.aspx>, Item Specification for Kichler Arkwright Collection Arkwright Fan AP, Model No. 300146AP, Accessed on Oct. 27, 2016.

<http://www.quoruminternational.com/index.cfm/app/productDetail?product=32323-65>, Item Specification for Quorum Gusto Satin Nickel Ceiling Fan, Model No. 32323-65, Accessed on Oct. 27, 2016.

<http://www.montecarlofans.com/38127/42-Vision-II---Oil-Rubbed-Bronze-3VNR42OZD.html>, Monte Carlo 42" Vision II, Model No. 3VNR42OZD, Accessed on Oct. 27, 2016.

<http://www.modernfan.com/products/lumina.html>, Item Specification for Modern Fan Co Lumina, Accessed on Oct. 27, 2016.

<http://www.kingoffans.com/#/products/ceilingFans>, Item Specification for Tripoli, Accessed on Oct. 27, 2016.

<http://www.fanimation.com/products/index.php/fans/distinction-dc.html>, Item Specification for Fanimation Distinction DC, Model No. D1, Accessed on Oct. 27, 2016.

<http://www.fanimation.com/products/crestford/>, Item Specification for Fanimation Crestford, Model No. FP7954, Accessed on Oct. 27, 2016.

<http://www.craftmade.com/Graftmade-FB60OBG5-Oiled-Bronze-Gilded-Outdoor-Ceiling-Fan.HTM>, Item Specification for Craftmade Fredericksburg, Model FB60OBG5, Accessed on Oct. 27, 2016.

* cited by examiner

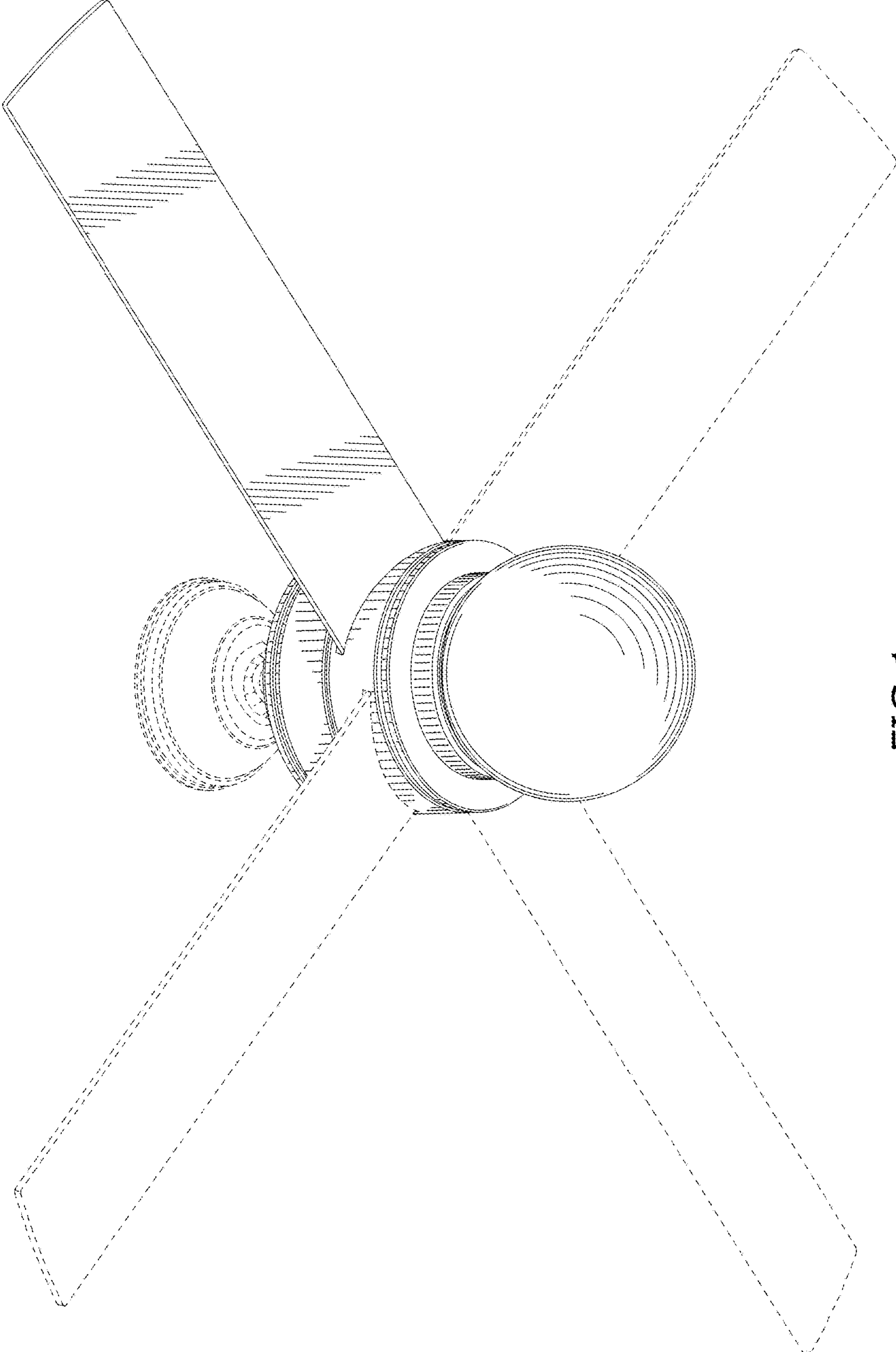


FIG.1

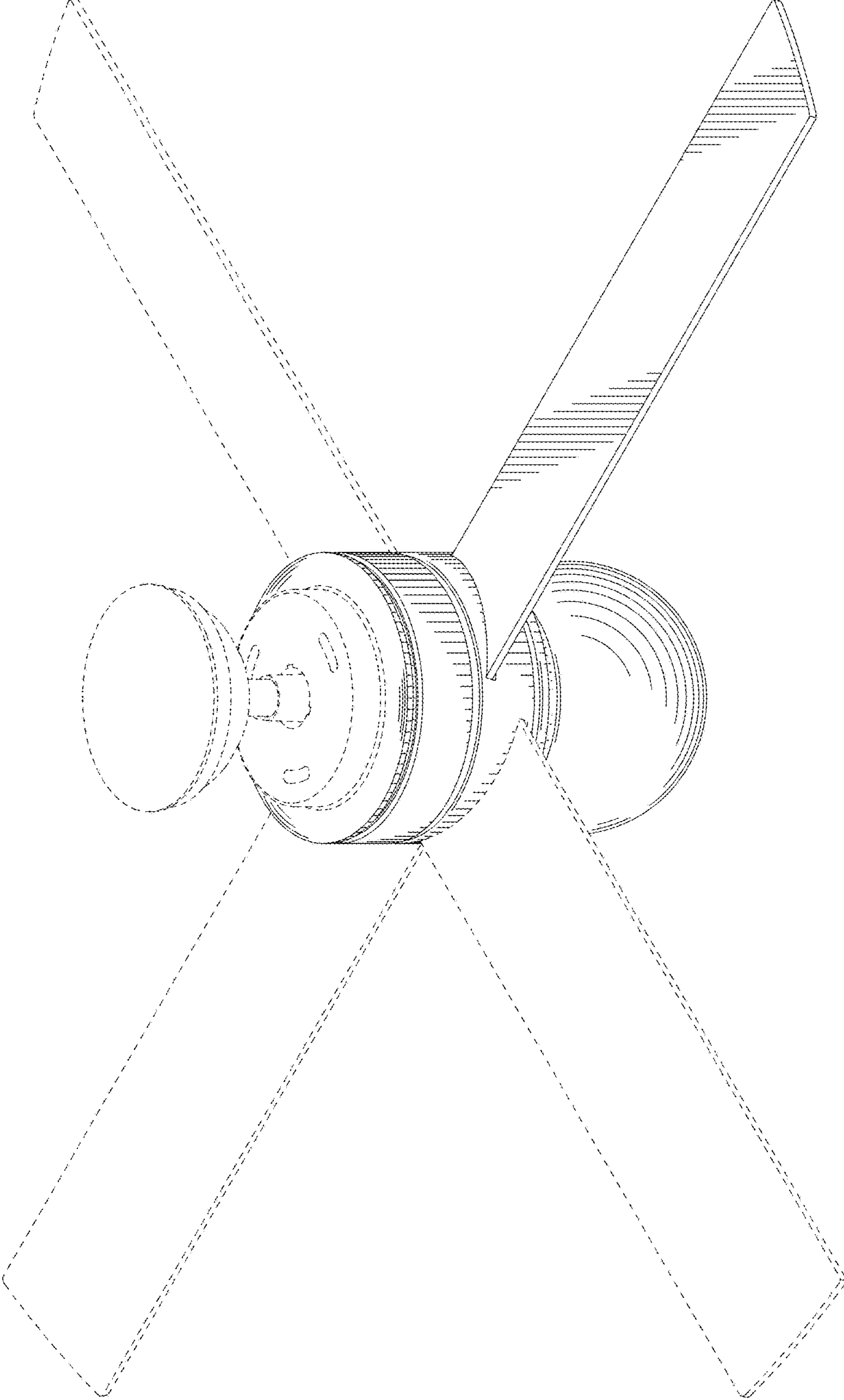


FIG.2

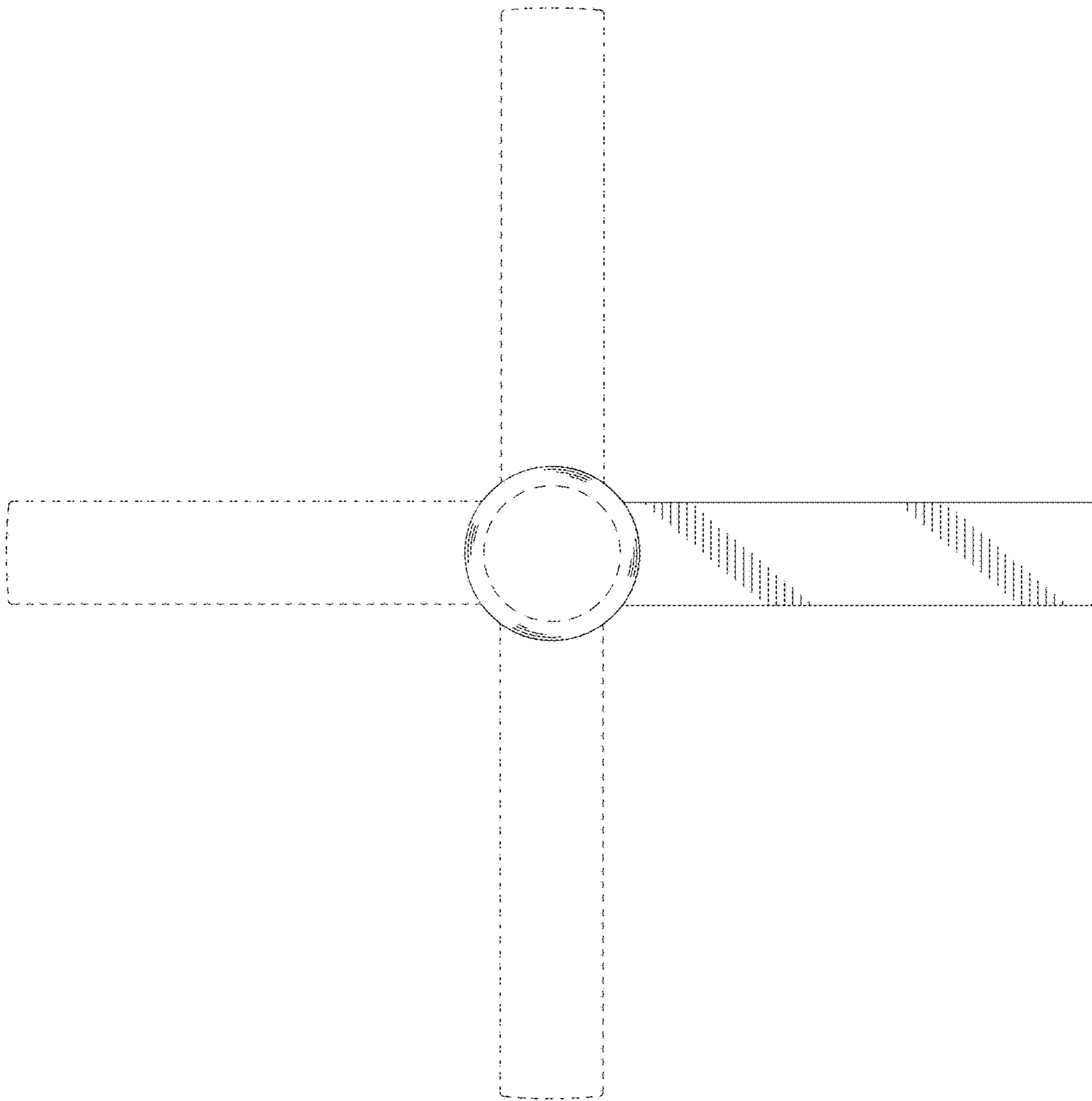


FIG.3

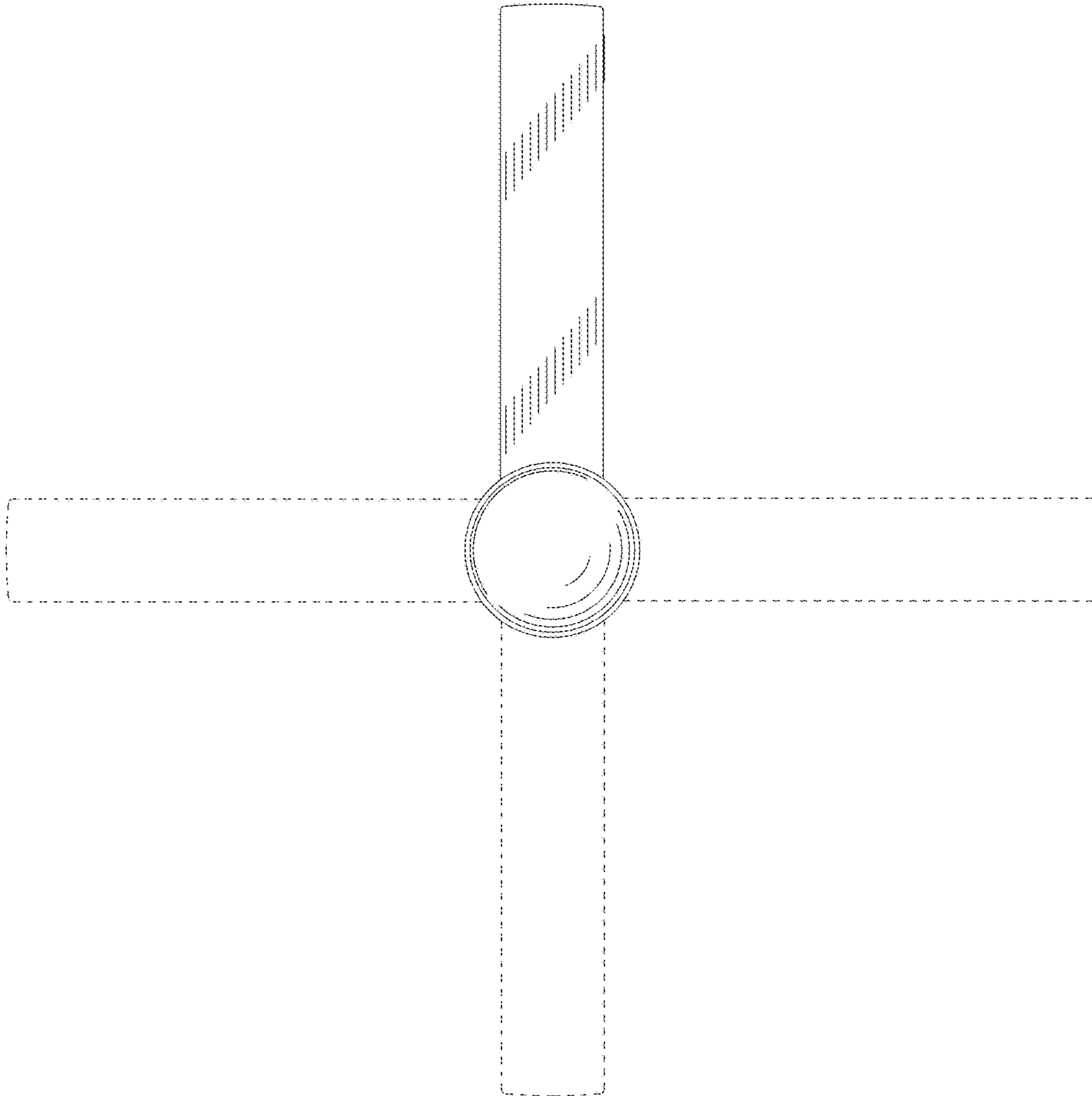


FIG.4

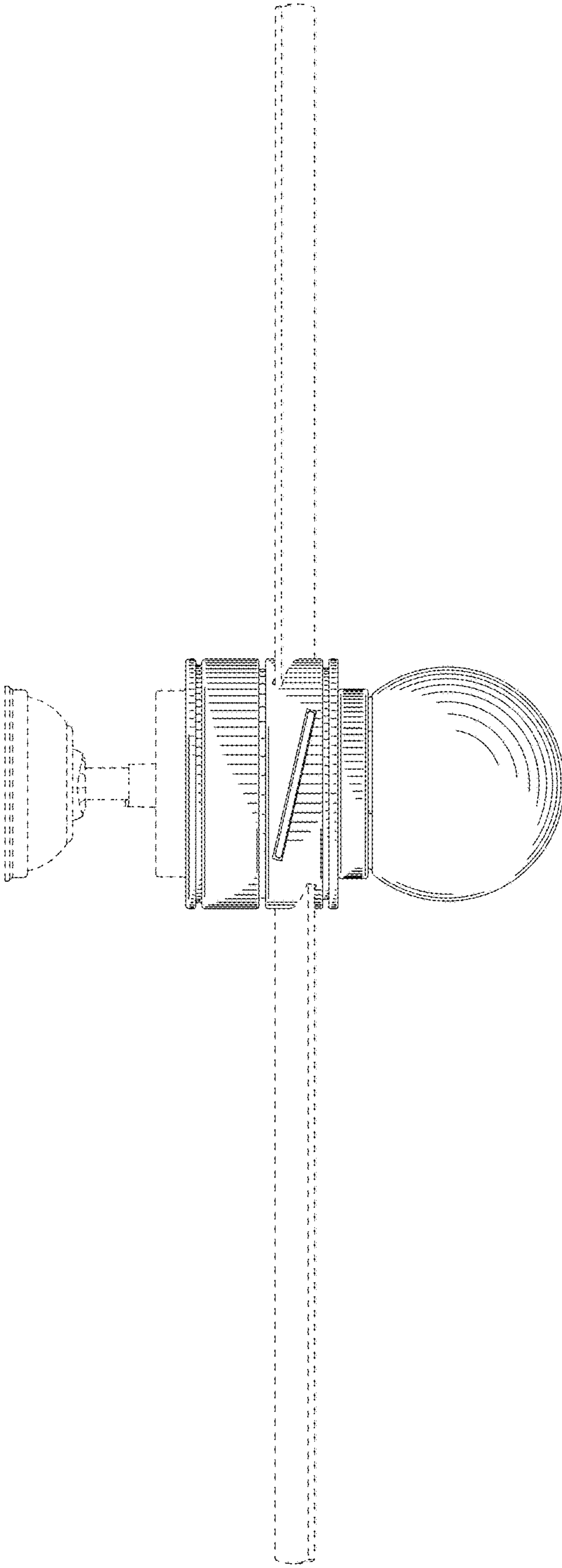


FIG.5