



US00D810916S

(12) **United States Design Patent**
Holmes et al.

(10) **Patent No.:** **US D810,916 S**

(45) **Date of Patent:** **** Feb. 20, 2018**

(54) **CEILING FAN**

(71) Applicant: **HUNTER FAN COMPANY**,
Memphis, TN (US)

(72) Inventors: **Christine Holmes**, Memphis, TN (US);
Claire Bernice McRoberts, Memphis,
TN (US)

(73) Assignee: **Hunter Fan Company**, Memphis, TN
(US)

(**) Term: **15 Years**

(21) Appl. No.: **29/578,899**

(22) Filed: **Sep. 26, 2016**

(51) **LOC (11) Cl.** **23-04**

(52) **U.S. Cl.**
USPC **D23/377; D23/385**

(58) **Field of Classification Search**
USPC D23/370, 377, 379, 381, 382, 385, 411,
D23/413, 414, 332, 328; D26/59
CPC F04D 25/08; F04D 29/388; F04D 29/34;
F04D 25/088; H02K 1/187
See application file for complete search history.

(56) **References Cited**

U.S. PATENT DOCUMENTS

4,342,073	A	*	7/1982	Ranten	F04D 25/088	362/147
D490,512	S		5/2004	Campbell			
D507,827	S	*	7/2005	Hidalgo	D23/377	
D508,121	S	*	8/2005	Hidalgo	D23/377	
D508,736	S	*	8/2005	Hidalgo	D23/377	
D518,567	S		4/2006	Hidalgo			
D524,936	S		7/2006	Hidalgo			
D529,164	S	*	9/2006	Hidalgo	D23/377	
D557,400	S		12/2007	Curtin			
D573,242	S	*	7/2008	Pan	D23/377	
D573,245	S		7/2008	Pan			
D579,103	S		10/2008	Hidalgo			

D594,540	S	*	6/2009	Pan	D23/377	
D594,541	S	*	6/2009	Pan	D23/377	
D594,542	S	*	6/2009	Pan	D23/377	
D594,543	S	*	6/2009	Pan	D23/377	
D594,958	S	*	6/2009	Hidalgo	D23/377	
D602,150	S		10/2009	Curtin			
D621,498	S		8/2010	Chen			
D626,210	S		10/2010	Searle			
D643,105	S	*	8/2011	Orozco	D23/377	
D671,202	S	*	11/2012	Searle	D23/377	

(Continued)

OTHER PUBLICATIONS

<http://www.kichler.com/products/product/52-inch-larissa-fan-tzg-300012tzg.aspx>, Item Specification for Larissa Collection 52 Inch Larissa Fan Model No. 300012TZG (Tannery Bronze w/ Gold Accent), accessed Sep. 26, 2016.

(Continued)

Primary Examiner — Janice Hallmark

(74) *Attorney, Agent, or Firm* — McGarry Bair PC

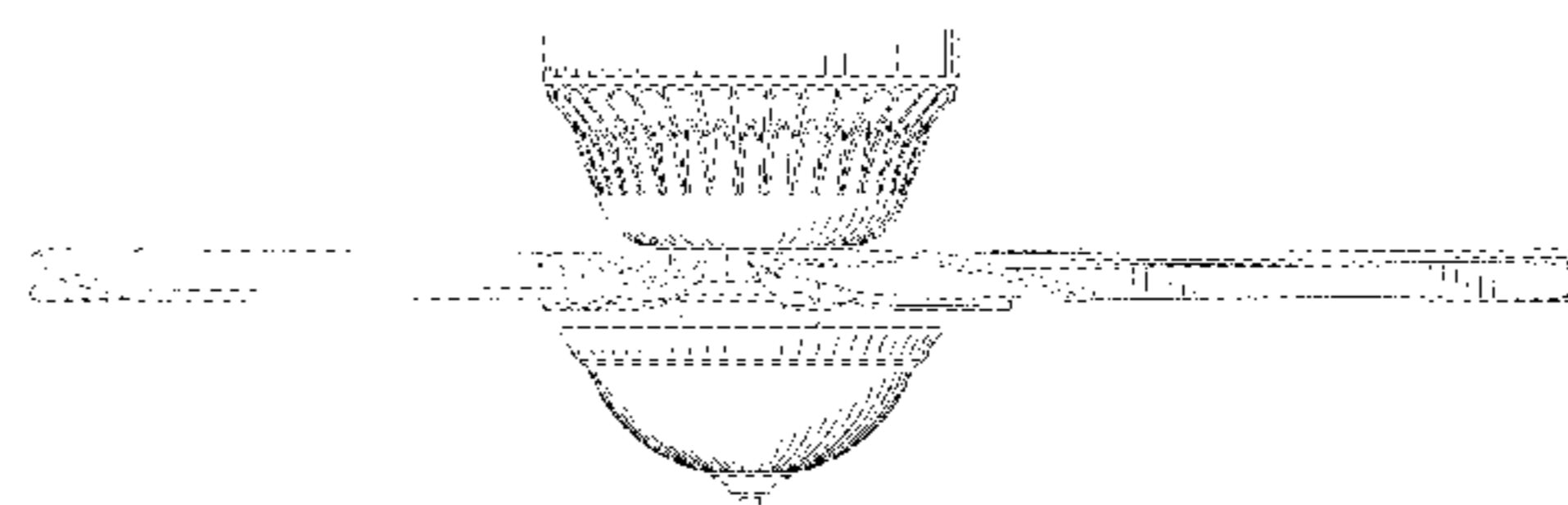
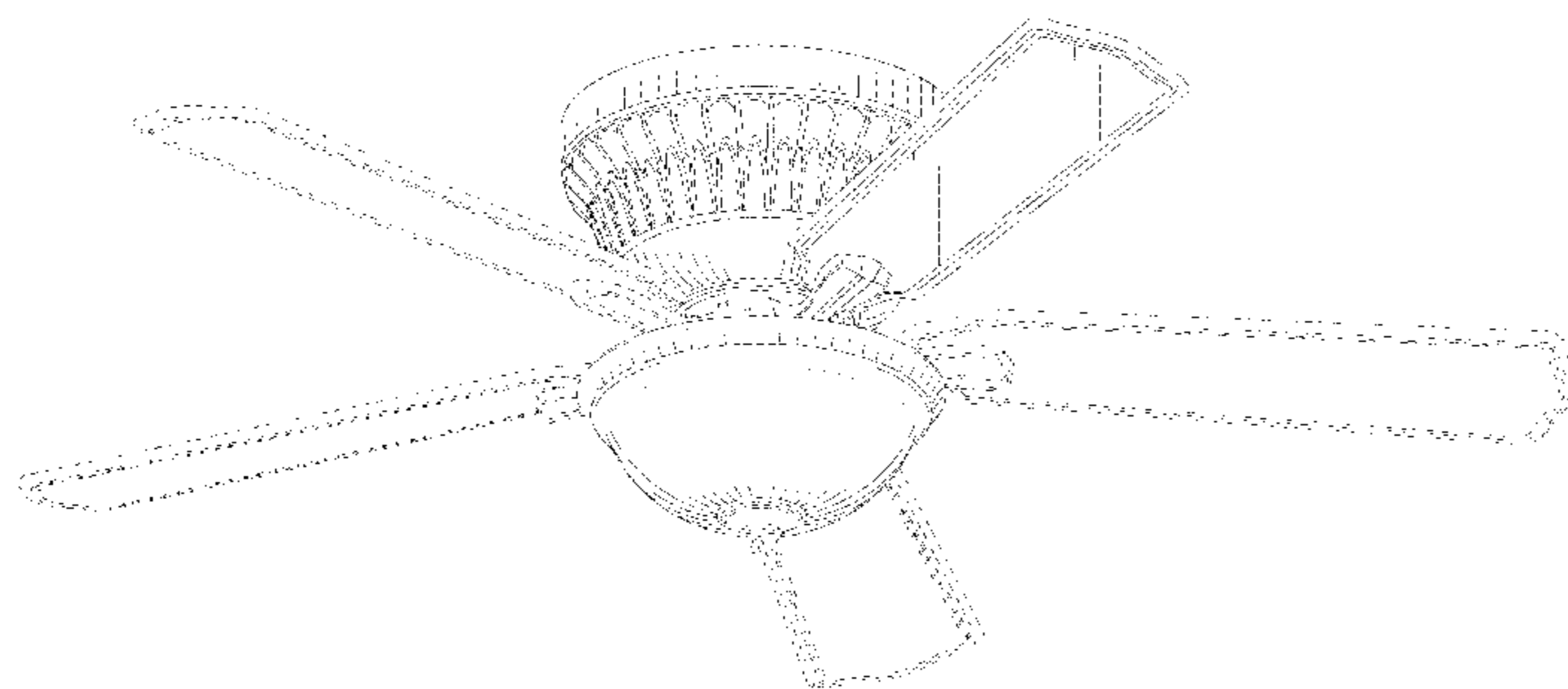
(57) **CLAIM**

The ornamental design for a ceiling fan, as shown and described.

DESCRIPTION

FIG. 1 is a top perspective view of a ceiling fan;
FIG. 2 is a bottom perspective view of the ceiling fan of FIG. 1;
FIG. 3 is a top view of the ceiling fan of FIG. 1;
FIG. 4 is a bottom view of the ceiling fan of FIG. 1;
FIG. 5 is a front side view of the ceiling fan of FIG. 1;
FIG. 6 is a right side view of the ceiling fan of FIG. 1;
FIG. 7 is a left side view of the ceiling fan of FIG. 1; and,
FIG. 8 is a rear side view of the ceiling fan of FIG. 1.
Portions of the ceiling fan shown in broken lines form no part of the claimed design.

1 Claim, 6 Drawing Sheets



(56)

References Cited

U.S. PATENT DOCUMENTS

D706,917 S * 6/2014 Cohen D23/377
 D707,807 S * 6/2014 Pan D23/377
 D713,026 S 9/2014 Glasbrenner

OTHER PUBLICATIONS

<http://www.homedepot.com/p/Hampton-Bay-Lynwood-52-in-Oil-Rubbed-Bronze-Indoor-Ceiling-Fan-36945/100630837>, Item Specification for Lynwood 52 in. Oil Rubbed Bronze Indoor Ceiling Fan Model 36945, accessed Sep. 26, 2016.
<http://www.kingoffans.com/#/products>, Item Specification for King of Fans Belvedere Model # 86691, accessed Sep. 26, 2016.
<http://www.homedepot.com/p/Hunter-Ashmont-52-in-Onyx-Bengal-Ceiling-Fan-53253/204468795?keyword=Hunter+fan+ashmont+53253>, Item Specification for Hunter Fan Ashmont 52" Ceiling Fan 53253 Onyx Bengal Finish 5 Dark Walnut / Cherry Reversible Composite blades included, accessed Sep. 26, 2016.
<http://www.quoruminternational.com/index.cfm/app/>

[productDetail?product=81524-65](http://www.moglix.com/standard-stellar-dt-silver-blue-ceiling-fan-sweep-1050-mm/mp/msn2w31ak38vvp), Item Specification for Quorum International 81524-65 Ceiling Fan, accessed Sep. 26, 2016.
<http://www.moglix.com/standard-stellar-dt-silver-blue-ceiling-fan-sweep-1050-mm/mp/msn2w31ak38vvp>, Item Specification for Crompton Greaves Standard Stellar—DT Silver-Blue Ceiling Fan, Sweep: 1050 mm, accessed Sep. 26, 2016.
<https://www.menards.com/main/lighting-ceiling-fans/ceiling-fans/shop-all-ceiling-fans/hunter-reg-palatine-52-old-walnut-ceiling-fan/p-1444433649314.htm>, Item Specification for Hunter® Palatine 52" Old Walnut Ceiling Fan Model Number: 5301, accessed Sep. 26, 2016.
<https://www.walmart.com/ip/Monte-Carlo-Aberdeen-TB-Energy-Star-Rated-Five-Blade-52-Indoor-Ceiling-Fan-Blades-Included-Tuscan-Bronze/26155314>, Item Specification for Monte Carlo 5AB52TB Aberdeen 52-Inch 5-Blade Ceiling Fan with Mahogany Blades, Tuscan Bronze, accessed Sep. 26, 2016.
<http://www.lowes.com/pd/Kichler-Lighting-Cortez-52-in-Tannery-Bronze-Downrod-Mount-Indoor-Ceiling-Fan-5-Blade/999904017>, Item Specification for Kichler Lighting Cortez 52-in Tannery Bronze Downrod Mount Indoor Ceiling Fan (5-Blade) Item # 692145 Model # 300113TZ, accessed Sep. 26, 2016.

* cited by examiner

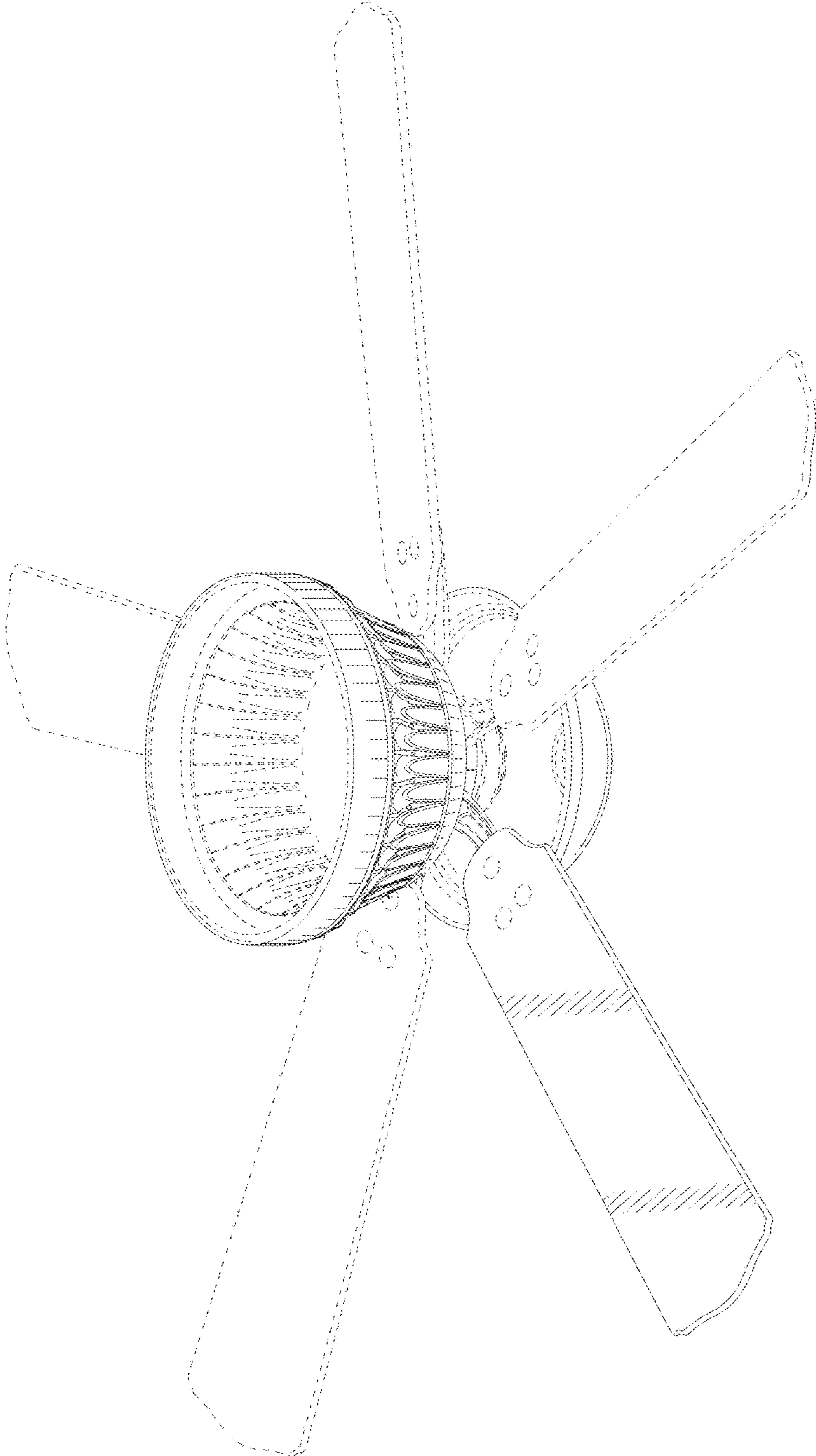


FIG.1

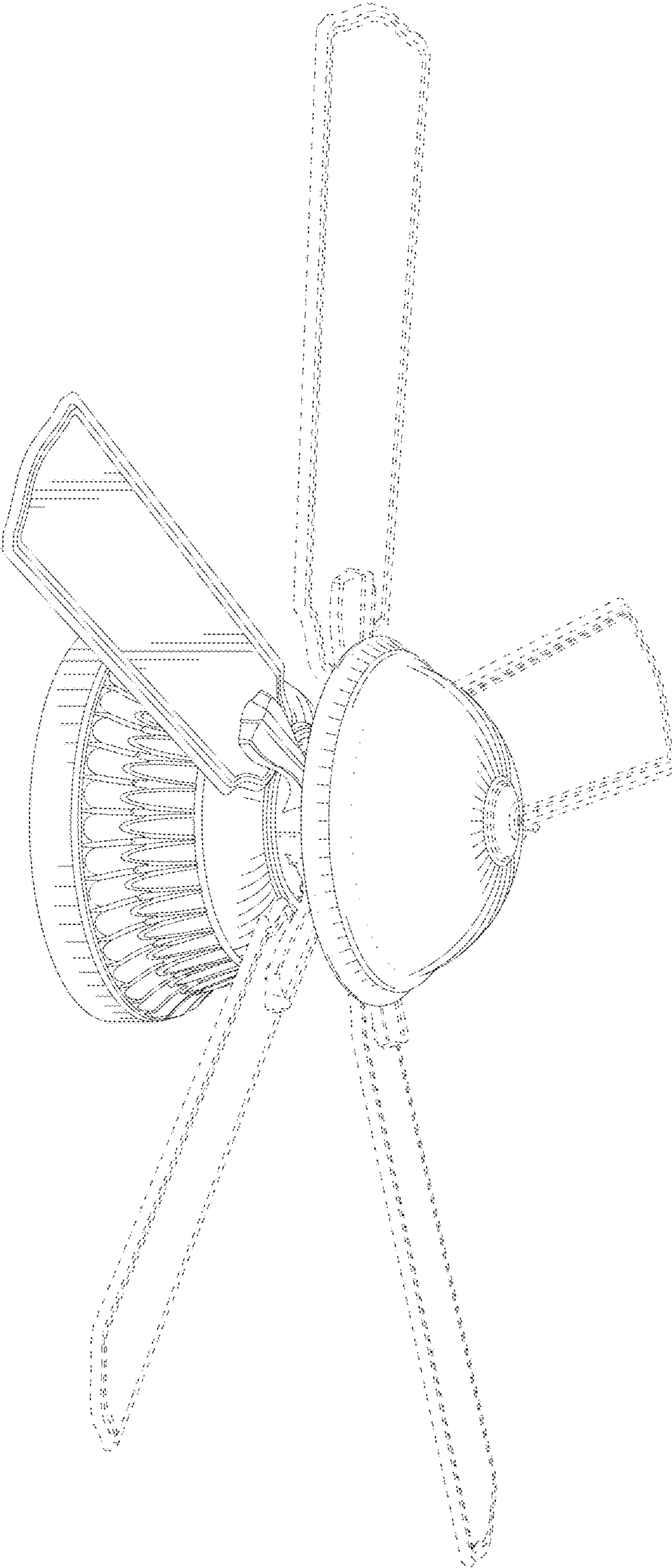


FIG.2

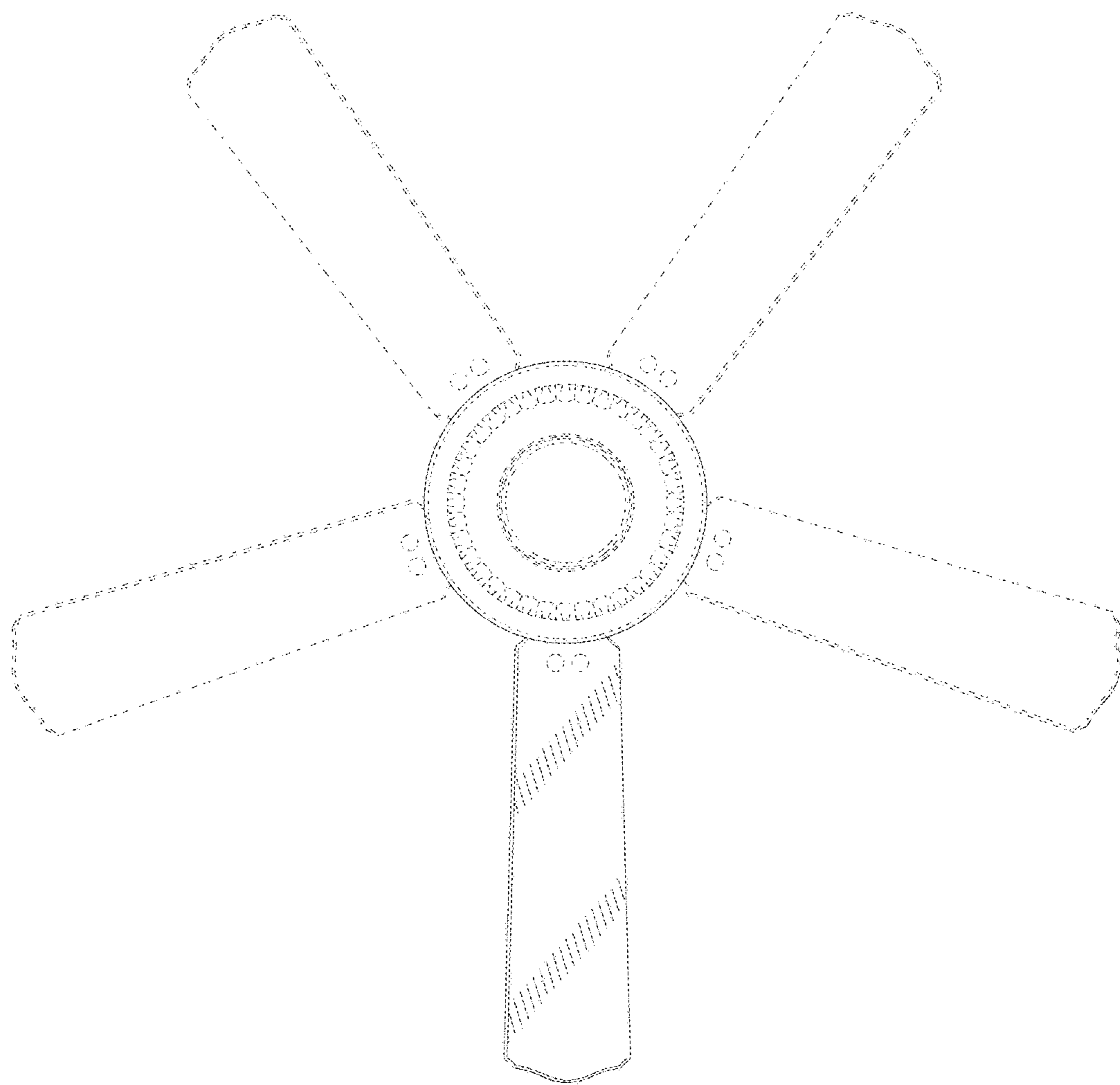


FIG. 3

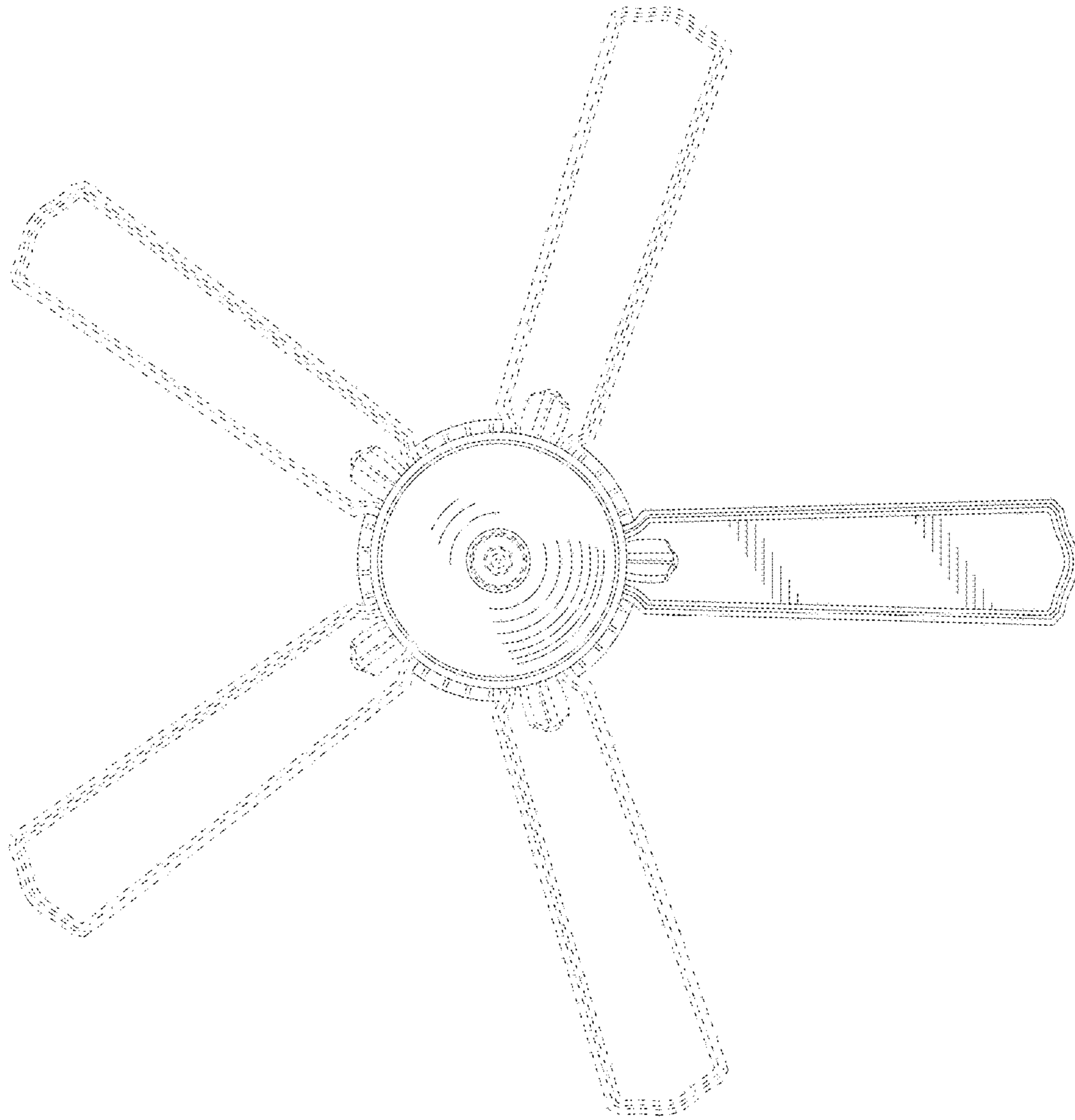


FIG. 4

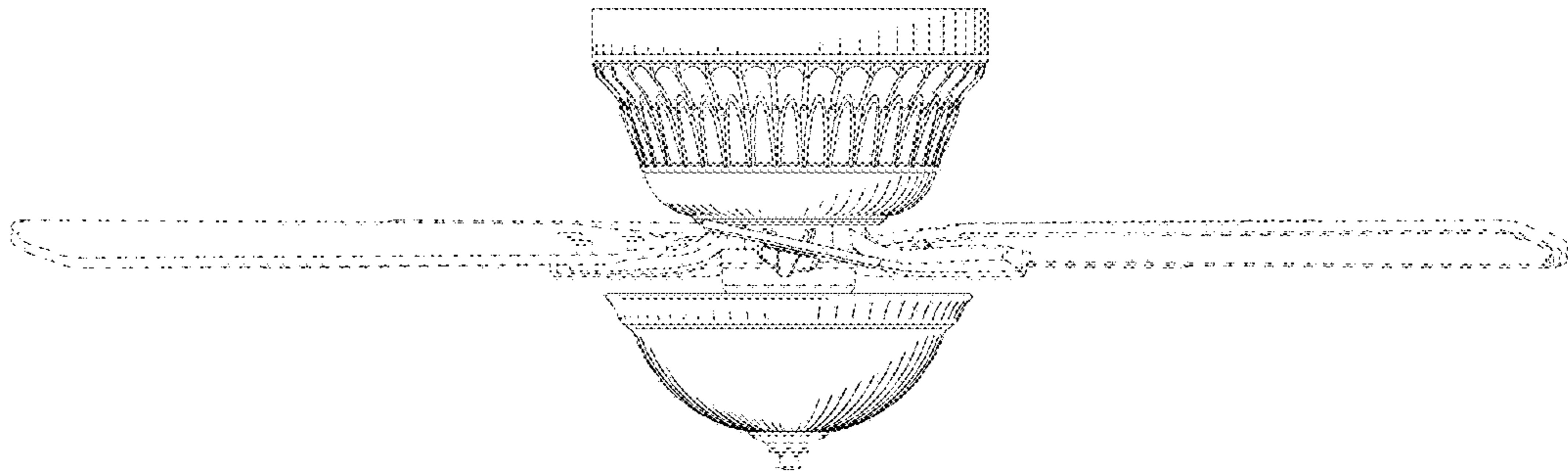


FIG. 5

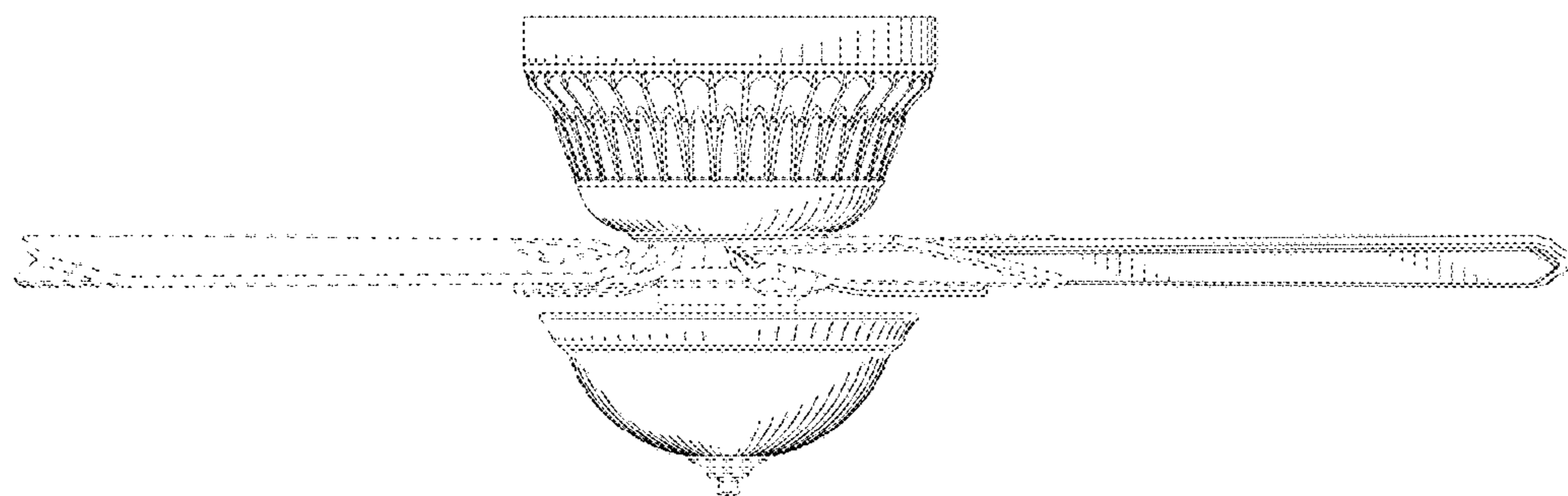


FIG. 6

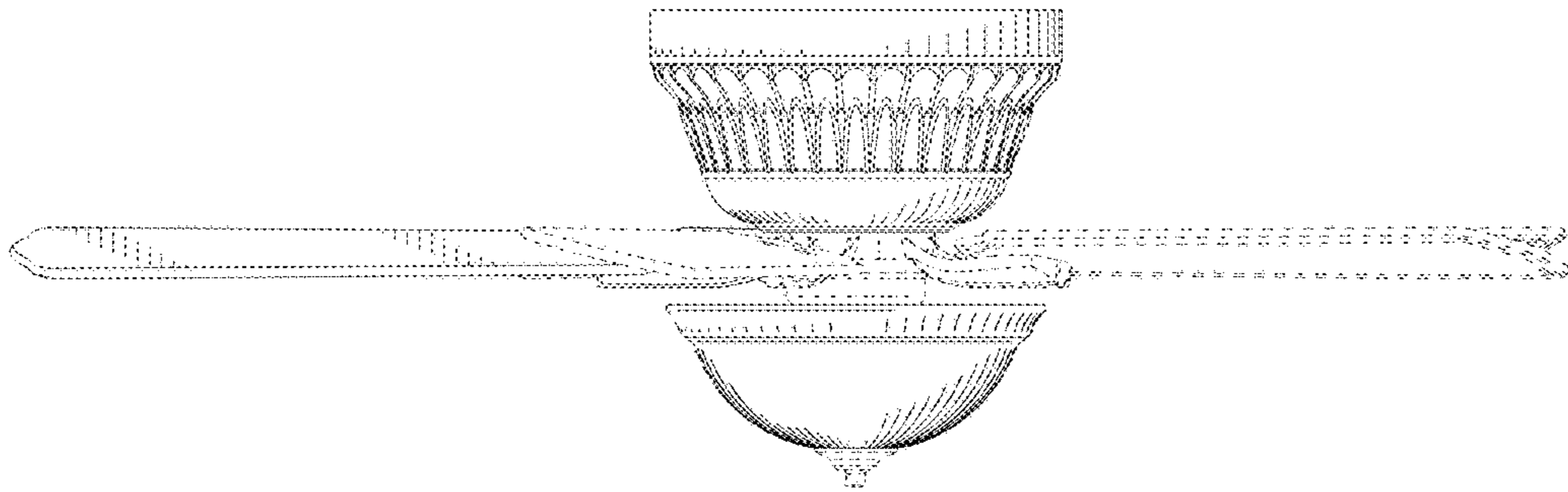


FIG. 7

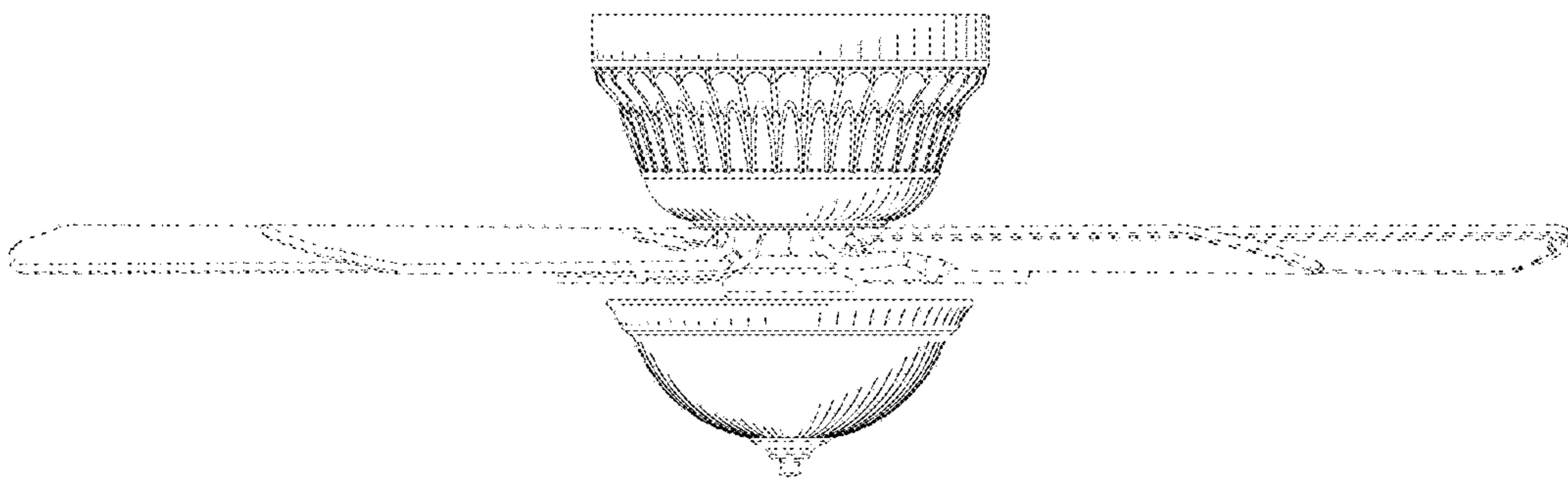


FIG. 8