



US00D810915S

(12) **United States Design Patent**  
**Guthrie et al.**

(10) **Patent No.:** **US D810,915 S**

(45) **Date of Patent:** **\*\* Feb. 20, 2018**

(54) **CEILING FAN**

- (71) Applicant: **HUNTER FAN COMPANY**,  
Memphis, TN (US)
- (72) Inventors: **Benjamin Scotti Guthrie**,  
Germantown, TN (US); **Claire Bernice McRoberts**,  
Memphis, TN (US)
- (73) Assignee: **Hunter Fan Company**, Memphis, TN  
(US)

(\*\*) Term: **15 Years**

(21) Appl. No.: **29/558,568**

(22) Filed: **Mar. 18, 2016**

(51) **LOC (11) Cl.** ..... **23-04**

(52) **U.S. Cl.**  
USPC ..... **D23/377**; D26/59

(58) **Field of Classification Search**  
USPC ..... D23/355, 370–376, 378–387, 412, 414,  
D23/377, 411, 413; D26/59; D12/214  
CPC ..... F04D 25/088; F21V 33/0096  
See application file for complete search history.

(56) **References Cited**

**U.S. PATENT DOCUMENTS**

4,073,598	A *	2/1978	Mizutani	.....	F04D 25/0613 416/170 R
4,592,702	A *	6/1986	Bogage	.....	F04D 25/088 310/89
D314,618	S *	2/1991	Yen	.....	D23/377
D341,419	S	11/1993	Taylor, III		
D344,130	S	2/1994	Craig		
D346,858	S *	5/1994	Lee	.....	D23/377
D350,622	S *	9/1994	Gruber	.....	D26/88
D393,902	S	4/1998	Pickett		
D397,419	S	8/1998	Tsuji et al.		
D399,555	S	10/1998	Jack et al.		
D421,113	S *	2/2000	Zuege	.....	D23/377

(Continued)

**OTHER PUBLICATIONS**

Canarm LTD Calibre BPT 48 Frosted Glass 1 Bulb Light Kit, date first available Jul. 10, 2009, amazon.com, site visited Jun. 1, 2017, Copyright © 1994-2017, Available from Internet, <https://www.amazon.com/dp/B002EVPNWI/ref=psdc\_404433011\_t3\_B0045CVL6G>.\*

(Continued)

*Primary Examiner* — Cathron C Brooks

*Assistant Examiner* — Sharon S Oum

(74) *Attorney, Agent, or Firm* — McGarry Bair PC

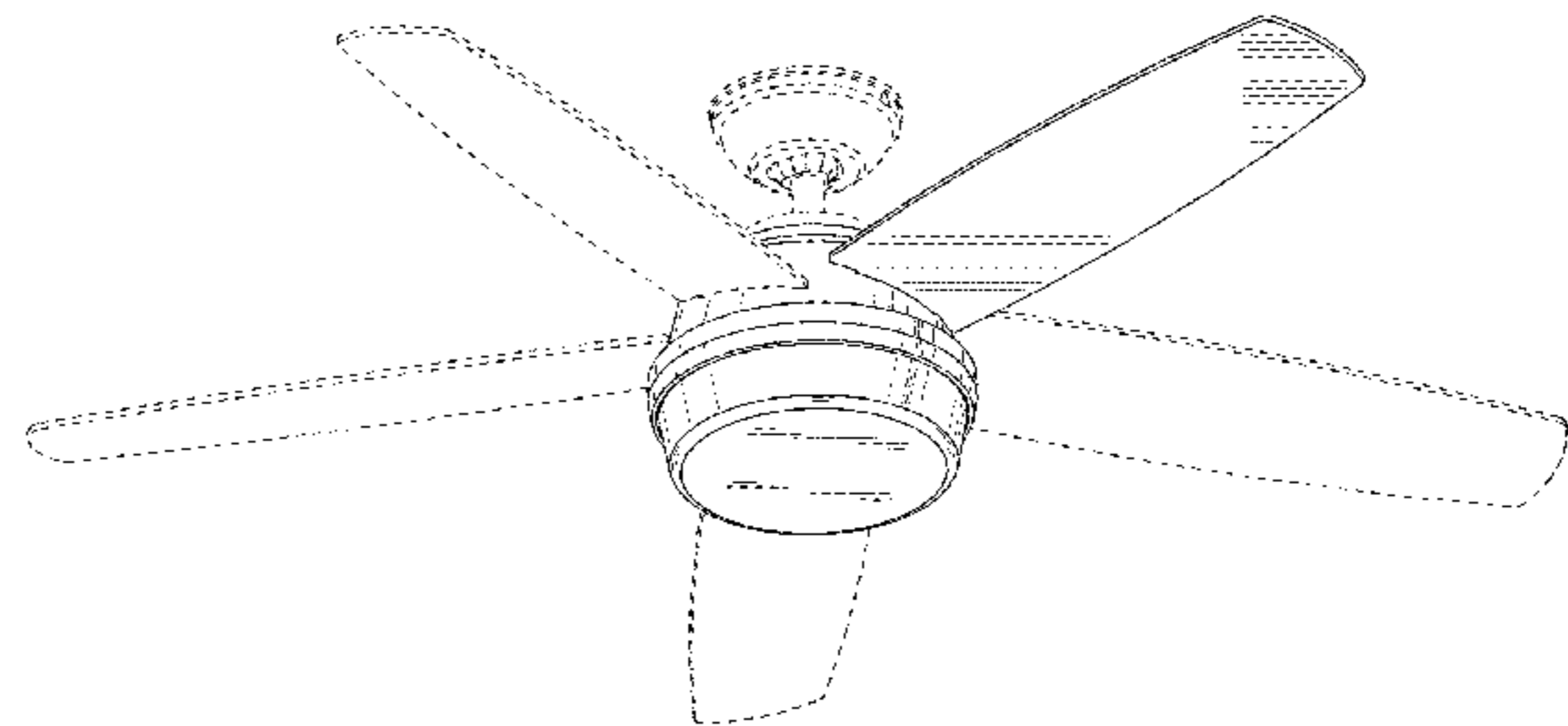
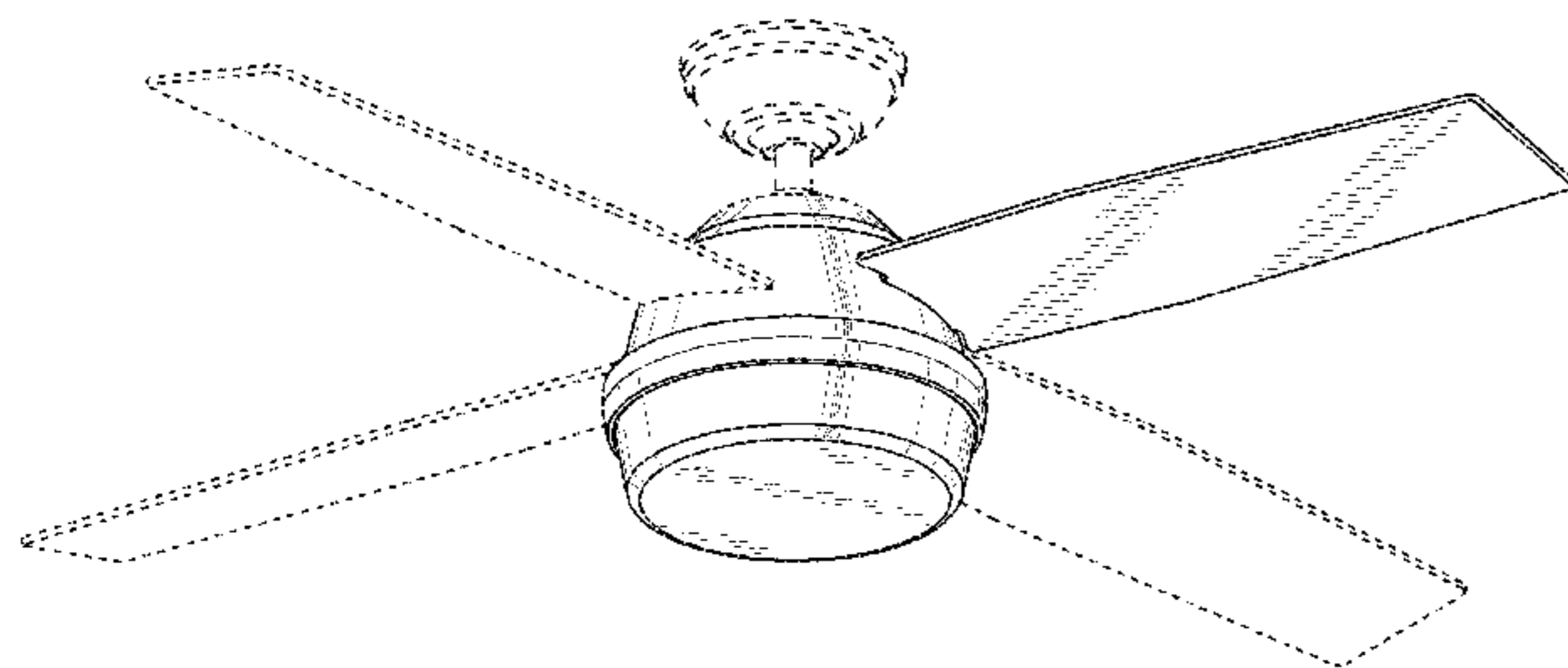
(57) **CLAIM**

The ornamental design for a ceiling fan, as shown and described.

**DESCRIPTION**

FIG. 1 is a top perspective view of a ceiling fan according to a first embodiment of the invention;  
 FIG. 2 is a bottom perspective view of the ceiling fan of FIG. 1;  
 FIG. 3 is a top view of the ceiling fan of FIG. 1;  
 FIG. 4 is a bottom view of the ceiling fan of FIG. 1;  
 FIG. 5 is a front side view of the ceiling fan of FIG. 1, with rear, right, and left side views being mirror images thereof;  
 FIG. 6 is a top perspective view of a ceiling fan according to a second embodiment of the invention;  
 FIG. 7 is a bottom perspective view of the ceiling fan of FIG. 6;  
 FIG. 8 is a top view of the ceiling fan of FIG. 6;  
 FIG. 9 is a bottom view of the ceiling fan of FIG. 6;  
 FIG. 10 is a front side view of the ceiling fan of FIG. 6;  
 FIG. 11 is a right side view of the ceiling fan of FIG. 6;  
 FIG. 12 is a rear side view of the ceiling fan of FIG. 6; and,  
 FIG. 13 is a left side view of the ceiling fan of FIG. 6.  
 Portions of the ceiling fan shown in broken lines form no part of the claimed design.

**1 Claim, 13 Drawing Sheets**





(56)

References Cited

U.S. PATENT DOCUMENTS

D453,216	S *	1/2002	Gajewski	.....	D23/377
D483,847	S	12/2003	Tai		
D488,554	S *	4/2004	Bacon	.....	D23/411
D495,411	S	8/2004	Chen		
D517,676	S	3/2006	Young		
7,210,910	B1 *	5/2007	Parker	.....	F04D 25/088 416/223 R
D583,040	S	12/2008	Hidalgo		
D599,473	S	9/2009	Klausing et al.		
D599,474	S	9/2009	Klausing et al.		
D601,240	S	9/2009	Klausing et al.		
D621,024	S	8/2010	Orozco		
D627,456	S *	11/2010	Glasbrenner	.....	D23/411
D627,873	S *	11/2010	Pan	.....	D23/411
D627,874	S *	11/2010	Pan	.....	D23/411
D628,687	S	12/2010	Yao		
D628,688	S *	12/2010	Pan	.....	D23/377
D632,381	S *	2/2011	Davenport	.....	D23/377
D705,970	S *	5/2014	Ertze	.....	D26/59
D707,336	S *	6/2014	Pan	.....	D23/377
D743,528	S	11/2015	Wang		
D751,187	S *	3/2016	Dolan	.....	D23/377
D759,799	S *	6/2016	Wang	.....	D23/385
D795,410	S *	8/2017	Holmes	.....	D23/377
2015/0078906	A1 *	3/2015	Wang	.....	F04D 25/088 416/219 R

OTHER PUBLICATIONS

[http://www.build.com/kichler-300173/s918767?uid=23048828,gclid=CK-\\_otS3yssCFQUIaQodmzgBhg&source=gg-gba-pla\\_2304882\\_74817876919&s\\_kwid=AL!4215!3!74817876919!!!g!131951028559!](http://www.build.com/kichler-300173/s918767?uid=23048828,gclid=CK-_otS3yssCFQUIaQodmzgBhg&source=gg-gba-pla_2304882_74817876919&s_kwid=AL!4215!3!74817876919!!!g!131951028559!), Item Specification for The Kichler Starkk Model No. 300173SBK Satin Black Starkk 52" Indoor Ceiling Fan with 5 Blades—Includes Light Kit and 4½" Downrod, accessed Mar. 18, 2016.

<http://www.kingoffans.com/#/products/ceilingFans>, Item Specification for The King of Fans Windward Model No. 51565, accessed Mar. 18, 2016.

<http://www.craftmade.com/Craftmade-HE52SS5-Stainless-Steel-Ceiling-Fan.HTM>, Item Specification for The Craftmade Helios Product No. HE52SS5 Collection: Helios, accessed Mar. 18, 2016.

<http://www.fanimation.com/products/index.php/xeno.html>, Item Specification for The Fanimation Xeno Model No. FP6728, accessed Mar. 18, 2016.

<http://www.kingoffans.com/#/products/ceilingFans>, Item Specification for The King of Fans Corrado Model No. 51543 accessed Mar. 18, 2016.

<http://www.craftmade.com/Craftmade-MN44SS4-Stainless-Steel-Ceiling-Fan.HTM>, Item Specification for The Craftmade Montreal Product No. MN44SS4 Collection: Montreal Finish: Stainless Steel Finish, accessed Mar. 18, 2016.

<http://ceilingfans.emerson.com/shop/en/fan/fans-s-emerson-fans/fans-s-contemporary/luxe-eco-fan-p-cf550>, Item Specification for The Emerson Luxe Eco Model No. CF550DMORB, accessed Mar. 18, 2016.

<http://www.hunterfan.com/Ceiling-Fans/Windemere?ModelNumber=59039>, Item Specification for The Hunter Fan Windemere 54" Ceiling Fan Model No. 59039 Brushed Nickel Finish, accessed Mar. 18, 2016.

<http://www.hunterfan.com/Ceiling-Fans?PageNumber=14>, Item Specification for The Hunter Fan Eurus 54" Ceiling Fan Model No. 59054 Brushed Nickel Finish 3 Coffee Beech Veneer blades included, accessed Mar. 18, 2016.

<http://www.hunterfan.com/ceiling-fans/arvada>, Item Specification for The Hunter Fan Arvada 52" Ceiling Fan Model No. 59035 Brushed Nickel Finish 4 Chocolate blades included, accessed Mar. 18, 2016.

<http://www.hunterfan.com/Ceiling-Fans/Morelli?ModelNumber=59141>, Item Specification for The Hunter Fan Morelli 52" Ceiling Fan Model No. 59141 Brushed Nickel Finish 3 Dark Oak Composite blades included, accessed Mar. 18, 2016.

<http://www.homedepot.com/p/Hampton-Bay-Northport-52-in-Brushed-Nickel-Ceiling-Fan-14926/202790687>, Item Specification for The Hampton Bay Northport Model # 14926 Internet # 202790687 Northport 52 in. Brushed Nickel Ceiling Fan, accessed Mar. 18, 2016.

<http://www.kingoffans.com/#/products/ceilingFans>, Item Specification for The King of Fans Argenta Model No. 61615, accessed Mar. 18, 2016.

<http://www.amazon.com/Kichler-Lighting-310110MDW-Mediterranean-Integrated/dp/B00HHERZ3W>, Item Specification for The Kichler Porters Lake Fan Model No. 310110MDW Porters Lake 54-Inch Wet Location Ceiling Fan, Mediterranean Walnut, Finish with ABS Blades and Integrated Downlight, accessed Mar. 18, 2016.

<http://www.quoruminternational.com/index.cfm/app/productDetail?product=20543-965>, Item Specification for The Quorum Interational Model No. 20543-965, accessed Mar. 18, 2016.

<http://www.homedepot.com/p/GE-Treviso-52-in-Oil-Rubbed-Bronze-Indoor-LED-Ceiling-Fan-20321/206087472>, Item Specification for The GE Treviso Model # 20321 Internet # 206087472 Store SKU # 1001417222 Treviso 52 in. Oil Rubbed Bronze Indoor LED Ceiling Fan, accessed Mar. 18, 2016.

<http://www.kingoffans.com/#/products/ceilingFans>, Item Specification for The King of Fans Riverwalk Model No. 43247, accessed Mar. 18, 2016.

[http://ceilingfans.emerson.com/shop/en/fan/highrise-fan-p-cf430?cm\\_vc=8,testElementId=&experimentId](http://ceilingfans.emerson.com/shop/en/fan/highrise-fan-p-cf430?cm_vc=8,testElementId=&experimentId), Item Specification for The Emerson Highrise Model No. CF430ORB, accessed Mar. 18, 2016.

<http://www.kichler.com/products/product/climates-blade-set-371010.aspx>, Item Specification for The Kichler Climates Bade Model No. 371010, accessed Mar. 18, 2016.

<http://www.kichler.com/products/product/52-inch-vassar-ceiling-fan-ni-300175ni.aspx>, Item Specification for The Kichler Vassar Ceiling Fan 52 Inch Vassar Ceiling Fan NI Model No. 300175NI (Brushed Nickel), accessed Mar. 18, 2016.

[http://www.homeclick.com/minka-aire-f695-kafe-52-indoor-ceiling-fan-blades-included/p-642234.aspx?adpos=1t4&creative=94627198025&device=c&matchtype=b&network=g&gclid=CO2Xh\\_bkyssCFQepaQodUnMF9g](http://www.homeclick.com/minka-aire-f695-kafe-52-indoor-ceiling-fan-blades-included/p-642234.aspx?adpos=1t4&creative=94627198025&device=c&matchtype=b&network=g&gclid=CO2Xh_bkyssCFQepaQodUnMF9g), Item Specification for The Minka Aire Kafe F695-CC, accessed Mar. 18, 2016.

<http://www.kingoffans.com/#/products/ceilingFans>, Item Specification for The King of Fans Gazelle Model No. 51552, accessed Mar. 18, 2016.

[http://www.lowes.com/pd\\_652192-2120-35063\\_1z0vgaxZ1z140v4\\_?ProductId=50291923&pl=1](http://www.lowes.com/pd_652192-2120-35063_1z0vgaxZ1z140v4_?ProductId=50291923&pl=1), Item Specification for The Harbor Breeze Melamby 48-in Oil Rubbed Bronze Downrod Mount Indoor Ceiling Fan with Light Kit Item #: 352192 Model #: 35063, accessed Mar. 18, 2016.

<http://www.casablancafanco.com/Ceiling-Fans/Tribeca?ModelNumber=59498>, Item Specification for The Casablanca Tribeca Model 59498 Aged Steel 3 Grey Washed / River Timber Reversible Veneer Exclusive blades included, accessed Mar. 18, 2016.

<http://www.craftmade.com/Craftmade-ATA52ABZ5-Aged-Bronze-Brushed-Ceiling-Fan.HTM>, Item Specification for The Craftmade Atara Product No. ATA52ABZ5, accessed Mar. 18, 2016.

\* cited by examiner

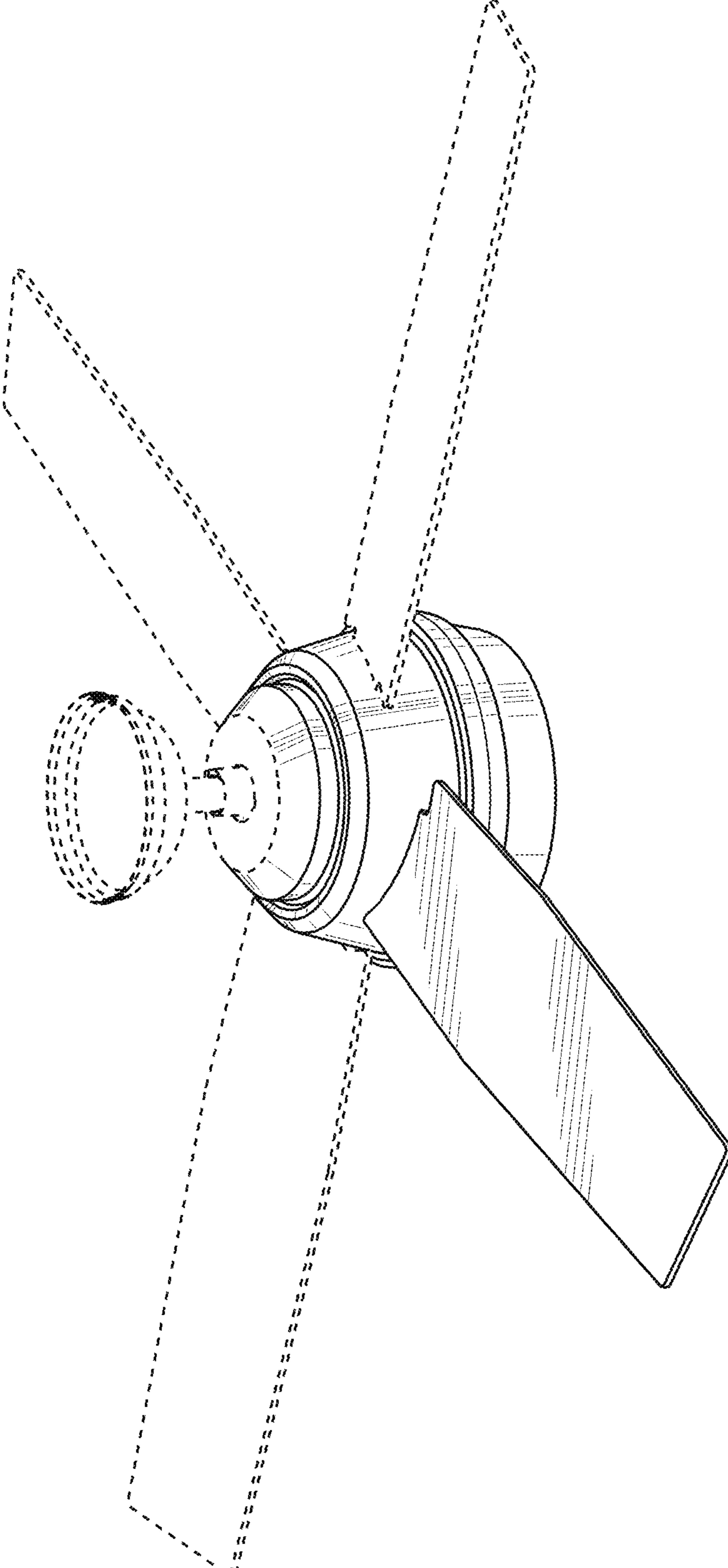


FIG. 1

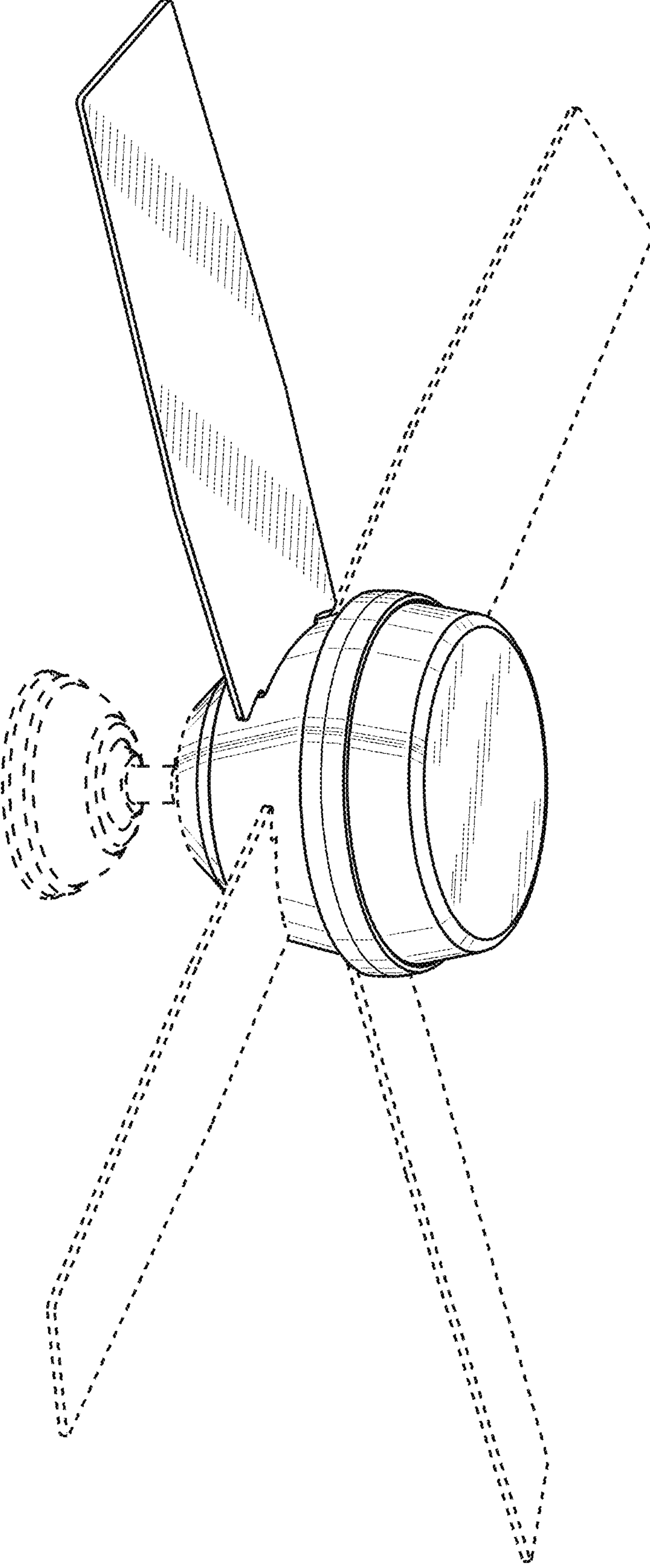


FIG. 2



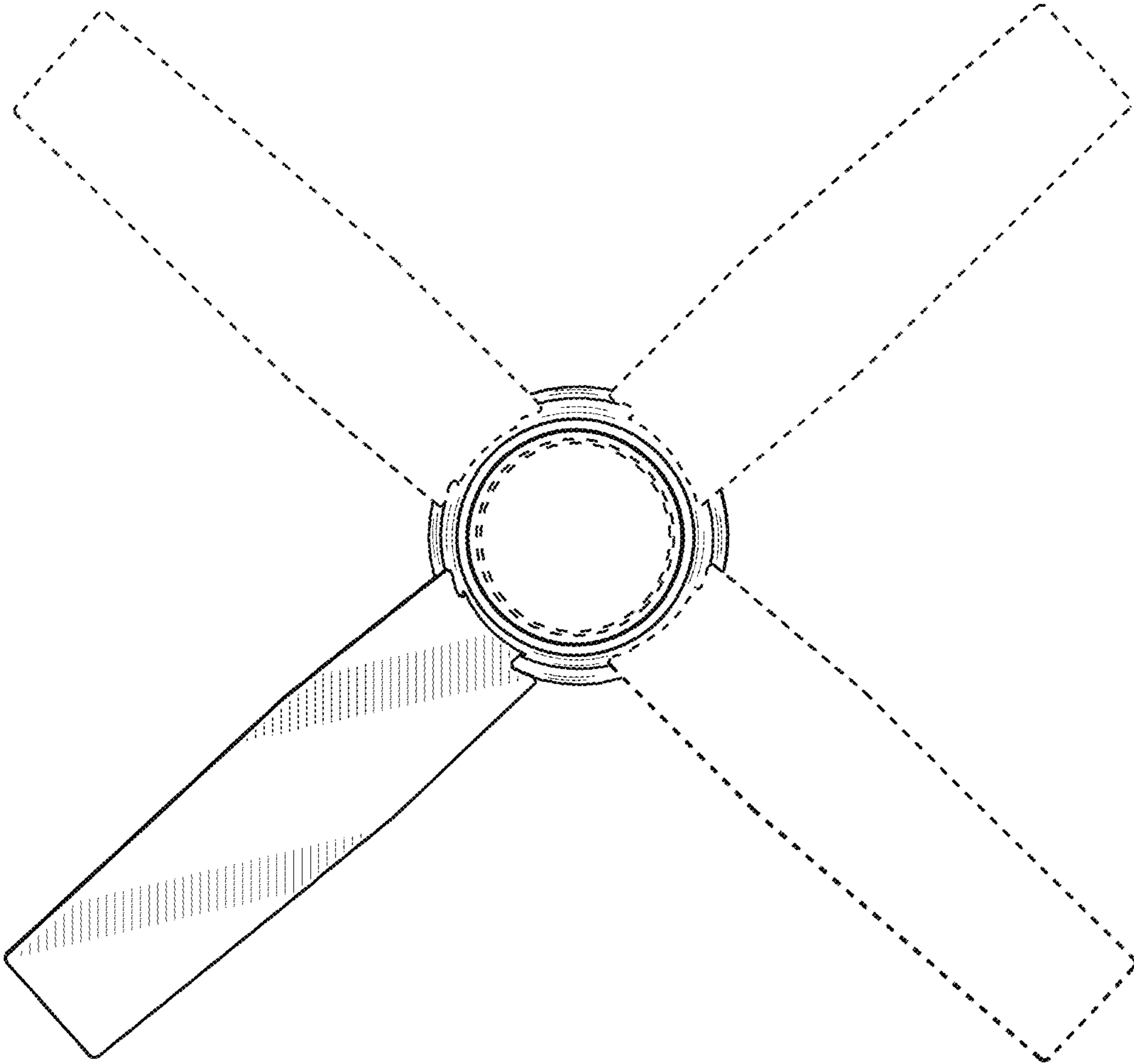


FIG. 3

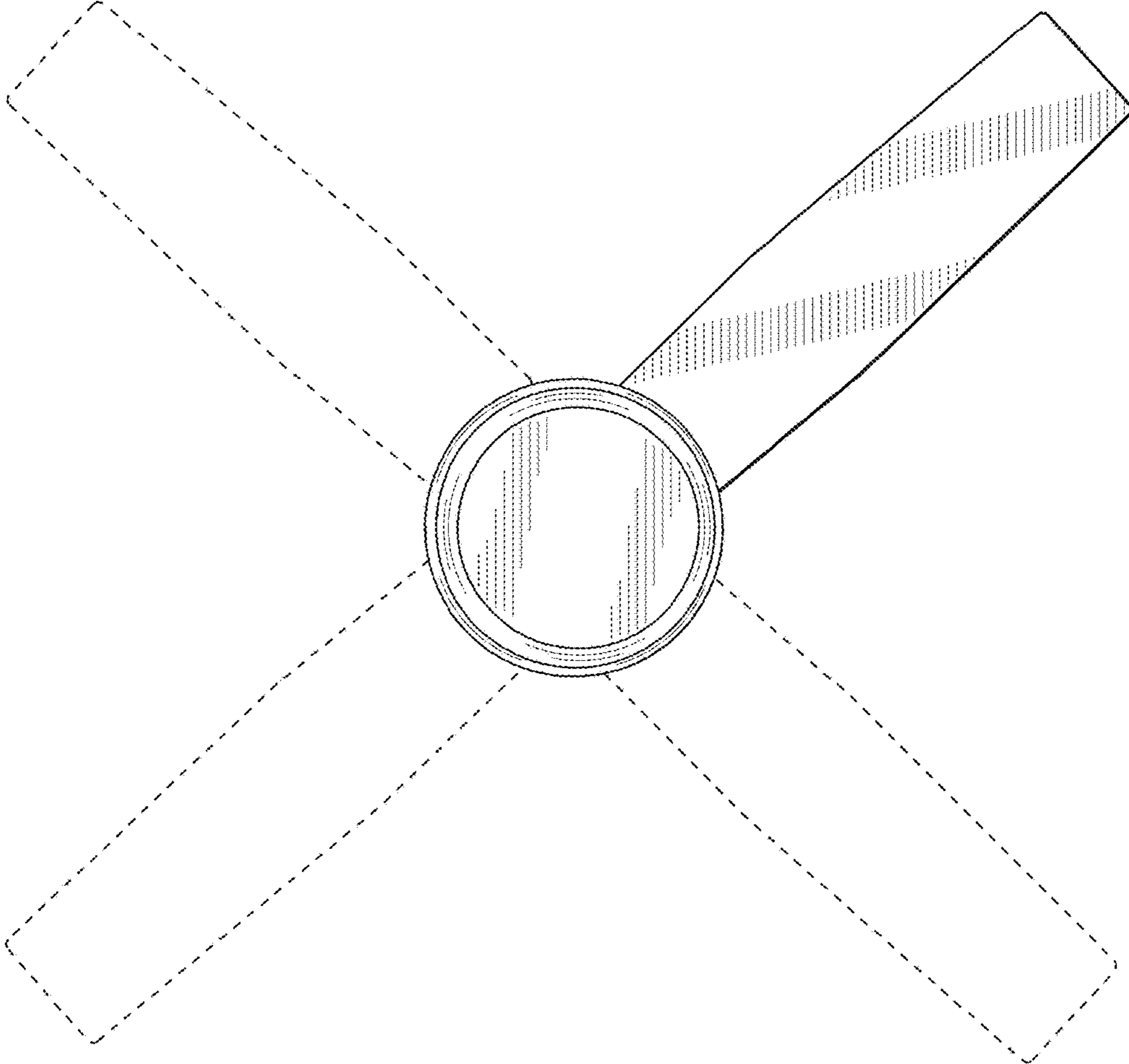


FIG. 4

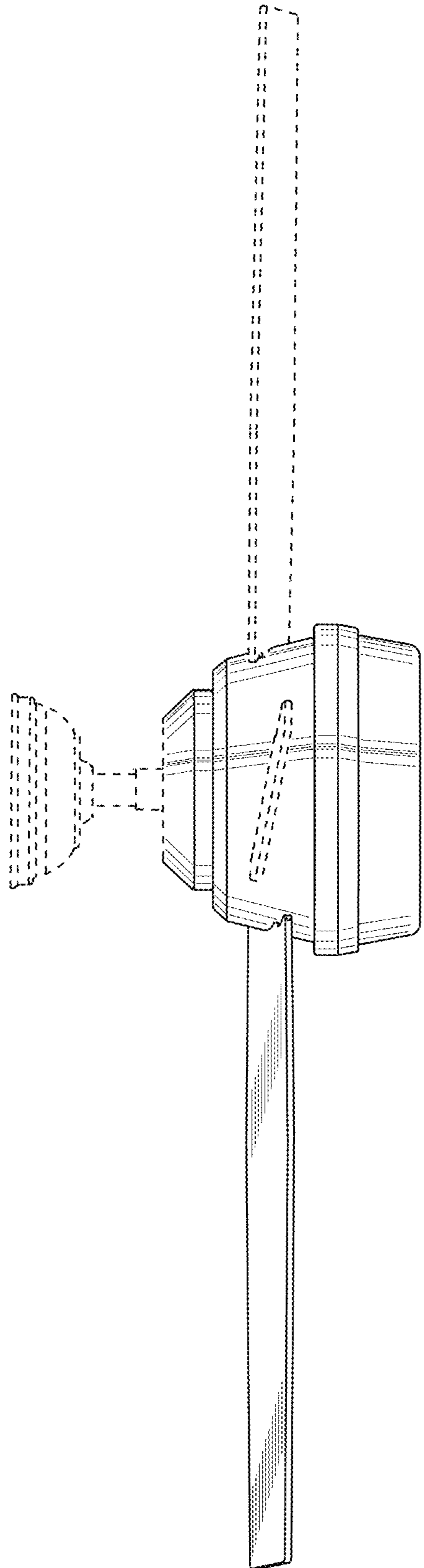


FIG. 5

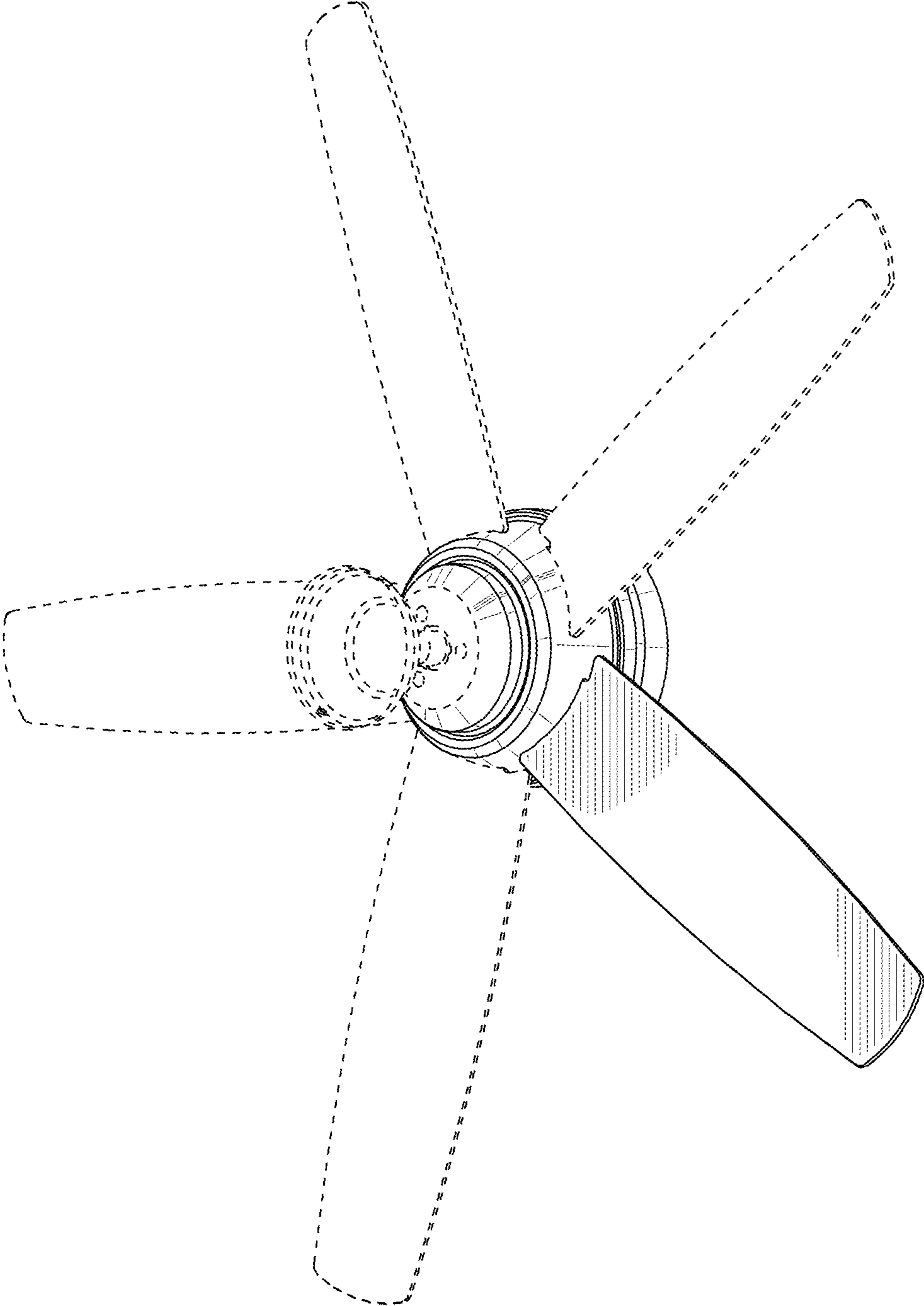


FIG. 6



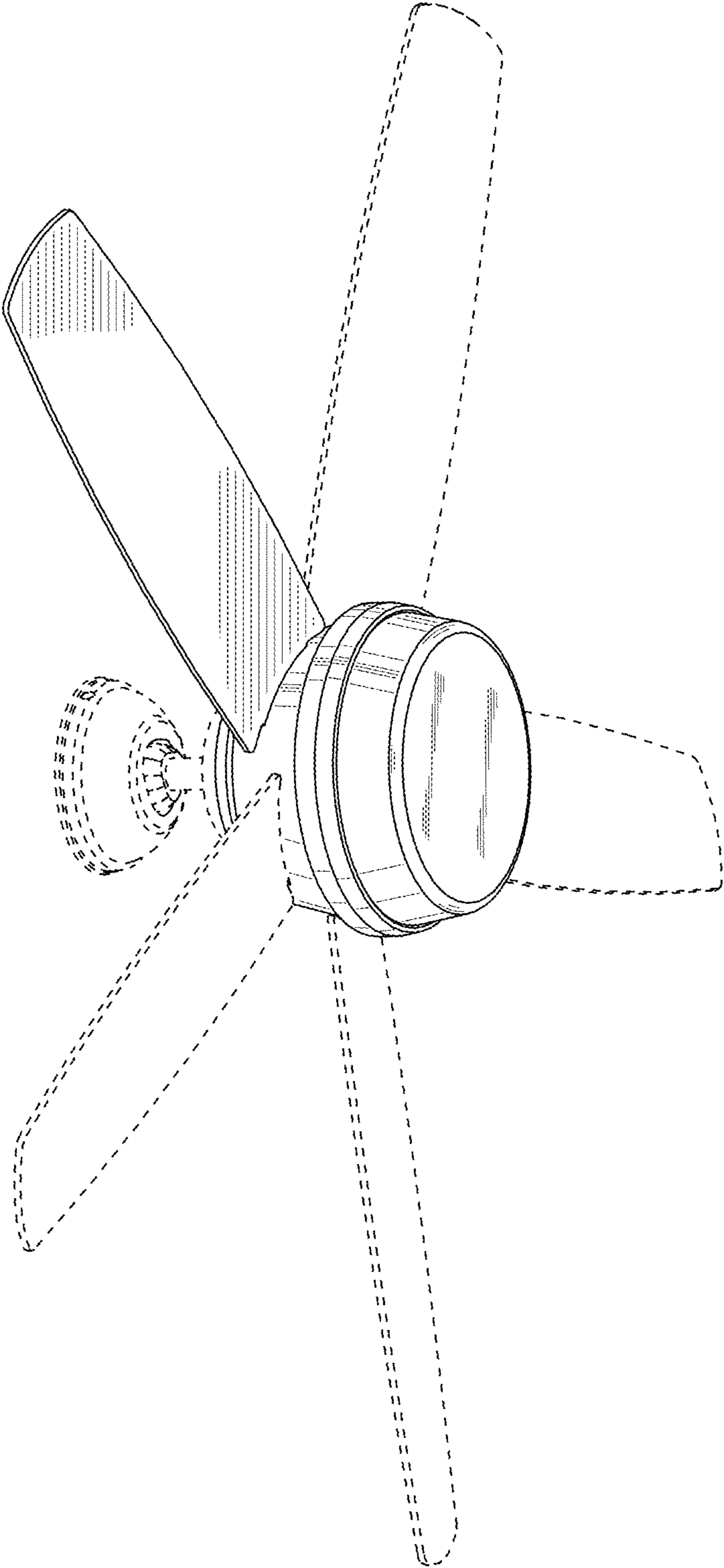


FIG. 7

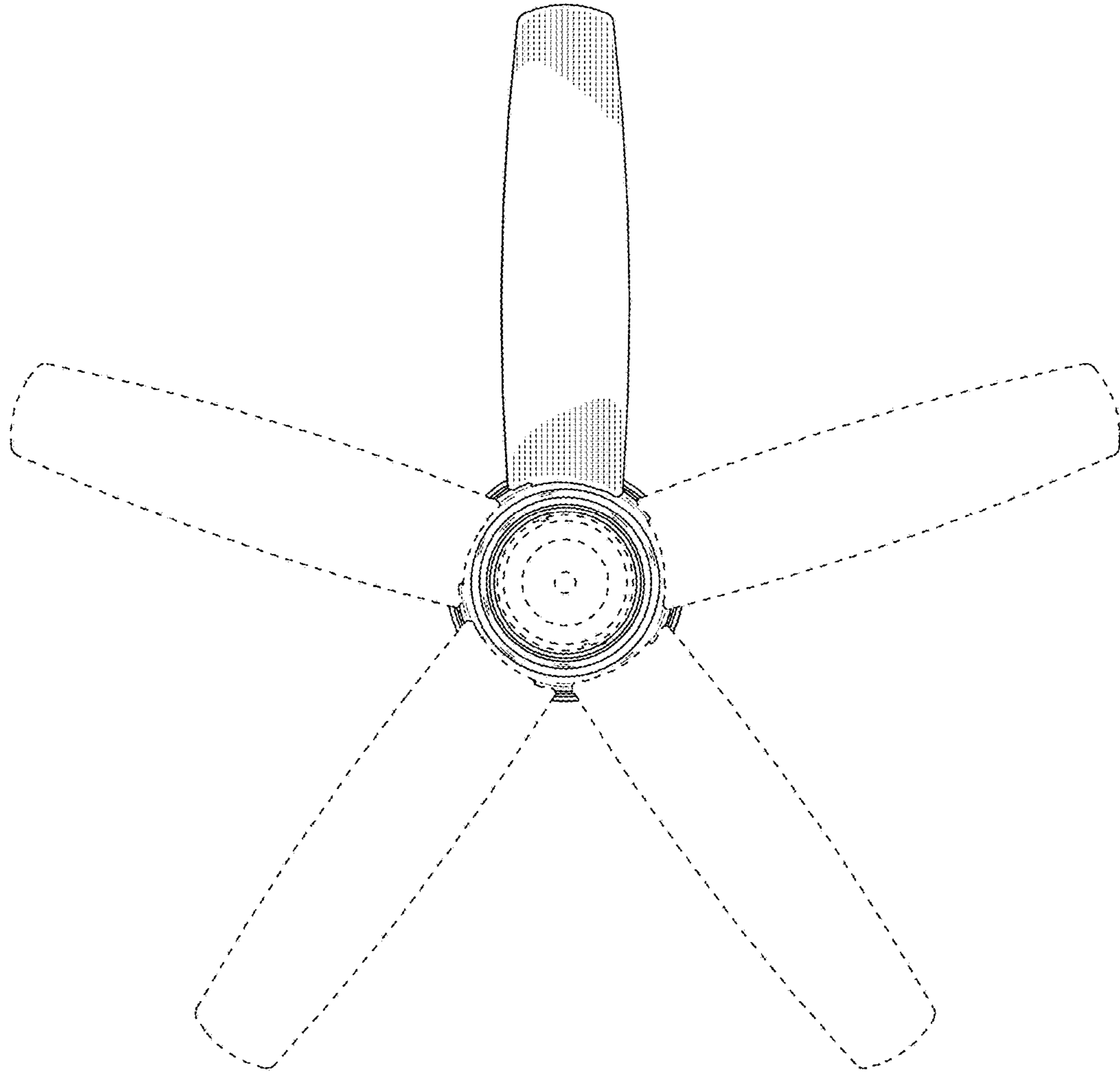


FIG. 8

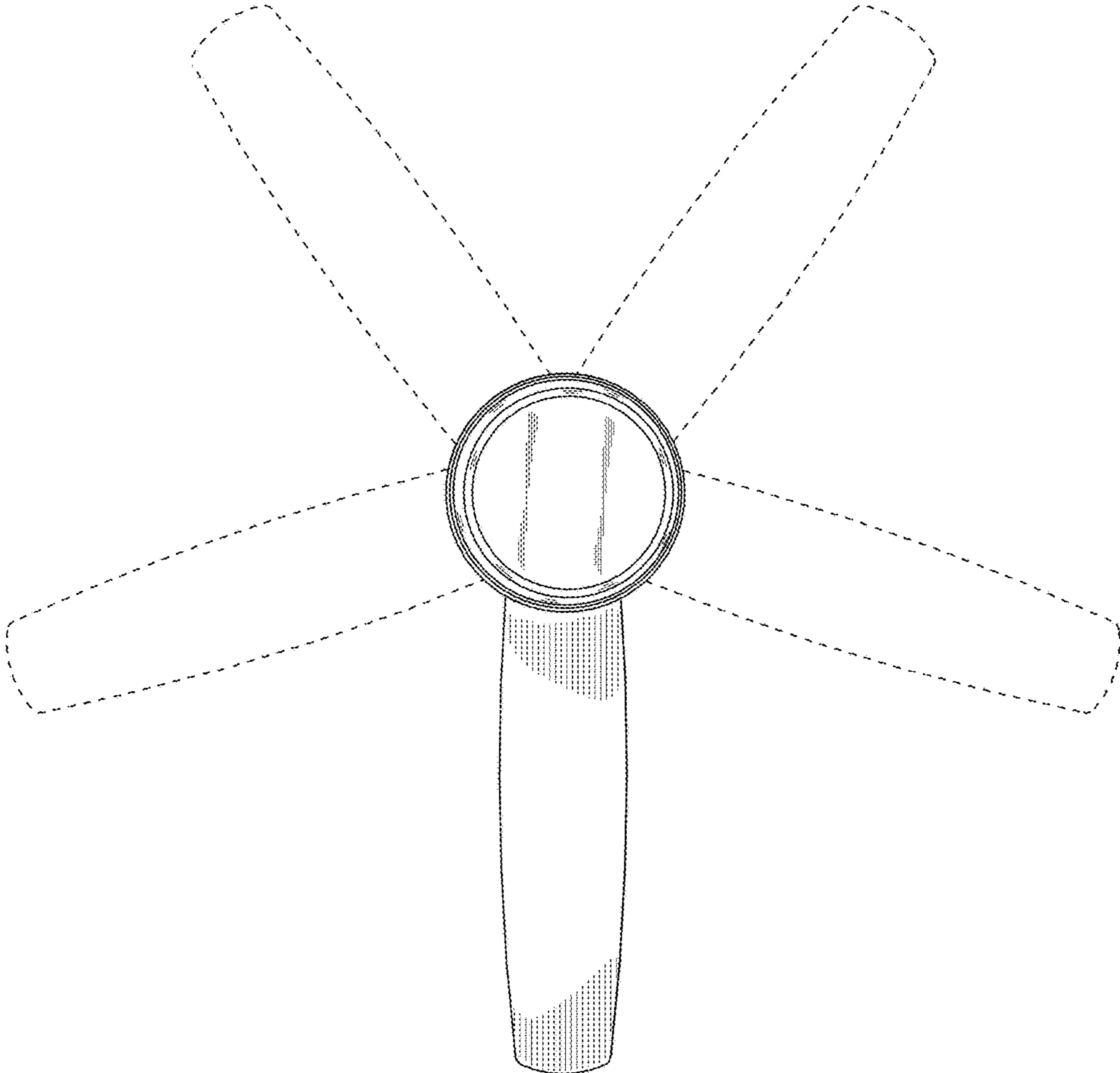


FIG. 9

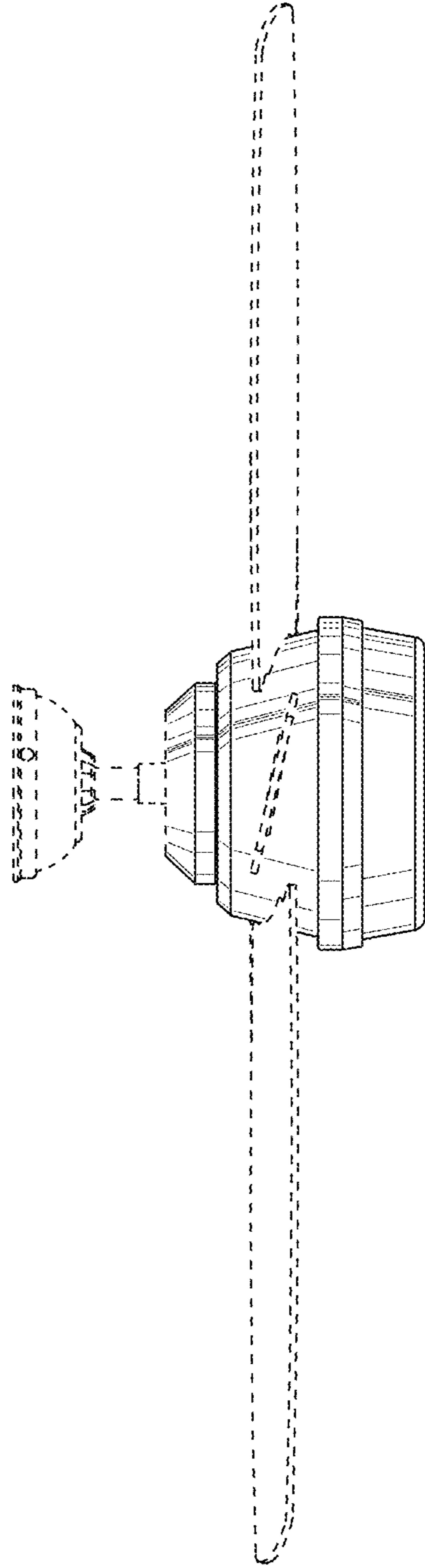


FIG. 10



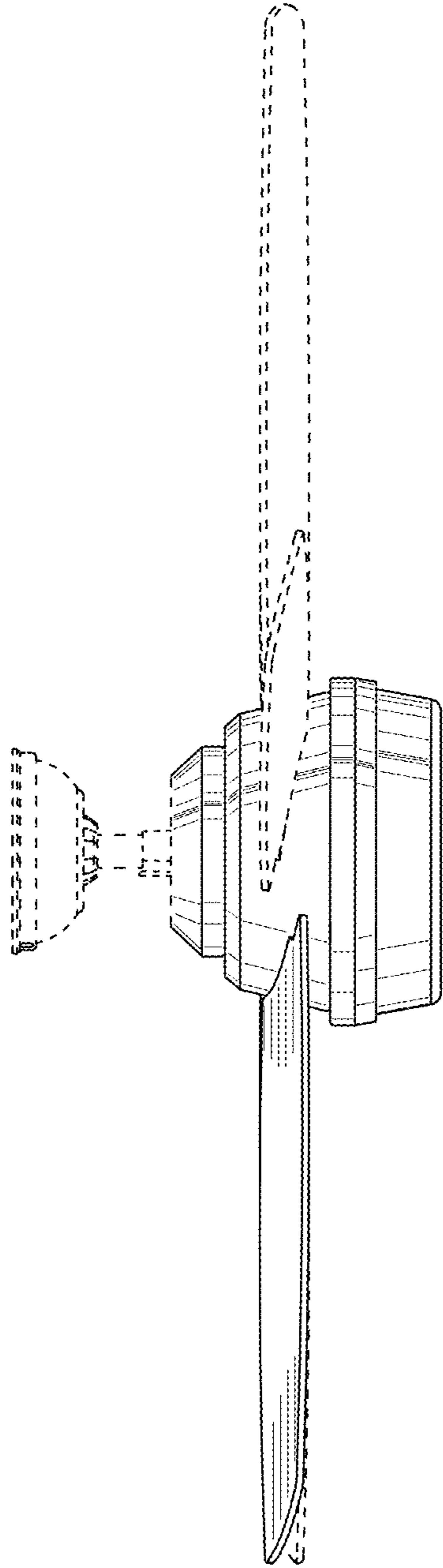


FIG. 11

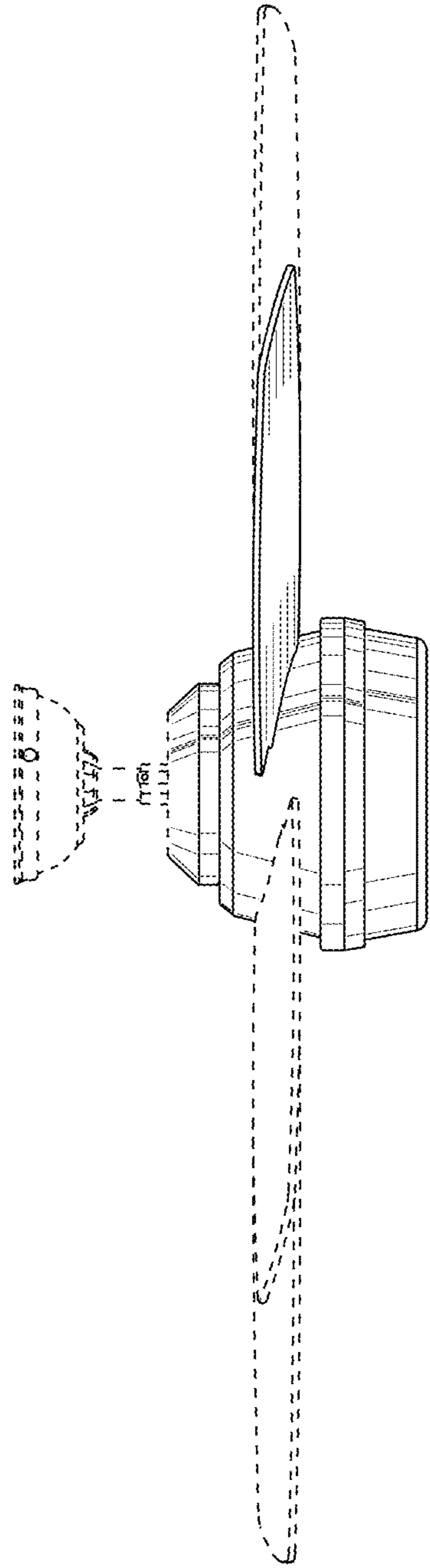


FIG. 12

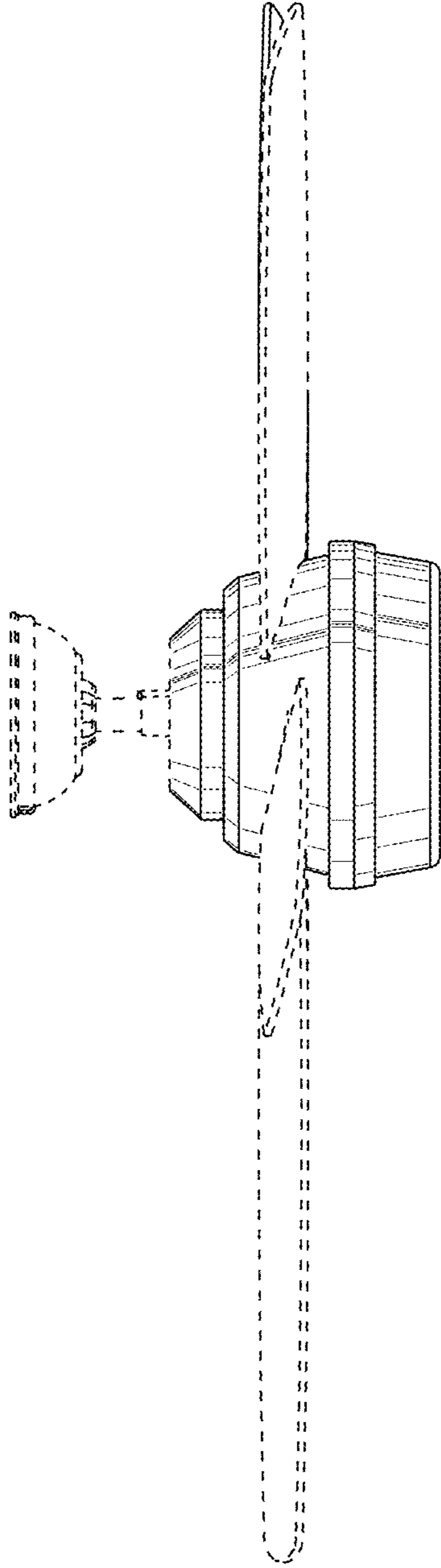


FIG. 13