



US00D810914S

(12) **United States Design Patent** (10) **Patent No.:** **US D810,914 S**
Badarello et al. (45) **Date of Patent:** **** Feb. 20, 2018**

(54) **CEILING FAN**
(71) Applicant: **HUNTER FAN COMPANY**,
Memphis, TN (US)
(72) Inventors: **Christophe Badarello**, Holly Springs,
MS (US); **Christine Holmes**, Memphis,
TN (US)
(73) Assignee: **Hunter Fan Company**, Memphis, TN
(US)
(**) Term: **15 Years**
(21) Appl. No.: **29/557,294**
(22) Filed: **Mar. 8, 2016**
(51) **LOC (11) Cl.** **23-04**
(52) **U.S. Cl.**
USPC **D23/377**; D26/59
(58) **Field of Classification Search**
USPC D23/355, 370-376, 378, 380-384,
D23/386-387, 412, 414, 377, 379, 385,
D23/411, 413; D26/59; D12/214
CPC F04D 25/088; F21V 33/0096
See application file for complete search history.

D627,871 S 11/2010 Shurtleff
D628,286 S * 11/2010 Yang D23/411
D643,105 S * 8/2011 Orozco D23/377
D671,202 S 11/2012 Searle
D671,631 S 11/2012 Searle
D706,917 S * 6/2014 Cohen D23/377
D707,807 S 6/2014 Pan
(Continued)

OTHER PUBLICATIONS

Casablanca 55007, Ainsworth Gallery Basque Black 60" Ceiling Fan w Light & Wall Ctrl, date first available Oct. 18, 2012, amazon.com, site visited Aug. 17, 2017, Copyright © 1996-2017, Available from Internet, https://www.amazon.com/Casablanca-55007-Ainsworth-Gallery-Included/dp/B00I1L9BXM/ref=sr_1_2?ie=UTF8&qid=15029828.*

(Continued)

Primary Examiner — Cathron C Brooks
Assistant Examiner — Sharon S Oum
(74) *Attorney, Agent, or Firm* — McGarry Gair PC

(57) **CLAIM**

The ornamental design for a ceiling fan, as shown and described.

DESCRIPTION

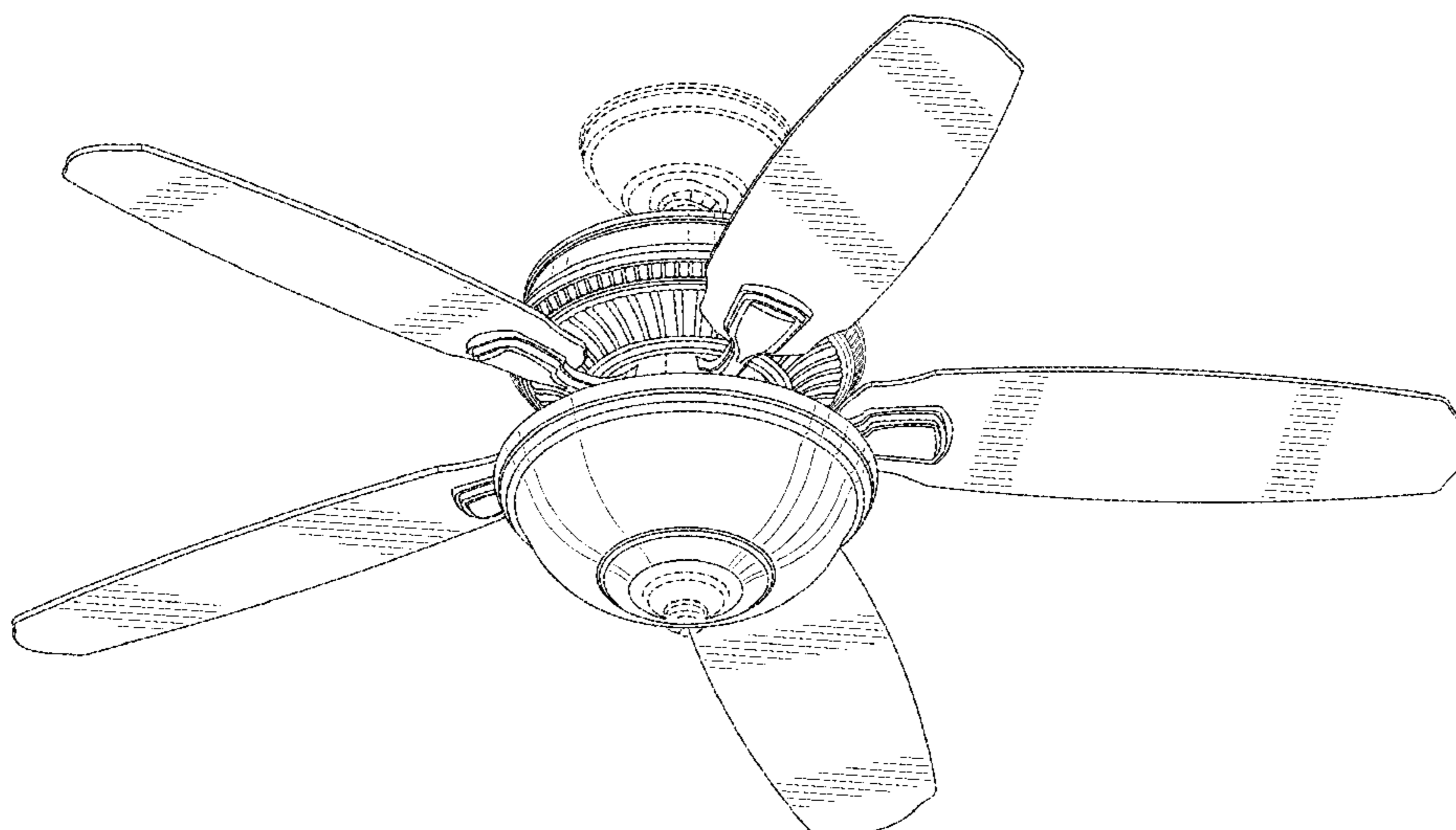
FIG. 1 is a bottom perspective view of a ceiling fan showing our new design;
FIG. 2 is a top perspective view of the ceiling fan of FIG. 1;
FIG. 3 is a front side view of the ceiling fan of FIG. 1;
FIG. 4 is a left side view of the ceiling fan of FIG. 1;
FIG. 5 is a rear side view of the ceiling fan of FIG. 1;
FIG. 6 is a right side view of the ceiling fan of FIG. 1;
FIG. 7 is a top view of the ceiling fan of FIG. 1; and,
FIG. 8 is a bottom view of the ceiling fan of FIG. 1.
Portions of the ceiling fan shown in broken lines form no part of the claimed design.

1 Claim, 6 Drawing Sheets

(56) **References Cited**

U.S. PATENT DOCUMENTS

4,640,668 A * 2/1987 Yang F04D 25/088
310/68 E
D346,651 S * 5/1994 DiPasquale D23/377
D346,859 S * 5/1994 DiPasquale D23/377
D366,111 S * 1/1996 DiPasquale D23/377
D435,901 S * 1/2001 Tsuji D23/411
D450,831 S 11/2001 Hsieh
D504,504 S 4/2005 Thomas, Jr.
D522,120 S * 5/2006 Hidalgo D23/377
D543,303 S 5/2007 Shurtleff
D573,242 S * 7/2008 Pan D23/377
D598,091 S * 8/2009 Orozco D23/377
D627,046 S * 11/2010 Wang D23/377



(56)

References Cited

U.S. PATENT DOCUMENTS

D715,919 S 10/2014 Pan
D743,526 S * 11/2015 Shurtleff D23/411

OTHER PUBLICATIONS

Hunter Fan Company 54091 Matheston 52-Inch Cottage White Ceiling Fan with Five Gray Pine Blades and a Light Kit, date first available Jul. 31, 2013, amazon.com, site visited Aug. 17, 2017, Copyright © 1996-2017, Available from Internet, https://www.amazon.com/Hunter-Fan-Company-54091-Matheston/dp/B00E96M2IE/ref=sr_1_1?s=h.*

<http://www.kingoffans.com/#/products/ceilingFans>, Item Specification for North Lake Ceiling Fan at kingoffans.com, SKU#1000022302, Model #51418, accessed Mar. 8, 2016.

<http://www.craftmade.com/Craftmade-CN52LB5-Legacy-Brass-Ceiling-Fan.HTM>, Item Specification for Craftmade-CN52LB5-Copeland 52" Ceiling Fan Blades Included in Legacy Brass with Amber Frost Glass at craftmade.com, accessed Mar. 8, 2016.

<http://www.homedepot.com/catalog/pdfImages/70/70d6cb82-63a2-4c36-a6b9-5f0602a852fa.pdf>, Use and Care Guide for Hampton Bay Rothley 52-Inch Ceiling Fan at homedepot.com, accessed Mar. 8, 2016.

<http://www.hunterfan.com/Ceiling-Fans/Ballantyne>, Item Specification for Ballantyne-52" Ceiling Fan 28670 at hunterfan.com, accessed Mar. 8, 2016.

<http://www.quoruminternational.com/index.cfm/app/productDetail?product=2389-9144>, Item Specification for Toasted Sienna Ligth Kit 2389-9144 at quoruminternational.com, accessed Mar. 8, 2016.

* cited by examiner

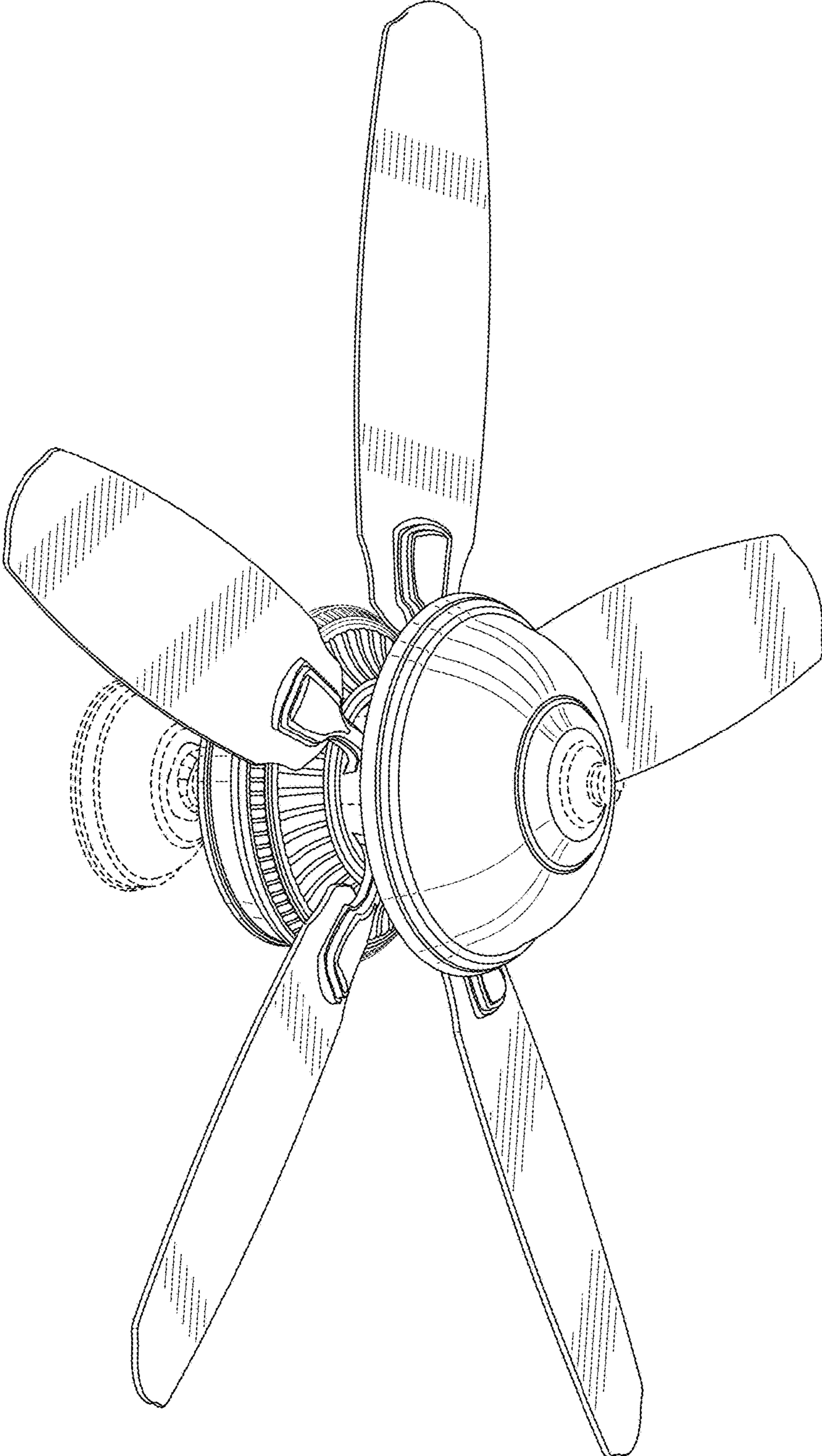


FIG. 1

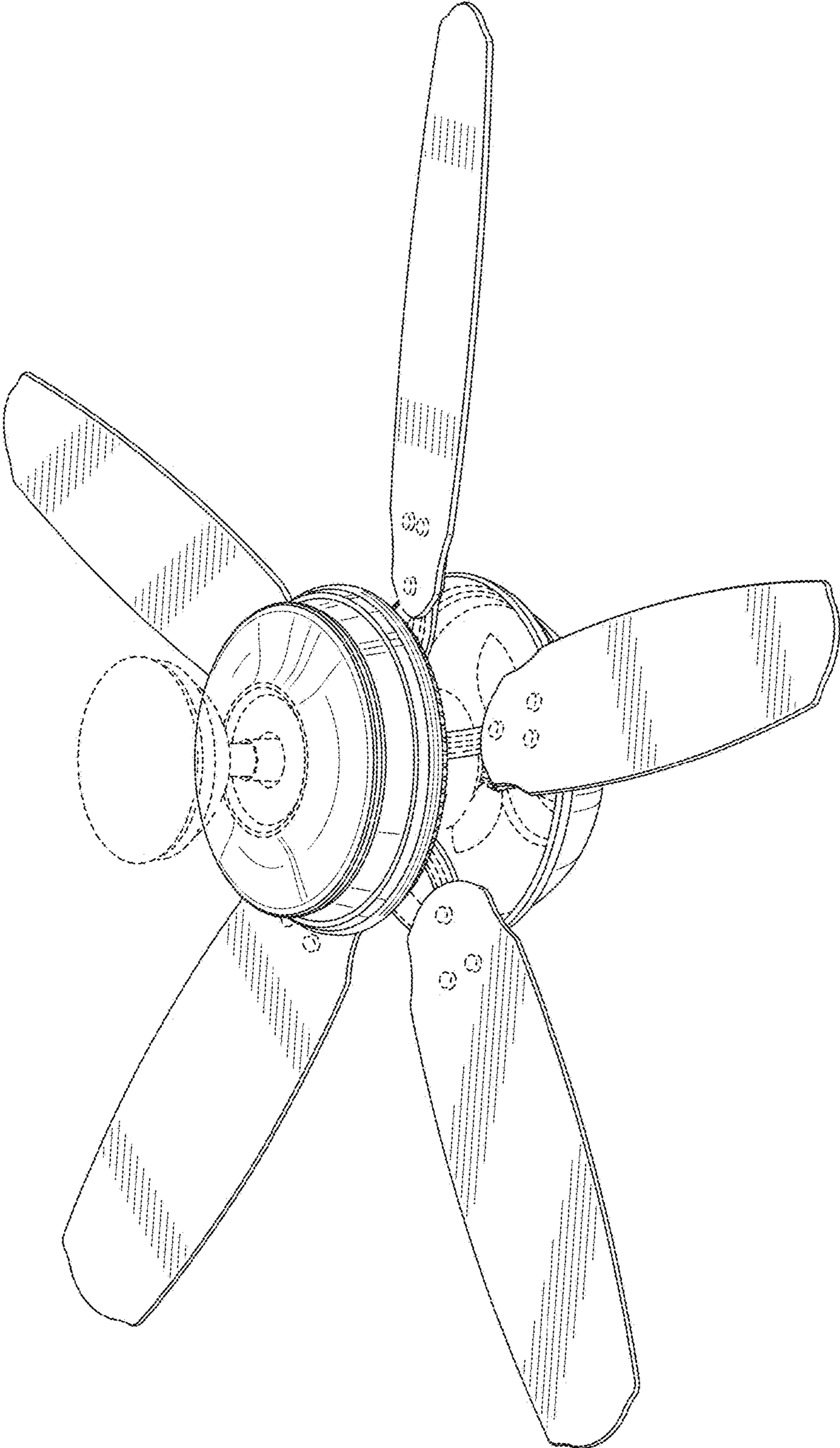


FIG. 2

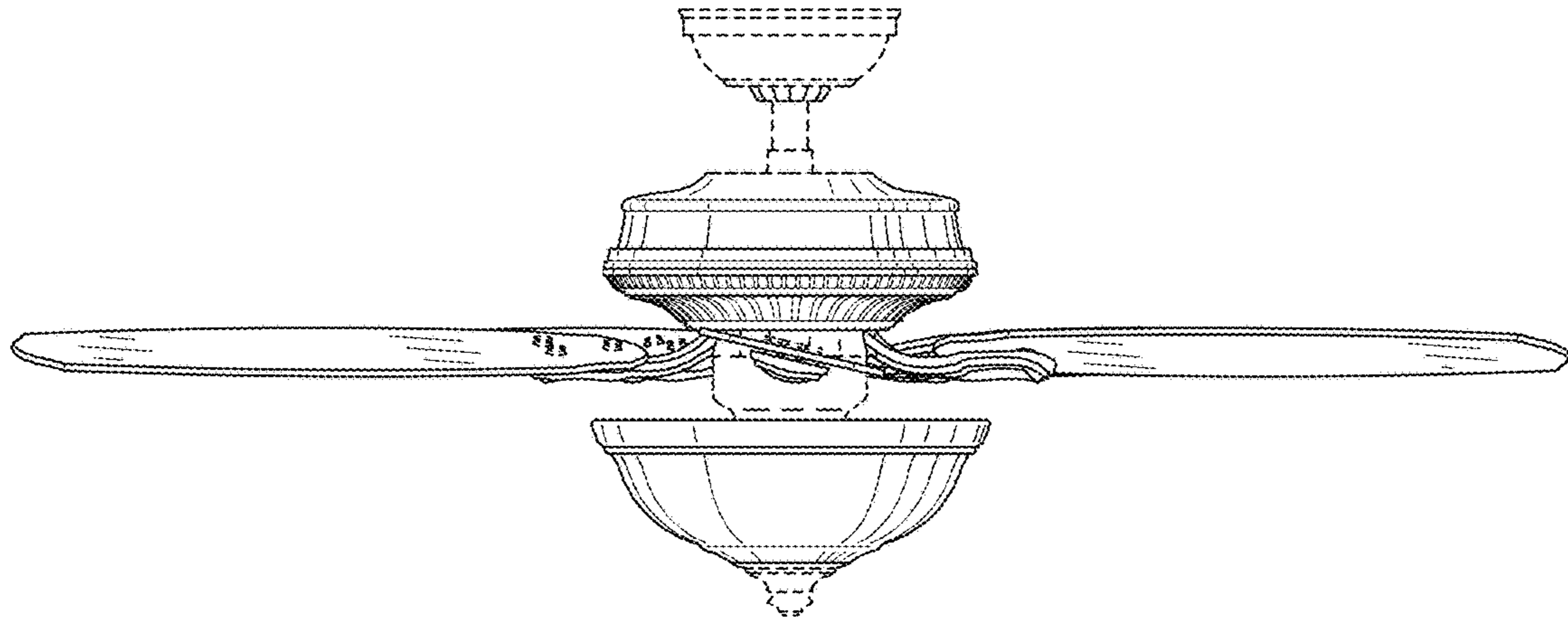


FIG. 3

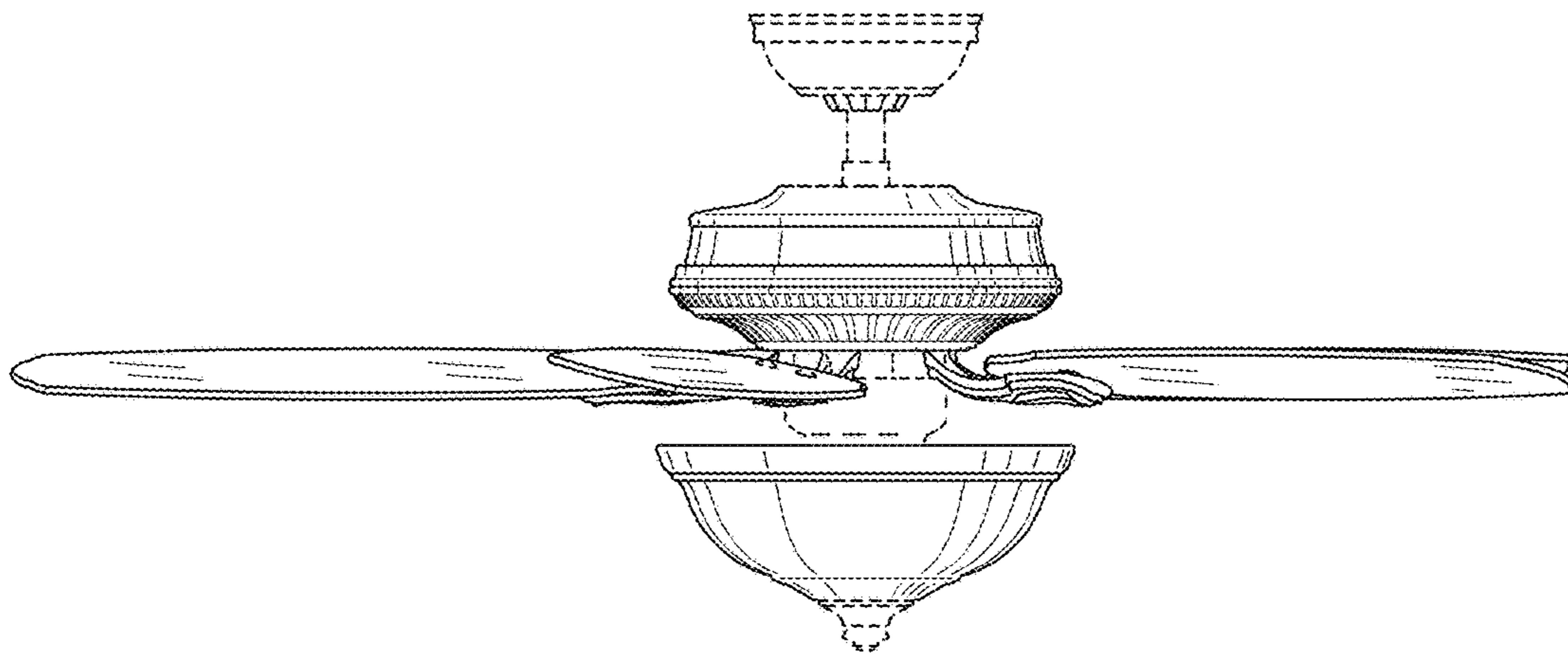


FIG. 4

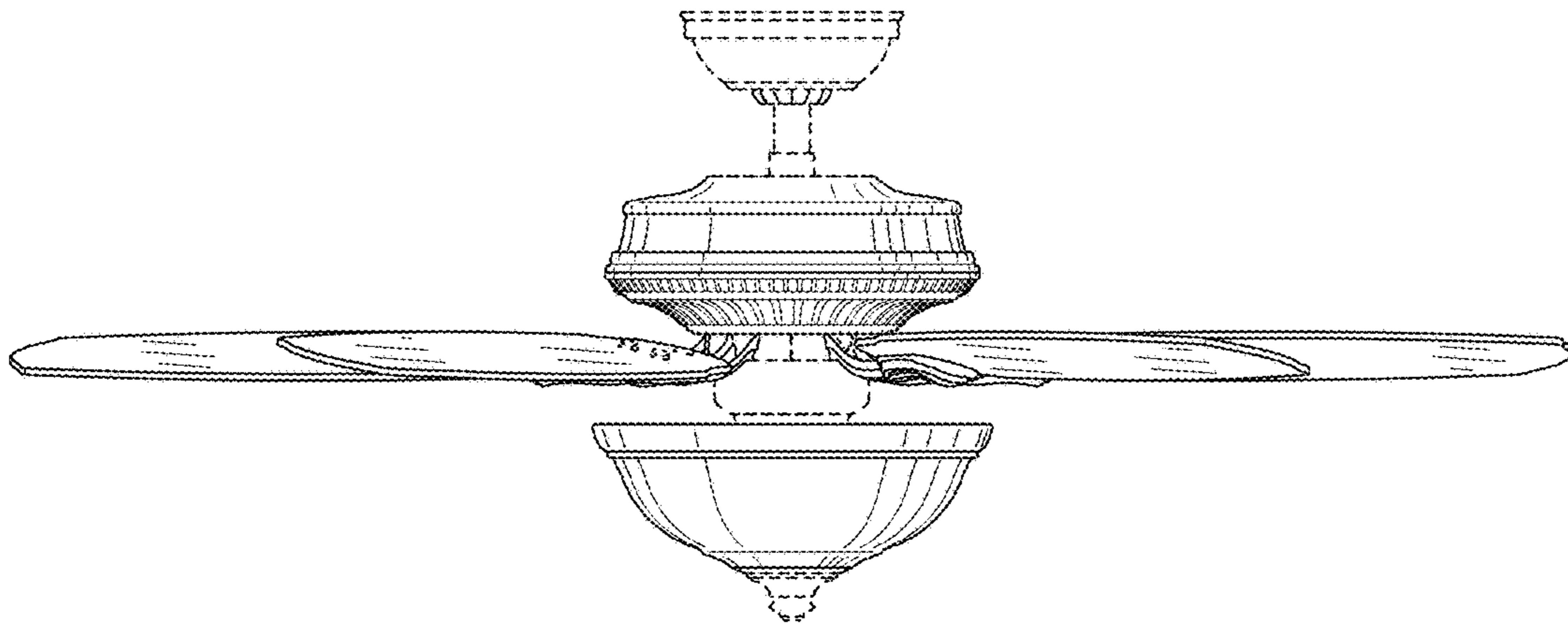


FIG. 5

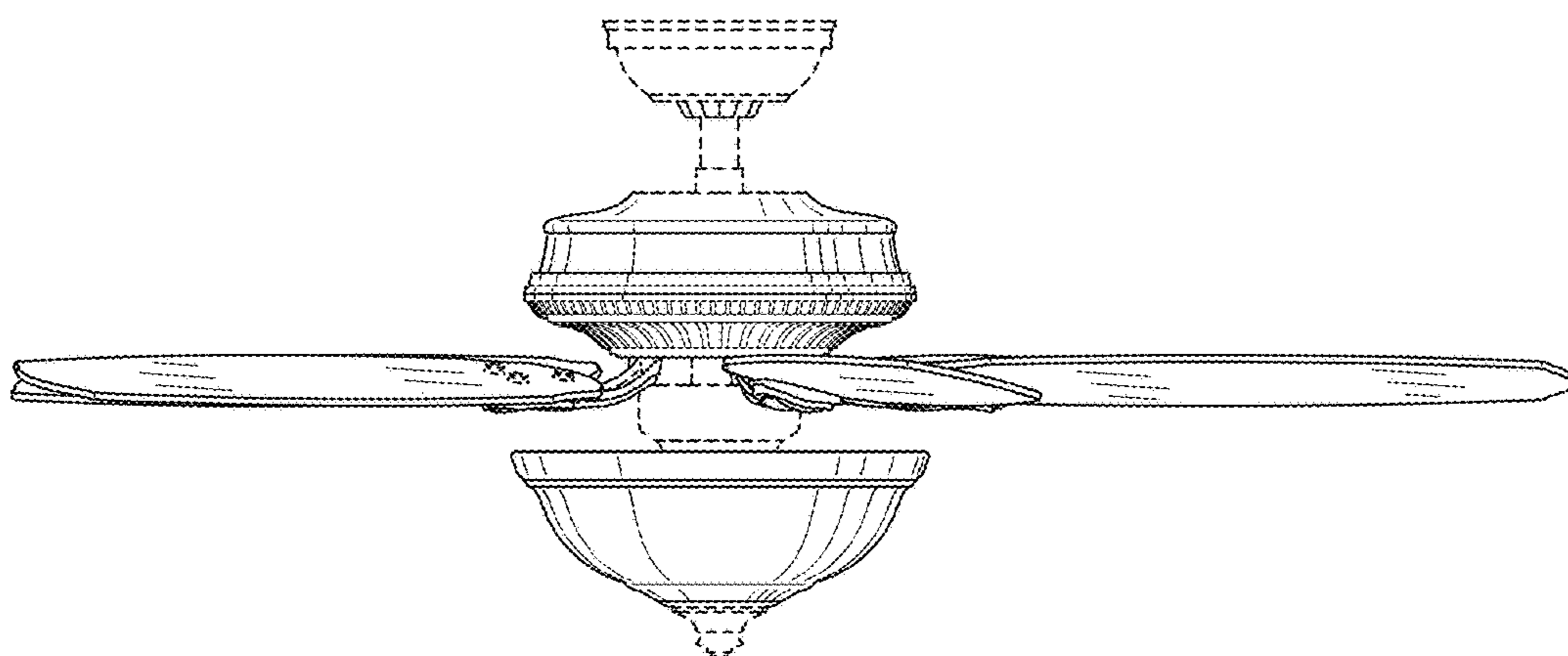


FIG. 6

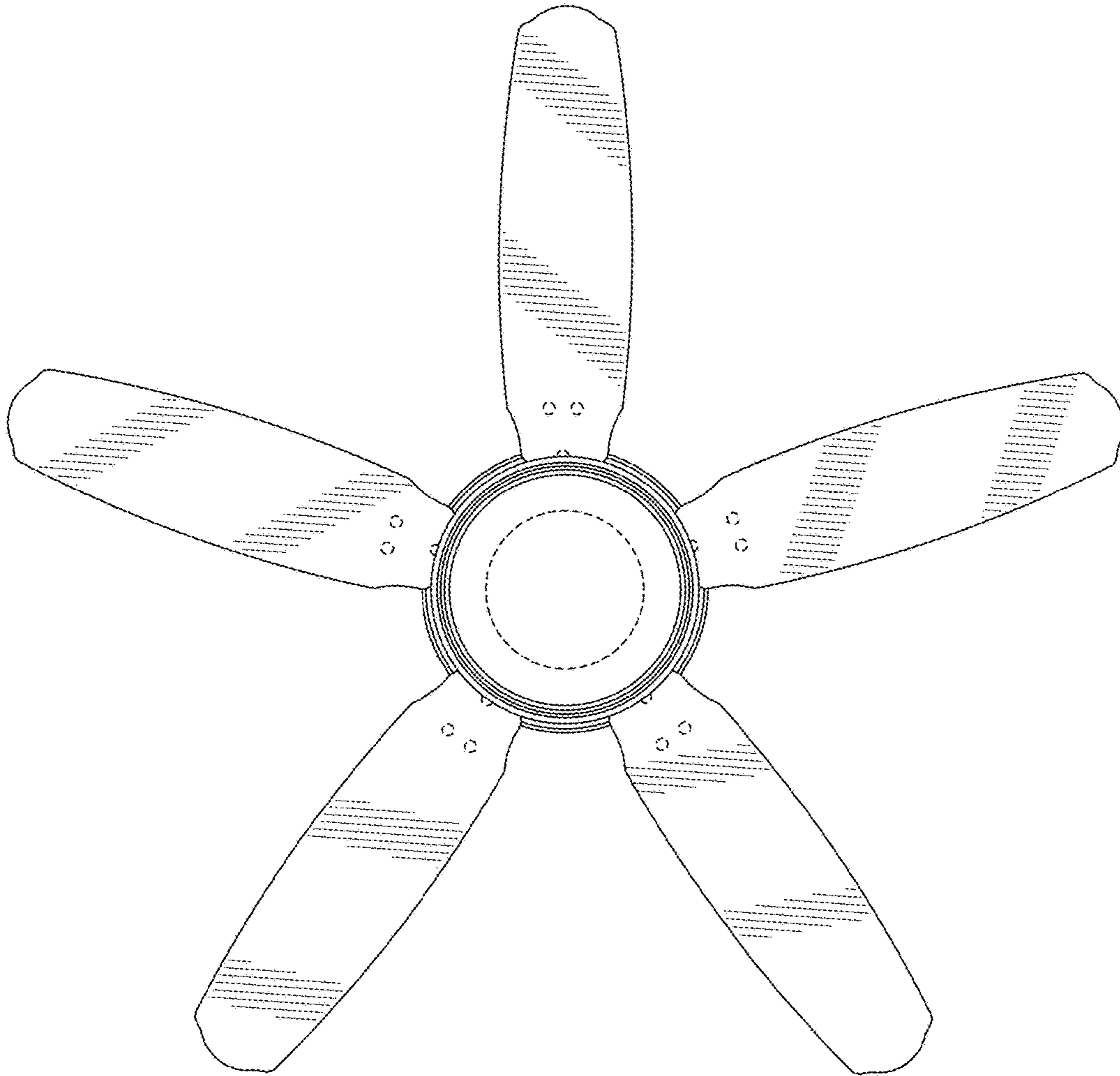


FIG. 7

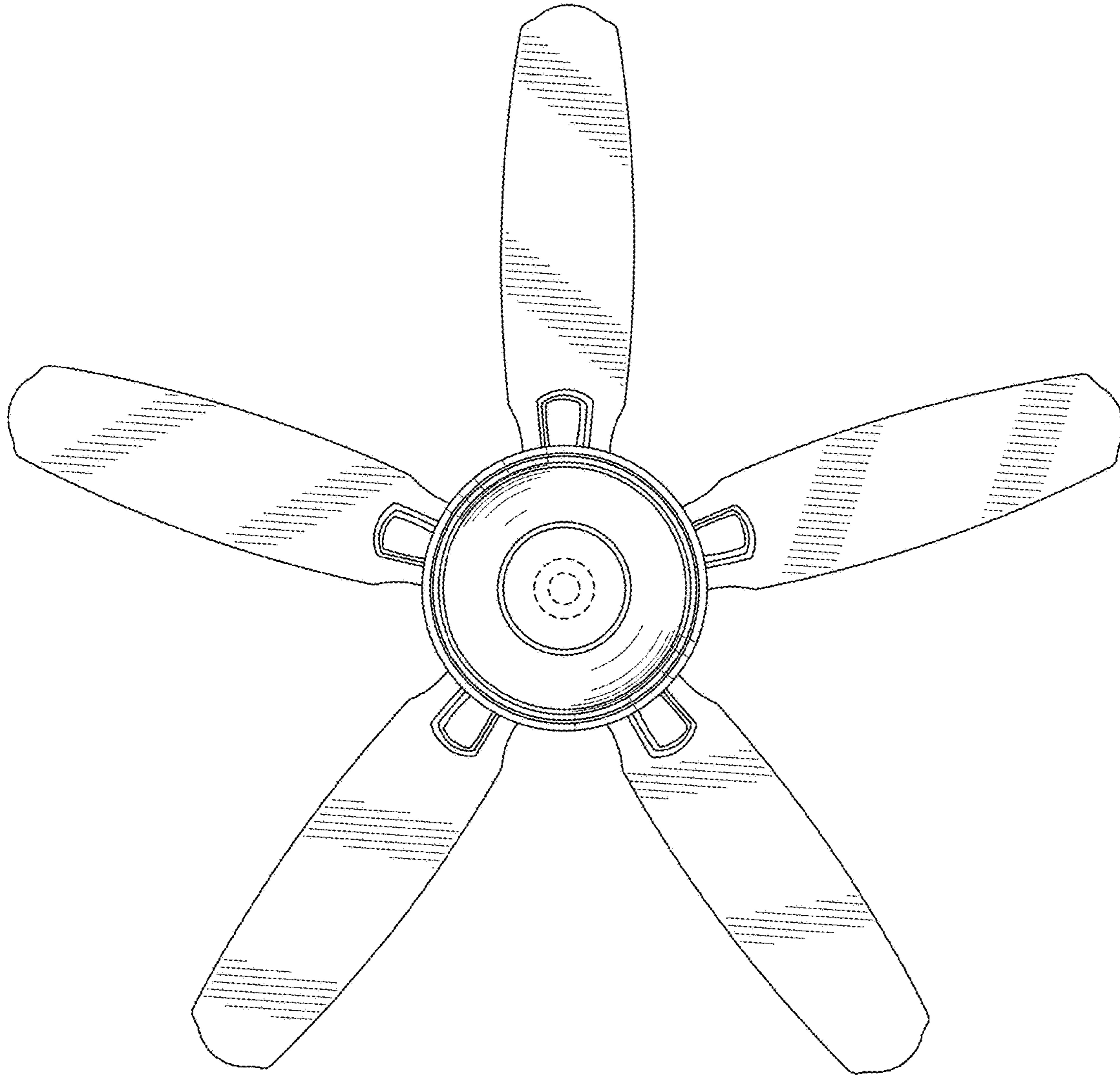


FIG. 8