



US00D810907S

(12) **United States Design Patent**
Yoon

(10) **Patent No.:** **US D810,907 S**
(45) **Date of Patent:** **** Feb. 20, 2018**

(54) **AIR CLEANER**

(71) Applicant: **WINIX INC.**, Siheung-si, Gyeonggi-do (KR)

(72) Inventor: **Hee Jong Yoon**, Seoul (KR)

(73) Assignee: **WINIX INC.**, Siheung-Si, Gyeonggi-Do (KR)

(**) Term: **15 Years**

(21) Appl. No.: **29/560,726**

(22) Filed: **Apr. 8, 2016**

(30) **Foreign Application Priority Data**

Dec. 2, 2015 (KR) 30-2015-0061221

(51) **LOC (11) Cl.** **23-04**

(52) **U.S. Cl.**
USPC **D23/364**

(58) **Field of Classification Search**

USPC D23/332-336, 342, 351, 352, 355-366,
D23/369, 370; D14/168, 170-172, 188,
D14/496

CPC A62B 21/00; B01D 46/0002; B01D 46/10;
F02M 35/04; F24F 13/20

See application file for complete search history.

(56) **References Cited**

U.S. PATENT DOCUMENTS

D521,135 S * 5/2006 Kita D23/364
D595,825 S * 7/2009 Ohta D23/364
D595,826 S * 7/2009 Ohta D23/364
D599,456 S * 9/2009 Choi D23/364

D604,401 S * 11/2009 Chun D23/359
D605,272 S * 12/2009 Chun D23/359
D608,433 S * 1/2010 Murai D23/364
D613,386 S * 4/2010 Niki D23/364

OTHER PUBLICATIONS

Winix C535 Air Cleaner found online [May 12, 2017] <https://www.costco.com/Winix-0535-Air-Cleaner-with-PlasmaWave-Technology.product.100280290.html>.*

* cited by examiner

Primary Examiner — Robert M. Spear

Assistant Examiner — John A Voytek

(74) *Attorney, Agent, or Firm* — Lewis Roca Rothgerber Christie LLP

(57) **CLAIM**

The ornamental design for an air cleaner, as shown and described.

DESCRIPTION

FIG. 1 is a perspective view of an air cleaner;
FIG. 2 is a front view thereof;
FIG. 3 is a rear view thereof;
FIG. 4 is a left-side view thereof;
FIG. 5 is a right-side view thereof;
FIG. 6 is a top view thereof;
FIG. 7 is a bottom view thereof; and,
FIG. 8 is an enlarged view of the encircled portion shown in FIG. 3.

The broken lines shown represent unclaimed subject matter and form no part of the claimed design.

1 Claim, 8 Drawing Sheets

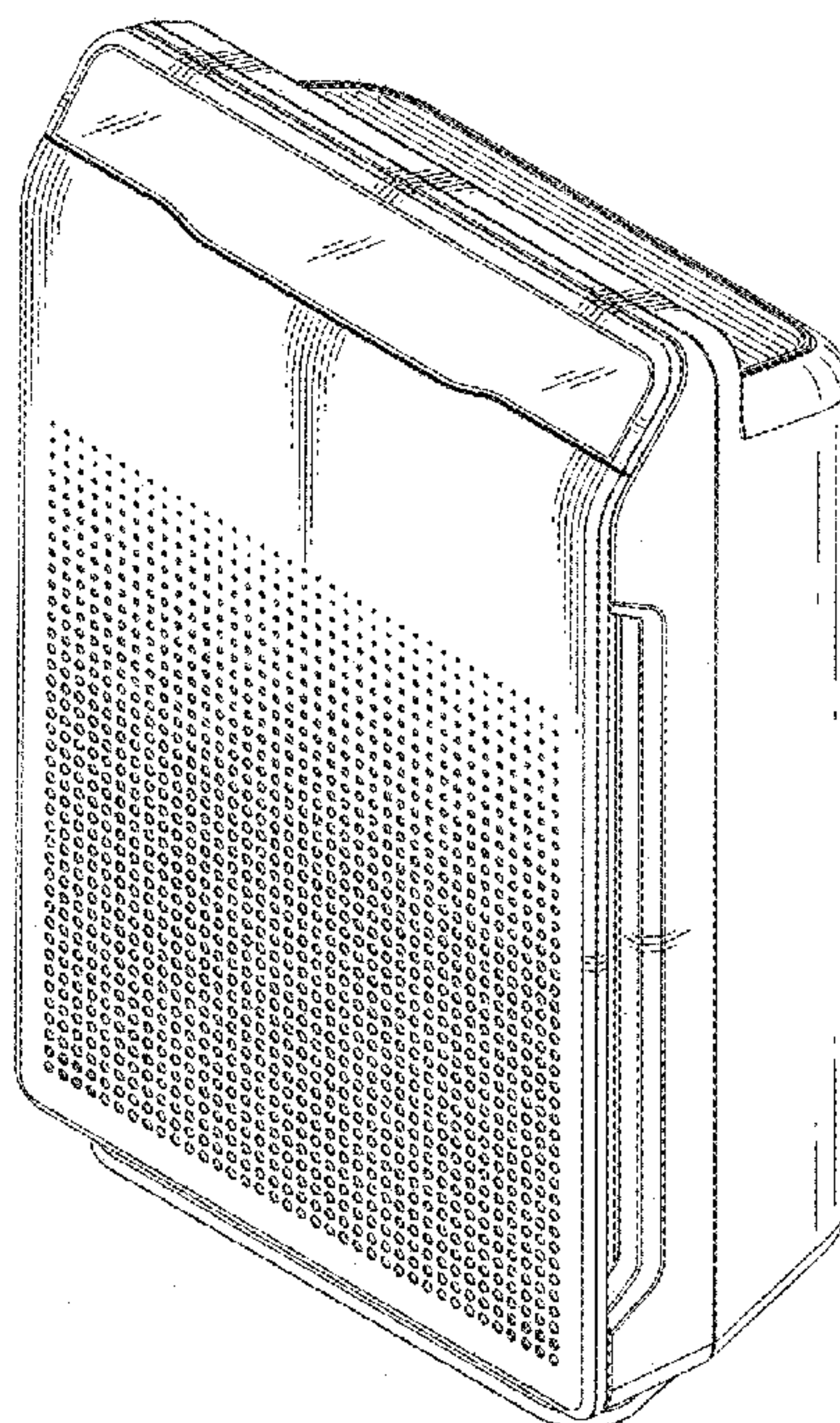


FIG. 1

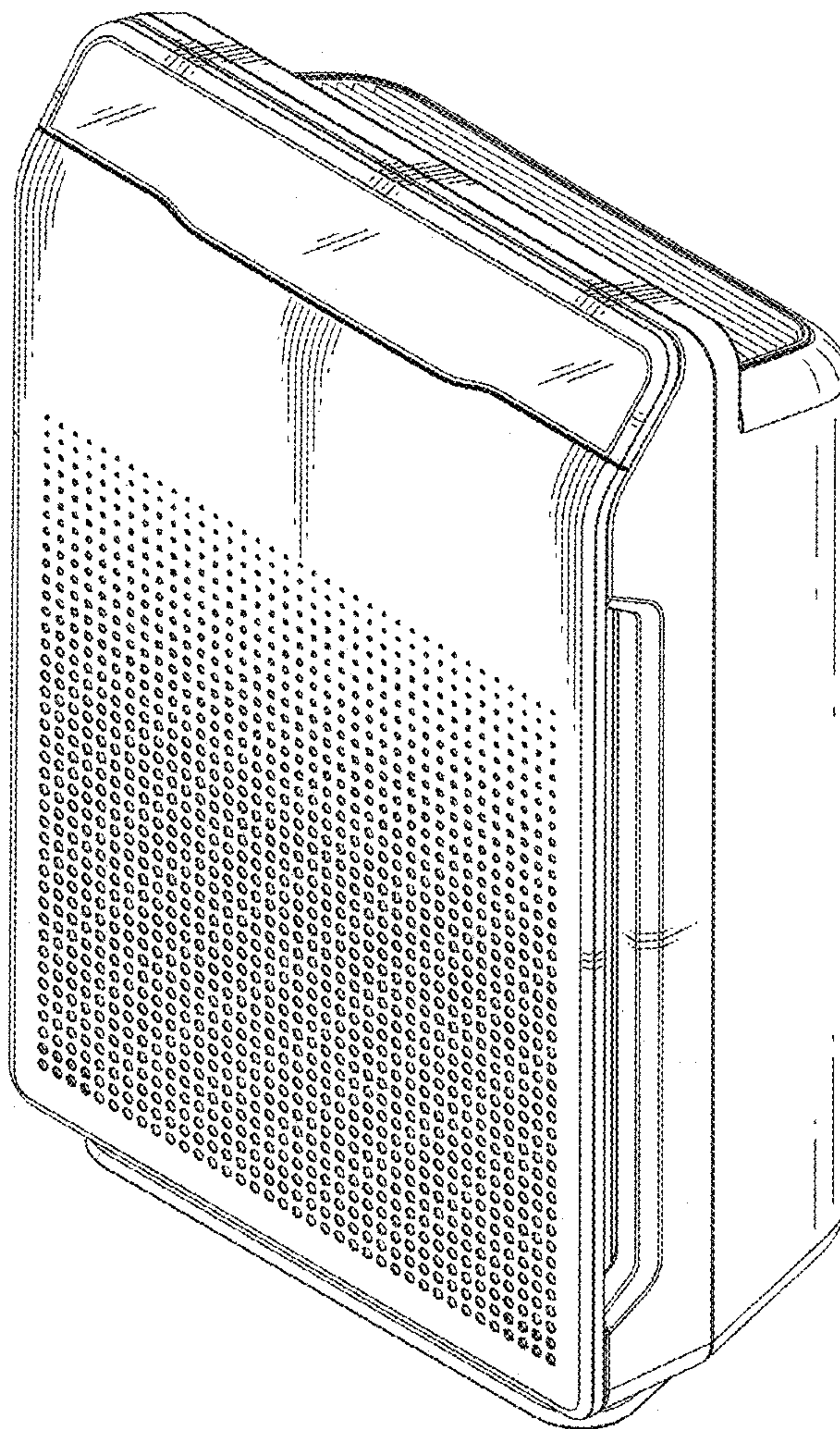


FIG. 2

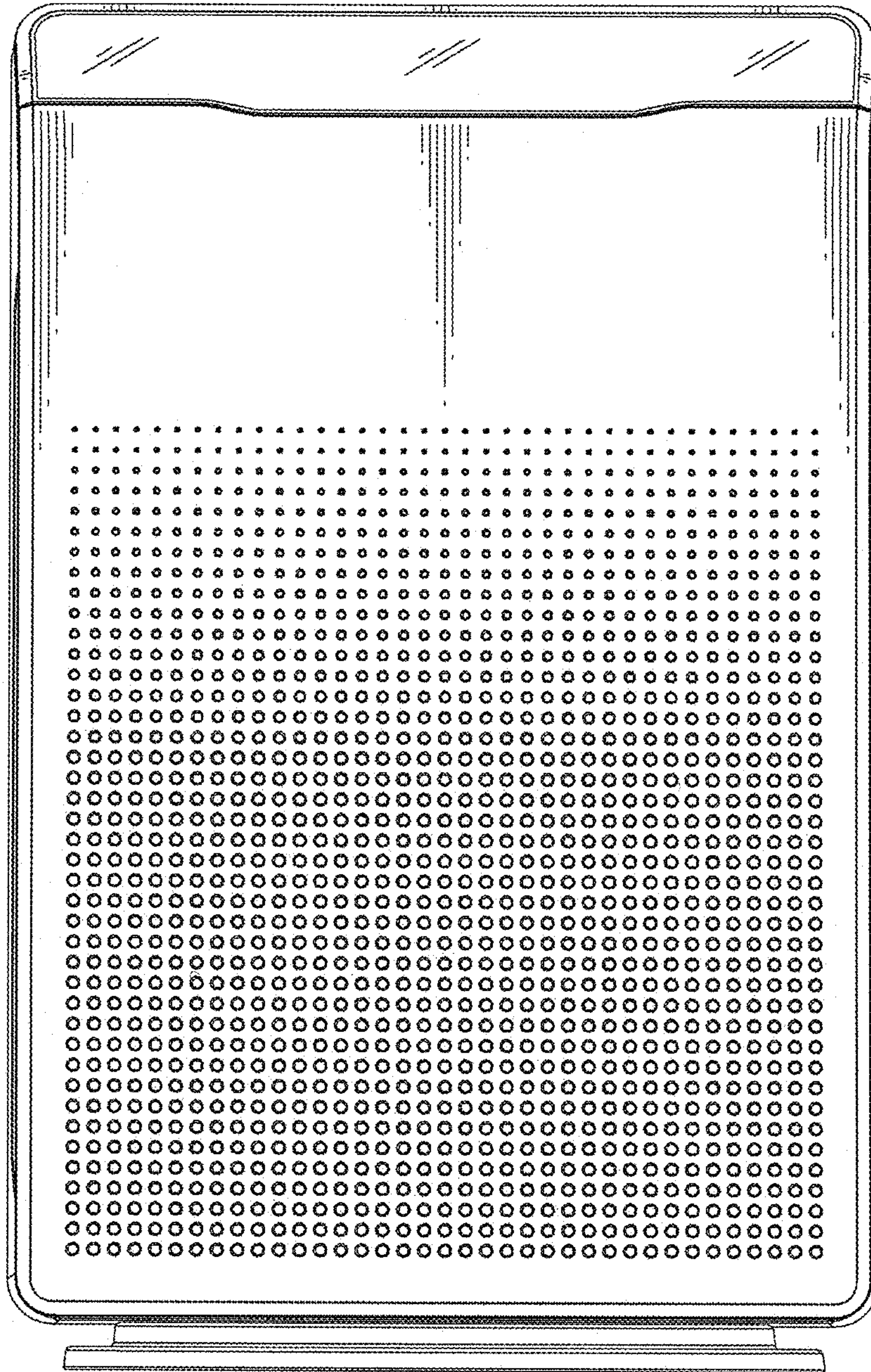


FIG. 3

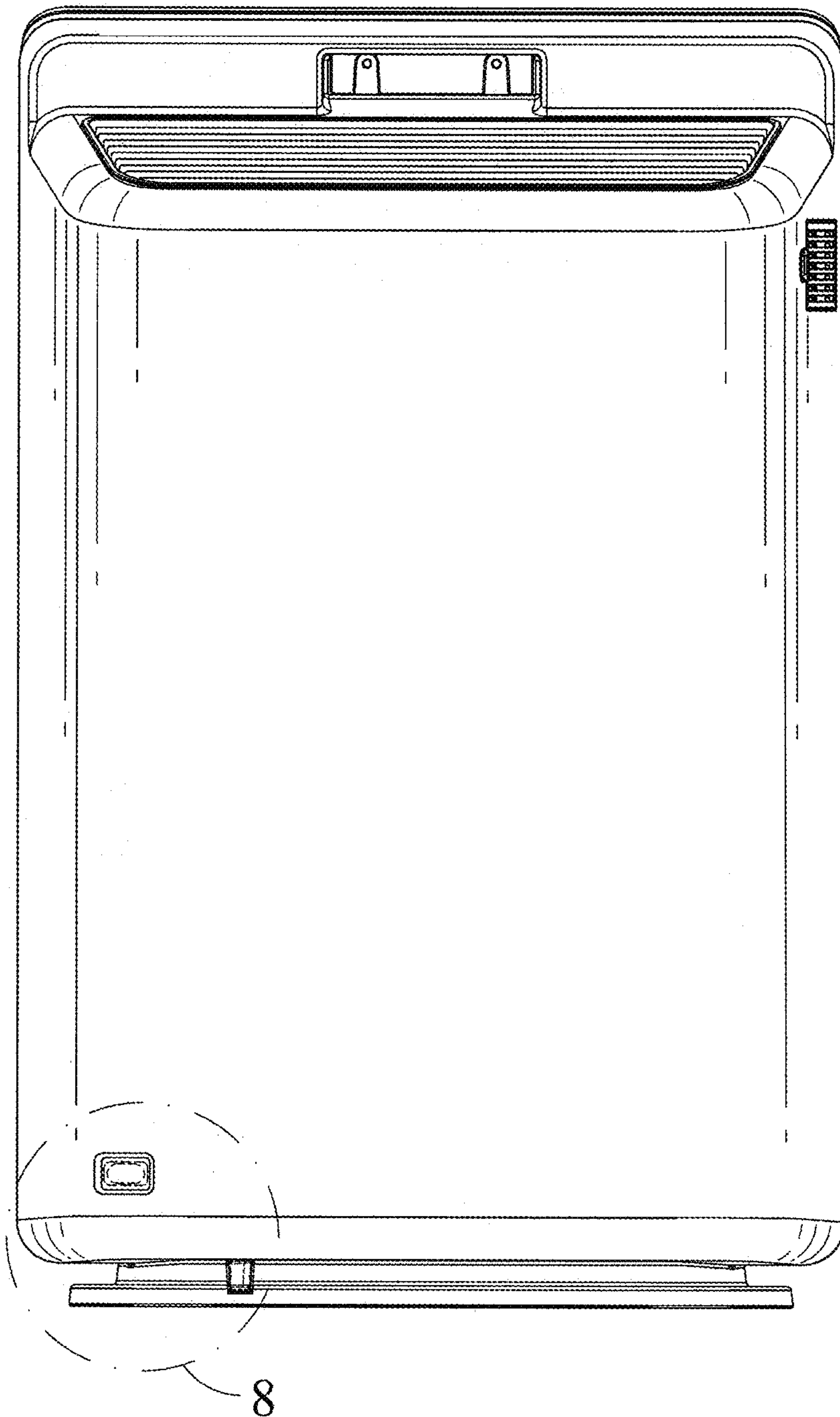


FIG. 4

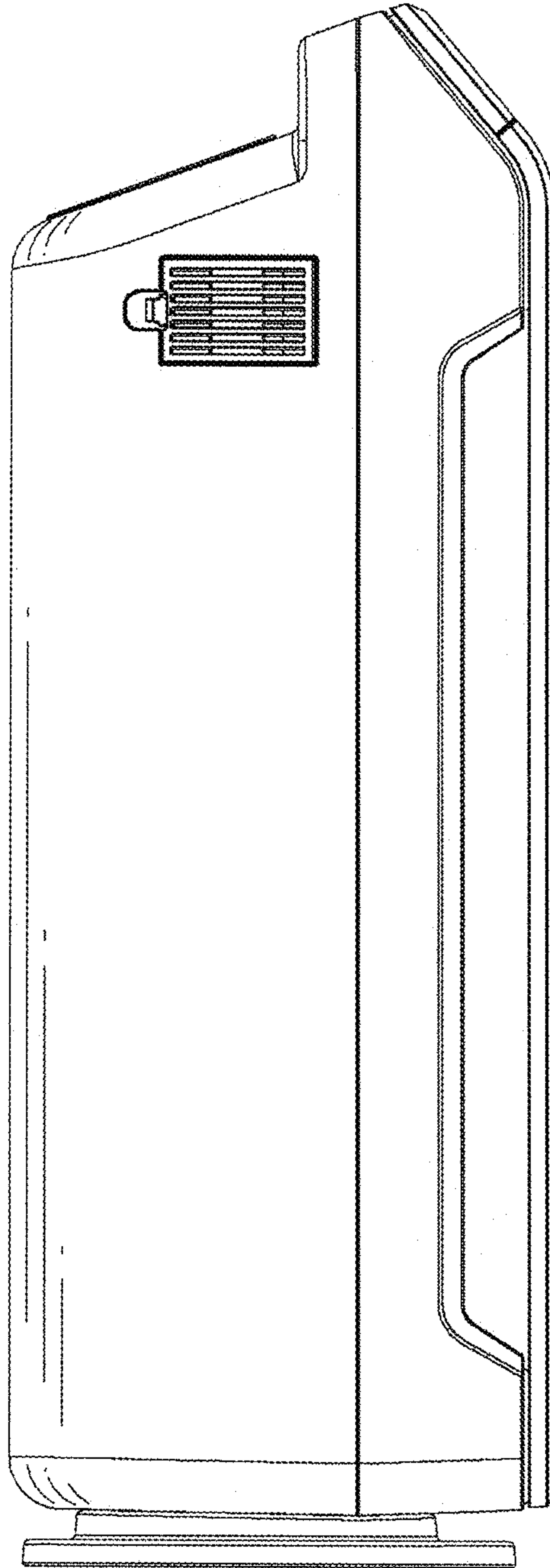


FIG. 5

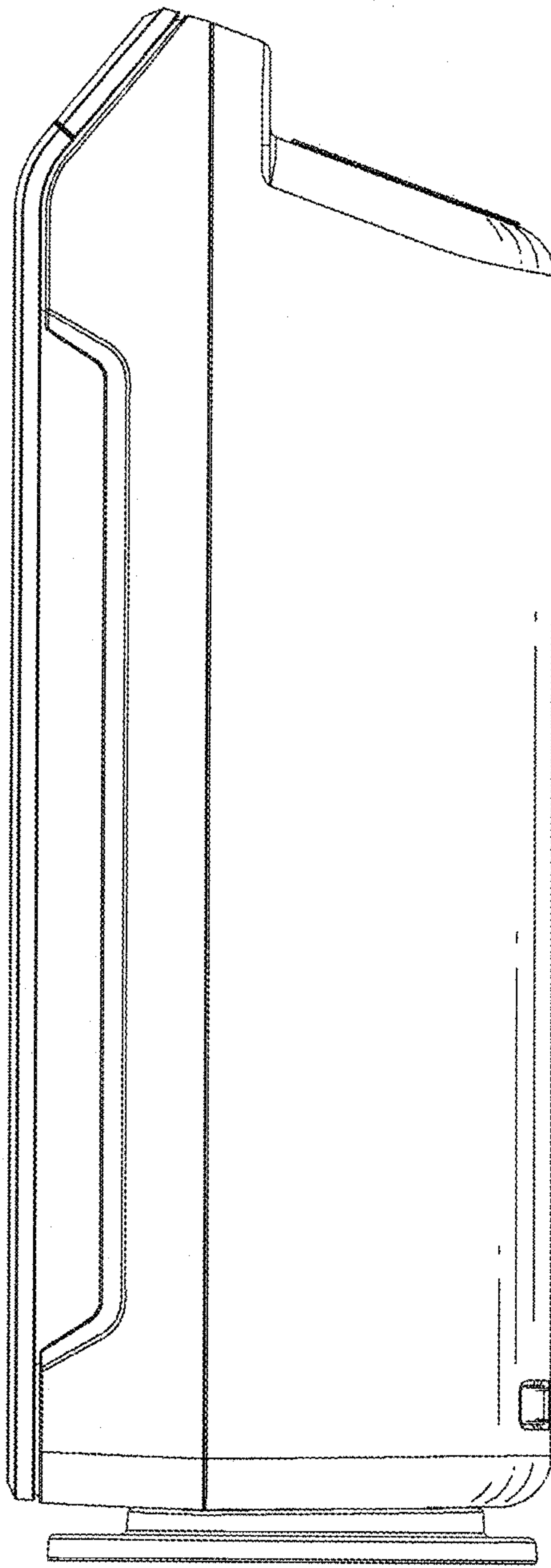


FIG. 6

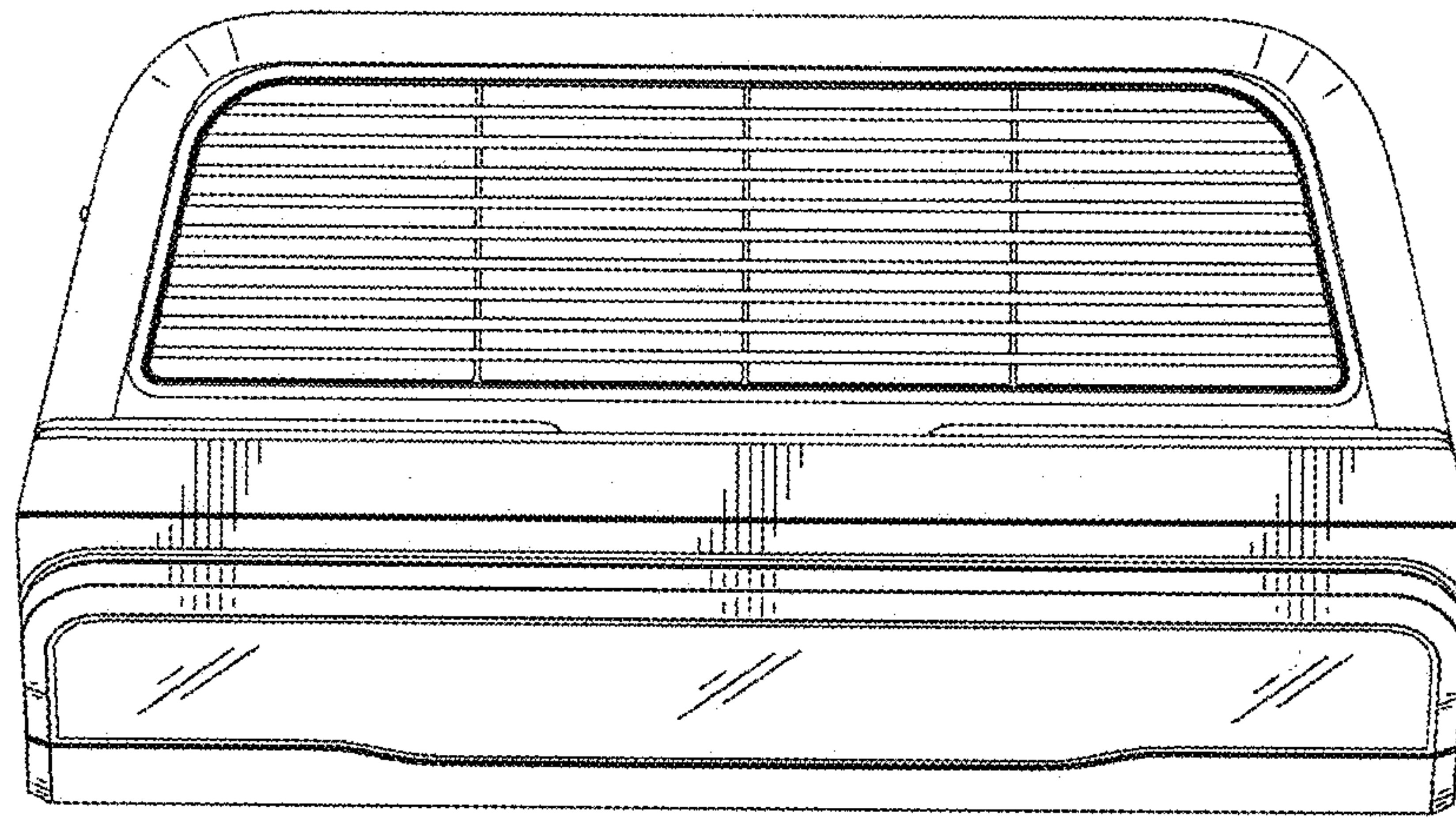


FIG. 7

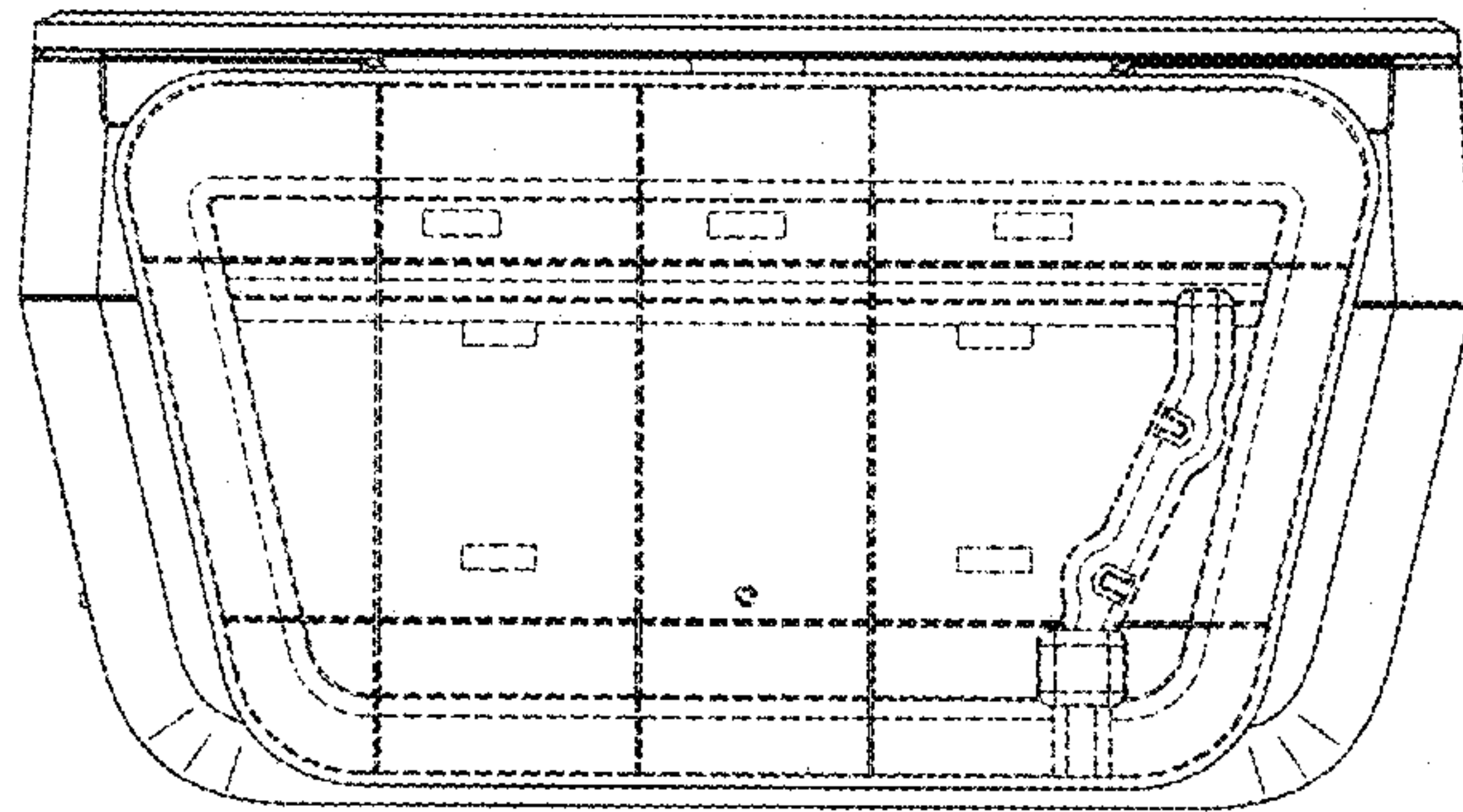


FIG. 8

