



US00D810905S

(12) **United States Design Patent**  
**Yoon**

(10) **Patent No.:** **US D810,905 S**  
(45) **Date of Patent:** **\*\* Feb. 20, 2018**

- (54) **AIR CLEANER**
- (71) Applicant: **WINIX INC.**, Siheung-si, Gyeonggi-do (KR)
- (72) Inventor: **Hee Jong Yoon**, Seoul (KR)
- (73) Assignee: **WINIX INC.**, Siheung-Si, Gyeonggi-Do (KR)
- (\*\*) Term: **15 Years**
- (21) Appl. No.: **29/560,718**
- (22) Filed: **Apr. 8, 2016**

- D678,992 S \* 3/2013 Choi ..... D23/364
- D707,338 S \* 6/2014 Ediger ..... D23/356
- D716,432 S \* 10/2014 Viala ..... A61L 9/03  
D23/366
- D757,922 S \* 5/2016 Tang ..... D23/364

(30) **Foreign Application Priority Data**

Dec. 11, 2015 (KR) ..... 30-2015-0063194

- (51) **LOC (11) Cl.** ..... **23-04**
- (52) **U.S. Cl.**  
USPC ..... **D23/364**

(58) **Field of Classification Search**

USPC ..... D23/332-336, 342, 351, 352, 355-366,  
D23/369, 370; D14/168, 170-172, 188,  
D14/216, 496

CPC .... A62B 21/00; B01D 46/0002; B01D 46/10;  
F02M 35/04; F24F 13/20

See application file for complete search history.

(56) **References Cited**

**U.S. PATENT DOCUMENTS**

- D433,494 S \* 11/2000 Pinchuk ..... D23/364
- D551,330 S \* 9/2007 Paterson ..... D23/364
- D574,476 S \* 8/2008 Spiegel ..... D23/364
- D588,251 S \* 3/2009 Spiegel ..... D23/364
- D591,840 S \* 5/2009 Gao ..... D23/332
- D650,472 S \* 12/2011 Petersen ..... D23/364
- D658,751 S \* 5/2012 Farone ..... D23/364

**OTHER PUBLICATIONS**

Winix NK100 Air Cleaner found online [May 11, 2017] <https://winixamerica.com/product/nk100/>\*

\* cited by examiner

*Primary Examiner* — Robert M. Spear

*Assistant Examiner* — John A Voytek

(74) *Attorney, Agent, or Firm* — Lewis Roca Rothgerber Christie LLP

(57) **CLAIM**

The ornamental design for an air cleaner, as shown and described.

**DESCRIPTION**

FIG. 1 is a perspective view of an entire shape of this design;  
 FIG. 2 is a front view thereof;  
 FIG. 3 is a rear view thereof;  
 FIG. 4 is a left-side view thereof;  
 FIG. 5 is a right-side view thereof;  
 FIG. 6 is a top view thereof;  
 FIG. 7 is a bottom view thereof;  
 FIG. 8 is an enlarged view of the encircled portion shown in FIG. 1;  
 FIG. 9 is an enlarged view of the encircled portion shown in FIG. 2; and,  
 FIG. 10 is an enlarged view of the encircled portion shown in FIG. 6.

The broken lines shown represent unclaimed subject matter and form no part of the claimed design.

**1 Claim, 9 Drawing Sheets**

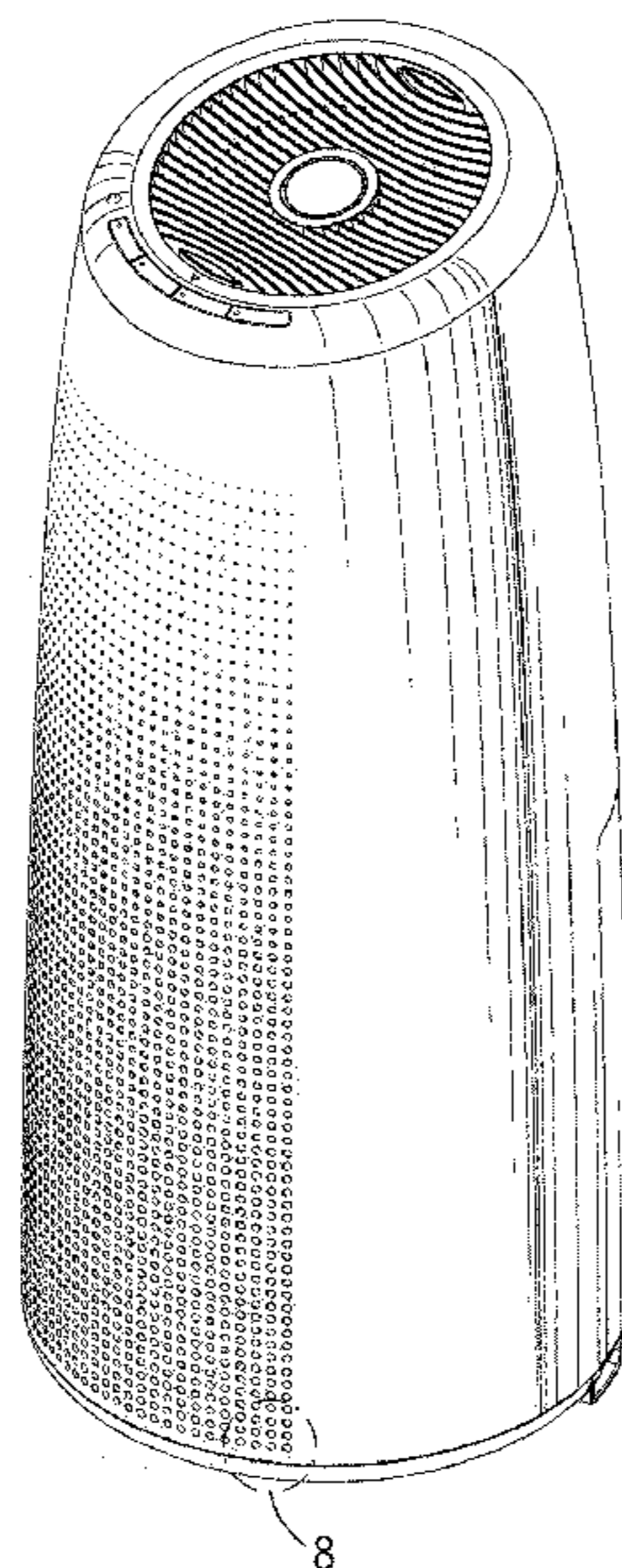


FIG. 1

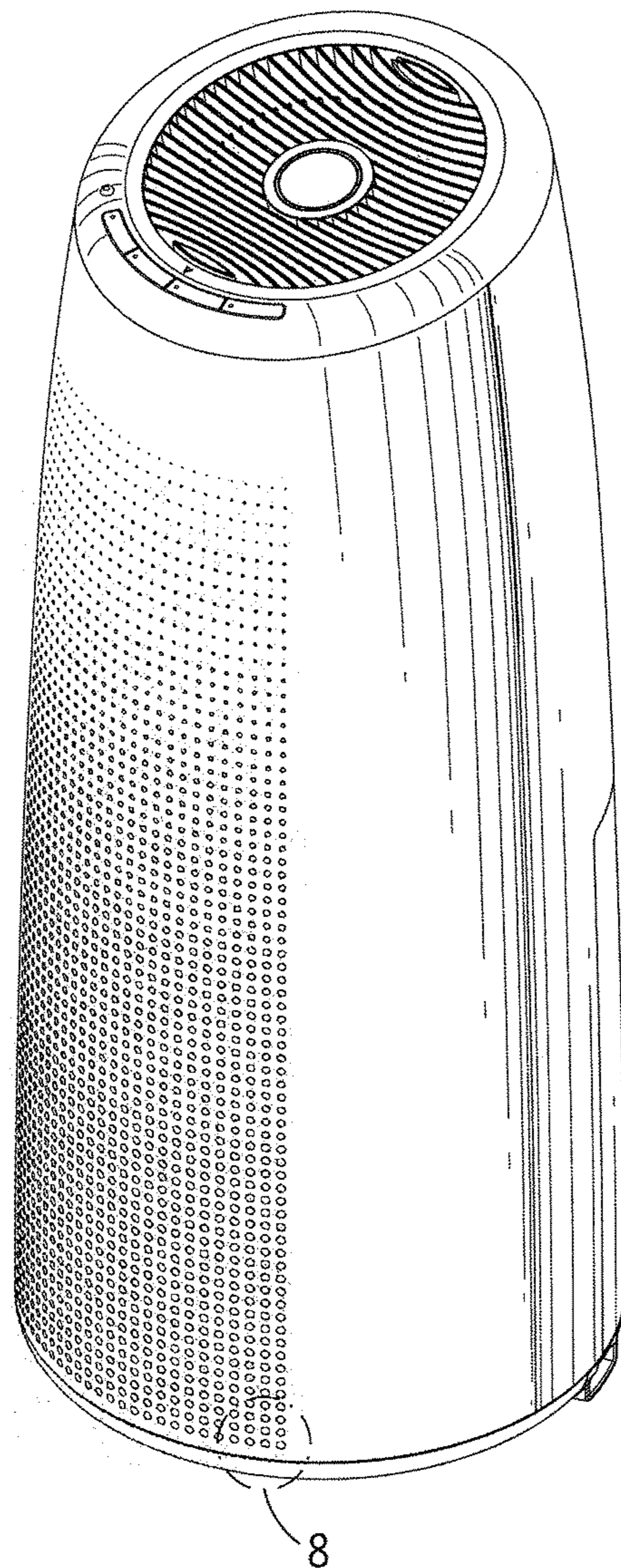


FIG. 2

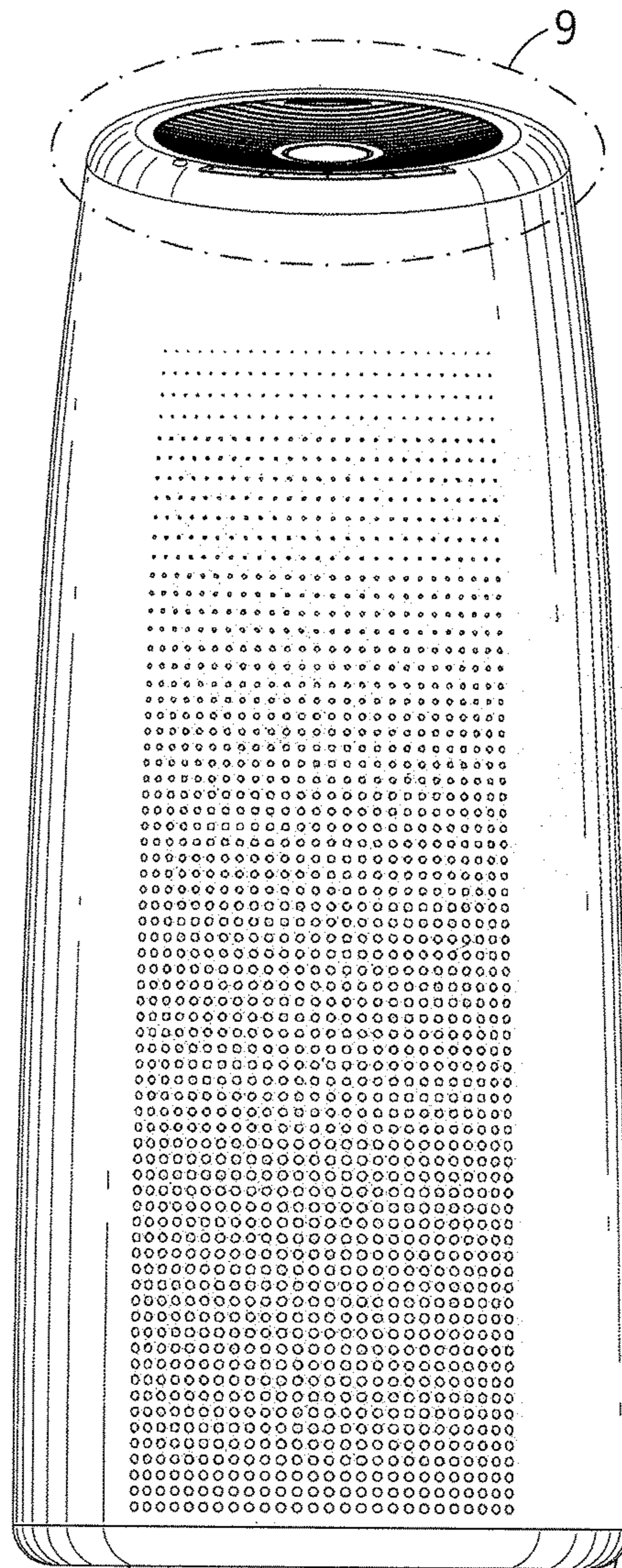


FIG. 3

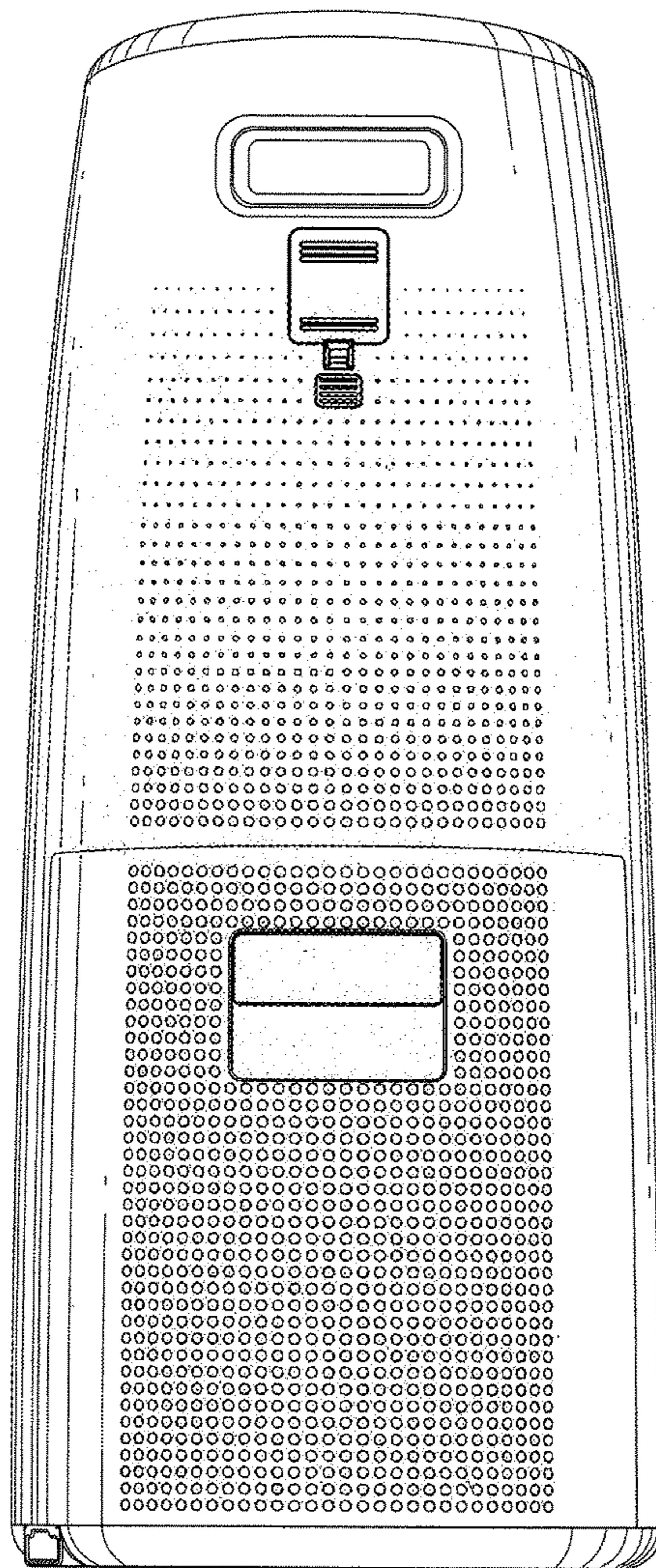


FIG. 4

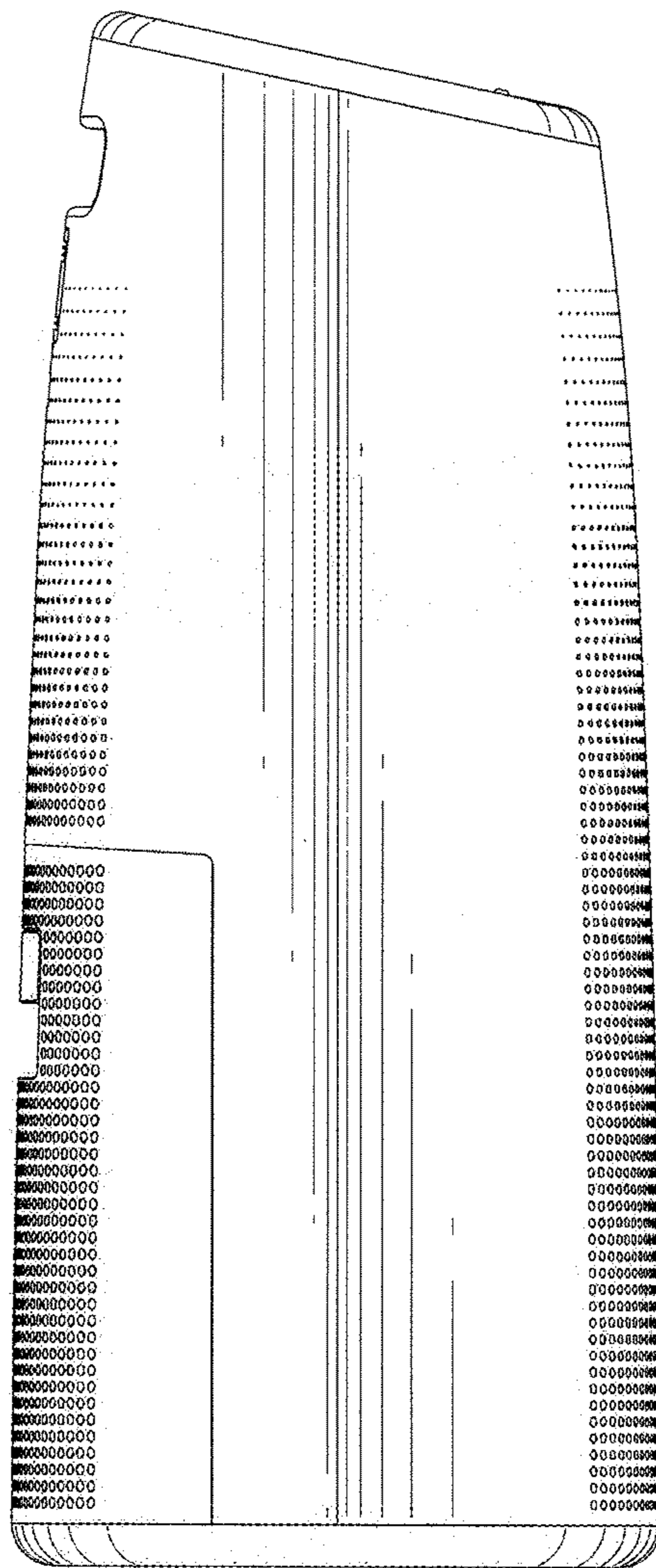


FIG. 5

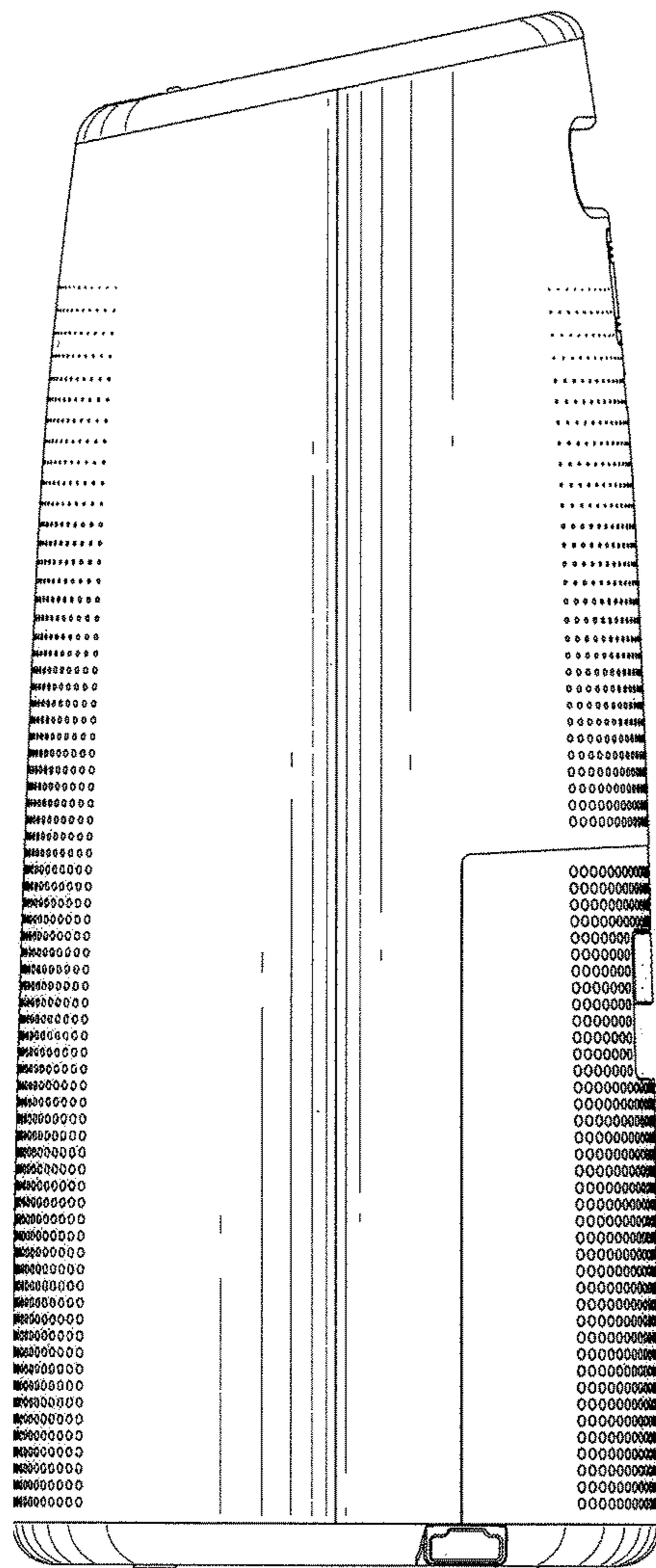


FIG. 6

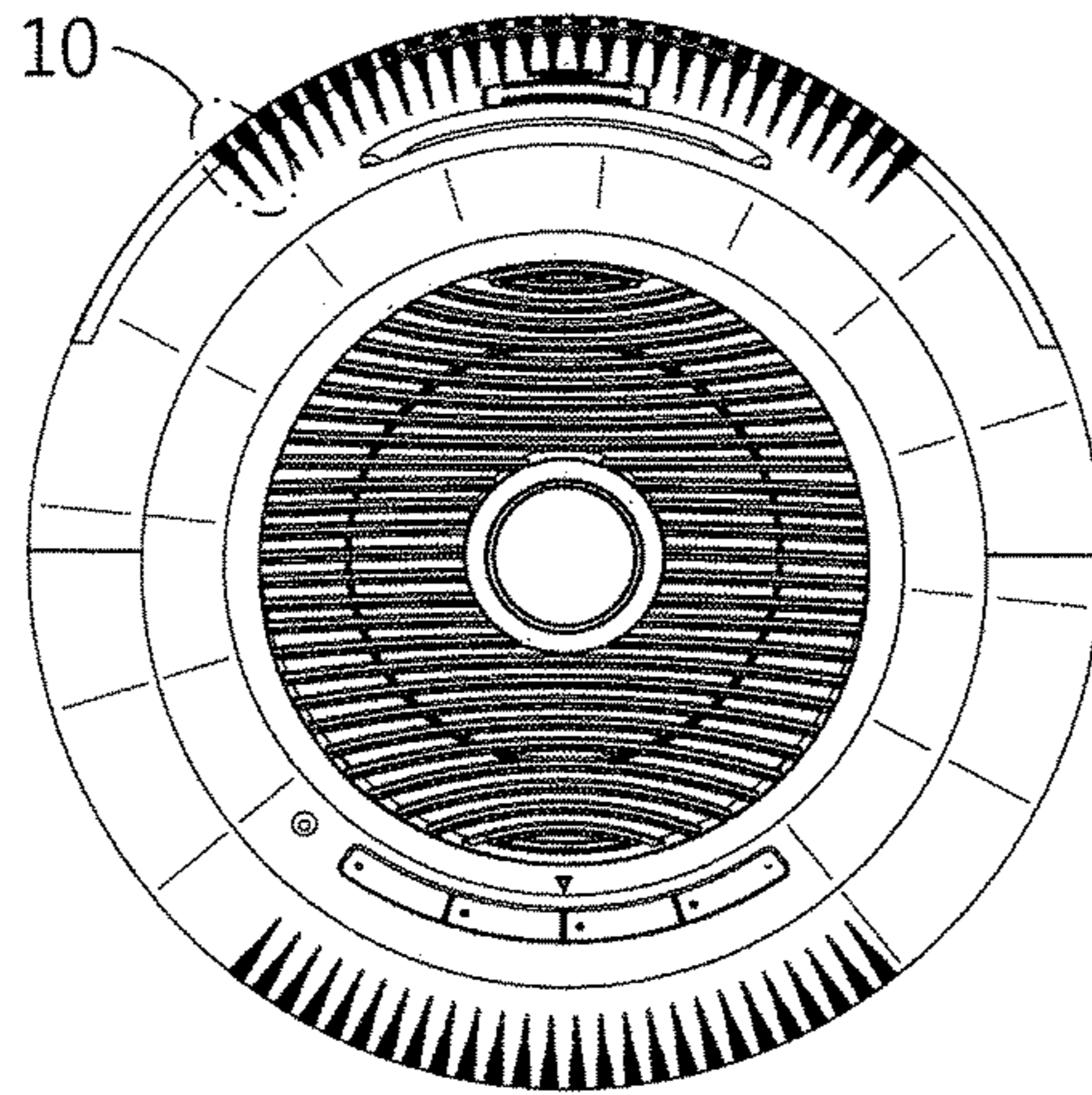


FIG. 7

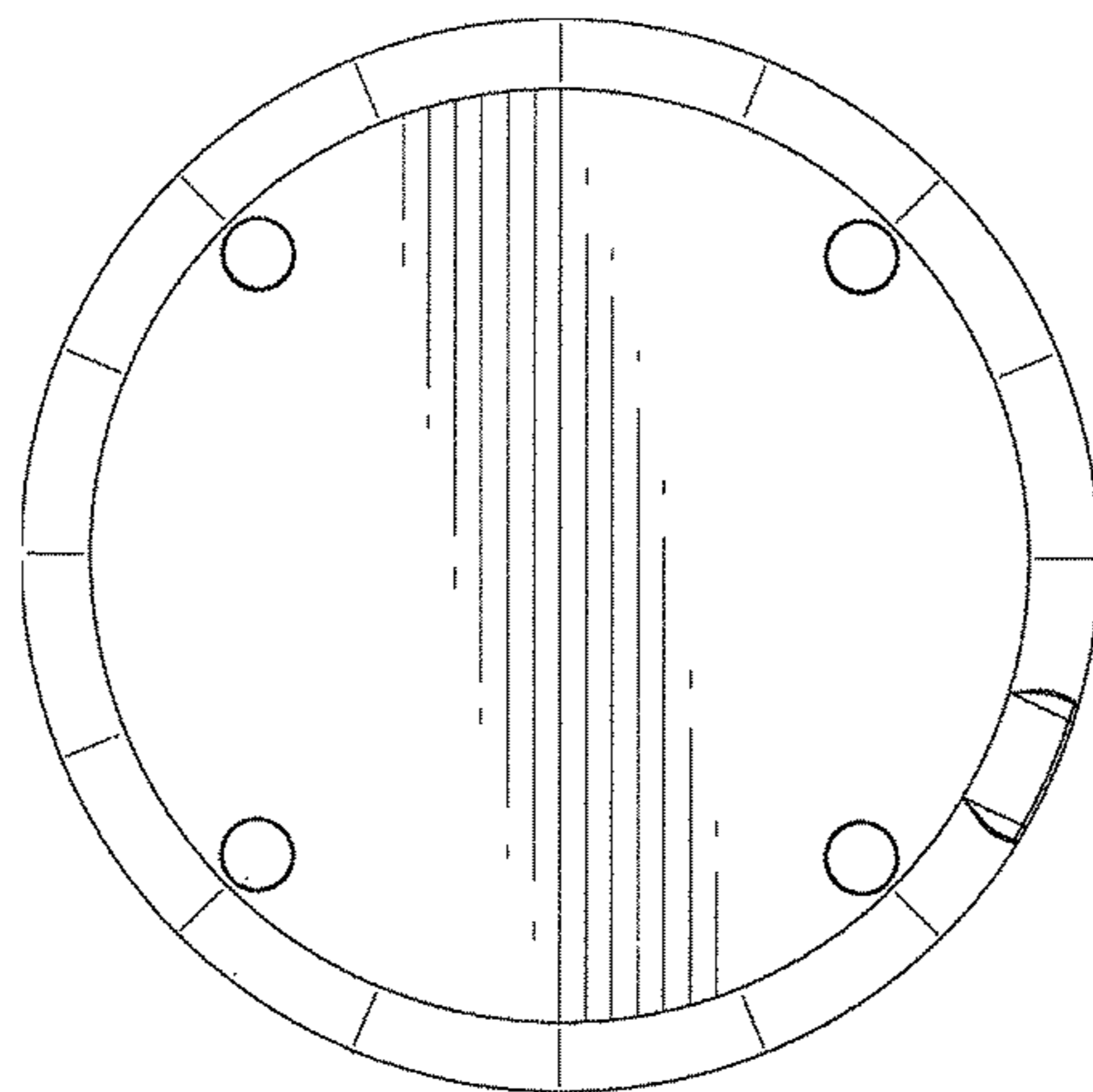


FIG. 8

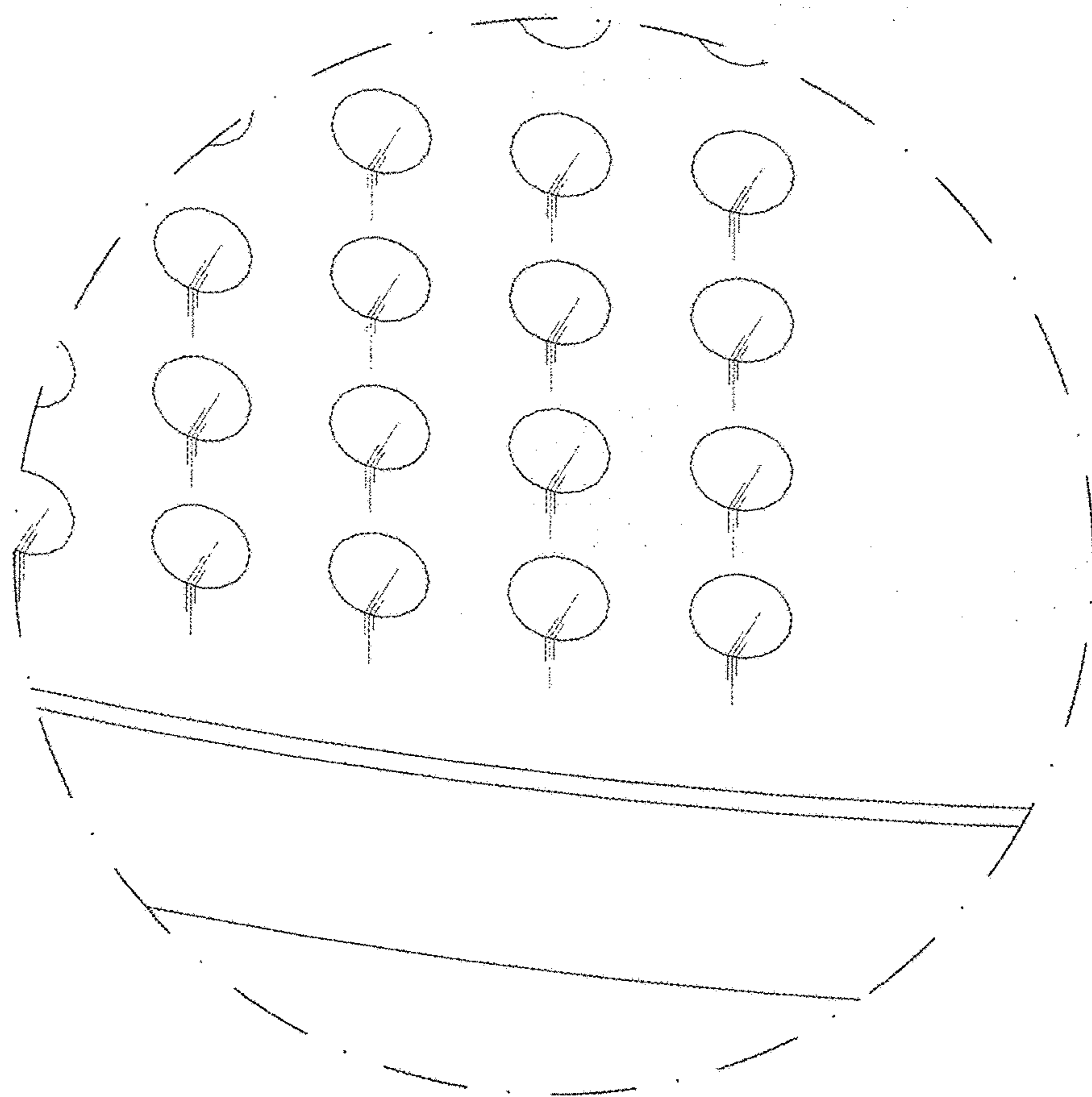




FIG. 9

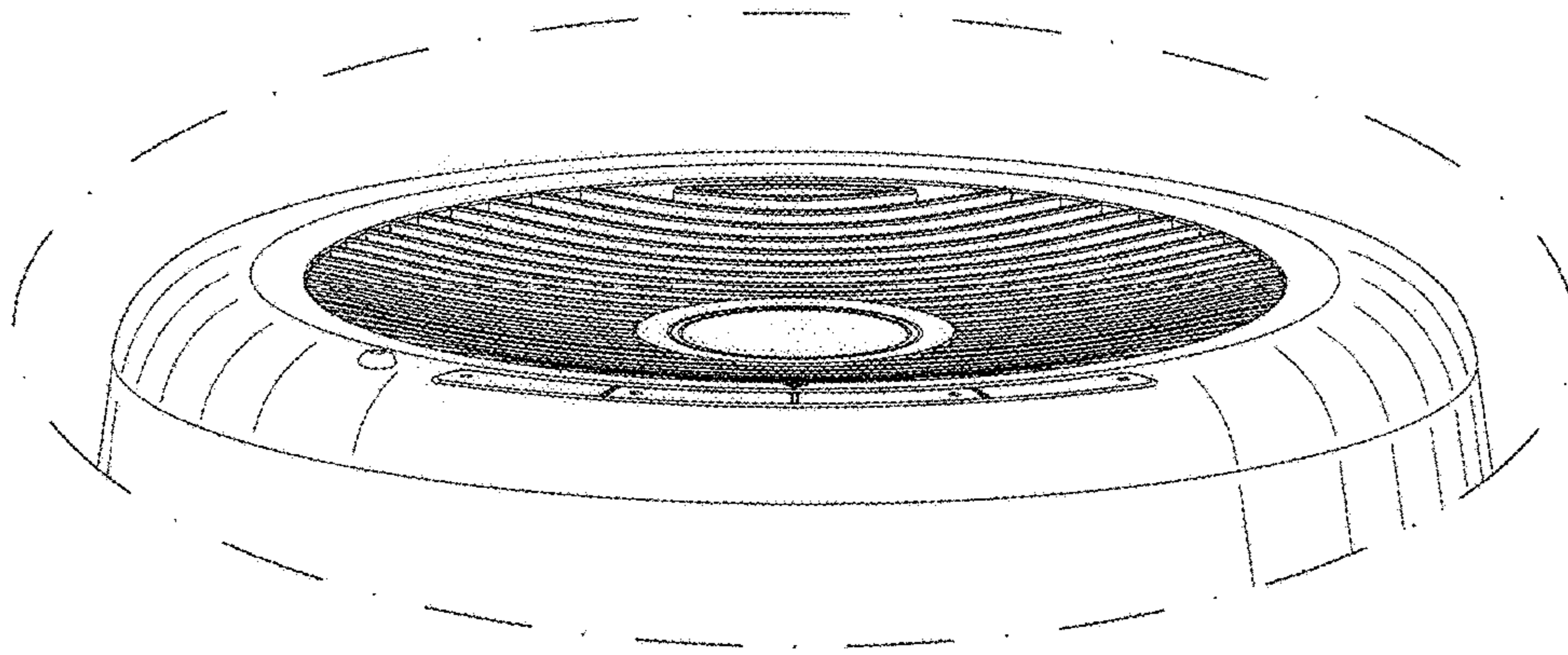


FIG. 10

