



US00D810904S

(12) **United States Design Patent** (10) **Patent No.:** **US D810,904 S**
Omote et al. (45) **Date of Patent:** **** Feb. 20, 2018**

(54) **FLAPPER FOR THE ROOF OF A POWER
CONDITIONING SUBSYSTEM**

(56) **References Cited**

U.S. PATENT DOCUMENTS

(71) Applicant: **Toshiba Mitsubishi-Electric Industrial
Systems Corporation**, Tokyo (JP)
(72) Inventors: **Kenichiro Omote**, Tokyo (JP); **Kenji
Oda**, Tokyo (JP)
(73) Assignee: **Toshiba Mitsubishi-Electric Industrial
Systems Corporation**, Tokyo (JP)

D478,977 S *	8/2003	Snyder	D23/388
D502,255 S *	2/2005	Kim	D23/351
D558,864 S *	1/2008	Yoo	D23/351
D558,865 S *	1/2008	Yoo	D23/351
D621,492 S *	8/2010	Tanaka	D23/351
D627,043 S *	11/2010	Tanaka	D23/351
D762,290 S *	7/2016	Jepson	D23/342
D771,793 S *	11/2016	Smith	D23/393
D779,650 S *	2/2017	Poehlman	D23/393

* cited by examiner

Primary Examiner — George D. Kirschbaum
Assistant Examiner — Natasha Vujcic
(74) *Attorney, Agent, or Firm* — Banner & Witcoff, Ltd.

(**) Term: **15 Years**
(21) Appl. No.: **29/583,384**
(22) Filed: **Nov. 4, 2016**

(57) **CLAIM**

The ornamental design for a flapper for the roof of a power conditioning subsystem, as shown and described.

(30) **Foreign Application Priority Data**

May 30, 2016 (JP) 2016-011387

DESCRIPTION

(51) **LOC (11) Cl.** **23-04**
(52) **U.S. Cl.**
USPC **D23/351**
(58) **Field of Classification Search**
USPC D23/333, 335, 341, 342, 351, 353, 354,
D23/355, 356, 359, 364, 365, 370, 385,
D23/386, 388, 393
CPC F24F 1/00; F24F 1/0007; F24F 1/02; F24F
1/08; F24F 1/42; F24F 1/56; F24F 1/60;
F24F 3/044; F24F 3/048; F24F 3/16;
F24F 7/00; F24F 7/04; F24F 12/001;
F24F 12/006

FIG. 1 is a perspective view of a flapper for the roof of a power conditioning subsystem showing our new design, FIG. 2 is a front elevational view thereof, FIG. 3 is a rear elevational view thereof, FIG. 4 is a top plan view thereof, FIG. 5 is a bottom plan view thereof, FIG. 6 is a left side elevational view thereof, FIG. 7 is a right side elevational view thereof, FIG. 8 is a perspective view in a position of use thereof; and, FIG. 9 is a perspective view in an open position of use thereof.

See application file for complete search history.

1 Claim, 7 Drawing Sheets

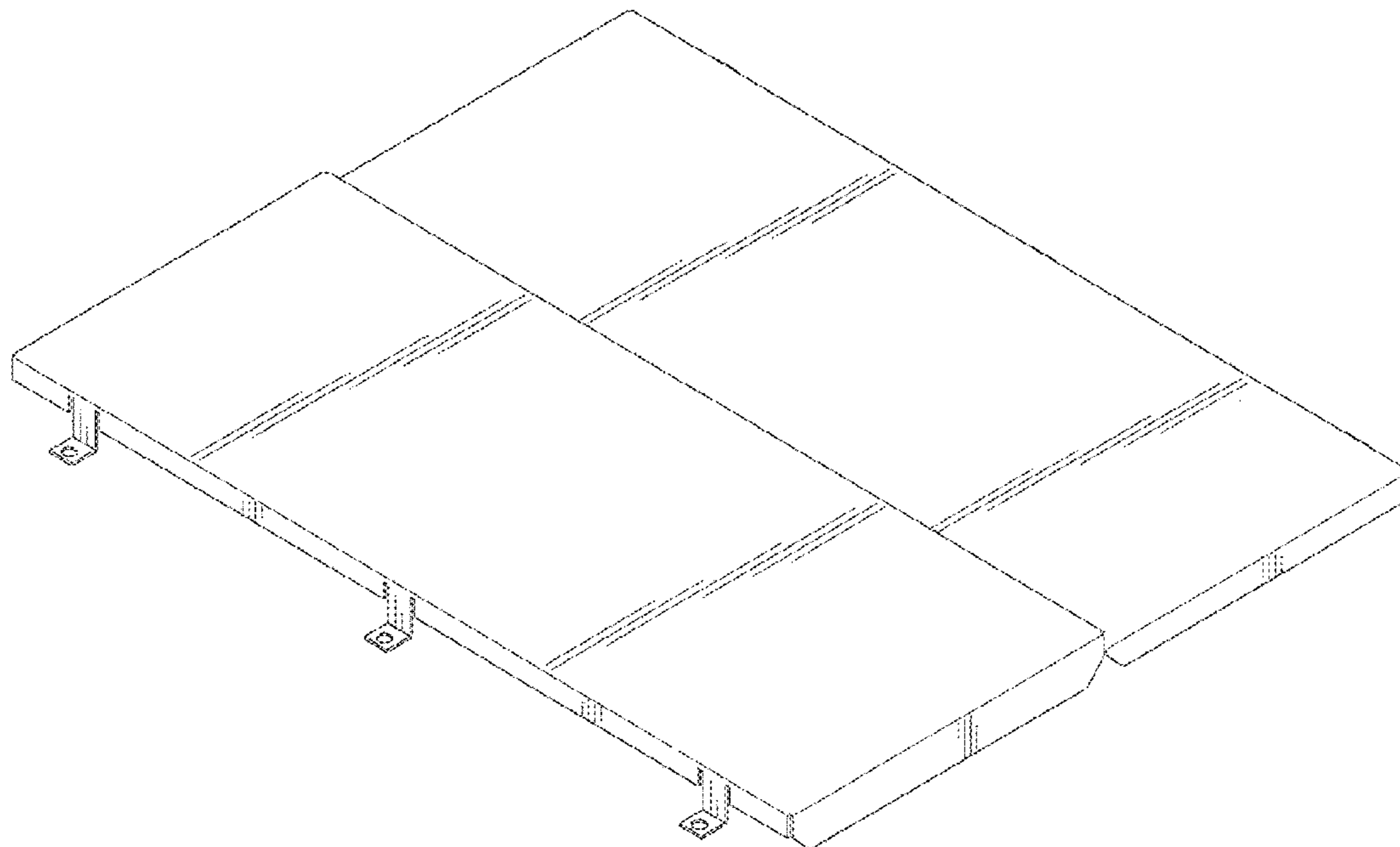


Fig. 1

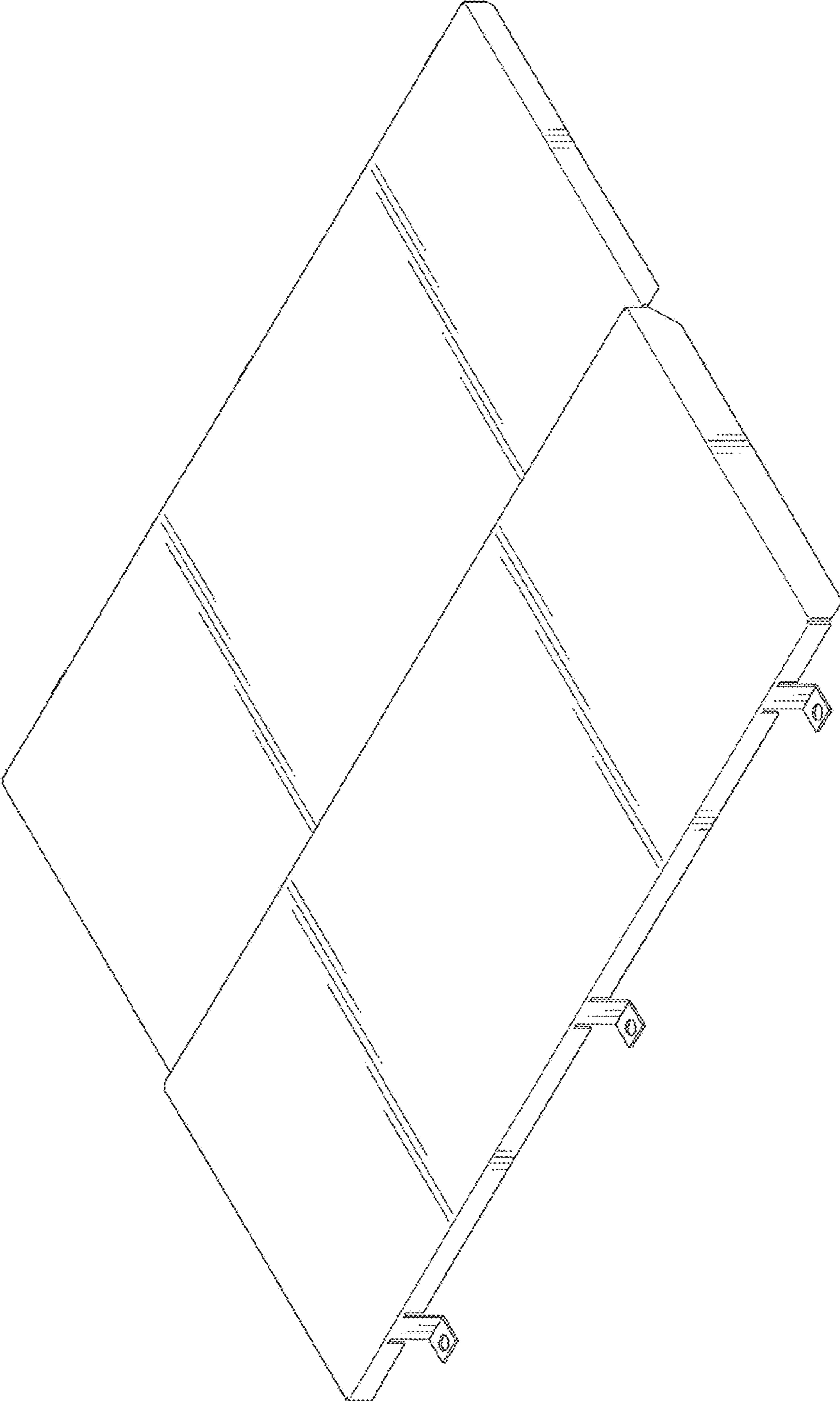


Fig. 2

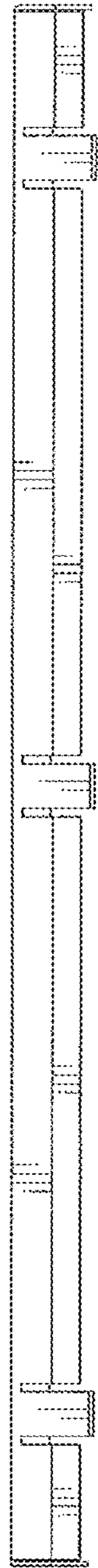


Fig. 3



Fig. 4

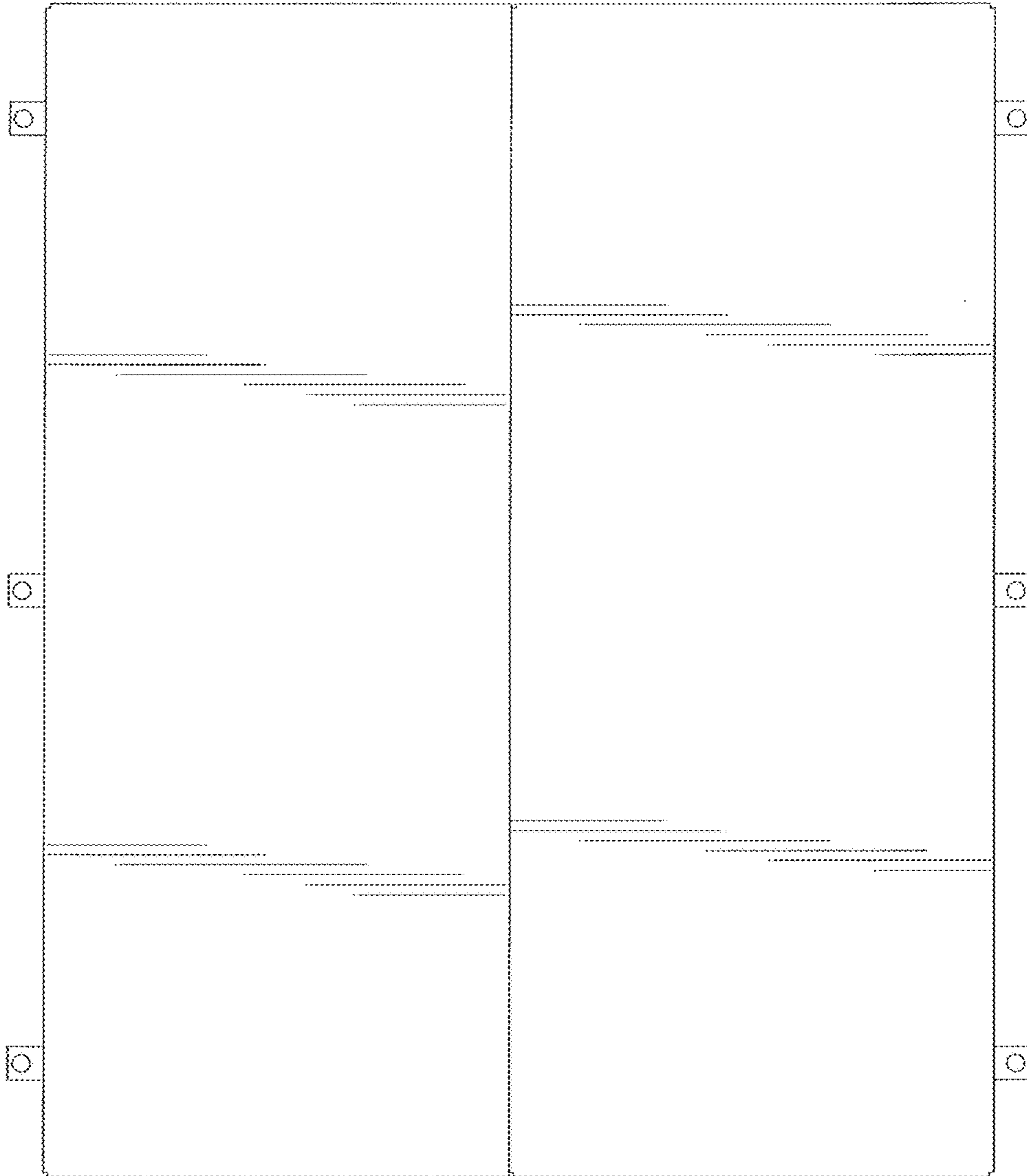


Fig. 5

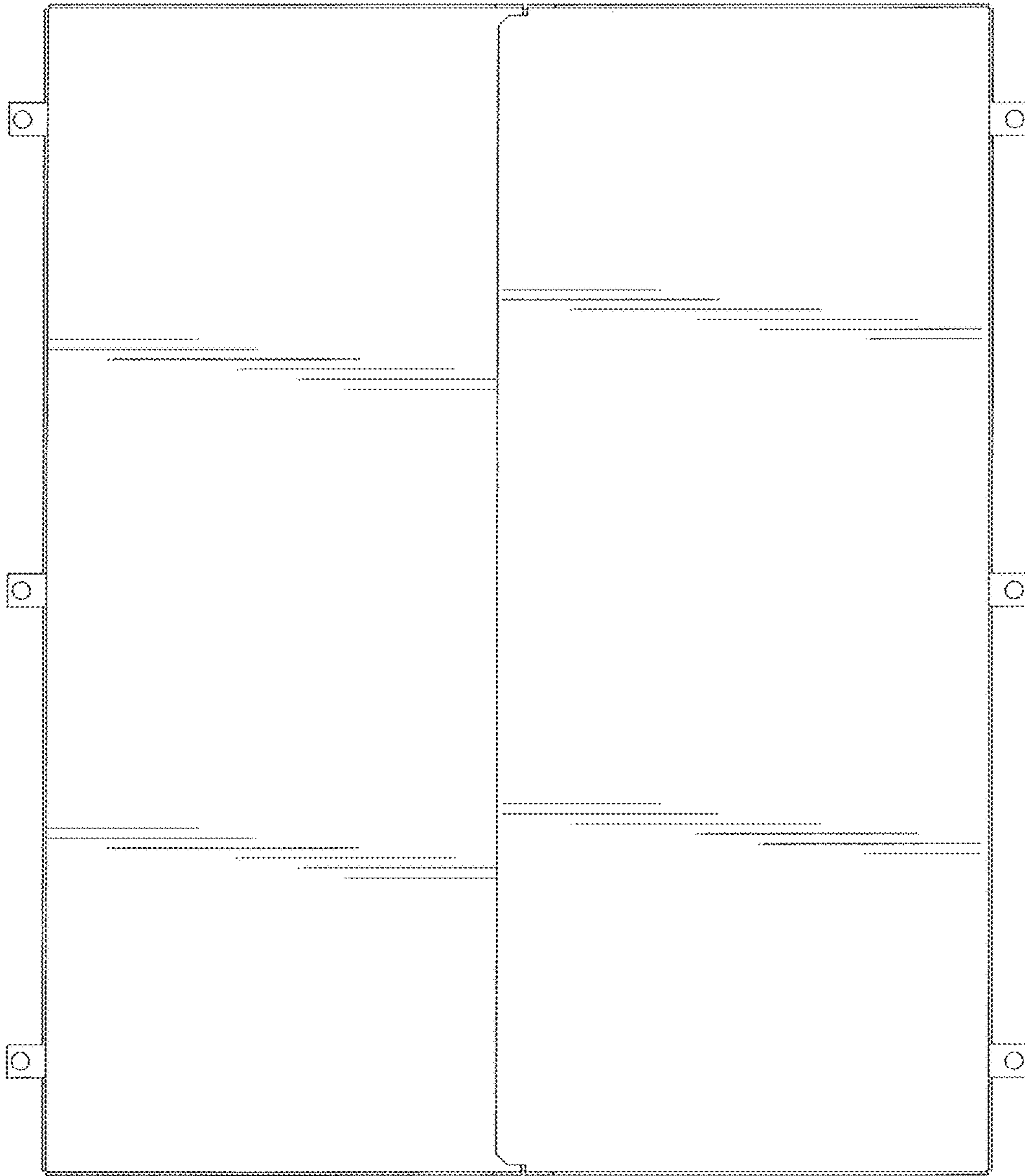


Fig. 6

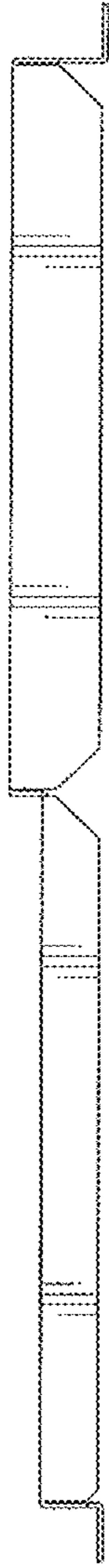


Fig. 7



Fig. 8

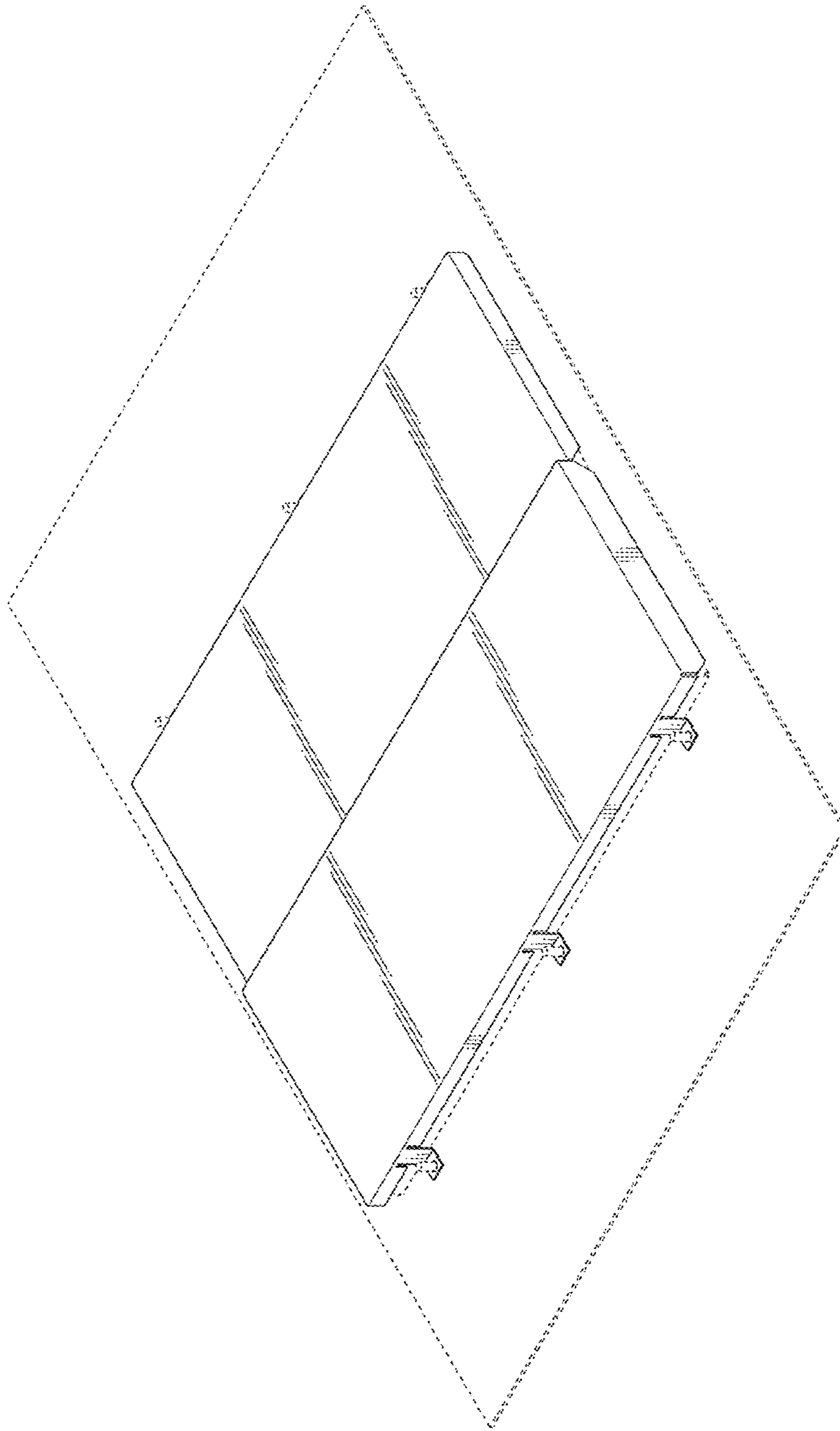
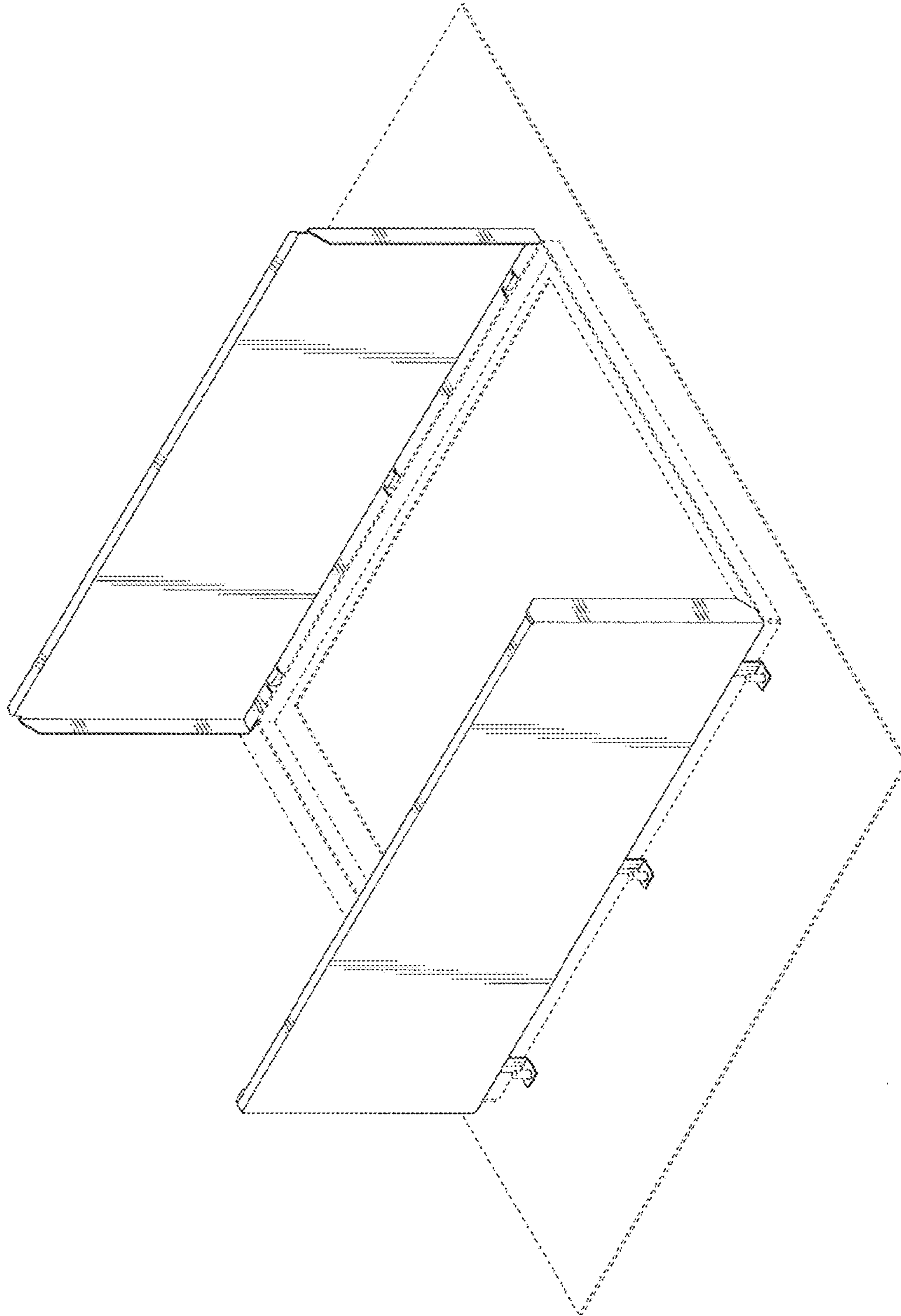


Fig. 9



UNITED STATES PATENT AND TRADEMARK OFFICE
CERTIFICATE OF CORRECTION

PATENT NO. : D810,904 S
APPLICATION NO. : 29/583384
DATED : February 20, 2018
INVENTOR(S) : Kenichiro Omote et al.

Page 1 of 1

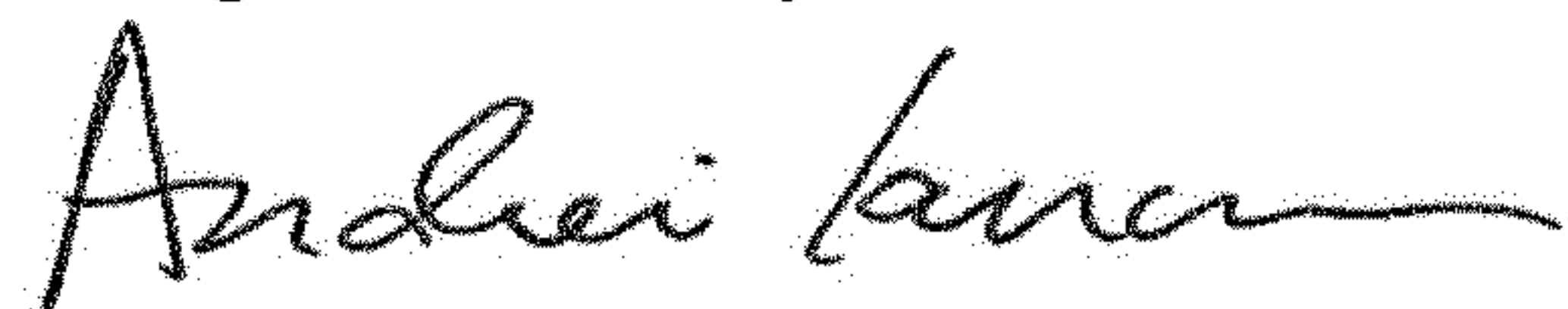
It is certified that error appears in the above-identified patent and that said Letters Patent is hereby corrected as shown below:

On the Title Page

Under Title, Item (54), Line 2:

Please delete "SUBSYTEM" and insert --SUBSYSTEM--

Signed and Sealed this
Eighteenth Day of June, 2019



Andrei Iancu
Director of the United States Patent and Trademark Office