



US00D810901S

(12) **United States Design Patent** (10) **Patent No.:** **US D810,901 S**
Matsunaga (45) **Date of Patent:** **** Feb. 20, 2018**

(54) **EXHAUST TUBE HOLDING MEMBER**

(71) Applicant: **NORITZ CORPORATION**, Hyogo (JP)

(72) Inventor: **Hironao Matsunaga**, Amagasaki (JP)

(73) Assignee: **NORITZ CORPORATION**, Hyogo (JP)

(**) Term: **15 Years**

(21) Appl. No.: **29/606,222**

(22) Filed: **Jun. 2, 2017**

Related U.S. Application Data

(62) Division of application No. 29/549,270, filed on Dec. 21, 2015.

(51) **LOC (11) Cl.** **23-03**

(52) **U.S. Cl.**
USPC **D23/322**

(58) **Field of Classification Search**
USPC D8/349, 356, 382, 354, 395, 396
CPC A47L 9/248; Y10T 24/14; Y10T 24/3444;
F23L 17/02; F23J 13/02
See application file for complete search history.

(56) **References Cited**

U.S. PATENT DOCUMENTS

1,452,492 A * 4/1923 Carpenter F16B 43/007
301/68
D252,246 S 7/1979 Christian
D308,160 S 5/1990 Sweeny et al.
D320,200 S * 9/1991 Kirwan D14/453
D344,449 S 2/1994 Ward
D392,874 S * 3/1998 Nakamura D8/356
D410,968 S 6/1999 Swan et al.
D417,390 S 12/1999 Hofman
6,065,779 A 5/2000 Moner
D507,475 S * 7/2005 Phillips D8/349

D564,351 S 3/2008 Leclerc
D592,508 S 5/2009 Perignon
D611,333 S 3/2010 Sanders
D625,183 S 10/2010 Bartsch et al.
D631,326 S * 1/2011 Burns D8/354
D639,653 S 6/2011 Kanda et al.
D679,572 S * 4/2013 Attaway D8/349
D687,702 S 8/2013 Yates
D704,043 S 5/2014 Gledhill et al.
D718,116 S * 11/2014 Taing D8/349
D756,766 S 5/2016 Orwin
D770,872 S 11/2016 Gledhill et al.
2017/0122556 A1 * 5/2017 Matsunaga F23J 13/02

* cited by examiner

Primary Examiner — Sheryl Lane

Assistant Examiner — Calvin E Vansant

(74) *Attorney, Agent, or Firm* — Studebaker & Brackett PC

(57) **CLAIM**

The ornamental design for an exhaust tube holding member, as shown and described.

DESCRIPTION

FIG. 1 is a front view of an exhaust tube holding member for holding an exhaust tube which is connected to a combustion apparatus and introduced into an exhaust pipe, in accordance with the present design;
 FIG. 2 is a rear view thereof;
 FIG. 3 is a top plan view thereof;
 FIG. 4 is a bottom plan view thereof;
 FIG. 5 is a right side view thereof;
 FIG. 6 is a left side view thereof;
 FIG. 7 is a first top perspective view thereof;
 FIG. 8 is a second top perspective view thereof;
 FIG. 9 is a first bottom perspective view thereof;
 FIG. 10 is a second bottom perspective view thereof; and,
 FIG. 11 is a sectional view taken along line 11-11 of FIG. 3.

1 Claim, 5 Drawing Sheets

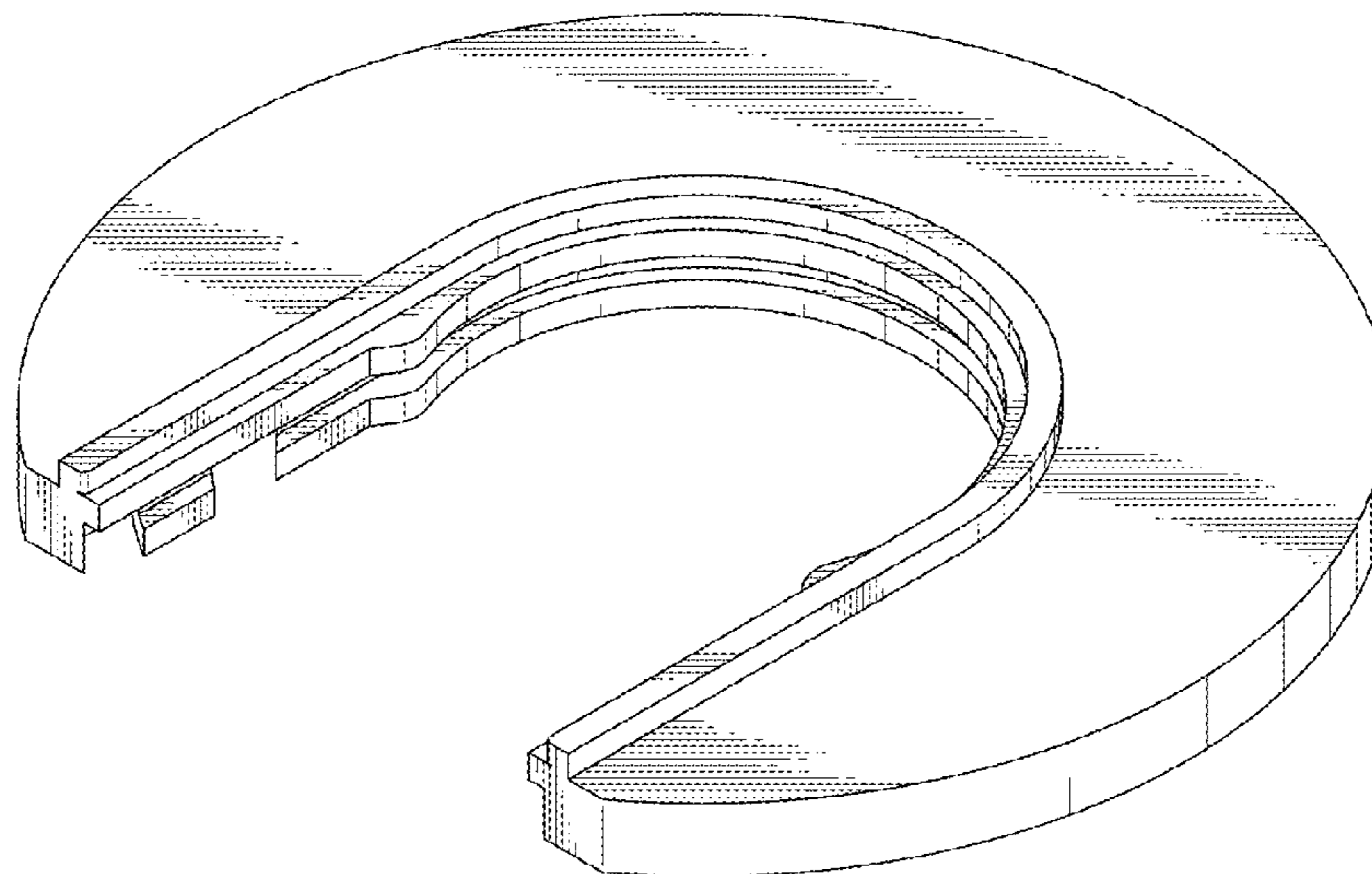


FIG.1

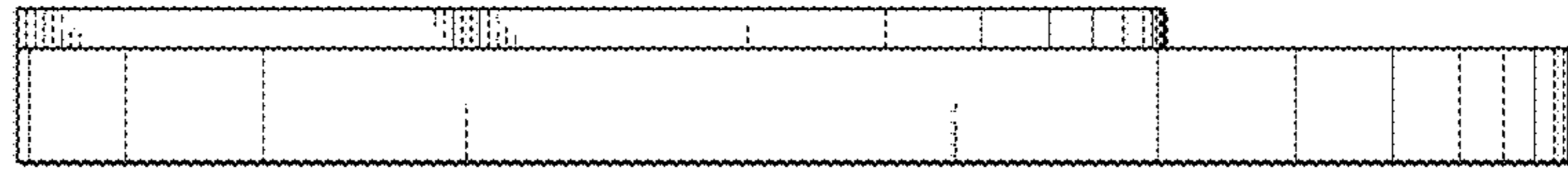


FIG.2

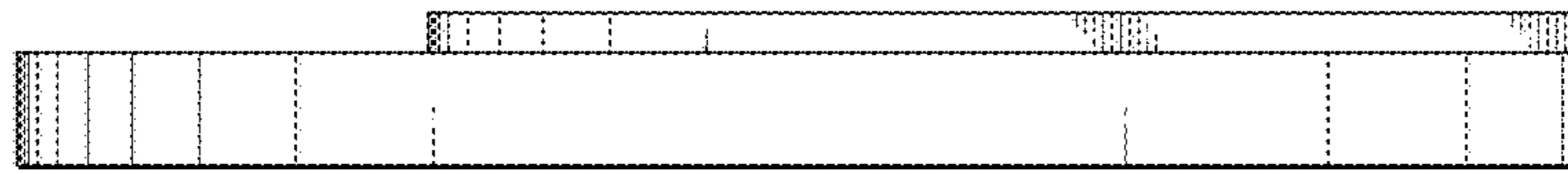


FIG.3.

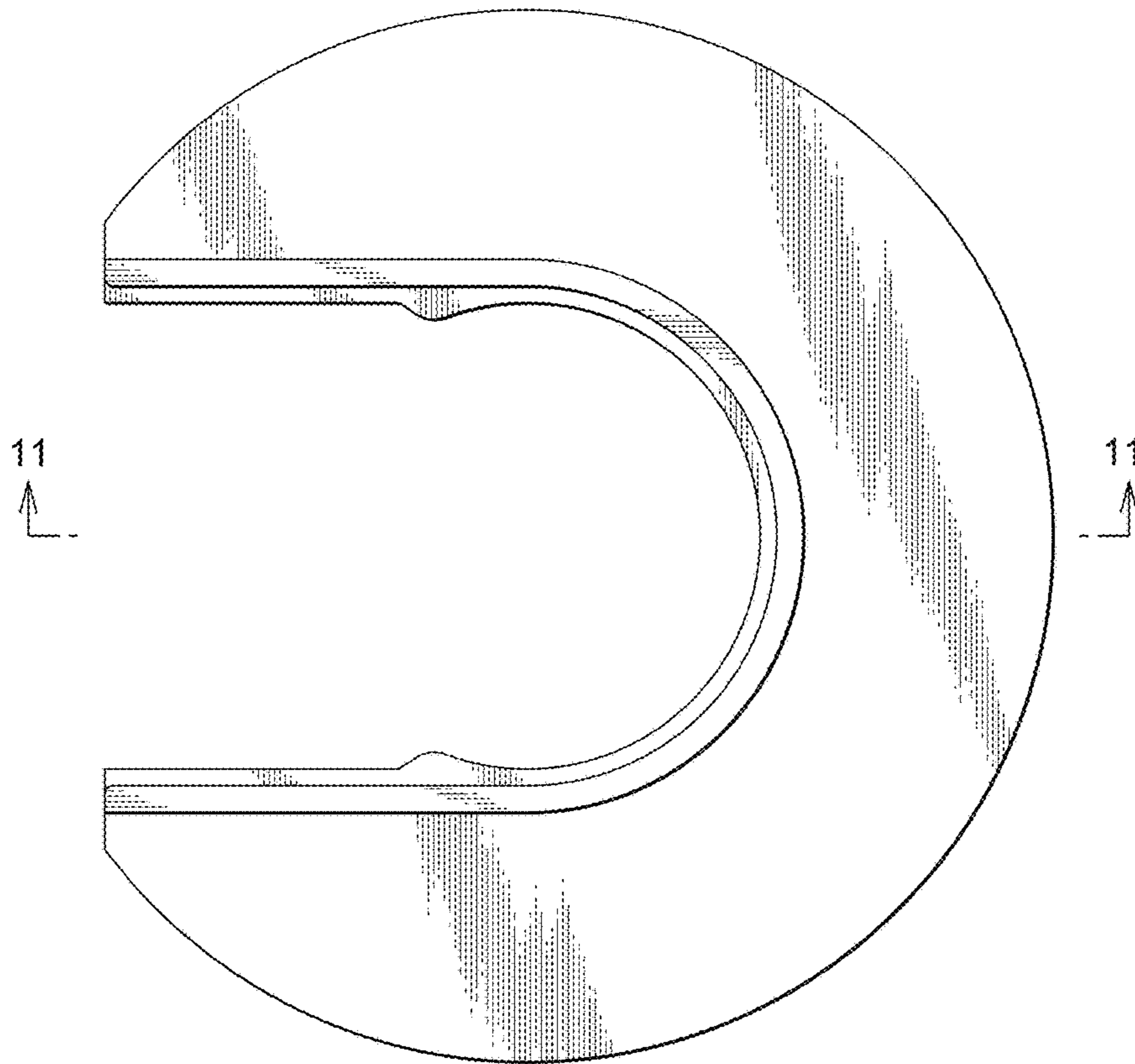


FIG.4

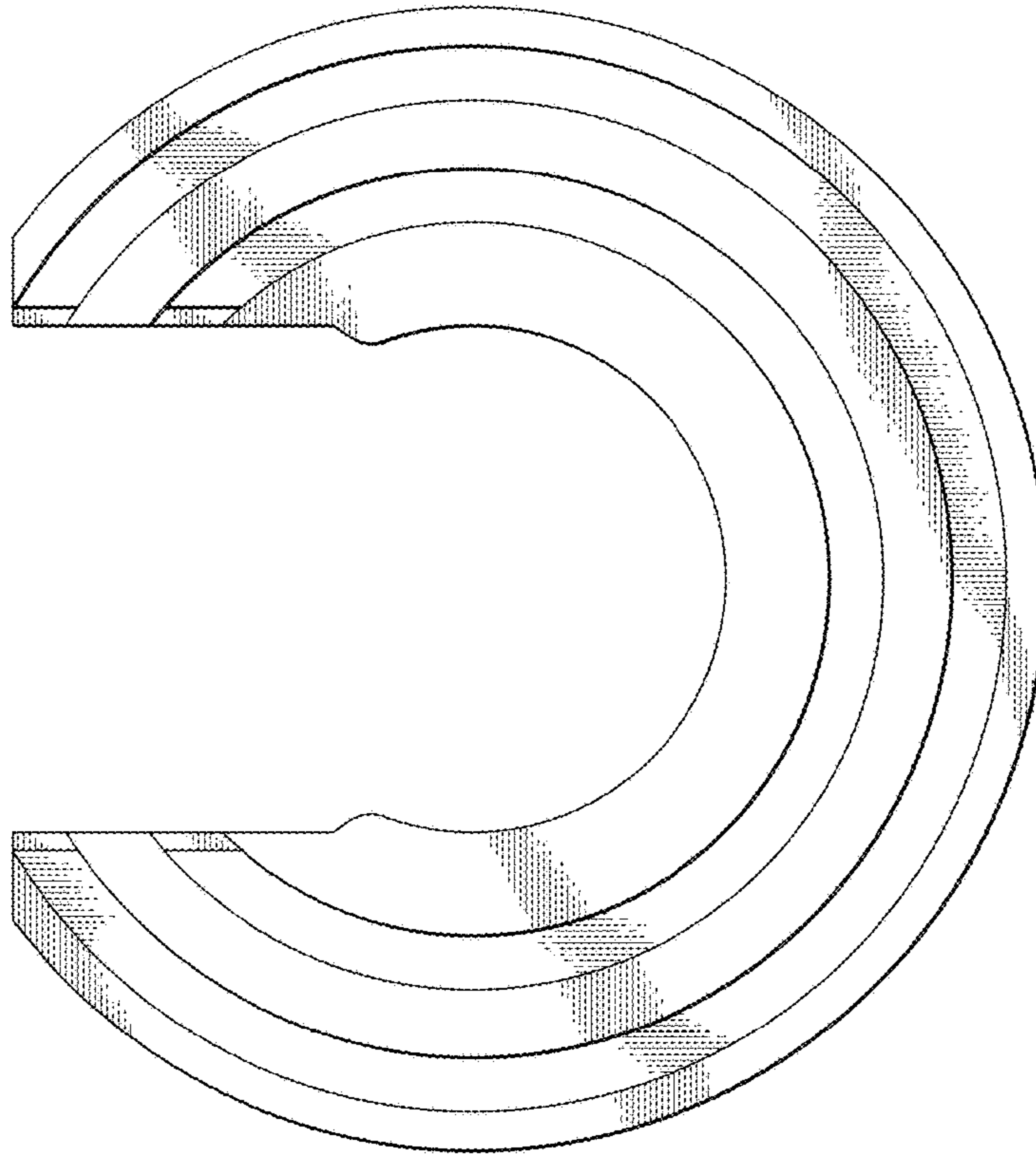


FIG.5

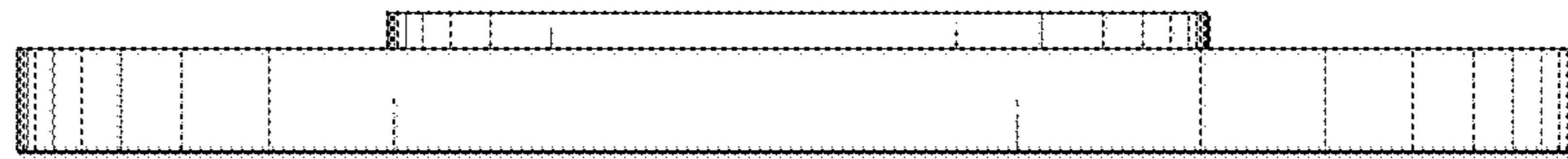


FIG.6



FIG.7

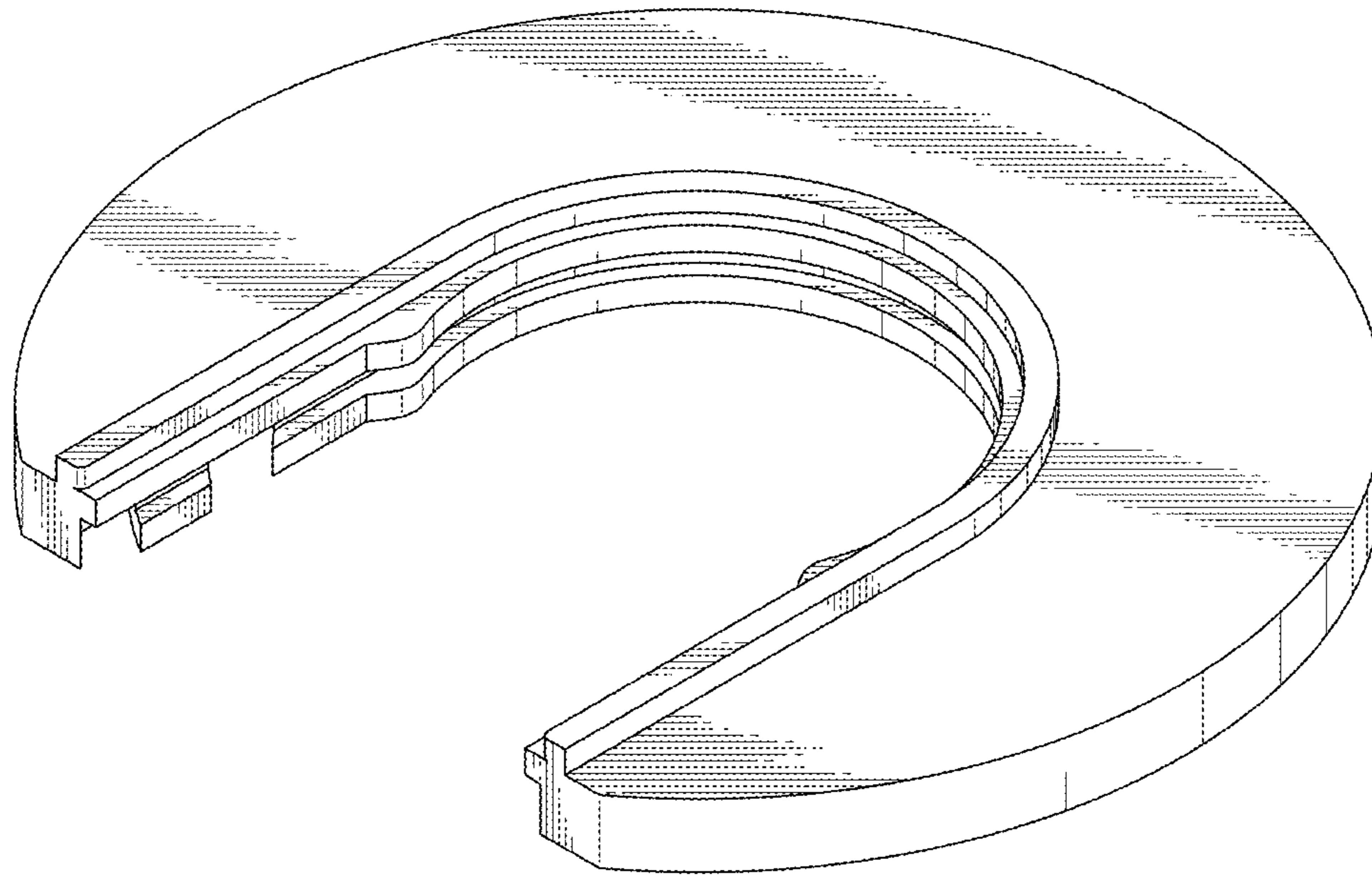


FIG.8

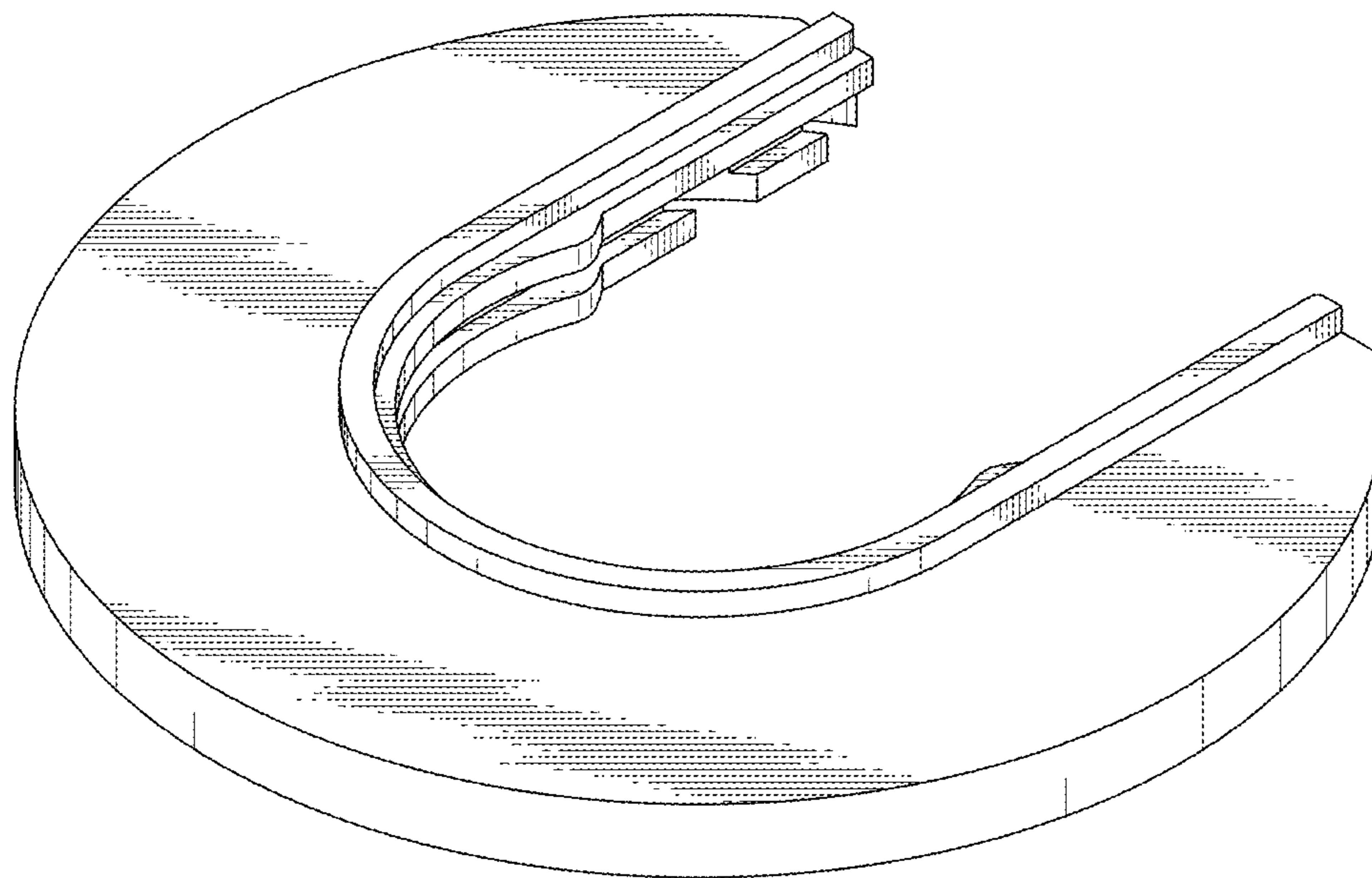


FIG.9

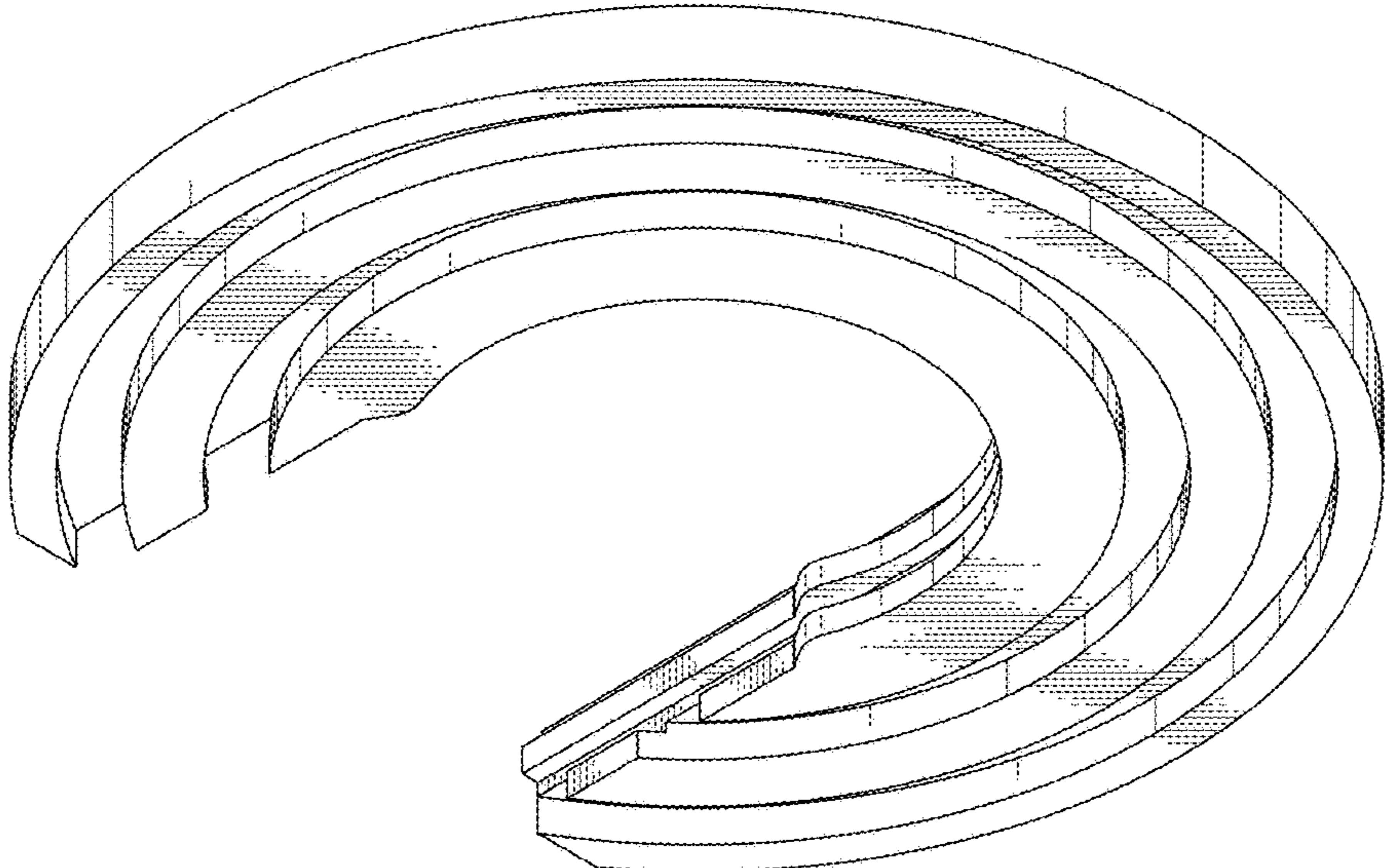


FIG.10

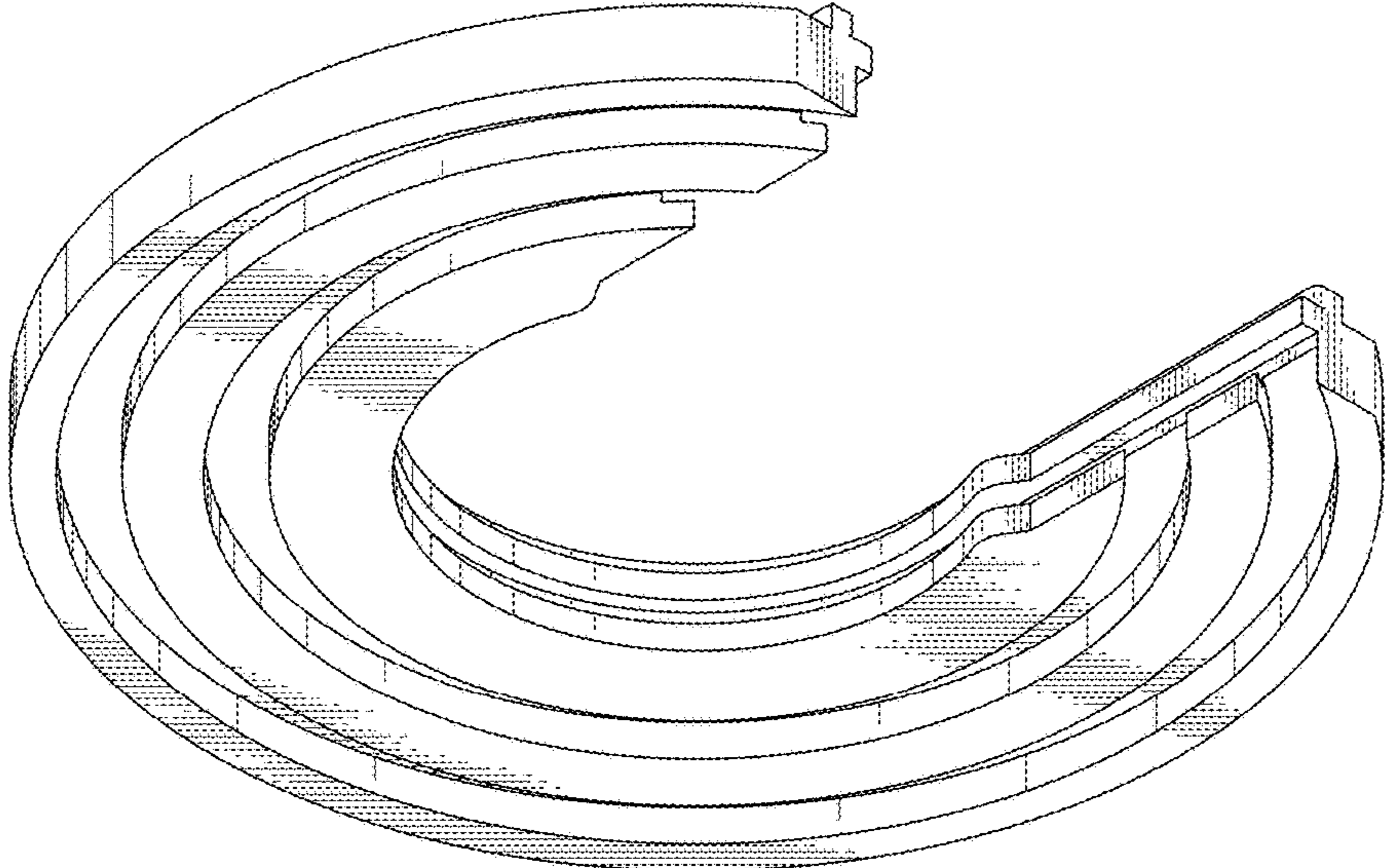


FIG.11

