



US00D810900S

(12) **United States Design Patent**
Kitamura et al.

(10) **Patent No.:** **US D810,900 S**

(45) **Date of Patent:** **** Feb. 20, 2018**

(54) **WATER CLOSET**

(71) Applicant: **TOTO, Ltd.**, Kitakyushu-shi, Fukuoka (JP)

(72) Inventors: **Masaki Kitamura**, Kitakyushu (JP);
Shu Kashirajima, Kitakyushu (JP);
Yuki Shimokawa, Kitakyushu (JP);
Yuji Yoshioka, Kitakyushu (JP);
Hiroataka Nakabayashi, Kitakyushu (JP)

(73) Assignee: **TOTO, Ltd.**, Kitakyushu-shi, Fukuoka (JP)

(**) Term: **15 Years**

(21) Appl. No.: **29/566,779**

(22) Filed: **Jun. 2, 2016**

(30) **Foreign Application Priority Data**

Dec. 2, 2015 (JP) 2015-026942
Dec. 2, 2015 (JP) 2015-026944
Dec. 2, 2015 (JP) 2015-026946

(51) **LOC (11) Cl.** **23-02**

(52) **U.S. Cl.**
USPC **D23/309**

(58) **Field of Classification Search**
USPC D23/295–301, 303, 309, 313
CPC A47K 11/02; A47K 11/026
See application file for complete search history.

(56) **References Cited**

U.S. PATENT DOCUMENTS

D556,300 S * 11/2007 Lin D23/295
D654,576 S * 2/2012 Cornille D23/300

D654,993 S * 2/2012 Ando D23/301
D672,852 S * 12/2012 Inoue D23/309
D672,853 S * 12/2012 Inoue D23/309
D693,910 S * 11/2013 Bates D23/295

* cited by examiner

Primary Examiner — Robert M. Spear

(74) *Attorney, Agent, or Firm* — Banner & Witcoff, Ltd.

(57) **CLAIM**

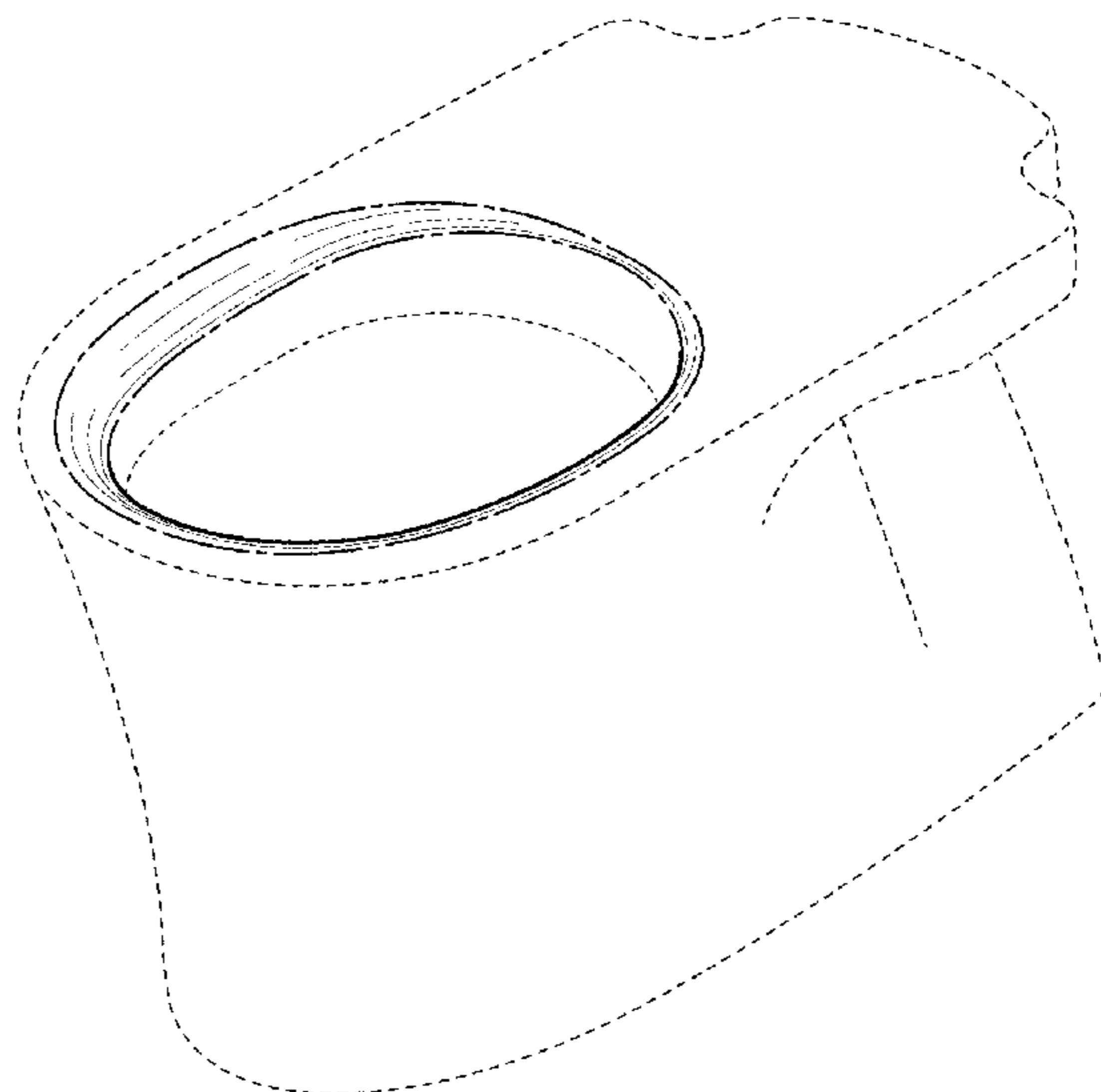
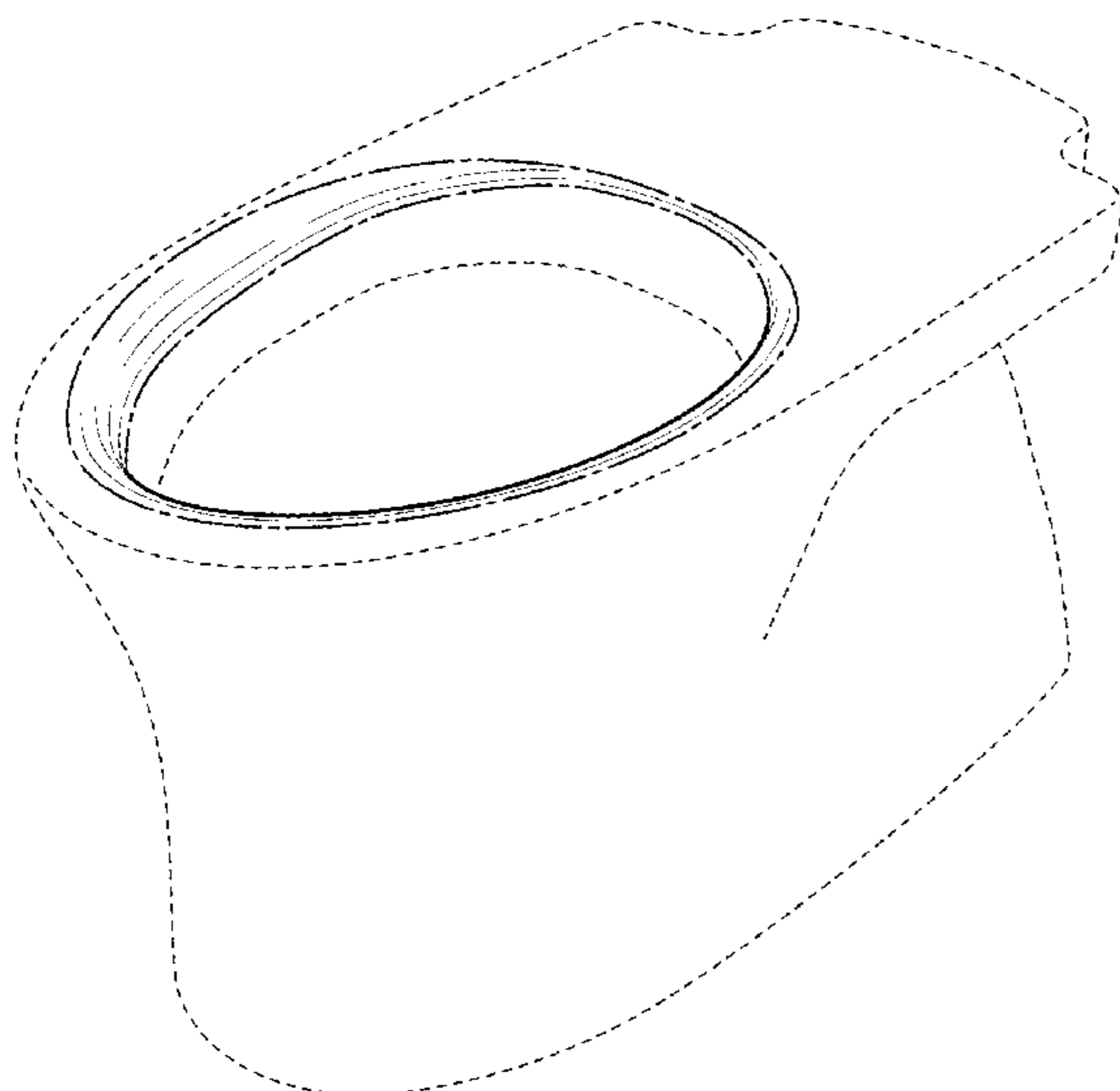
The ornamental design for a water closet, as shown and described.

DESCRIPTION

FIG. 1 is a perspective view of a first embodiment of a water closet showing our new design;
FIG. 2 is a front view thereof;
FIG. 3 is a rear view thereof;
FIG. 4 is a left side view thereof;
FIG. 5 is a right side view thereof;
FIG. 6 is a top view thereof;
FIG. 7 is a bottom view thereof;
FIG. 8 is a perspective view of a second embodiment of a water closet showing our new design;
FIG. 9 is a front view thereof;
FIG. 10 is a rear view thereof;
FIG. 11 is a left side view thereof;
FIG. 12 is a right side view thereof;
FIG. 13 is a top view thereof; and,
FIG. 14 is a bottom view thereof.

The broken lines in the figures are included for the purpose of illustrating the unclaimed portions of the water closet and form no part of the claimed design. The dot-dash lines define the bounds of the claimed design and form no part thereof.

1 Claim, 8 Drawing Sheets



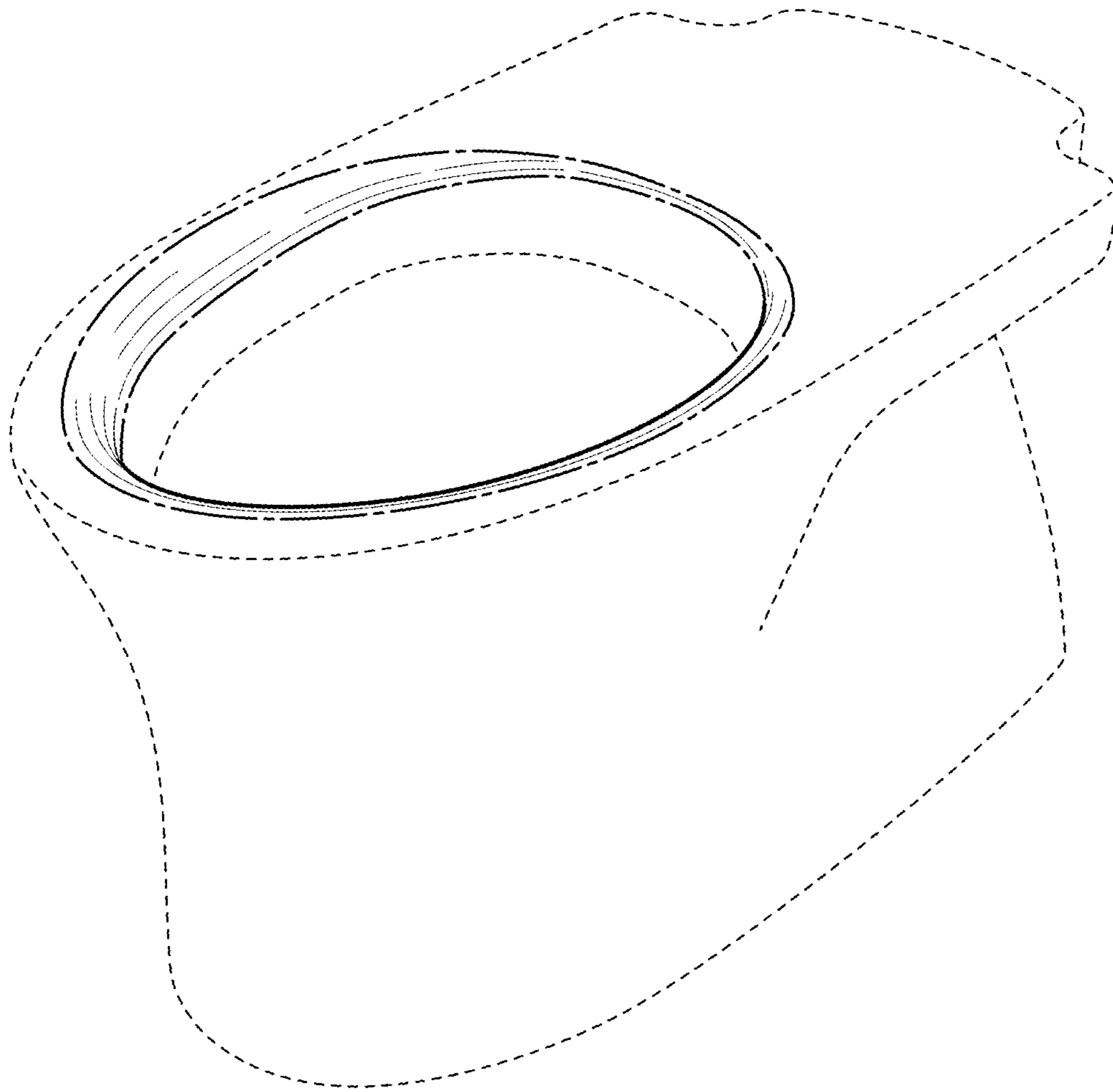


FIG. 1

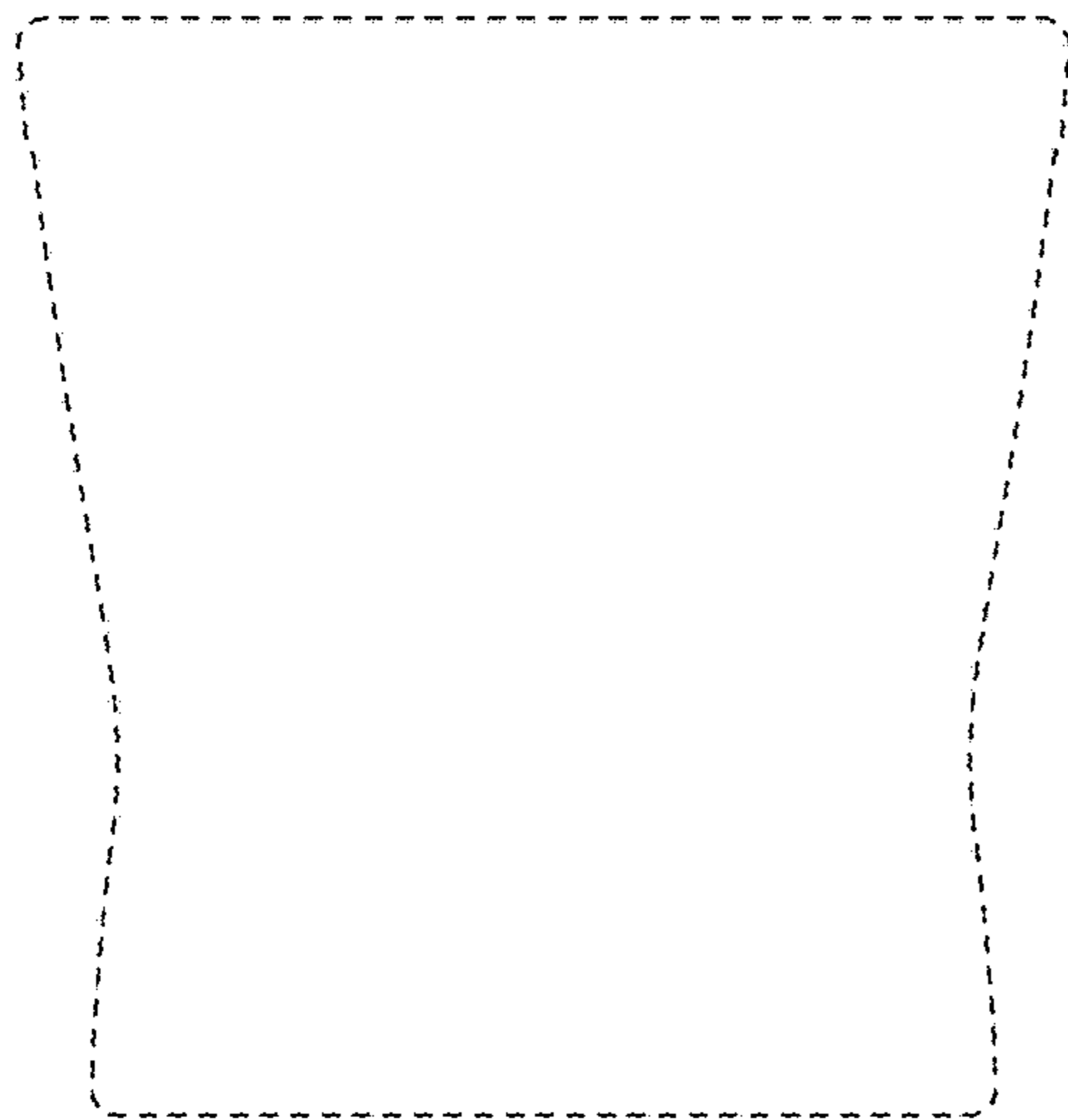


FIG. 2

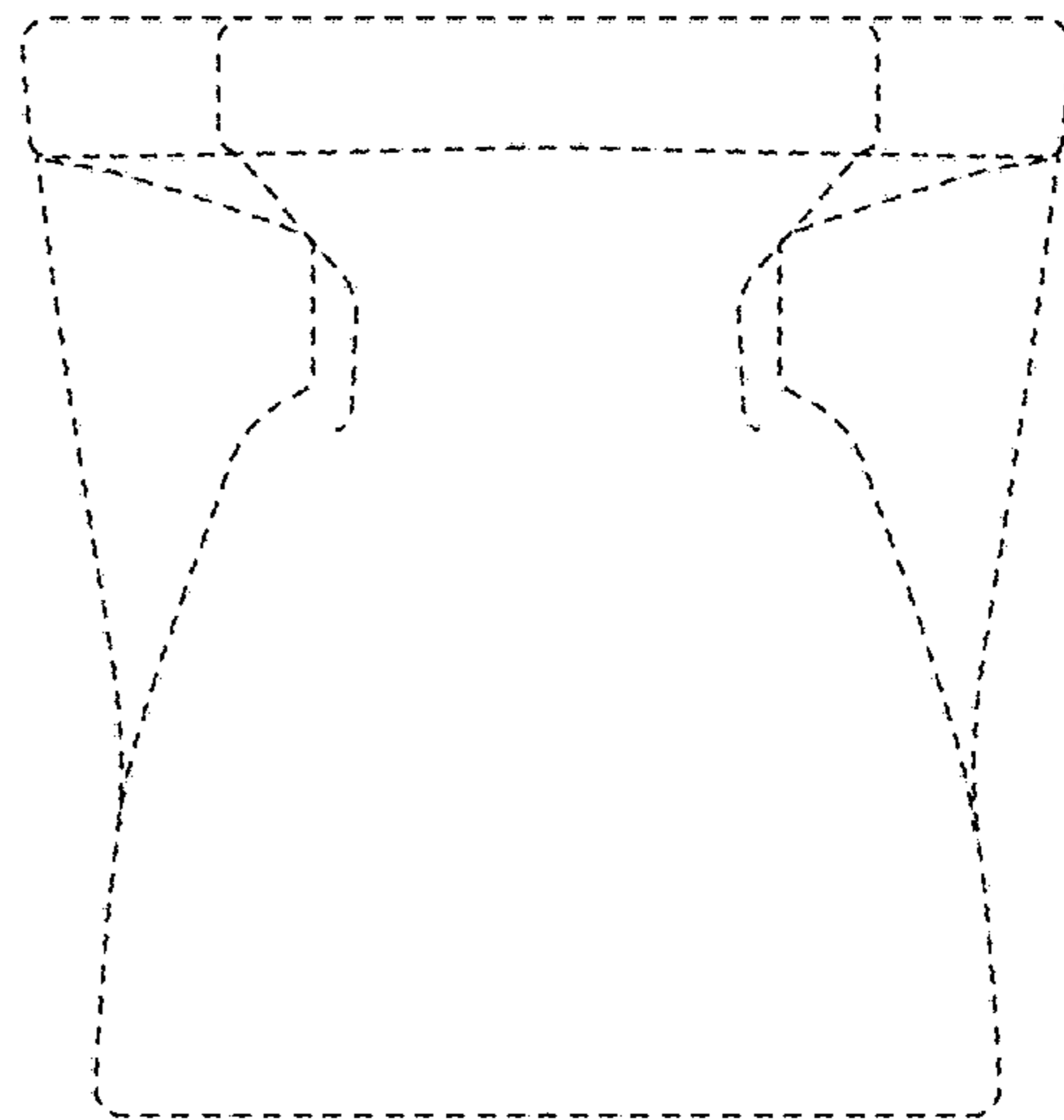


FIG. 3

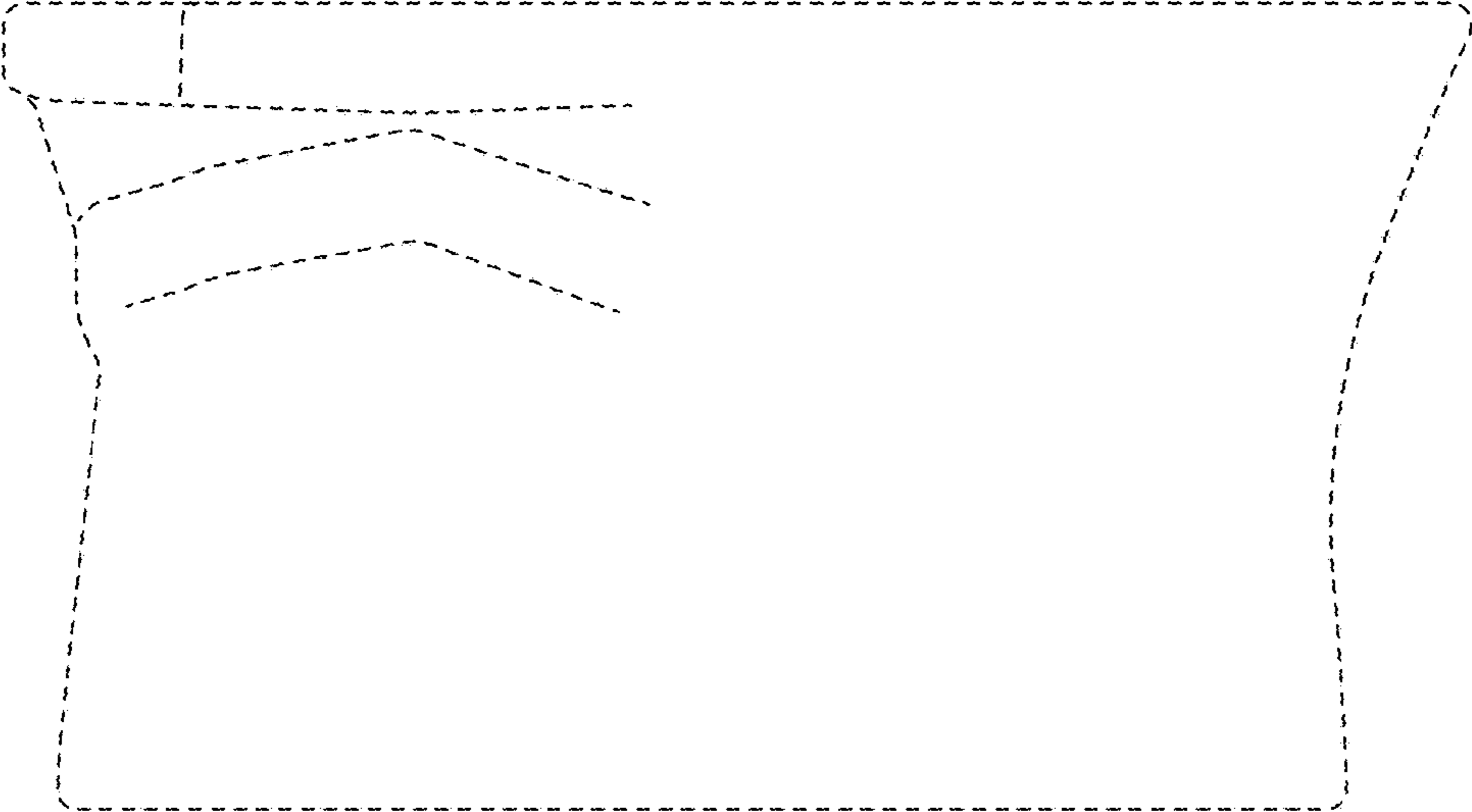


FIG. 4

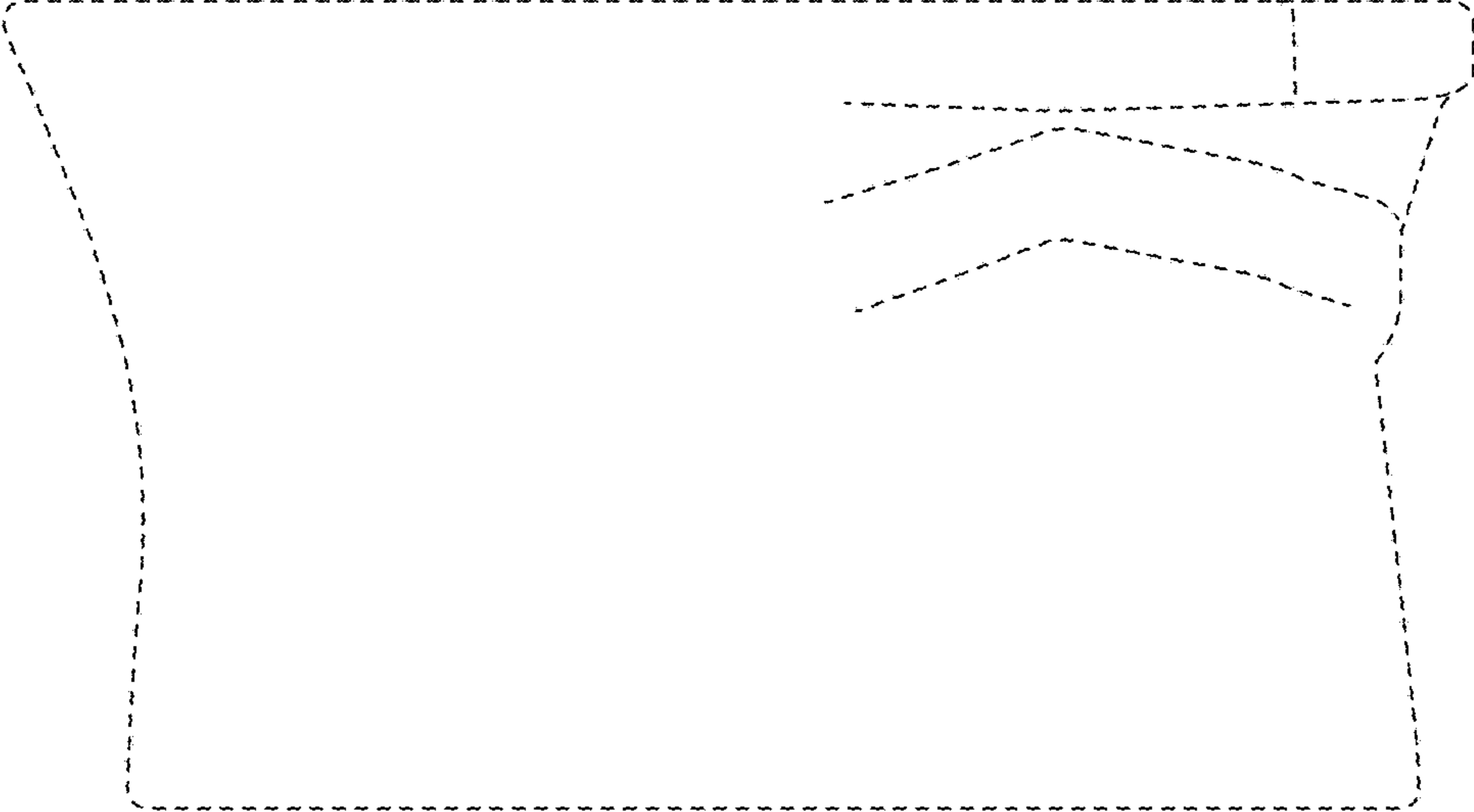


FIG. 5

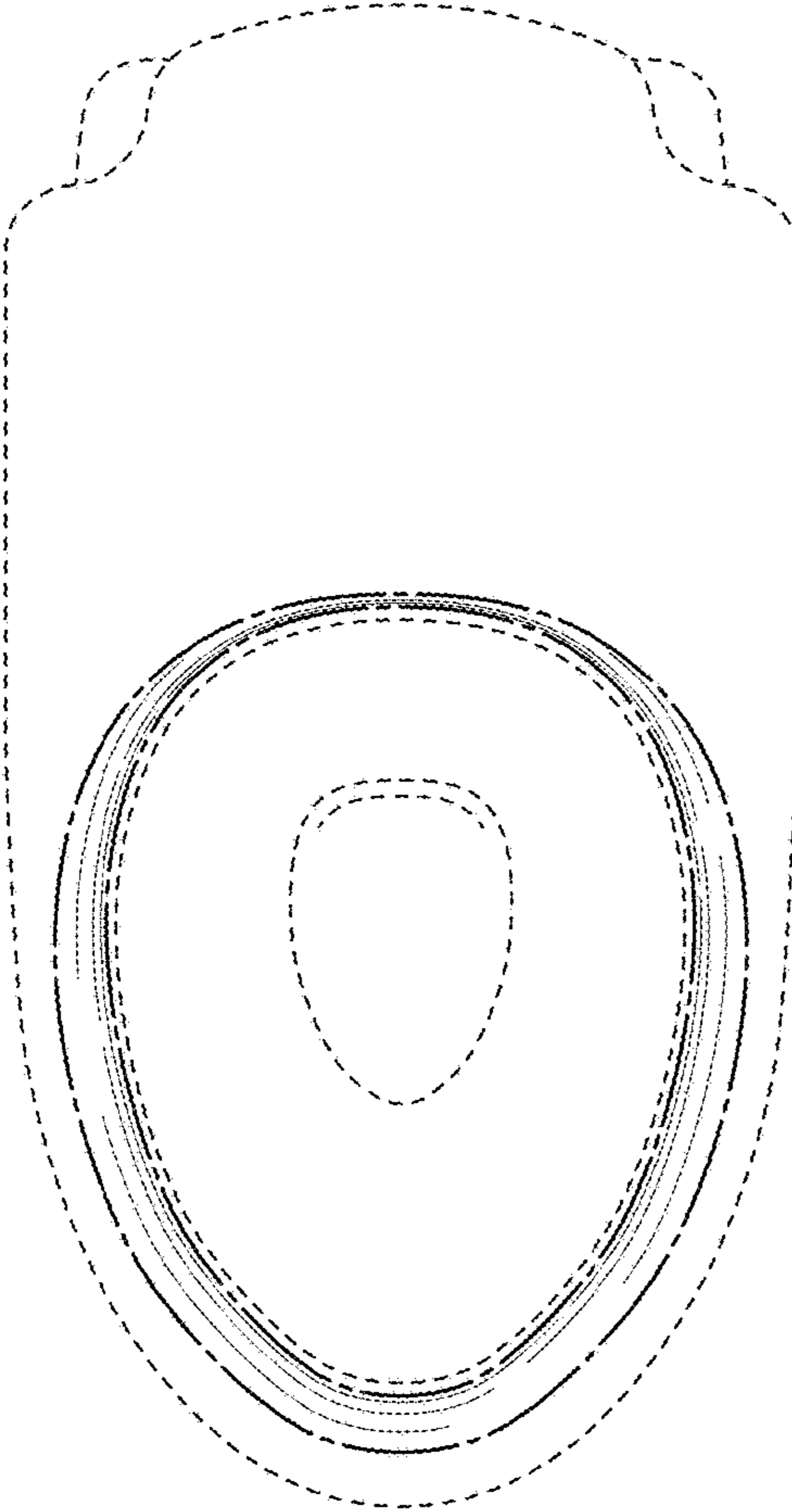


FIG. 6

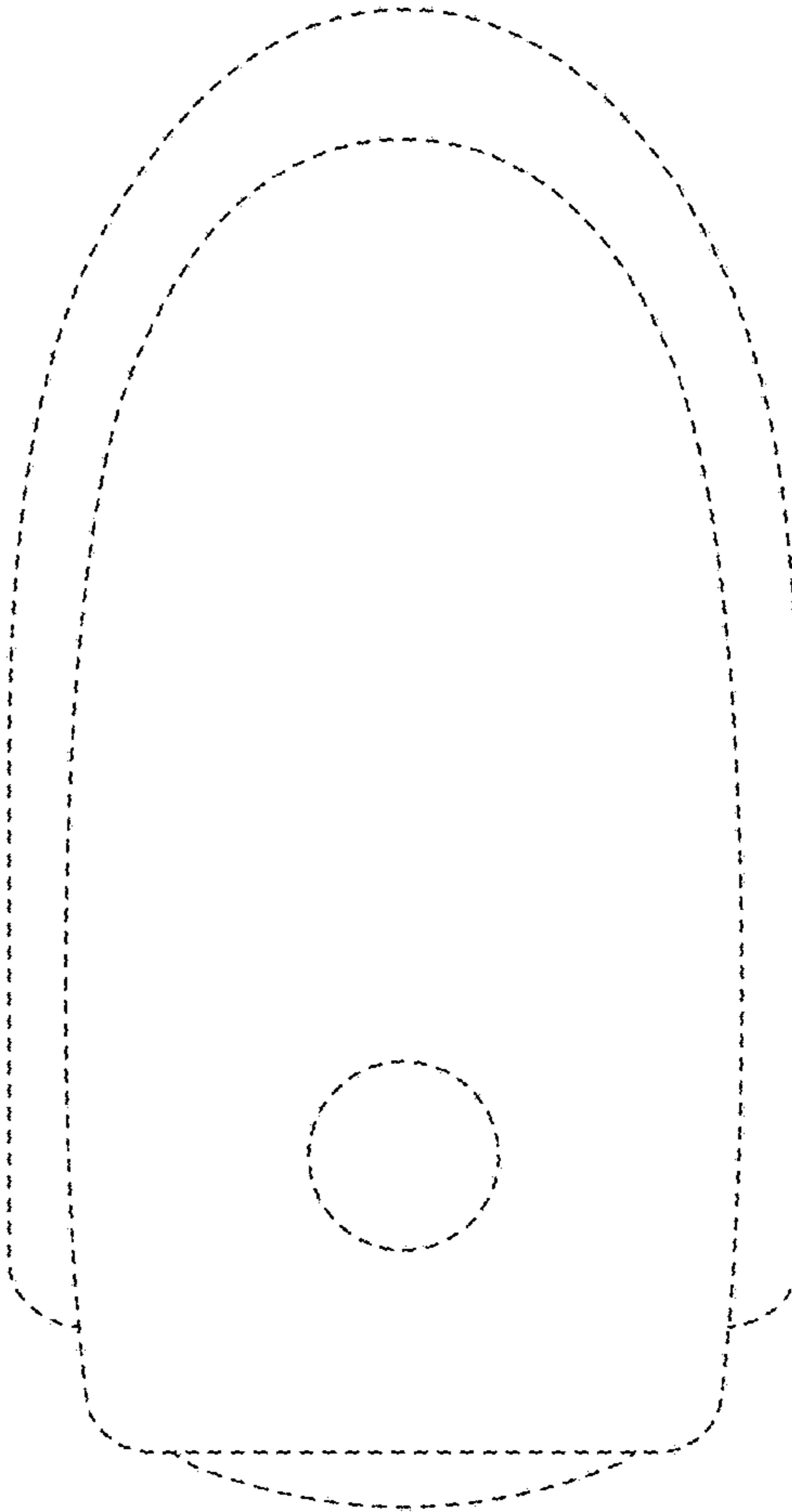


FIG. 7

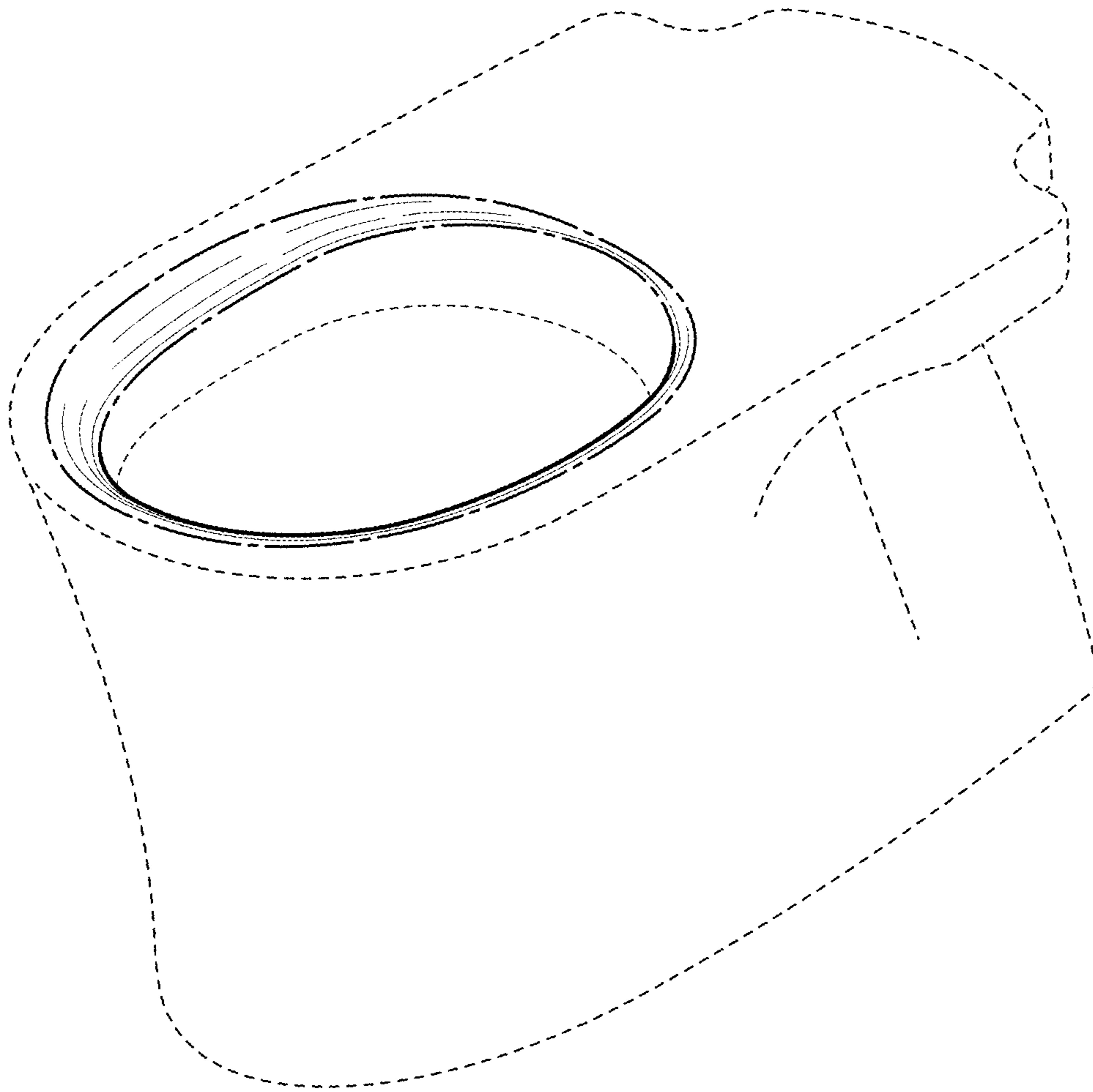


FIG. 8

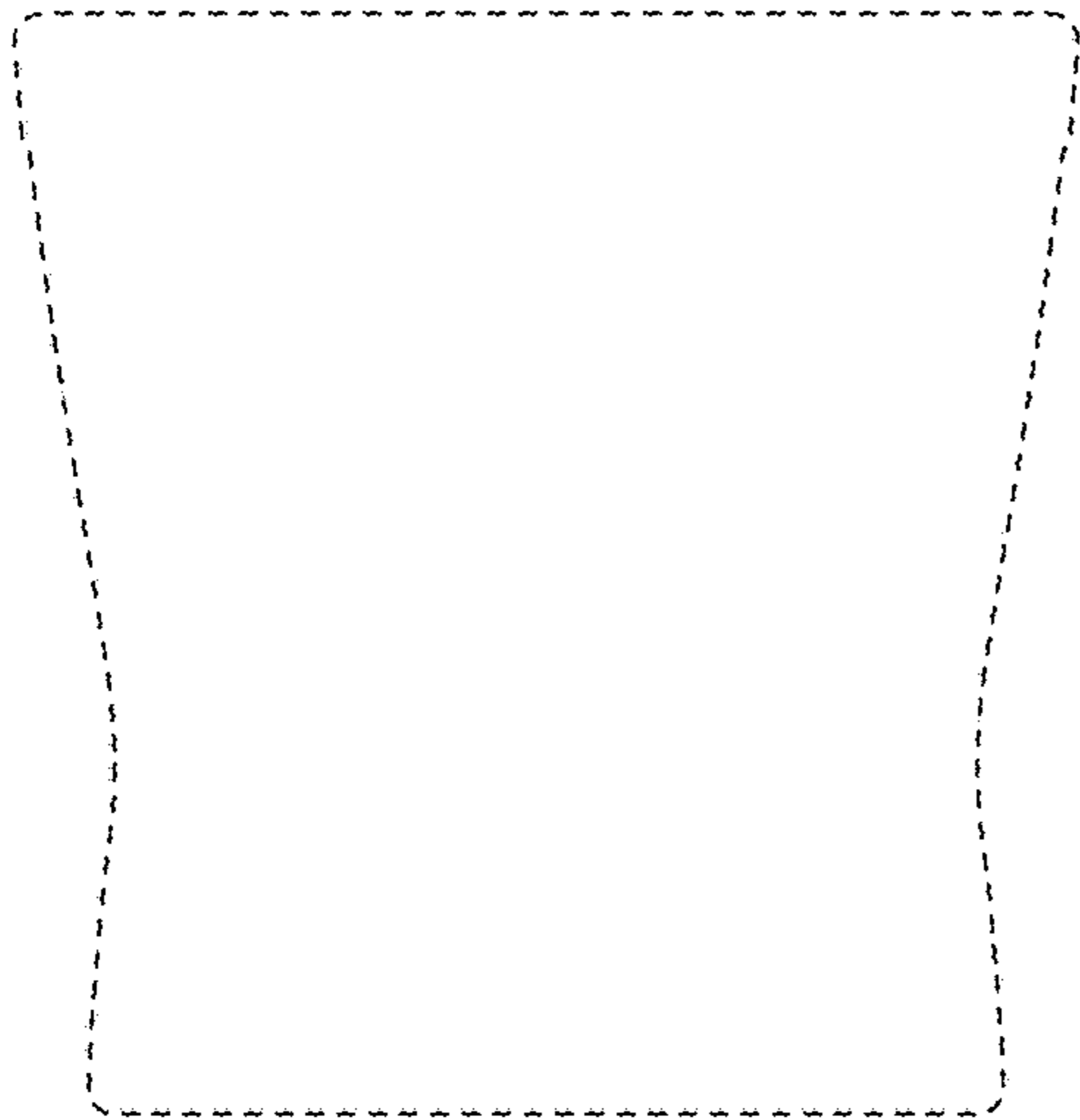


FIG. 9

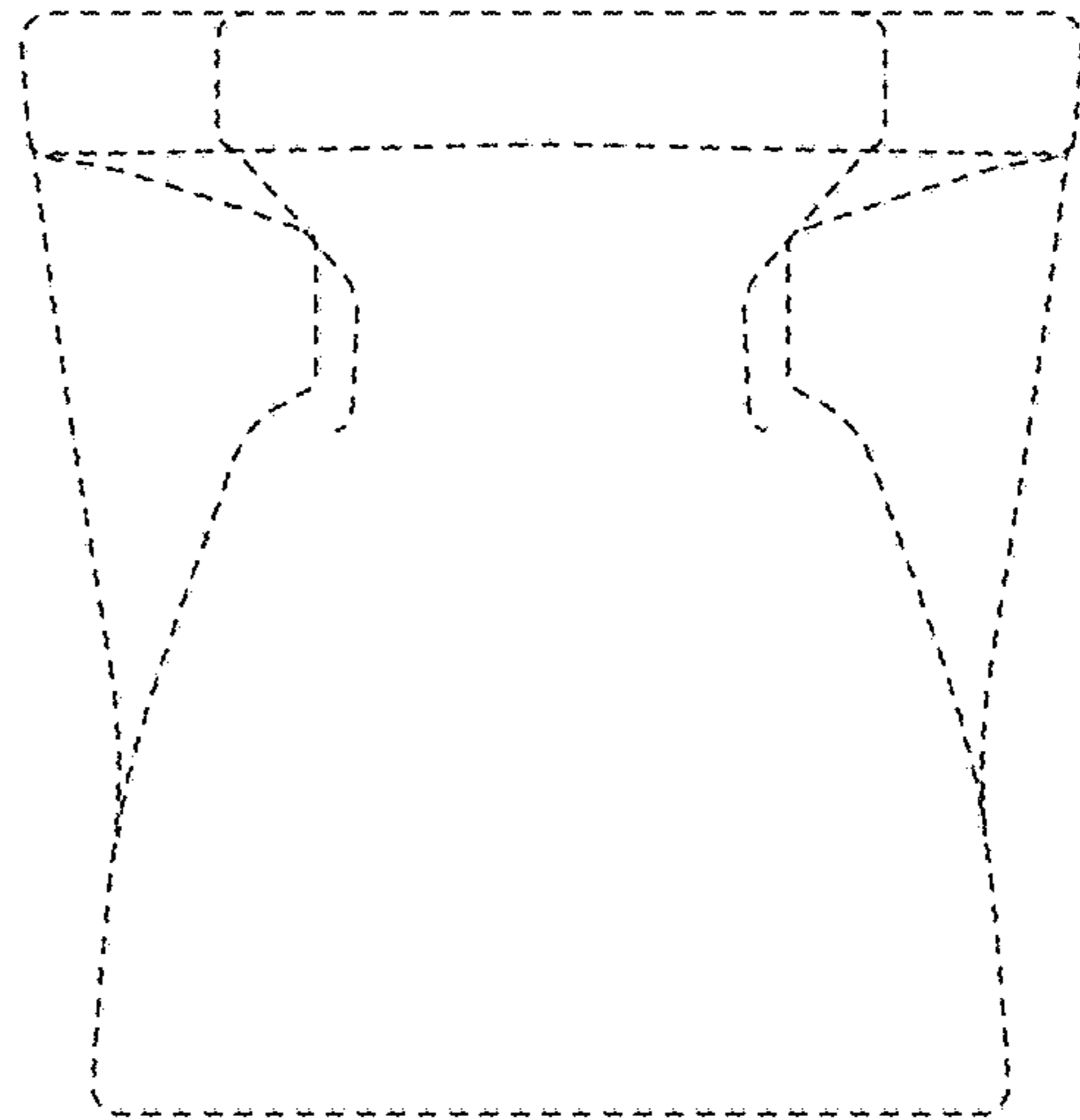


FIG. 10

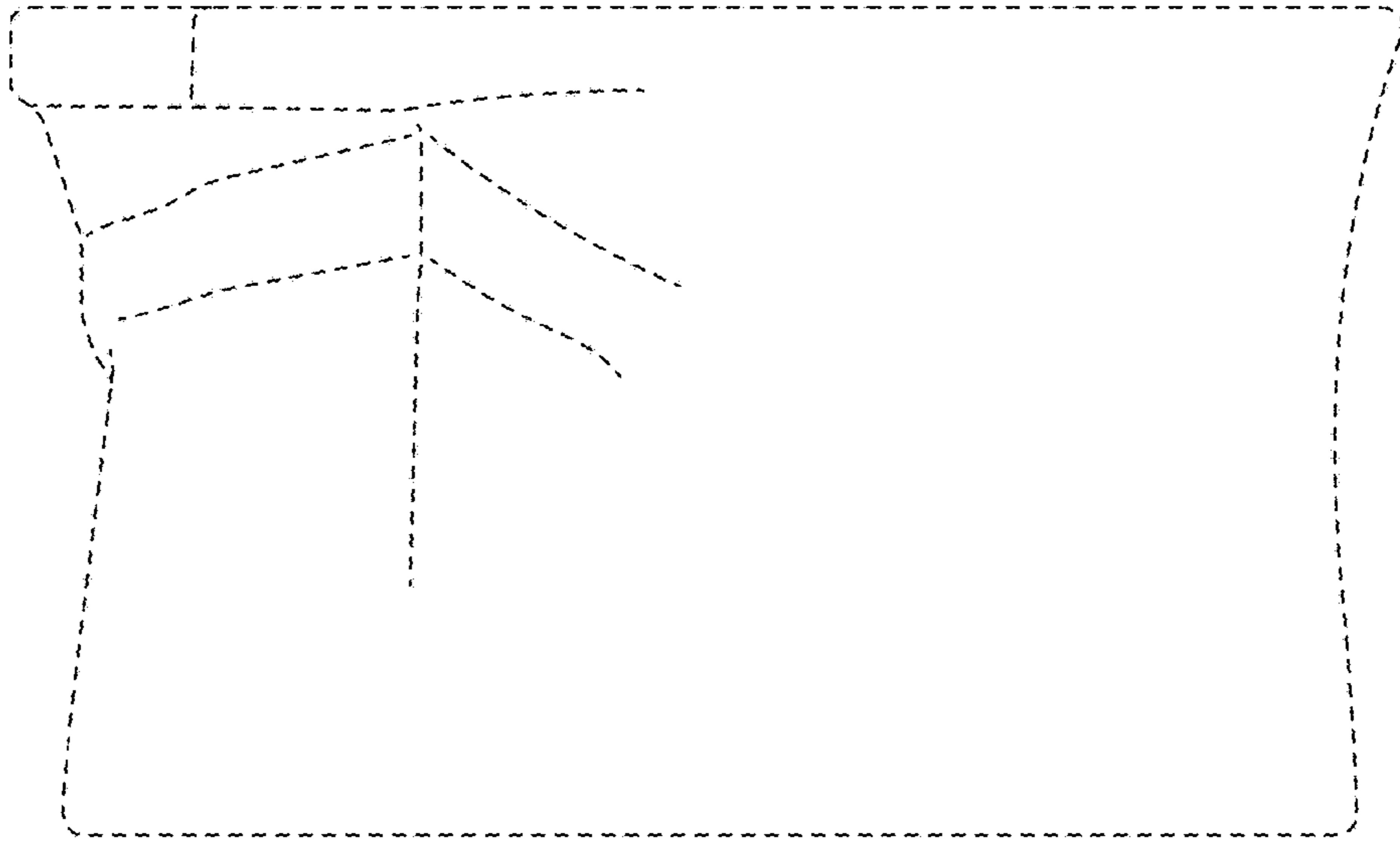


FIG. 11

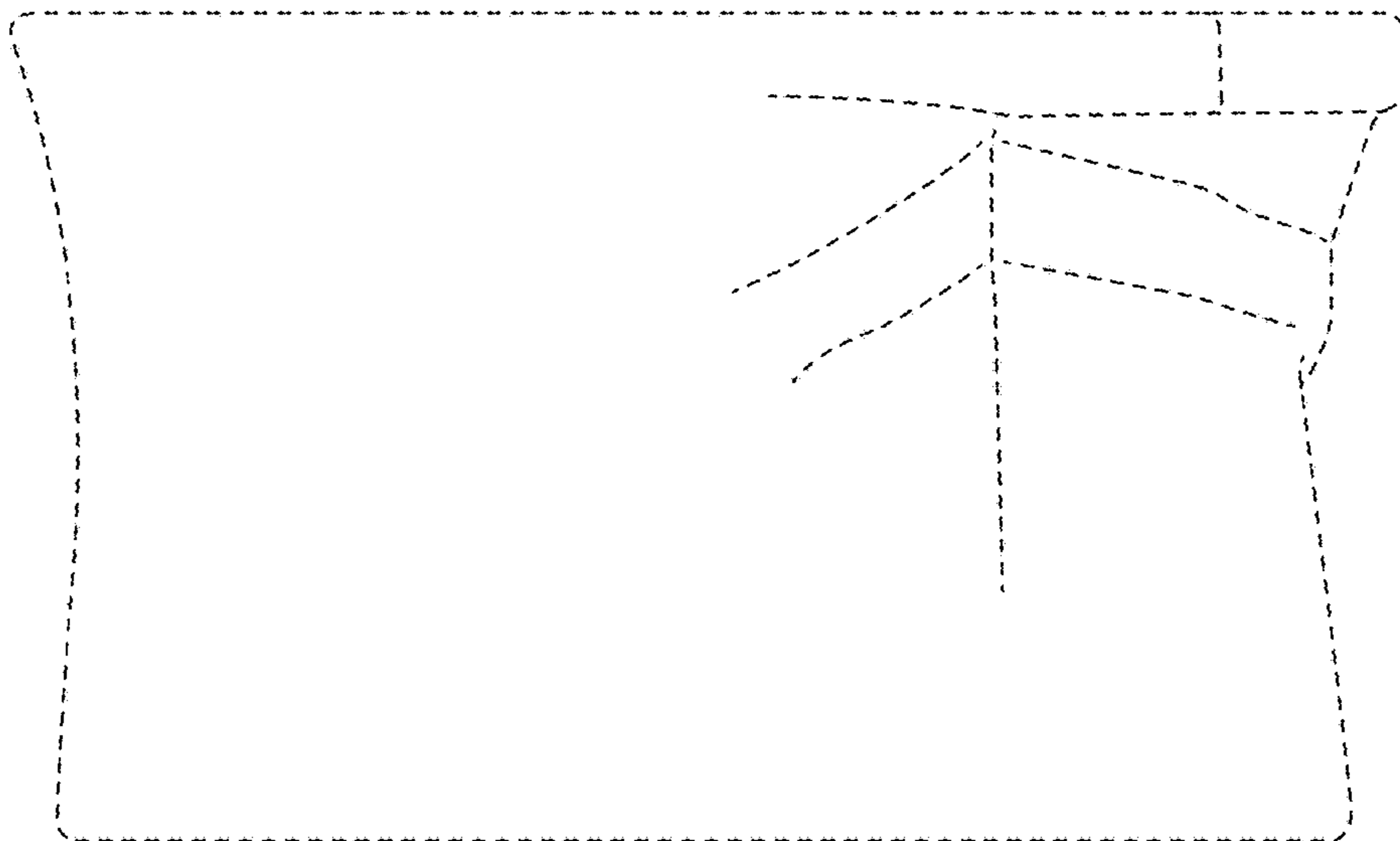


FIG. 12

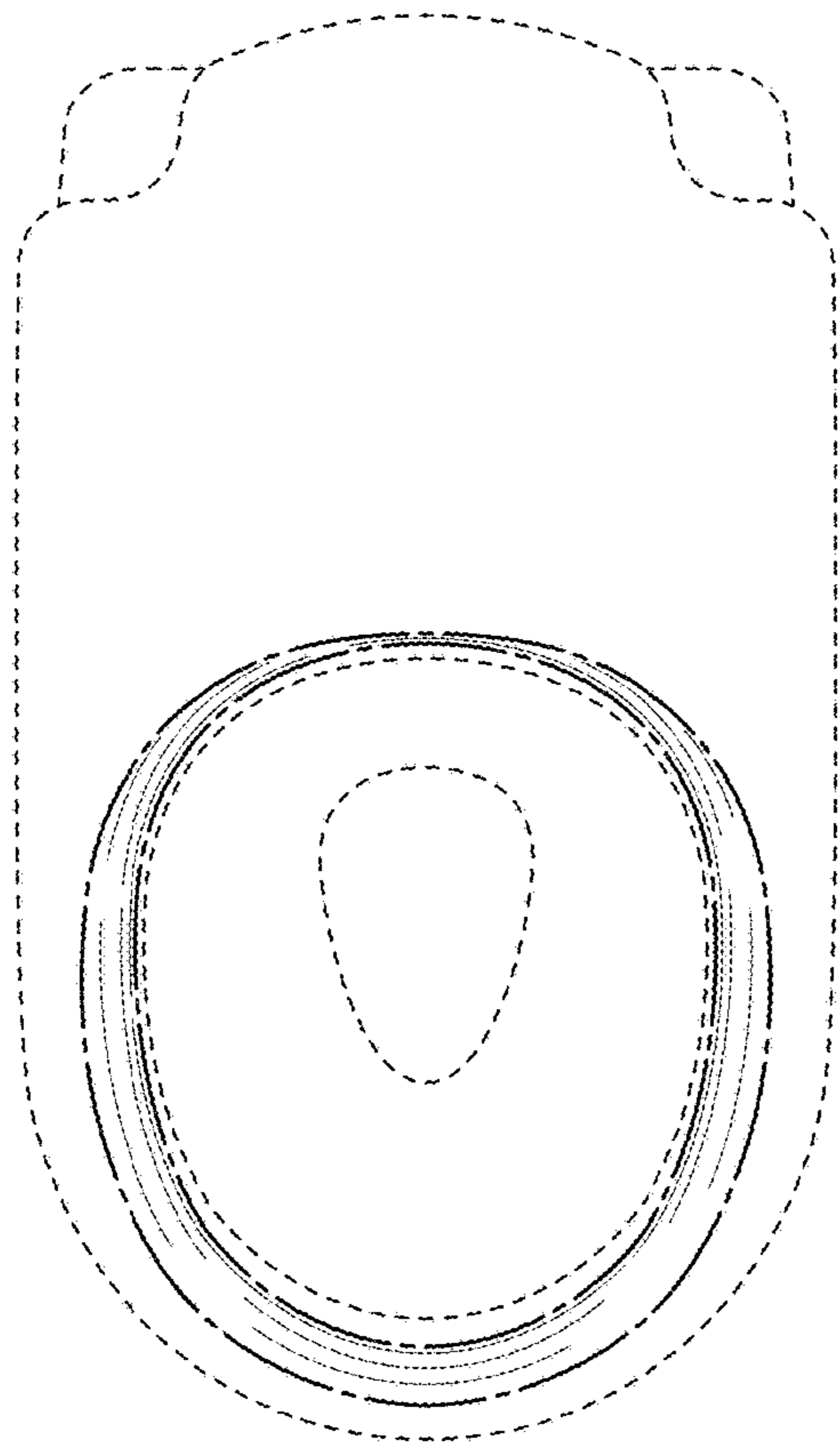


FIG. 13

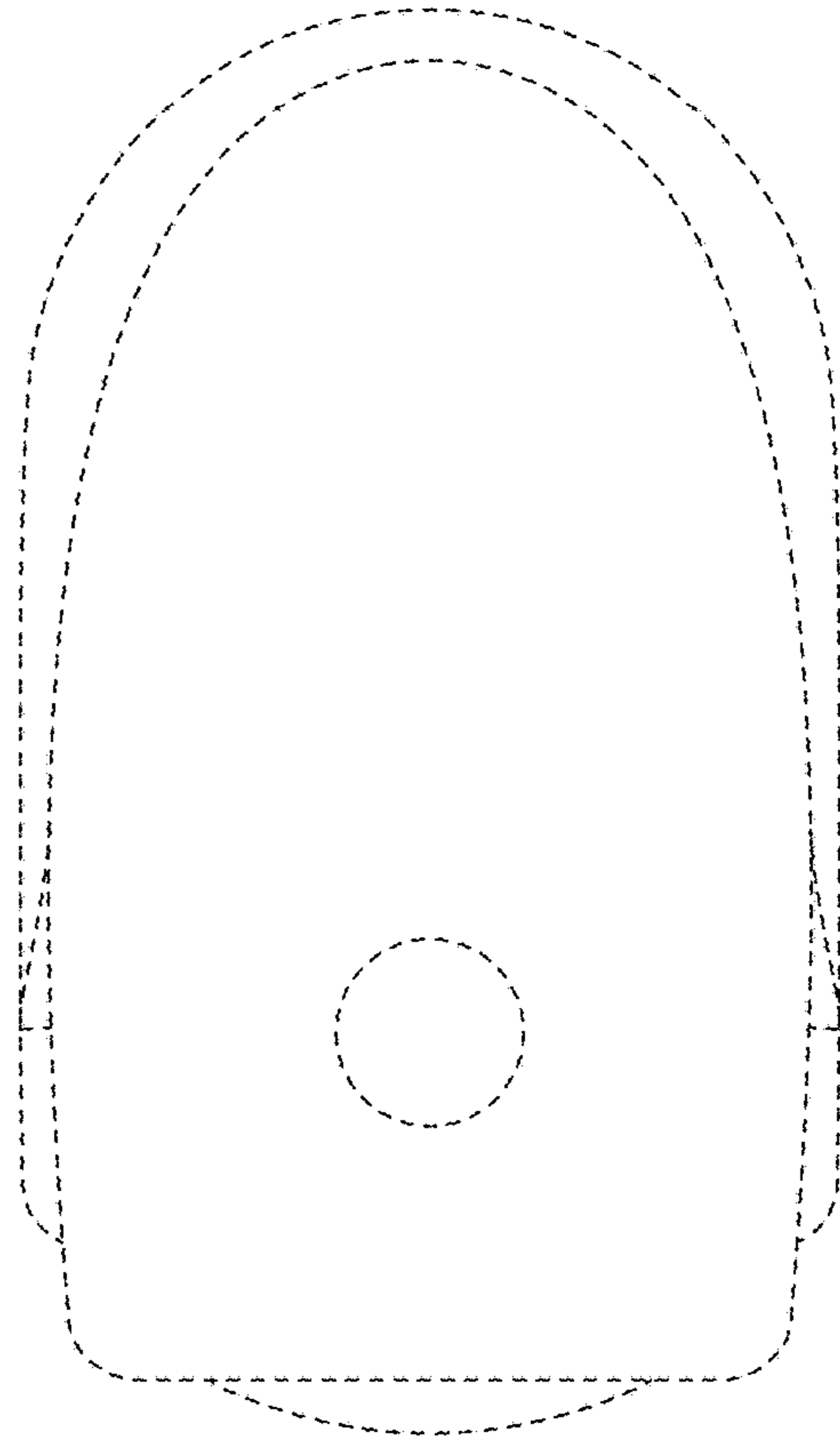


FIG. 14