



US00D810899S

(12) **United States Design Patent** (10) **Patent No.:** **US D810,899 S**
Tu (45) **Date of Patent:** **** Feb. 20, 2018**

(54) **BABIES' POTTY**
(71) Applicant: **BEI YU INDUSTRIAL CO.**, Tainan (TW)
(72) Inventor: **Wen-Chih Tu**, Tainan (TW)
(73) Assignee: **Bei Yu Industrial Co.**, Tainan (TW)
(**) Term: **15 Years**
(21) Appl. No.: **29/586,146**
(22) Filed: **Dec. 1, 2016**
(51) **LOC (11) Cl.** **23-02**
(52) **U.S. Cl.**
USPC **D23/296**
CPC **A61K 48/00** (2013.01)
(58) **Field of Classification Search**
USPC D23/295-303, 307, 309, 310, 311, 313;
D6/349, 354, 356, 601, 611, 716.4, 716.5;
D21/414, 415; D24/200
CPC A47K 11/00; A47K 13/00; Y10S 4/05;
A47G 9/10
See application file for complete search history.

(56) **References Cited**
U.S. PATENT DOCUMENTS
D302,583 S * 8/1989 Lemmeyer D23/296
D599,450 S * 9/2009 Warfaa D23/296

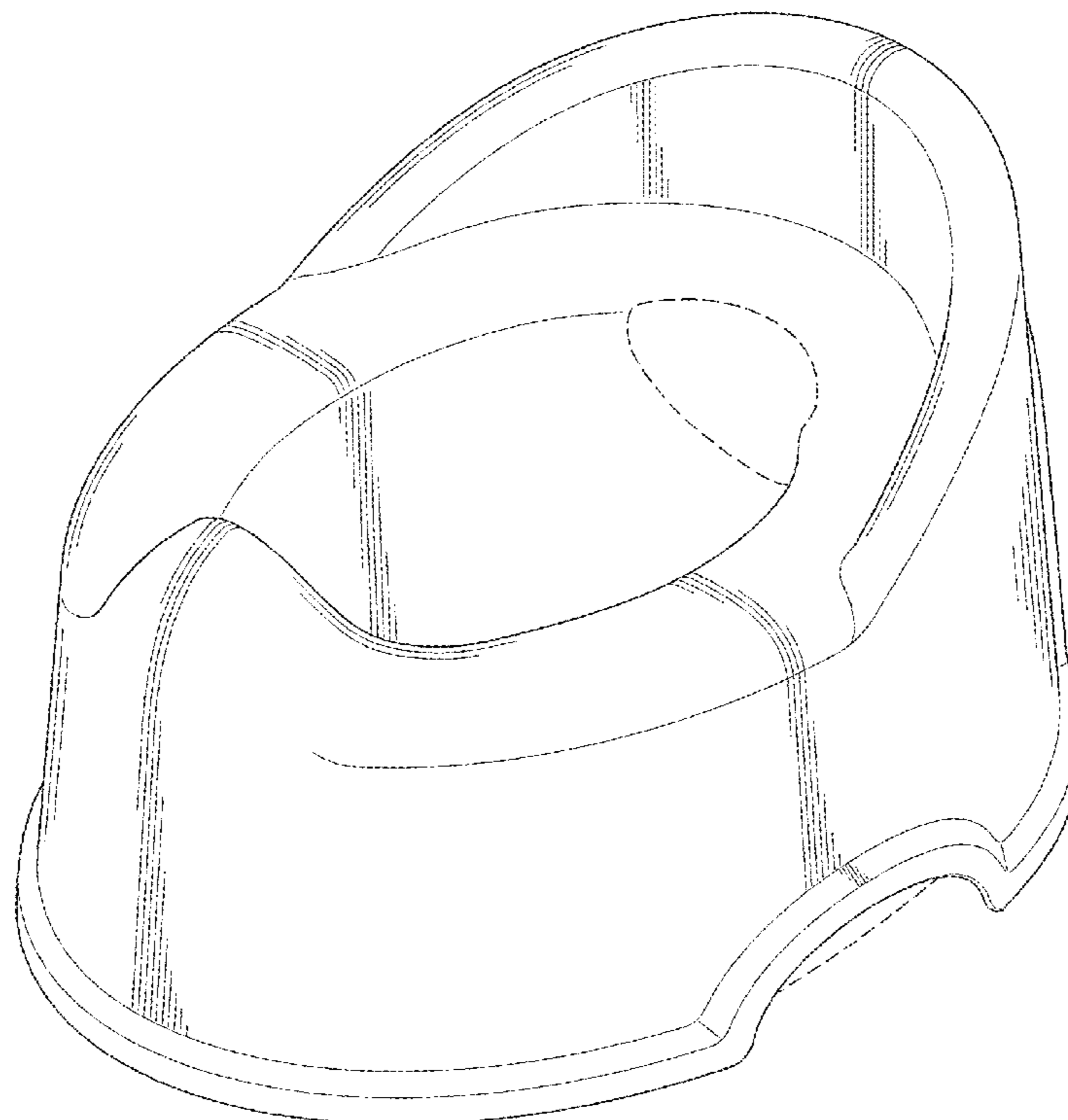
D639,402 S * 6/2011 Rathbone D23/296
D639,404 S * 6/2011 Tu D23/296
D669,971 S * 10/2012 Tu D23/296
D669,972 S * 10/2012 Ryndziewicz D23/296
D670,365 S * 11/2012 Tu D23/296
D685,066 S * 6/2013 Erli D23/296
D706,911 S * 6/2014 Park D23/296
D712,524 S * 9/2014 O'Grady D23/296

* cited by examiner
Primary Examiner — Robert M. Spear
Assistant Examiner — John A Voytek
(74) *Attorney, Agent, or Firm* — Rosenberg, Klein & Lee

(57) **CLAIM**
The ornamental design for a babies's potty, as shown and described.

DESCRIPTION
FIG. 1 is a perspective view of a babies' potty my new design;
FIG. 2 is a front elevational view thereof;
FIG. 3 is a rear elevational view thereof;
FIG. 4 is a left side elevational view thereof;
FIG. 5 is a right side elevational view thereof;
FIG. 6 is a top plan view thereof; and,
FIG. 7 is a bottom plan view thereof.
In the drawings, the broken lines depict environmental subject matter only and form no part of the claimed design.

1 Claim, 7 Drawing Sheets



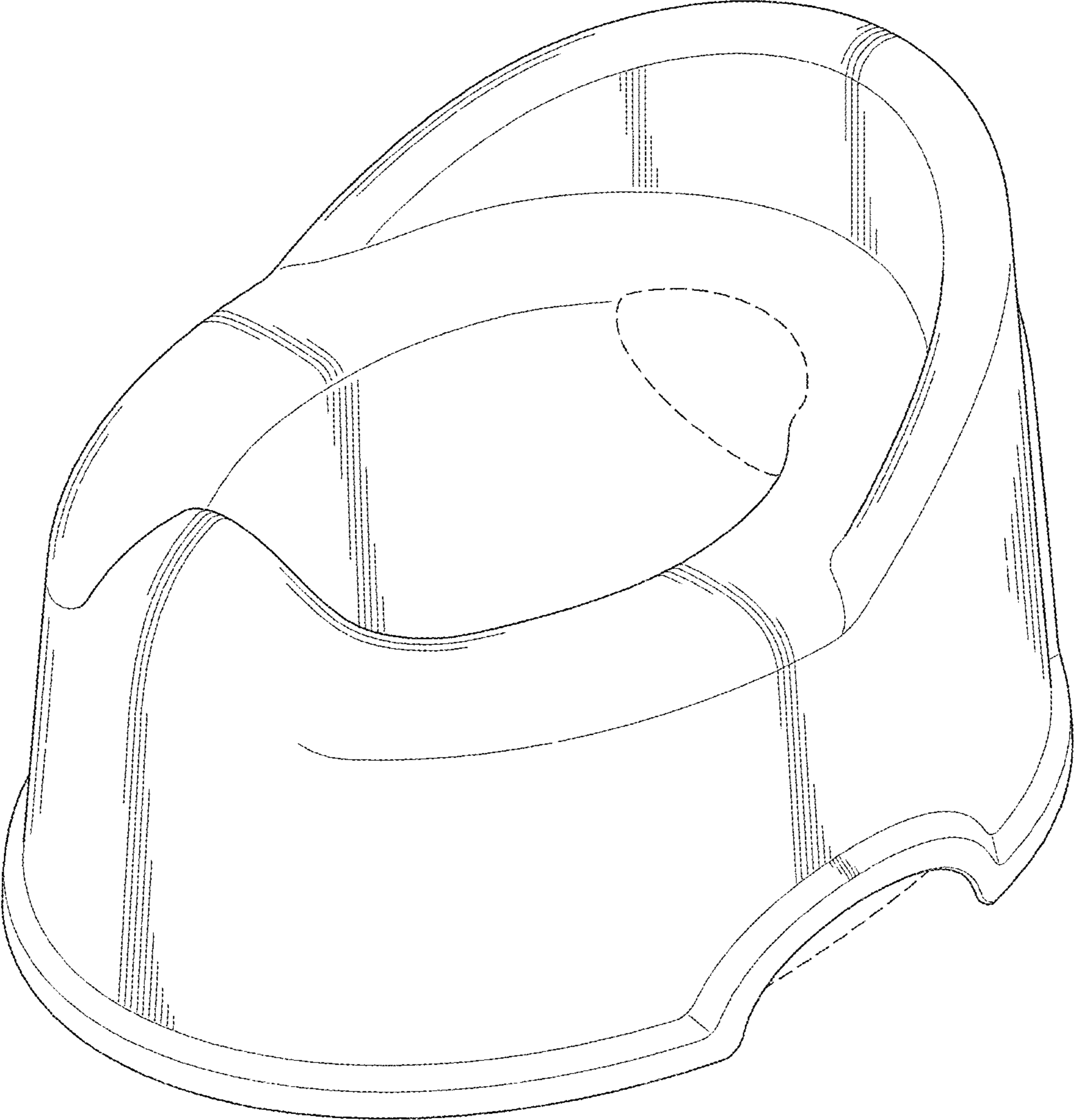


FIG. 1

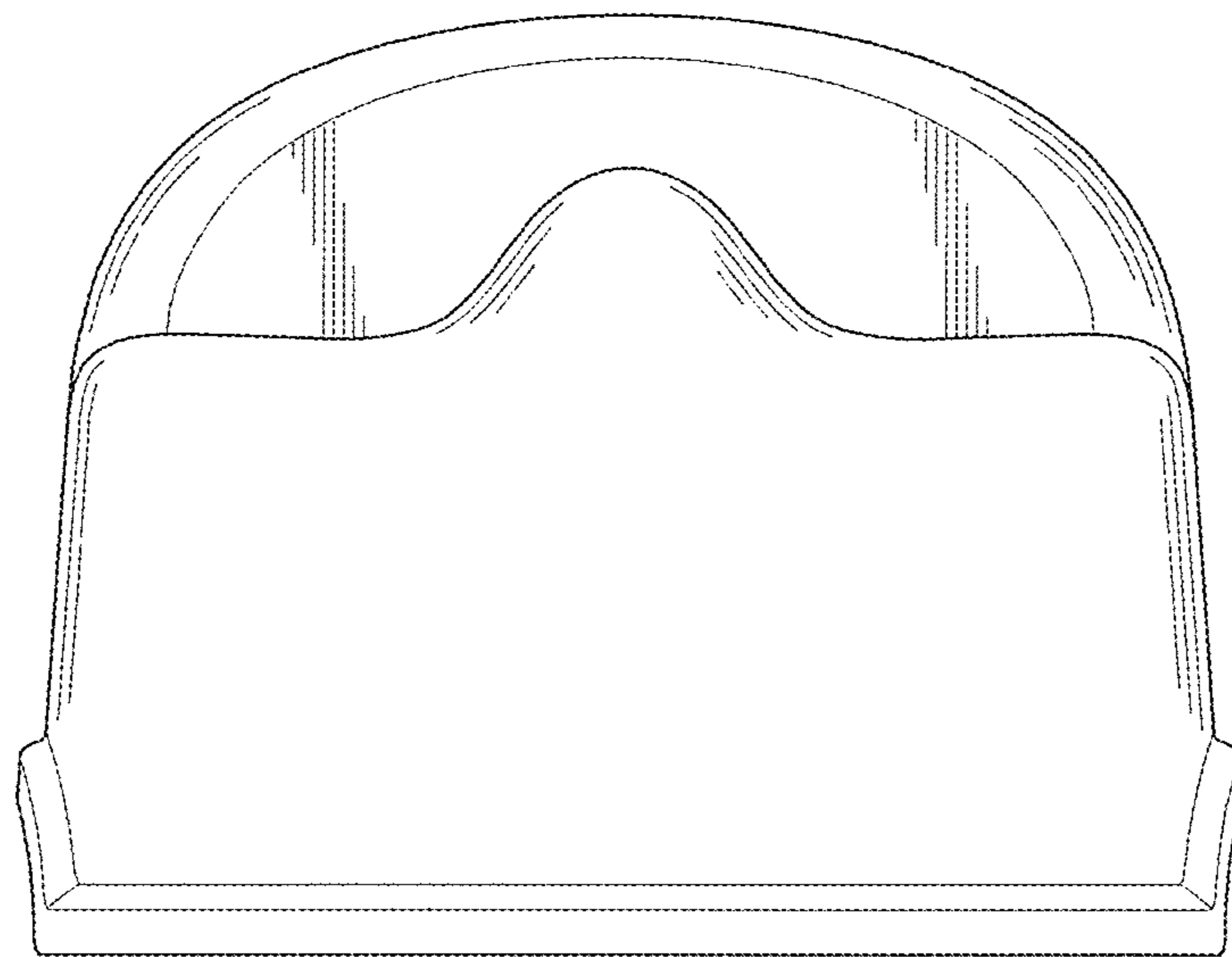


FIG. 2

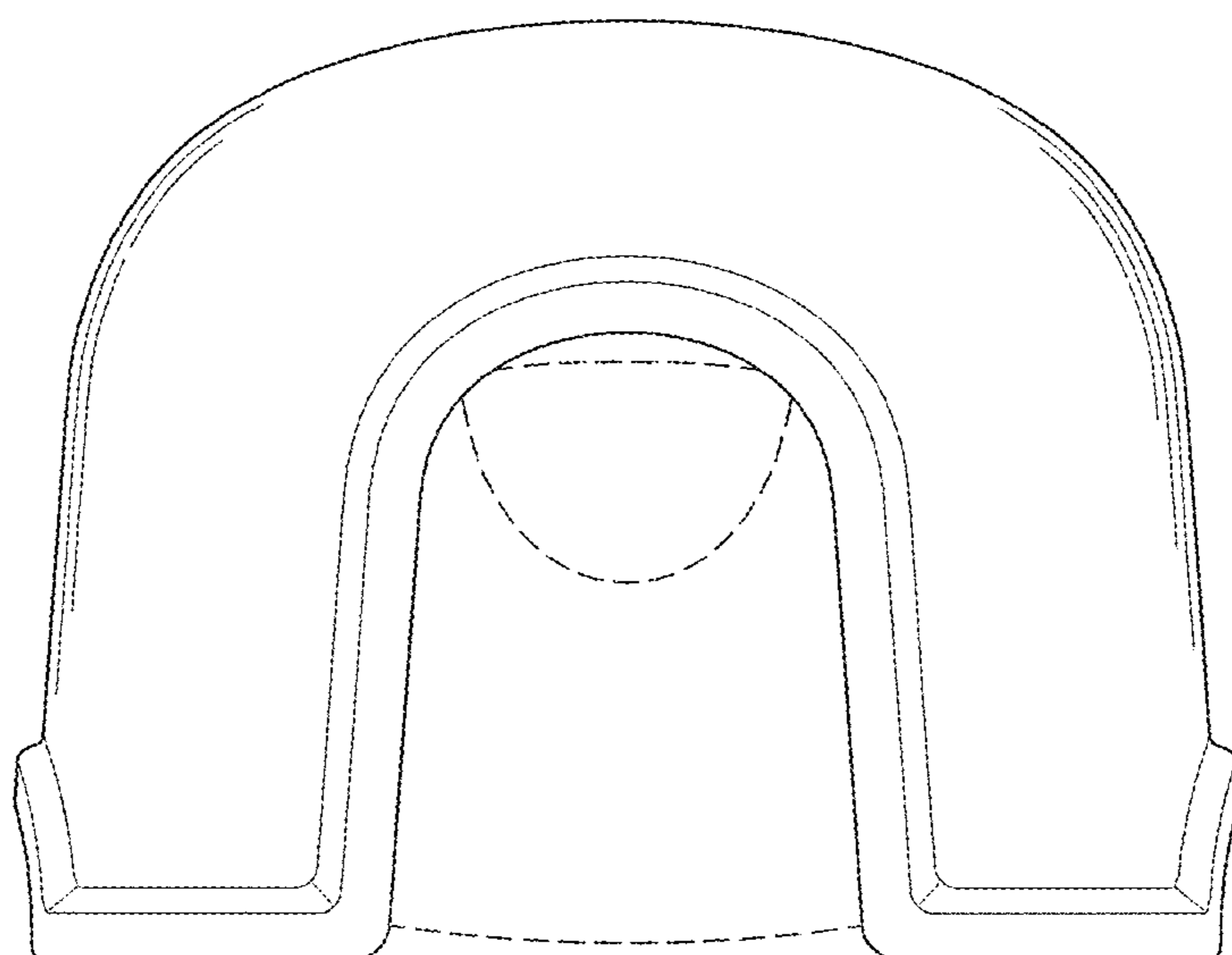


FIG. 3

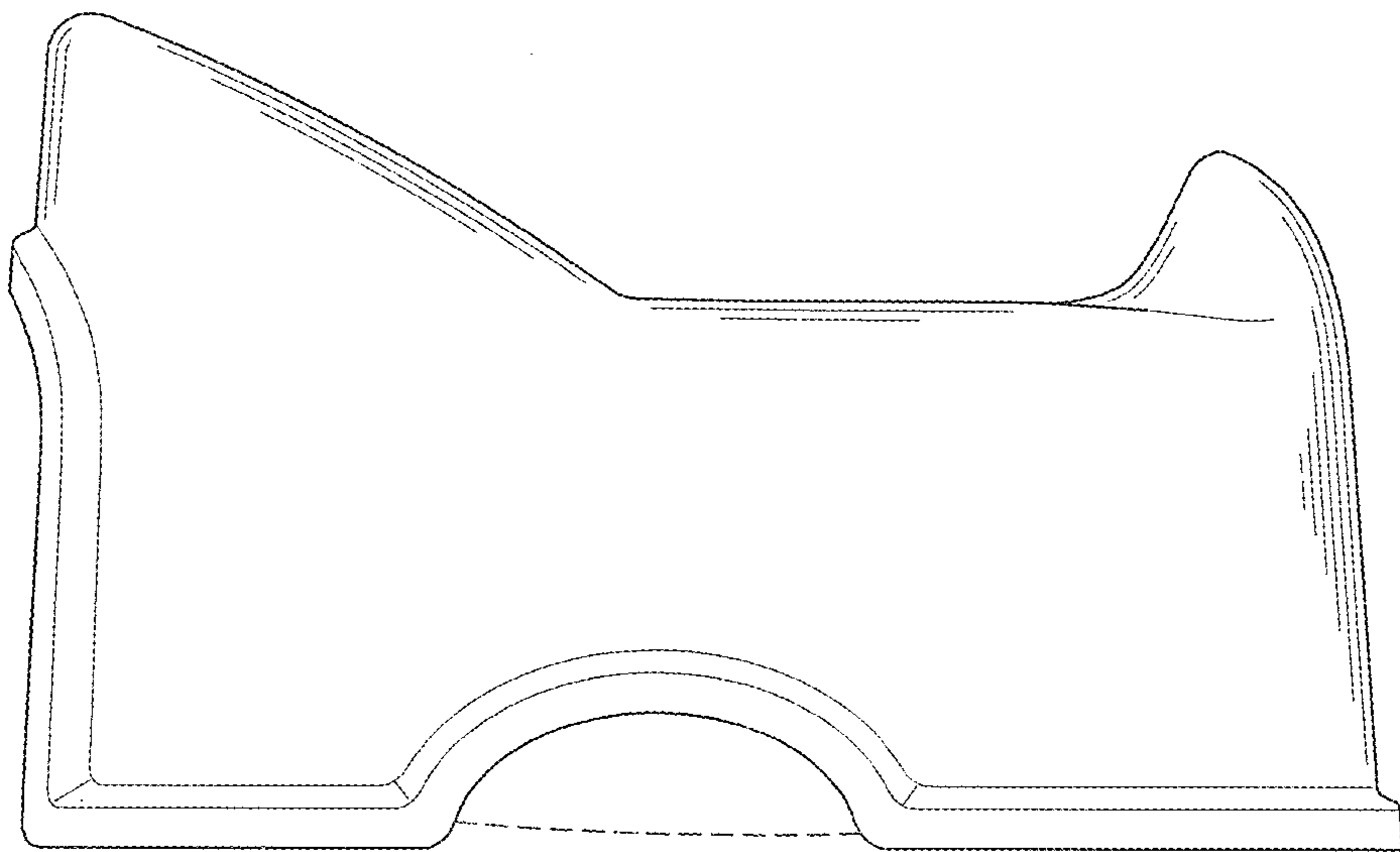


FIG. 4

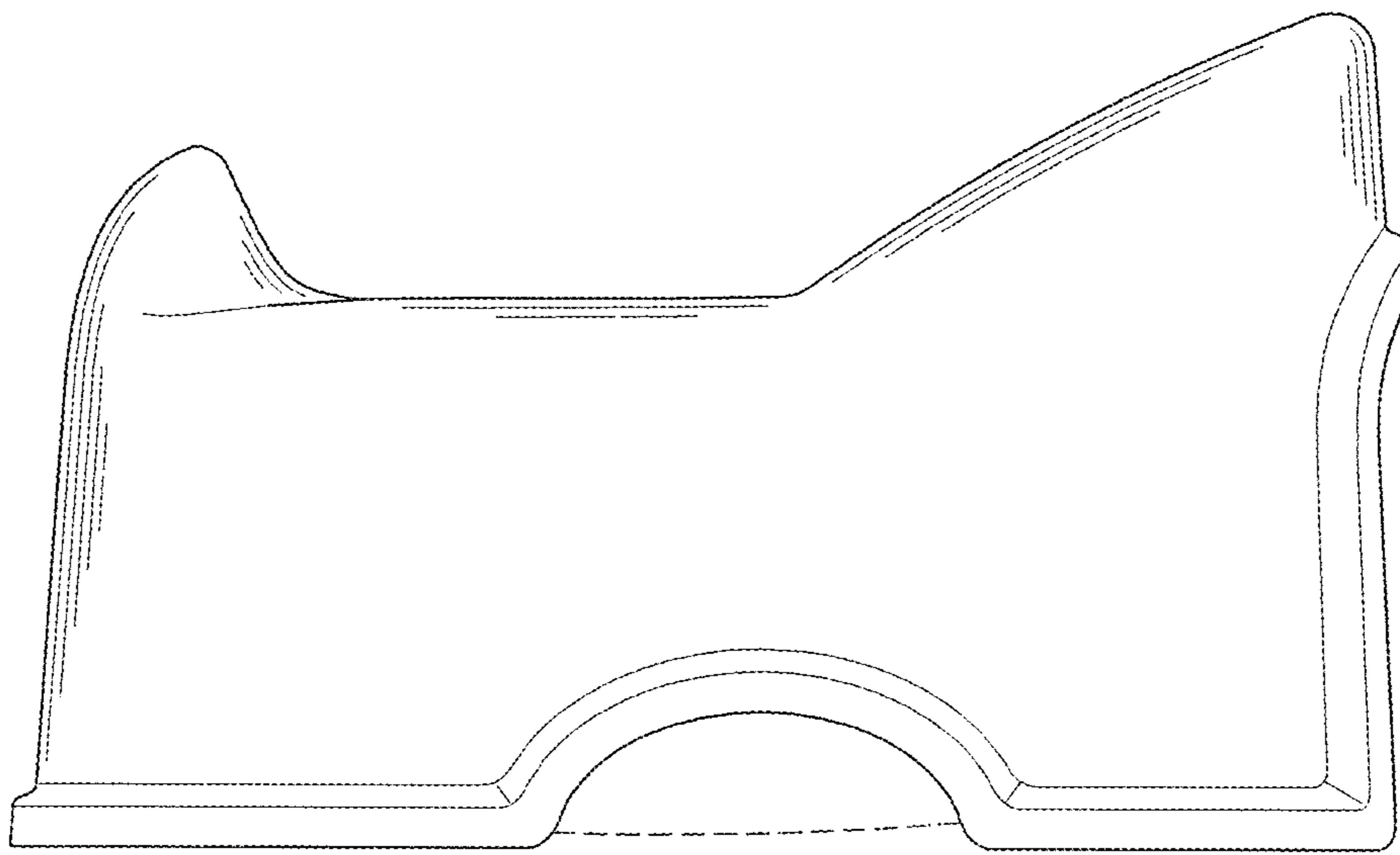


FIG. 5

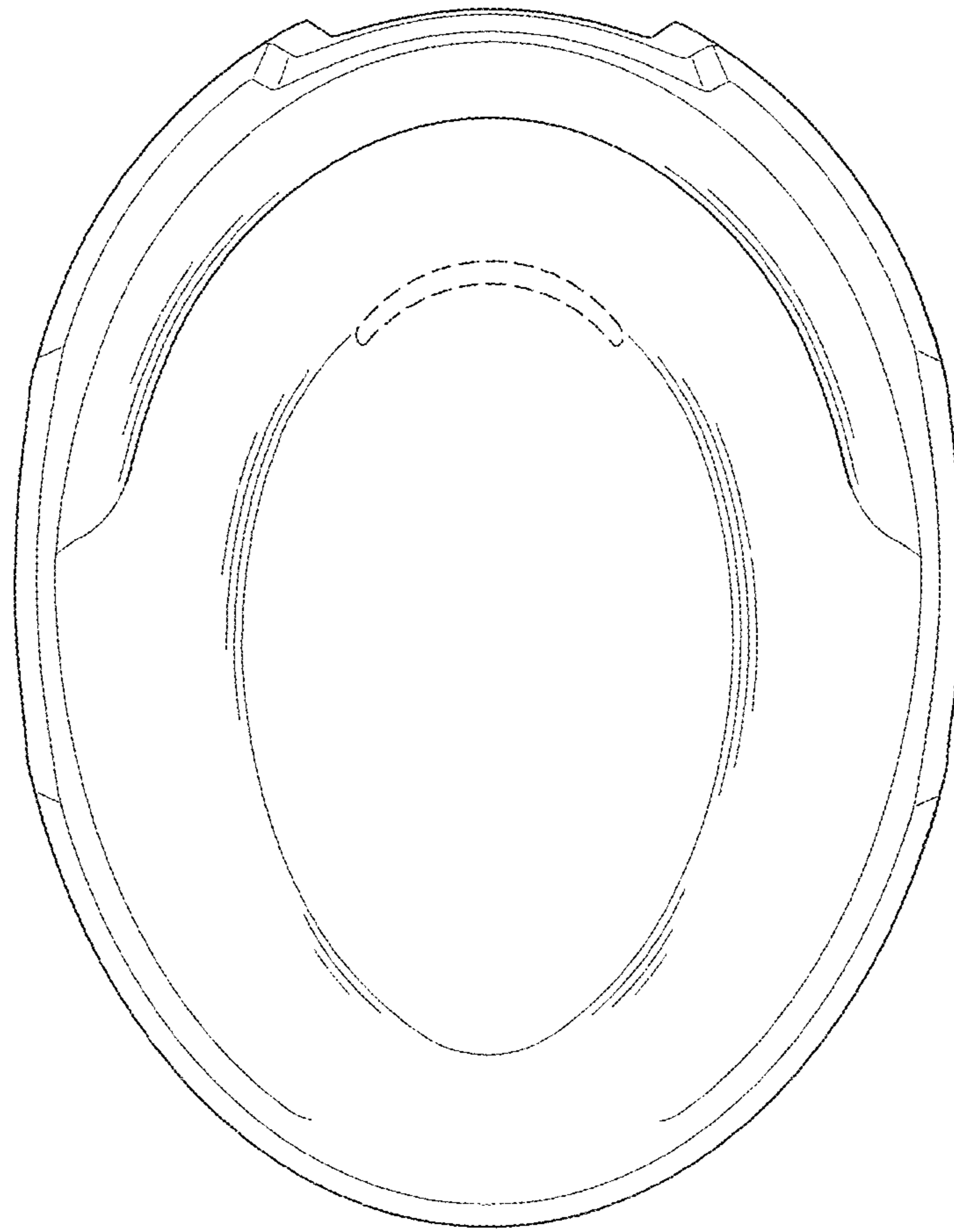


FIG. 6

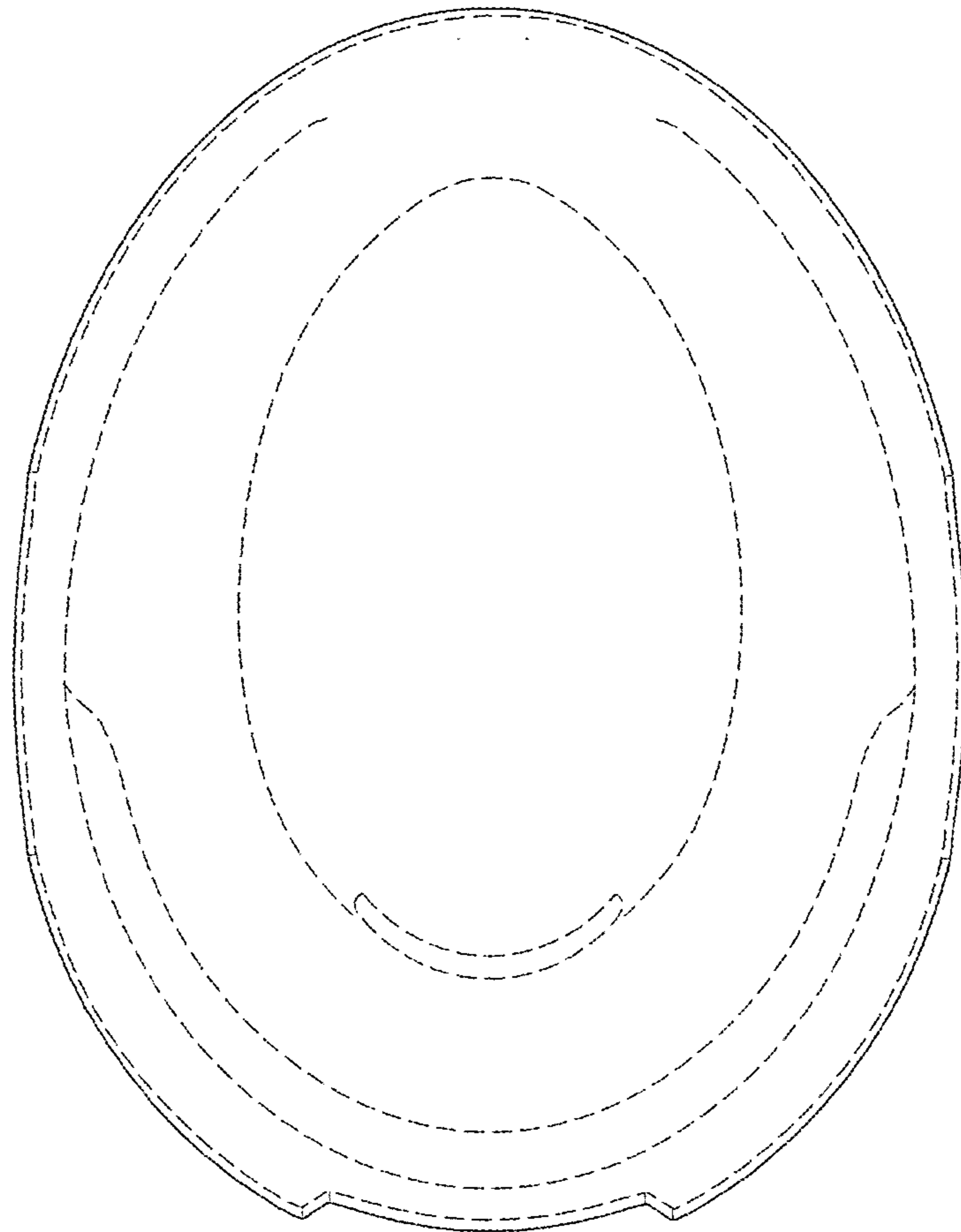


FIG. 7