



US00D810898S

(12) **United States Design Patent**  
**Tsuduki et al.**

(10) **Patent No.:** **US D810,898 S**

(45) **Date of Patent:** **\*\* Feb. 20, 2018**

(54) **LAVATORY PAN**

(71) Applicant: **LIXIL Corporation**, Tokyo (JP)

(72) Inventors: **Hideaki Tsuduki**, Tokyo (JP); **Daisuke Matsumoto**, Tokyo (JP)

(73) Assignee: **LIXIL CORPORATION**, Tokyo (JP)

(\*\*) Term: **15 Years**

(21) Appl. No.: **29/556,093**

(22) Filed: **Feb. 26, 2016**

(30) **Foreign Application Priority Data**

Aug. 28, 2015 (JP) ..... 2015-018921

(51) **LOC (11) Cl.** ..... **23-02**

(52) **U.S. Cl.**  
USPC ..... **D23/295**

(58) **Field of Classification Search**  
USPC ..... D23/295-301, 303, 309, 313  
CPC ..... A47K 11/02; A47K 11/026  
See application file for complete search history.

(56) **References Cited**

**U.S. PATENT DOCUMENTS**

D369,401 S *	4/1996	Kawamura	.....	D23/301
D383,832 S *	9/1997	Kawamura	.....	D23/295
D484,223 S *	12/2003	Tani	.....	D23/295
D581,034 S *	11/2008	Cho	.....	D23/295
D583,030 S *	12/2008	Kobayashi	.....	D23/295
D600,333 S *	9/2009	Liu	.....	D23/295
D620,566 S *	7/2010	Ogata	.....	D23/301
D639,399 S *	6/2011	Takeuchi	.....	D23/295
D639,400 S *	6/2011	Kang	.....	D23/295
D639,407 S *	6/2011	Kang	.....	D23/300
D704,316 S *	5/2014	Ishikawa	.....	D23/295
2013/0185861 A1 *	7/2013	Matsumoto	.....	E03D 9/08
				4/443

**OTHER PUBLICATIONS**

Mens Health article on Inax Toilet found online [Feb. 1, 2017] <http://www.menshealth.com/guy-wisdom/coolest-toilets/slide/15>.\* (5 pages from) 2012 Inax Catalogue found online [Feb. 1, 2017] <http://lhhgroup.com.hk/e/customize/images/pdf/INAX/INAX%20Catalogue%202012.pdf>.\*  
Inax/Lixil timeline found online [Feb. 1, 2017] <http://www.lixil.co.th/inax>.\*  
Design of Lavatory Basin, Document Registered by National Center for Industrial Property Information and Training, Jan. 16, 2010, Mono Magazine, 2<sup>nd</sup> Issue, p. 18, (JPO Industrial Design Section Publicly Know Design Document No. HA22000753).  
Notice of Reasons for Rejections from the corresponding Japanese application No. 2015-018921, Jul. 5, 2016, 4 pages.

\* cited by examiner

*Primary Examiner* — Robert M. Spear

*Assistant Examiner* — John A Voytek

(74) *Attorney, Agent, or Firm* — Muncy, Geissler, Olds & Lowe, P.C.

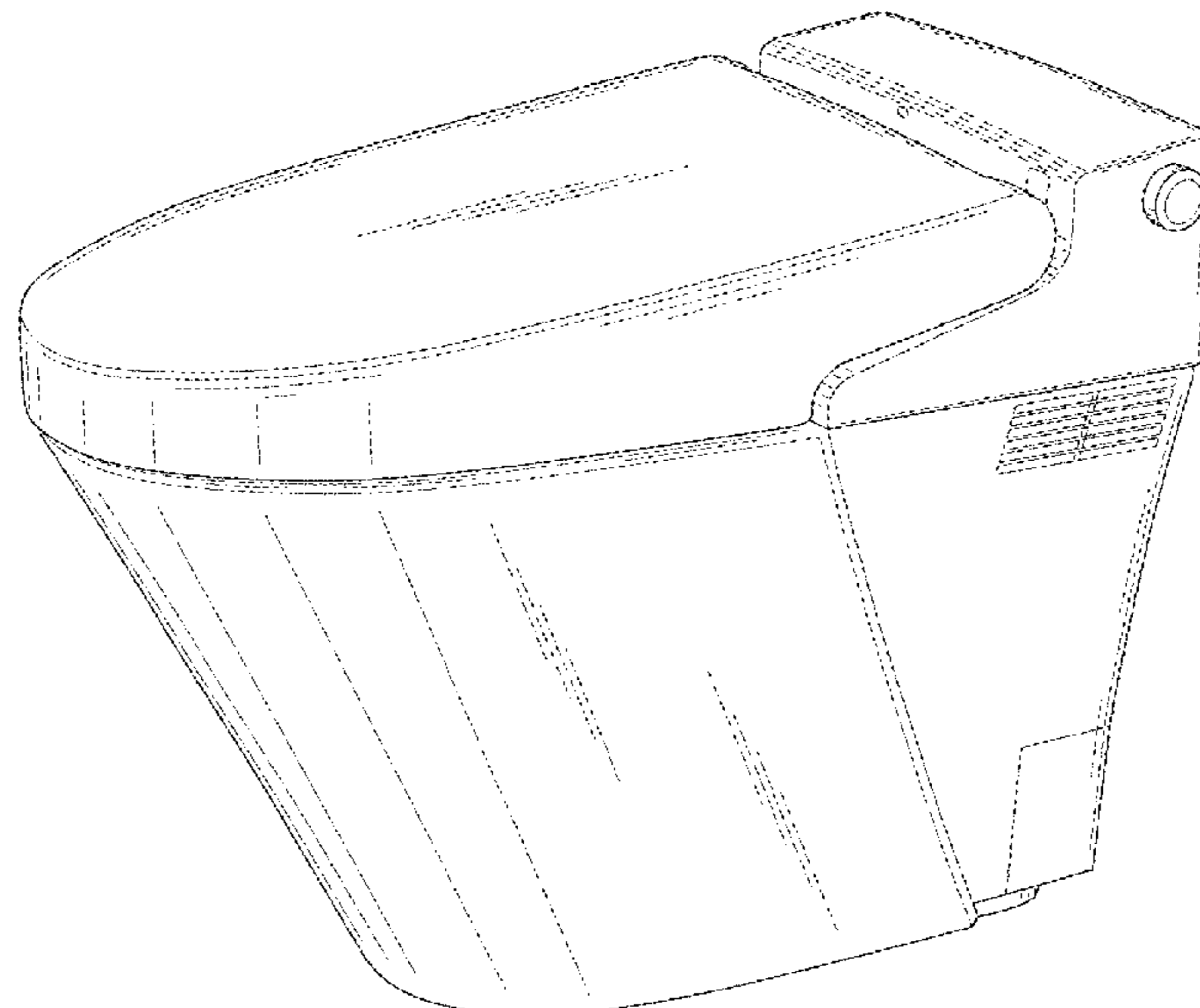
(57) **CLAIM**

The ornamental design for a lavatory pan, as shown and described.

**DESCRIPTION**

FIG. 1 is a perspective view of a lavatory pan showing our new design;  
FIG. 2 is a top plan view thereof;  
FIG. 3 is a bottom plan view thereof;  
FIG. 4 is a front elevational view thereof;  
FIG. 5 is a rear elevational view thereof;  
FIG. 6 is a right side view thereof; and,  
FIG. 7 is a left side view thereof.  
In the drawings, the broken lines depict environmental subject matter only and form no part of the claimed design.

**1 Claim, 7 Drawing Sheets**



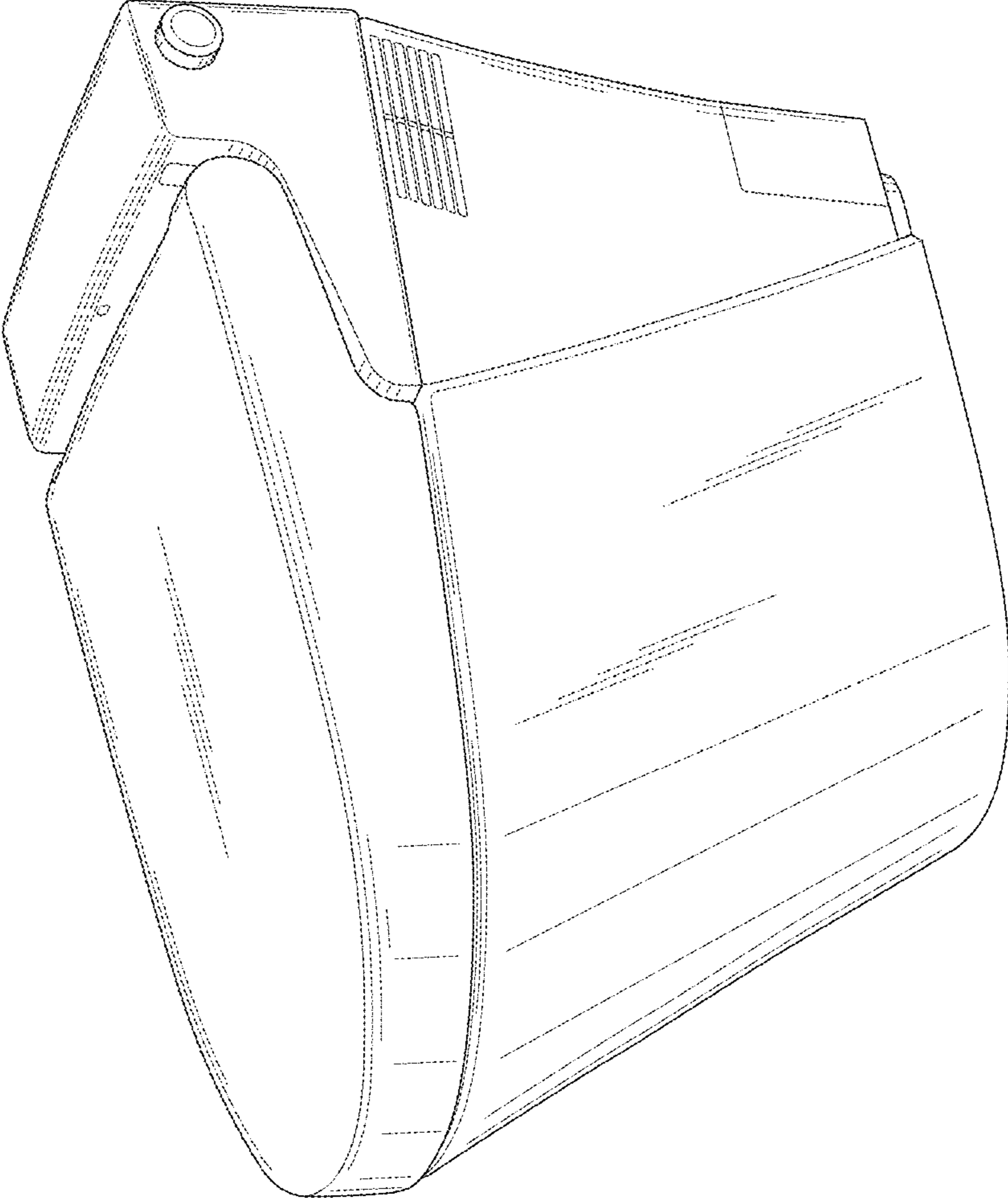


FIG.1

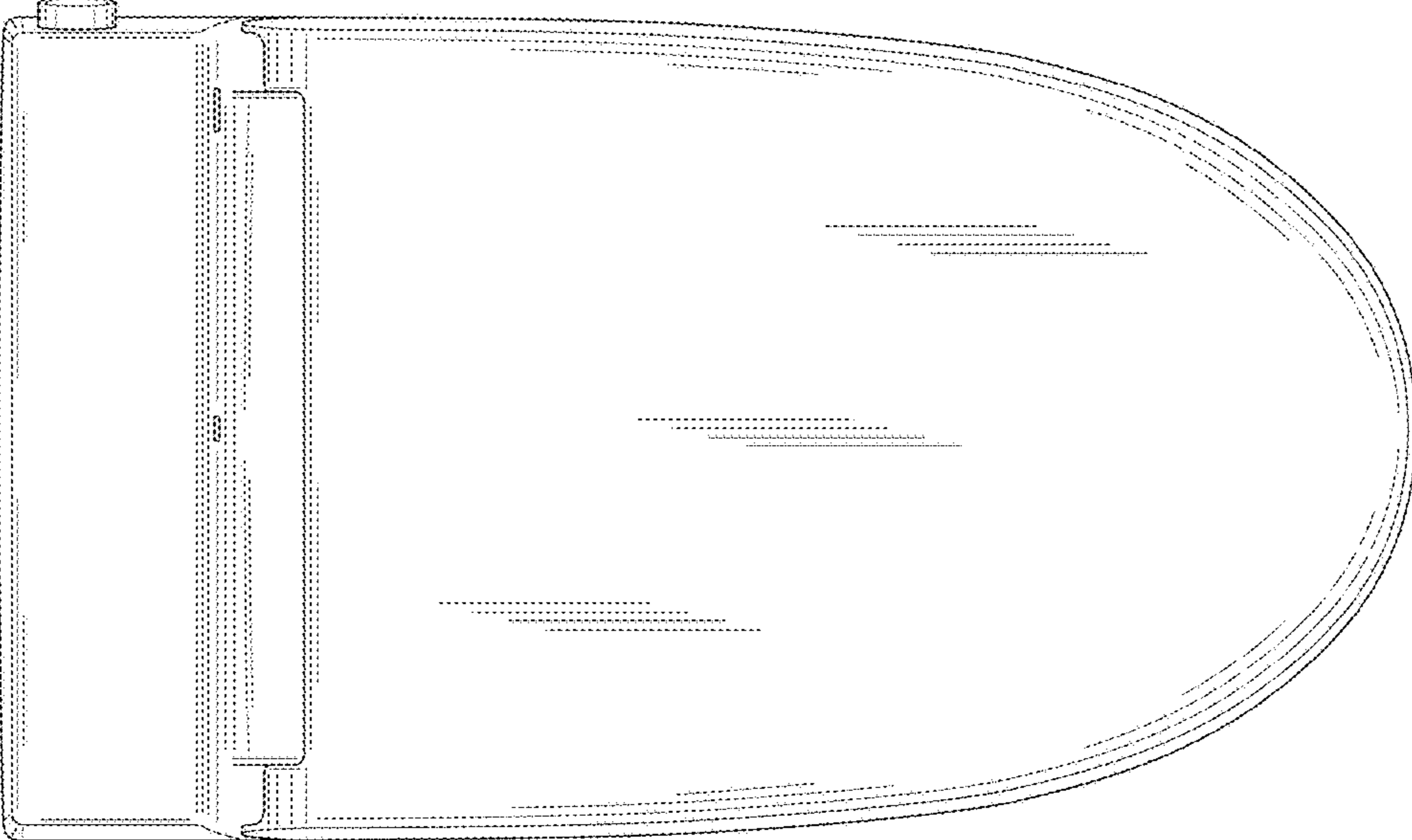


FIG.2

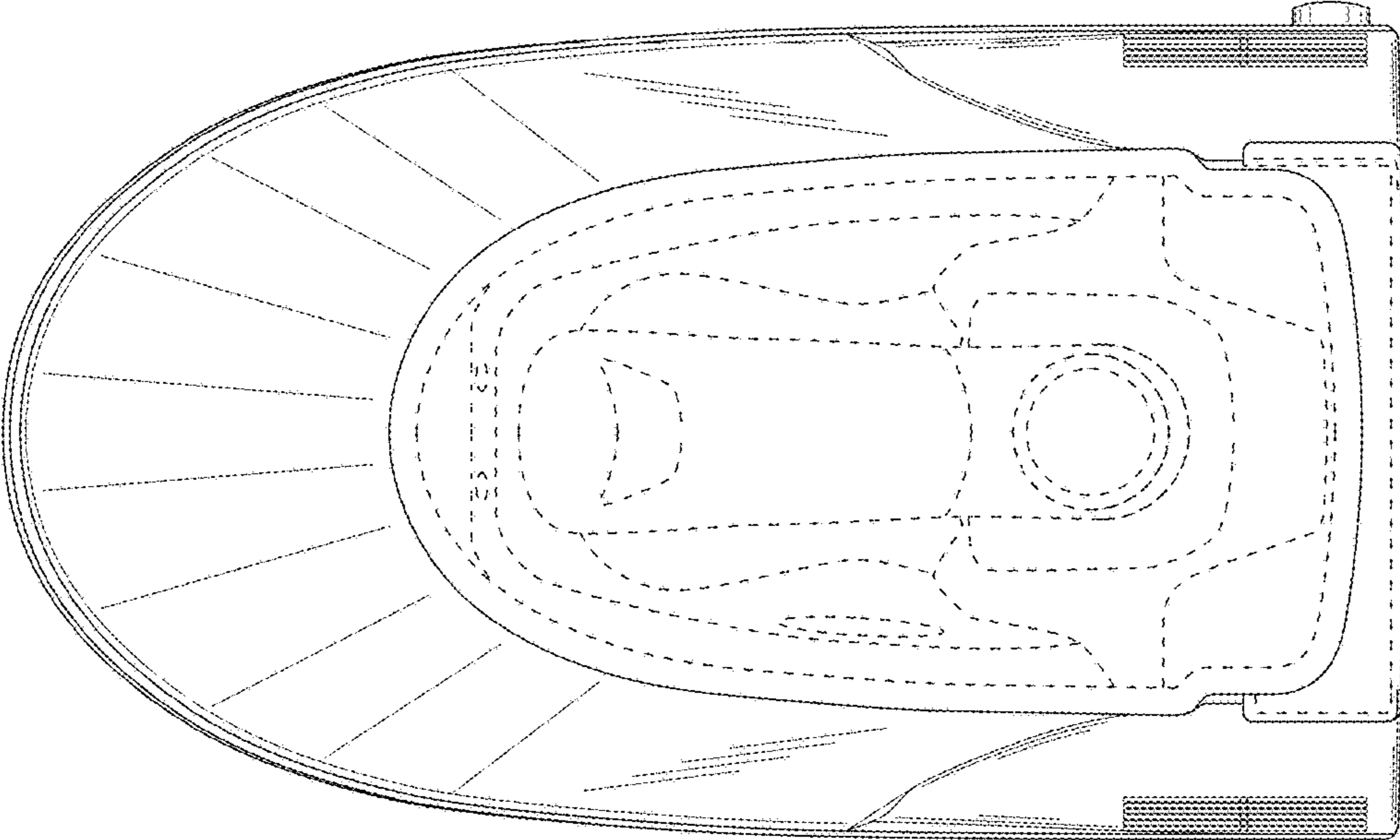


FIG.3

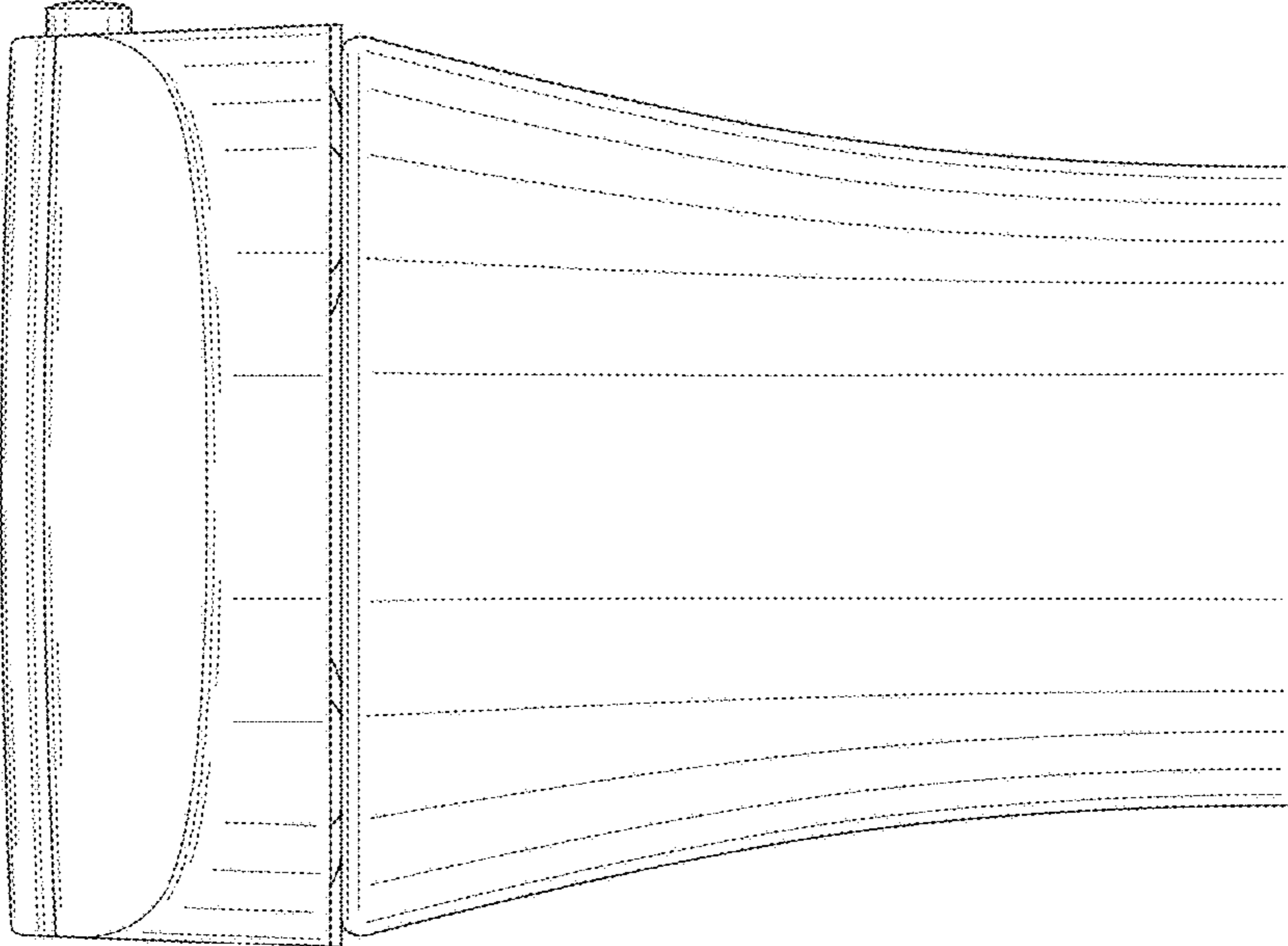


FIG.4



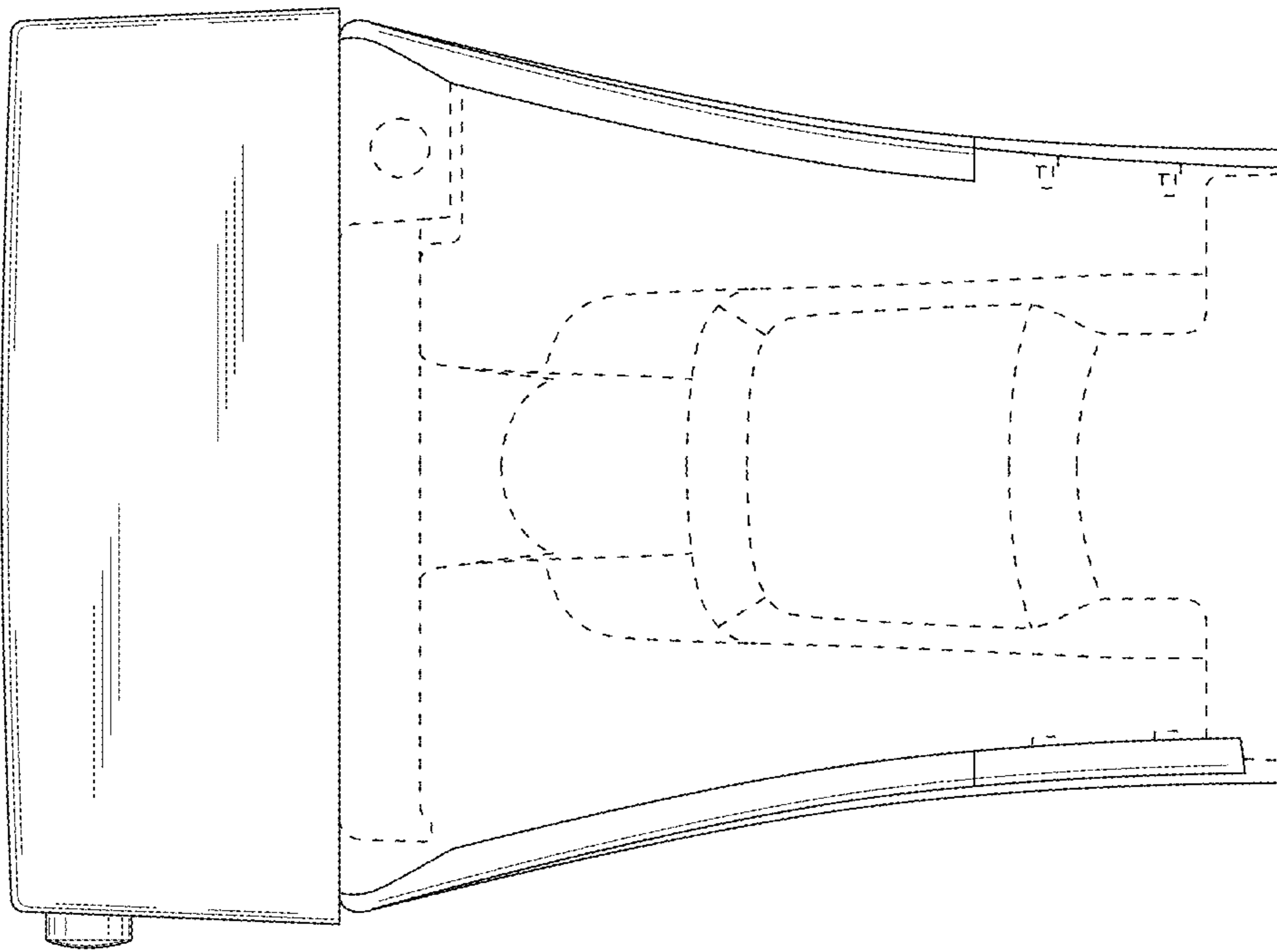


FIG.5

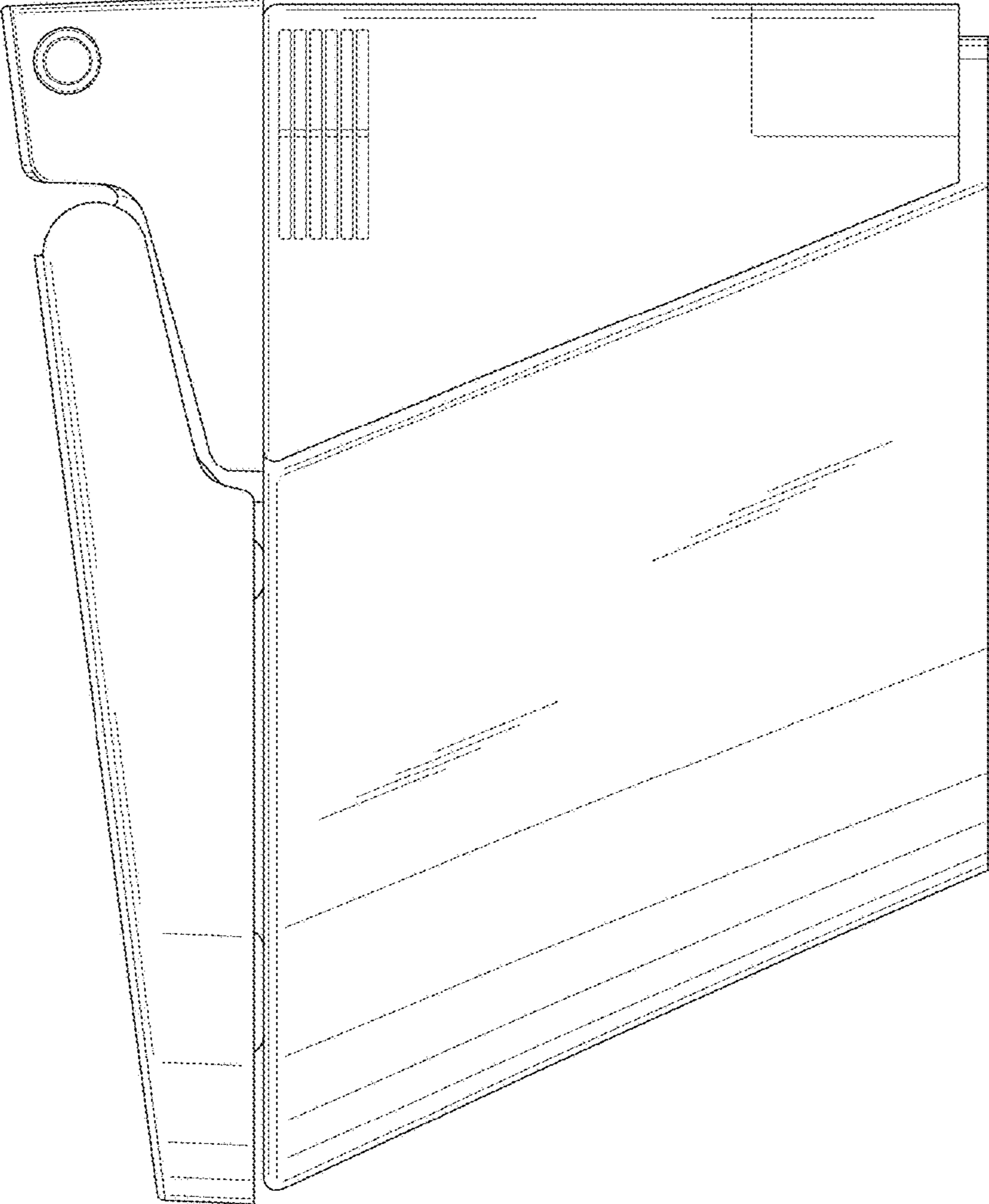


FIG.6

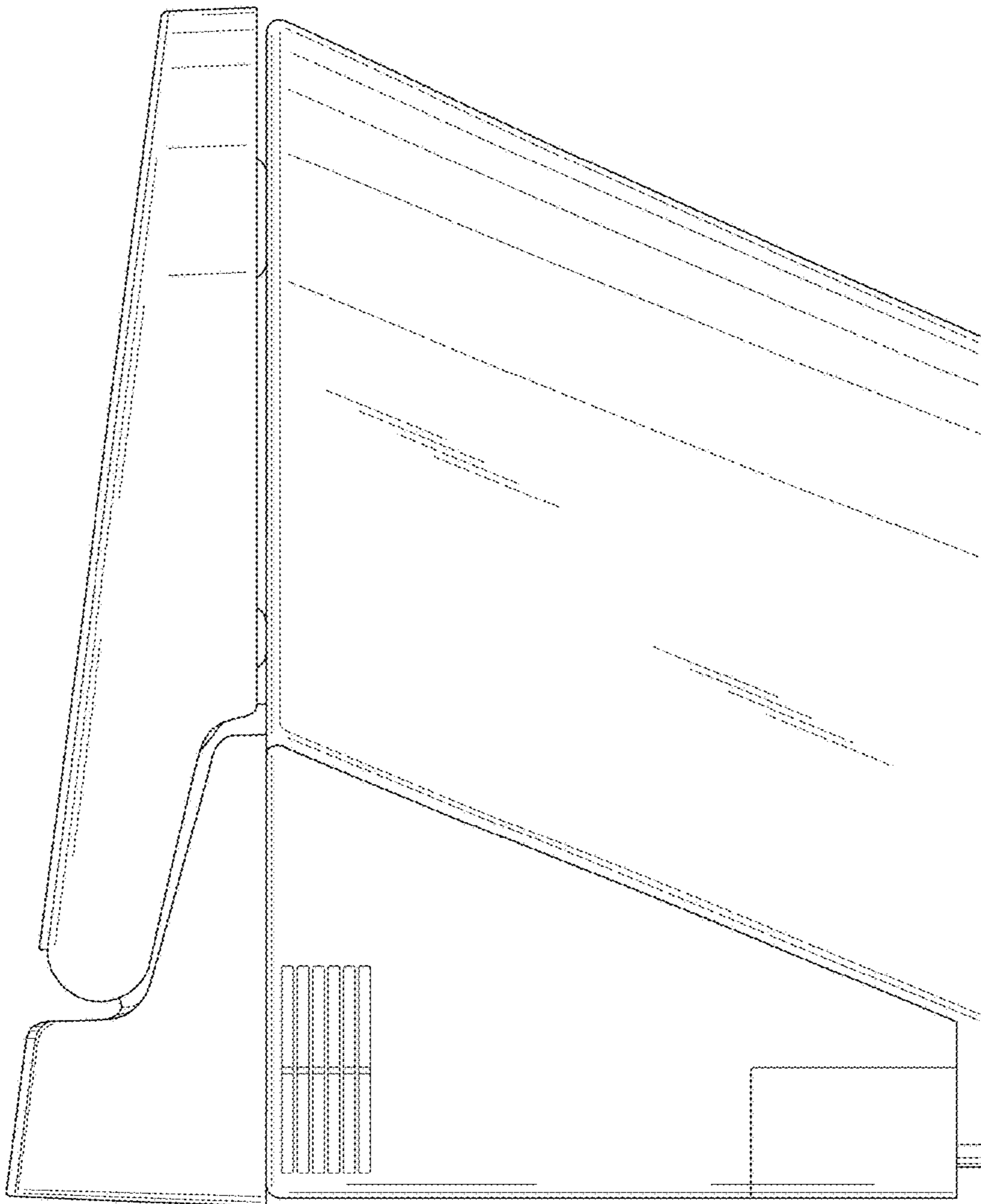


FIG.7