



US00D810897S

(12) **United States Design Patent** (10) **Patent No.:** **US D810,897 S**
Streng (45) **Date of Patent:** **** Feb. 20, 2018**

(54) **SINK**

(71) Applicant: **Zurn Industries, LLC**, Milwaukee, WI (US)

(72) Inventor: **Christopher Richard Streng**, Carpentersville, IL (US)

(73) Assignee: **Zurn Industries, LLC**, Milwaukee, WI (US)

(**) Term: **15 Years**

(21) Appl. No.: **29/579,563**

(22) Filed: **Sep. 30, 2016**

(51) **LOC (11) Cl.** **23-02**

(52) **U.S. Cl.**
USPC **D23/293.1**

(58) **Field of Classification Search**
USPC D23/284–293.1, 303, 308
CPC A47K 1/04; A47B 77/06; A47J 47/20
See application file for complete search history.

(56) **References Cited**

U.S. PATENT DOCUMENTS

| | | | |
|-----------|---|---------|---------------|
| 5,369,818 | A | 12/1994 | Barnum et al. |
| 5,611,093 | A | 3/1997 | Barnum et al. |
| 5,628,949 | A | 5/1997 | Bordener |
| 5,755,983 | A | 5/1998 | Bordener |
| 5,766,500 | A | 6/1998 | Bordener |
| 5,868,957 | A | 2/1999 | Bordener |
| 5,885,503 | A | 3/1999 | Bordener |
| 5,906,875 | A | 5/1999 | Bordener |
| D411,876 | S | 7/1999 | Hafner et al. |
| D415,261 | S | 10/1999 | Thomas |

(Continued)

FOREIGN PATENT DOCUMENTS

CA 2228101 A1 8/1998

OTHER PUBLICATIONS

Zurn Sundara Drift found online [Aug. 2, 2017]—<http://www.zurn.com/products/finish-plumbing/handwashing-systems/z5003-02>.*

Primary Examiner — Robert M. Spear

Assistant Examiner — John A Voytek

(74) *Attorney, Agent, or Firm* — Quarles & Brady LLP

(57) **CLAIM**

The ornamental design for a sink, as shown and described.

DESCRIPTION

FIG. 1 is a top, front, and left side perspective view of a sink in accordance with a first embodiment of the design;

FIG. 2 is a top plan view of the sink of FIG. 1;

FIG. 3 is a front elevational view of the sink of FIG. 1;

FIG. 4 is a left side elevational view of the sink of FIG. 1, which is a mirror image of a right side elevational view thereof;

FIG. 5 is a rear elevational view of the sink of FIG. 1;

FIG. 6 is a bottom plan view of the sink of FIG. 1;

FIG. 7 is a cross-sectional side view of the sink of FIG. 1 taken through line 7-7 of FIG. 2;

FIG. 8 is a top, front, and left side perspective view of a sink in accordance with a second embodiment of the design, in which the sink has two basins.

FIG. 9 is a top plan view of the sink of FIG. 8;

FIG. 10 is a front elevational view of the sink of FIG. 8;

FIG. 11 is a left side elevational view of the sink of FIG. 8, which is a mirror image of a right side elevational view thereof;

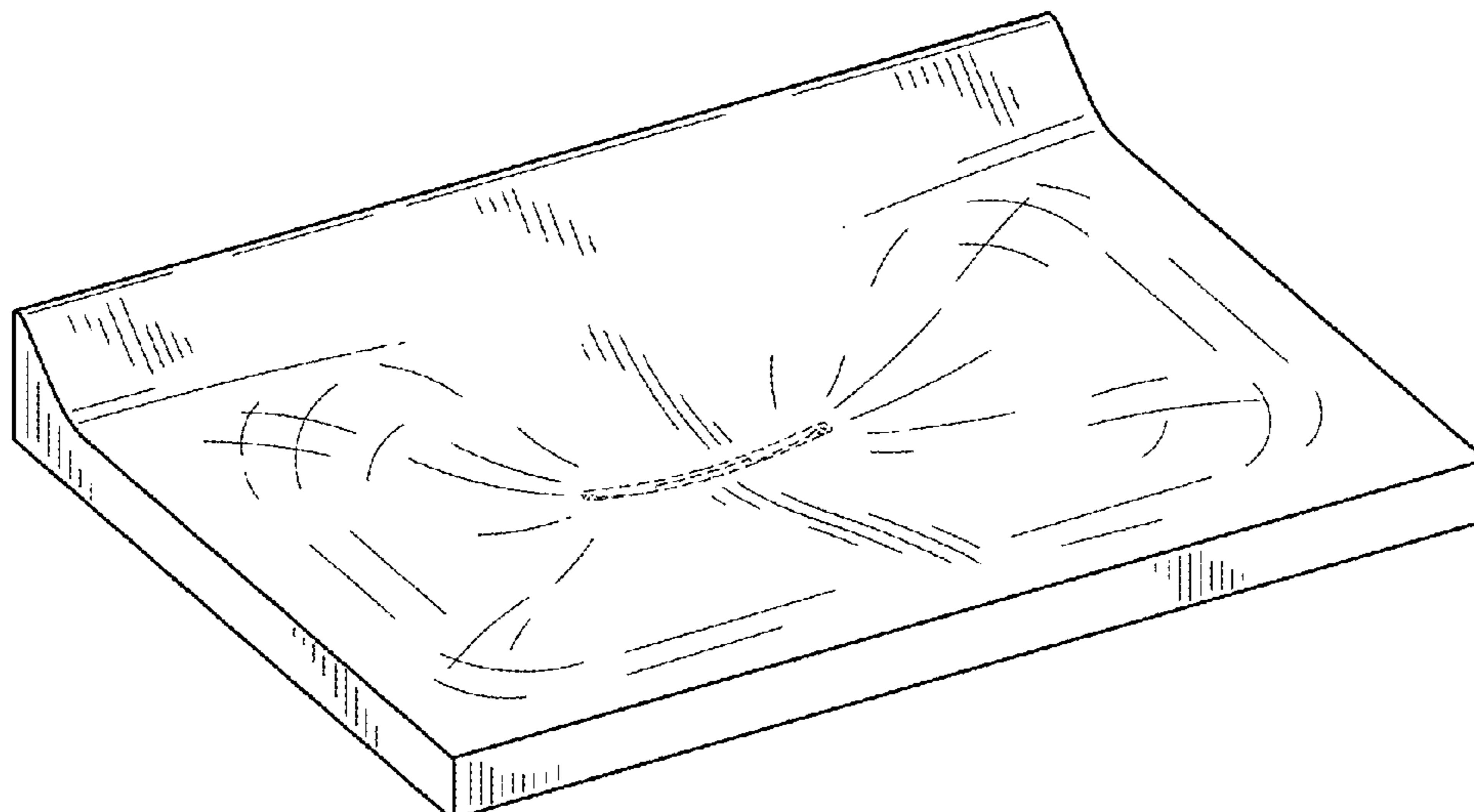
FIG. 12 is a rear elevational view of the sink of FIG. 8;

FIG. 13 is a bottom plan view of the sink of FIG. 8; and,

FIG. 14 is a cross-sectional side view of the sink of FIG. 8 taken through line 14-14 of FIG. 9.

The dash-dash broken lines are for the purpose of illustrating unclaimed subject matter only and form no part of the claimed design. The dash-dot lines are for the purpose of indicating a boundary of the design on a surface and do not indicate an edge.

1 Claim, 8 Drawing Sheets



(56)

References Cited

U.S. PATENT DOCUMENTS

| | | | | | | | |
|-----------|-----|---------|-------------------------|--------------|-----|---------|-----------------------|
| 6,000,673 | A | 12/1999 | Bordener | D625,792 | S | 10/2010 | Rundberg et al. |
| 6,360,381 | B1 | 3/2002 | Fitzgerald, Sr. | D628,280 | S | 11/2010 | Loberger et al. |
| D455,200 | S | 4/2002 | Marshall | D629,877 | S | 12/2010 | Rundberg |
| 6,517,897 | B1 | 2/2003 | Bordener | D633,992 | S | 3/2011 | Rundberg et al. |
| D472,966 | S | 4/2003 | Molinaro | 7,952,233 | B2 | 5/2011 | Bayley et al. |
| D474,835 | S | 5/2003 | Kahle et al. | D640,778 | S | 6/2011 | Rundberg |
| D477,060 | S | 7/2003 | Loberger et al. | D641,842 | S | 7/2011 | Loberger et al. |
| 6,656,561 | B1 | 12/2003 | Subbulu | D642,664 | S | 8/2011 | Rundberg et al. |
| D484,958 | S | 1/2004 | Loberger et al. | D649,232 | S | 11/2011 | Rundberg |
| D492,015 | S * | 6/2004 | Kergoet D23/293.1 | 8,113,483 | B2 | 2/2012 | Bayley et al. |
| D499,797 | S * | 12/2004 | Bates D23/284 | 8,141,177 | B1 | 3/2012 | Majocka et al. |
| D501,674 | S | 2/2005 | Adkison | 8,181,289 | B2 | 5/2012 | Schmitt et al. |
| D508,117 | S | 8/2005 | Loberger et al. | D663,016 | S | 7/2012 | Figurski et al. |
| D511,205 | S | 11/2005 | Loberger et al. | 8,296,875 | B2 | 10/2012 | Loberger et al. |
| D511,821 | S | 11/2005 | Loberger et al. | D674,967 | S | 1/2013 | Figurski et al. |
| 7,001,558 | B2 | 2/2006 | Baldoni | D680,202 | S | 4/2013 | Figurski et al. |
| D518,560 | S | 4/2006 | Arkay-Leliever | D681,177 | S | 4/2013 | Young et al. |
| D527,085 | S | 8/2006 | Loberger et al. | D691,247 | S * | 10/2013 | McGuire D23/308 |
| D527,809 | S | 9/2006 | Loberger et al. | 8,857,786 | B2 | 10/2014 | Bayley et al. |
| D538,905 | S * | 3/2007 | Wano D23/293.1 | 8,950,019 | B2 | 2/2015 | Loberger et al. |
| D549,508 | S | 8/2007 | Clark et al. | 8,984,679 | B2 | 3/2015 | Bayley et al. |
| D560,777 | S * | 1/2008 | Hanna D23/293.1 | 8,997,271 | B2 | 4/2015 | Bayley et al. |
| D560,783 | S | 1/2008 | Marshall et al. | D745,122 | S | 12/2015 | Schönherr et al. |
| D560,784 | S | 1/2008 | Marshall et al. | D745,951 | S | 12/2015 | Schönherr et al. |
| D588,676 | S | 3/2009 | Loberger et al. | 2004/0128755 | A1 | 7/2004 | Loberger et al. |
| D591,839 | S | 5/2009 | Loberger et al. | 2005/0035693 | A1 | 2/2005 | Reamer |
| D598,990 | S | 8/2009 | Duringer et al. | 2005/0205818 | A1 | 9/2005 | Bayley et al. |
| D600,331 | S * | 9/2009 | Hanna D23/284 | 2006/0185074 | A1 | 8/2006 | Loberger et al. |
| D601,674 | S | 10/2009 | Hanna | 2007/0138685 | A1 | 6/2007 | Trinder et al. |
| D610,242 | S | 2/2010 | Loberger et al. | 2008/0005833 | A1 | 1/2008 | Bayley et al. |
| D614,273 | S | 4/2010 | Loberger et al. | 2008/0115266 | A1 | 5/2008 | Loberger et al. |
| | | | | 2010/0132112 | A1 | 6/2010 | Bayley et al. |
| | | | | 2014/0223658 | A1 | 8/2014 | Kempen et al. |
| | | | | 2014/0250589 | A1 | 9/2014 | Sgarlata et al. |

* cited by examiner

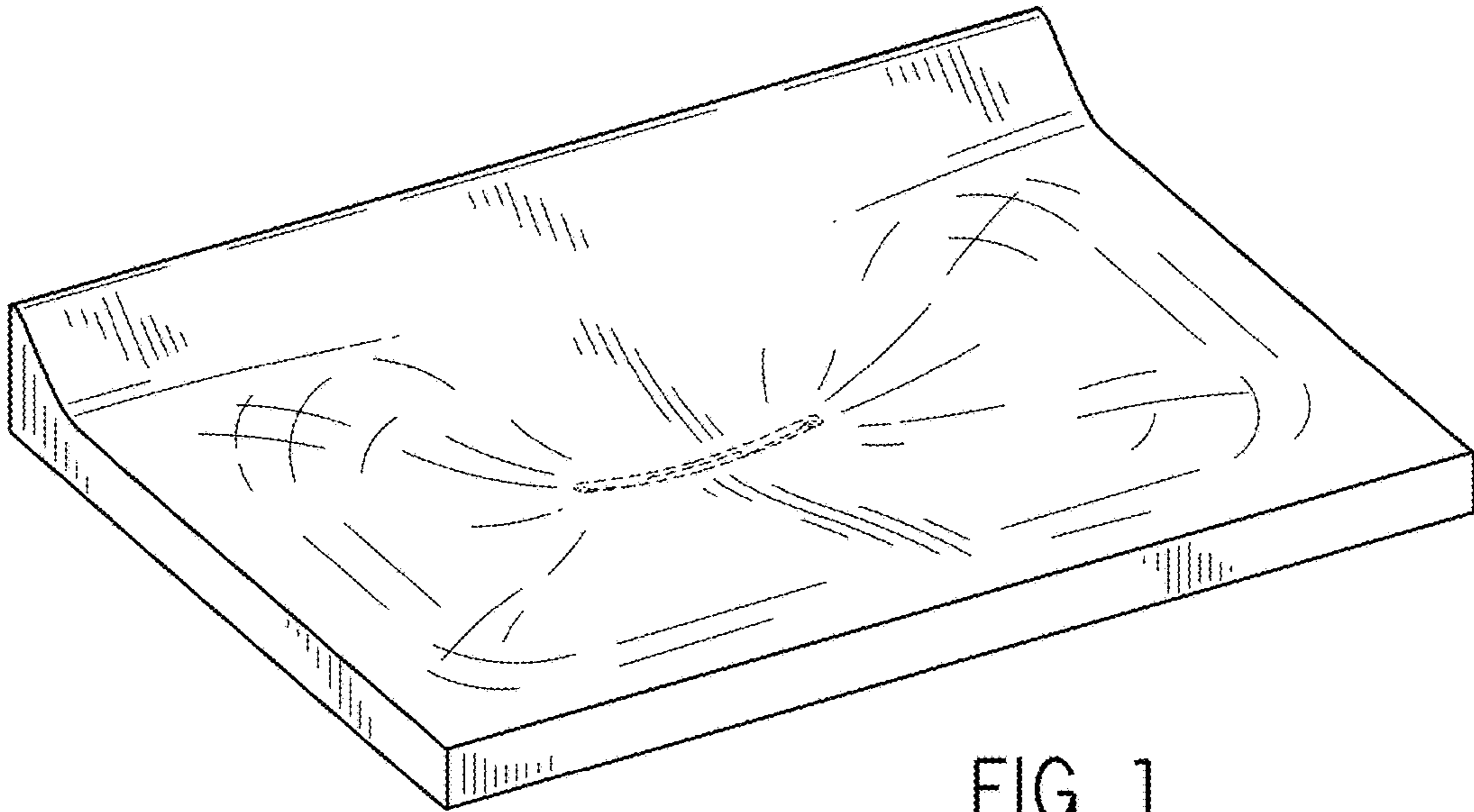


FIG. 1

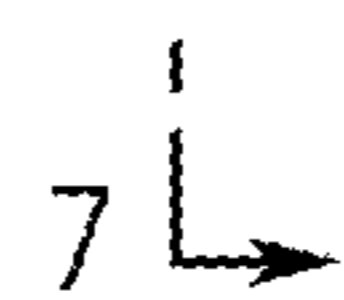
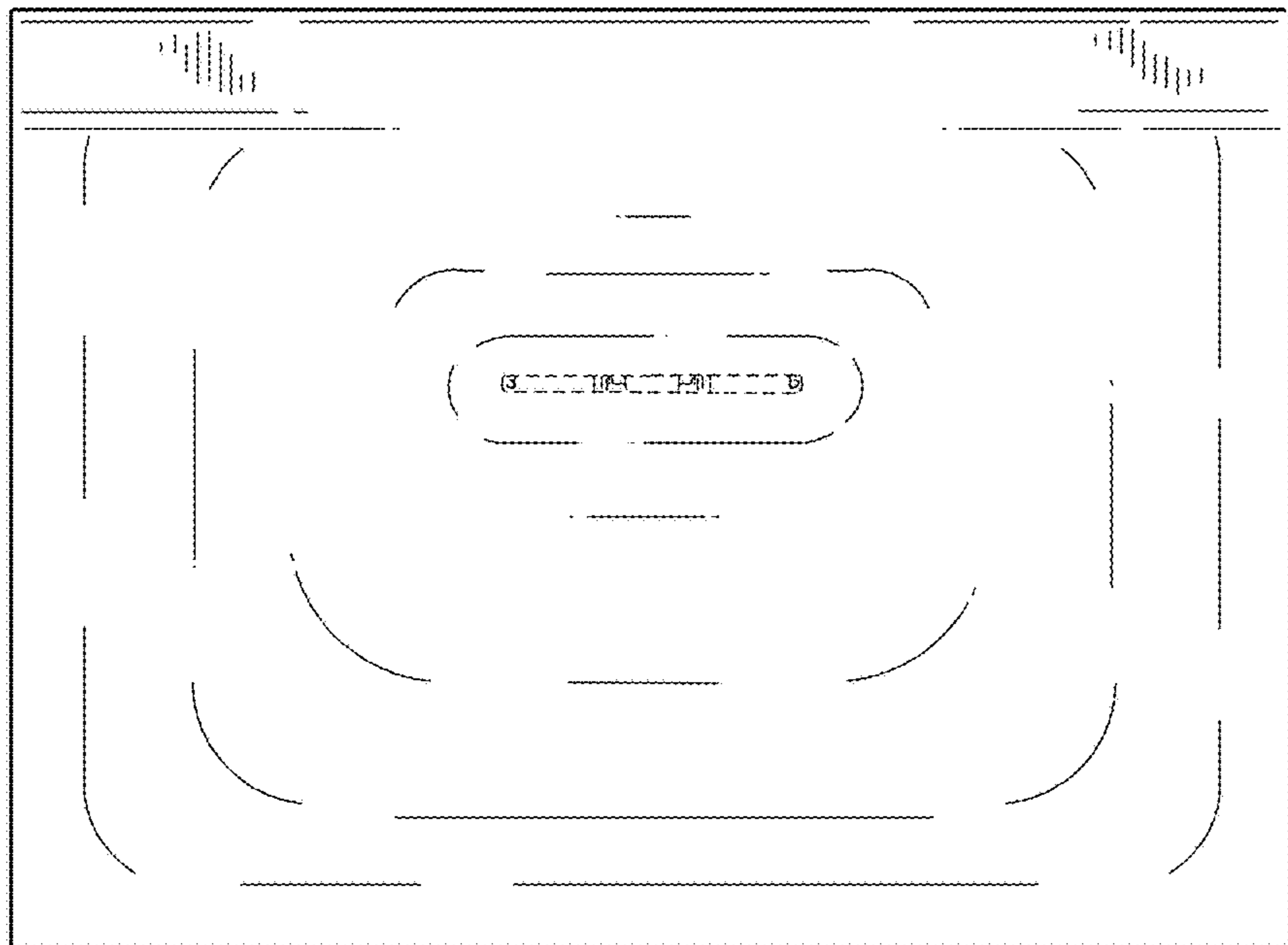


FIG. 2

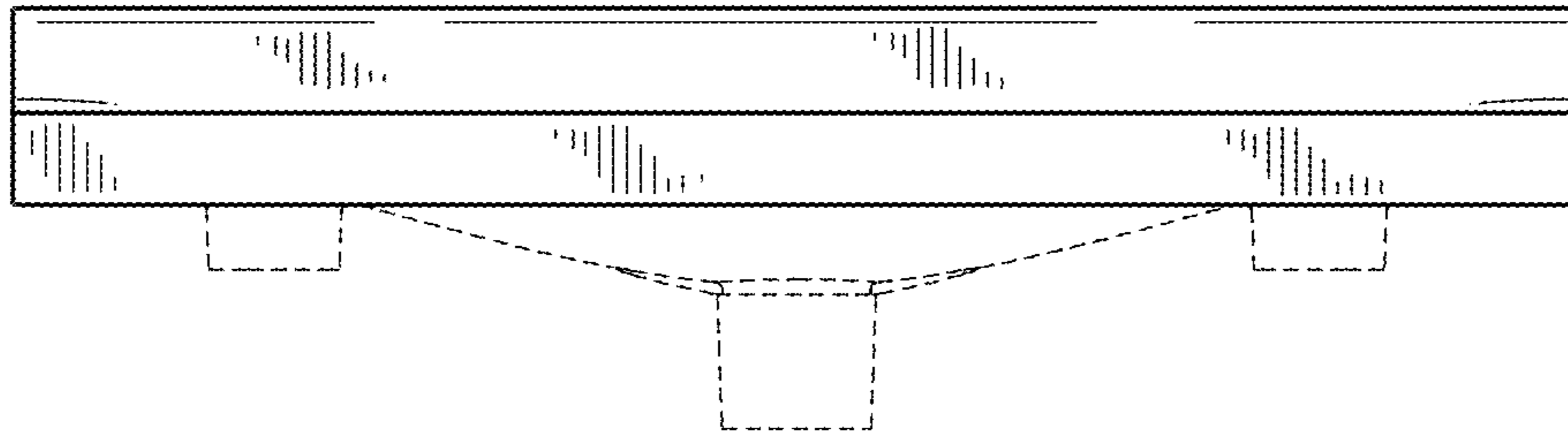


FIG. 3

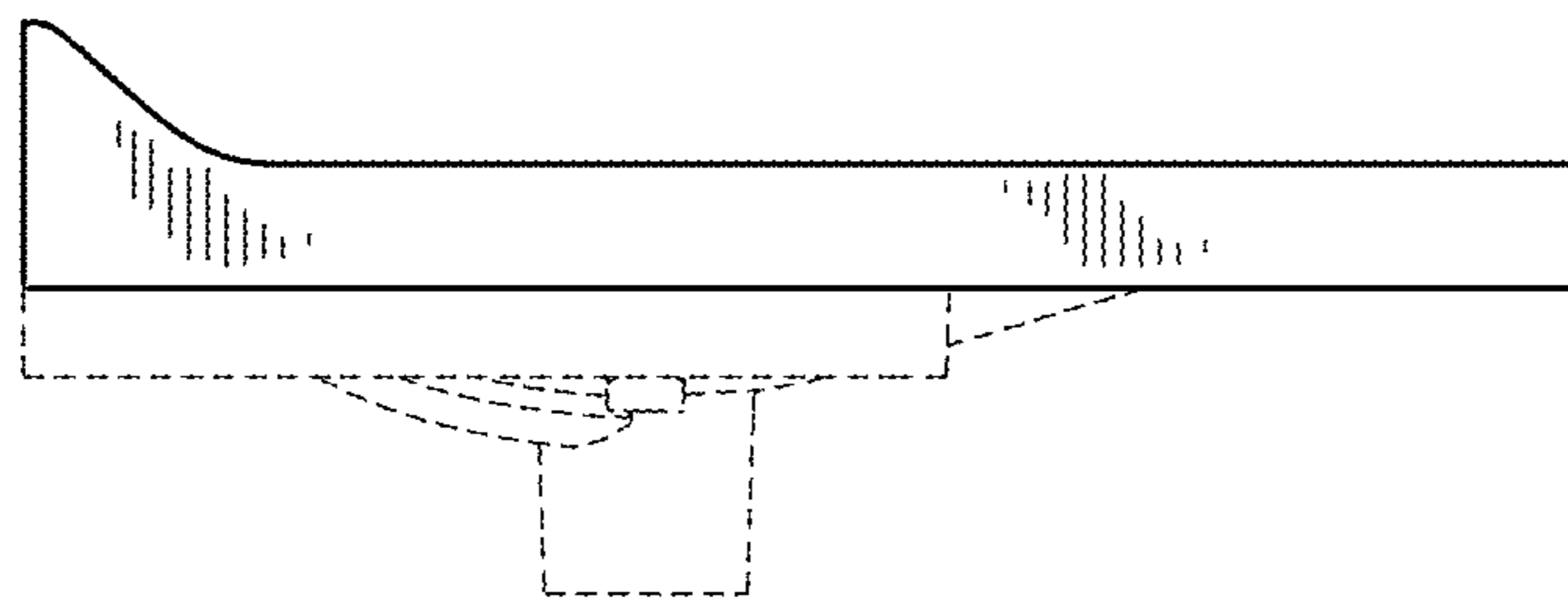


FIG. 4

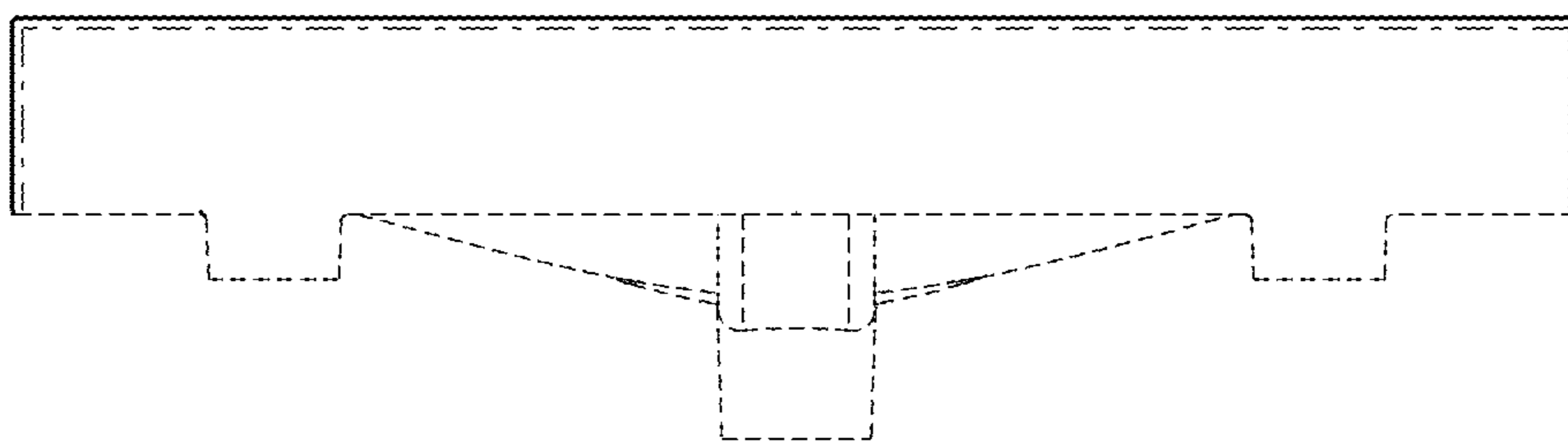


FIG. 5

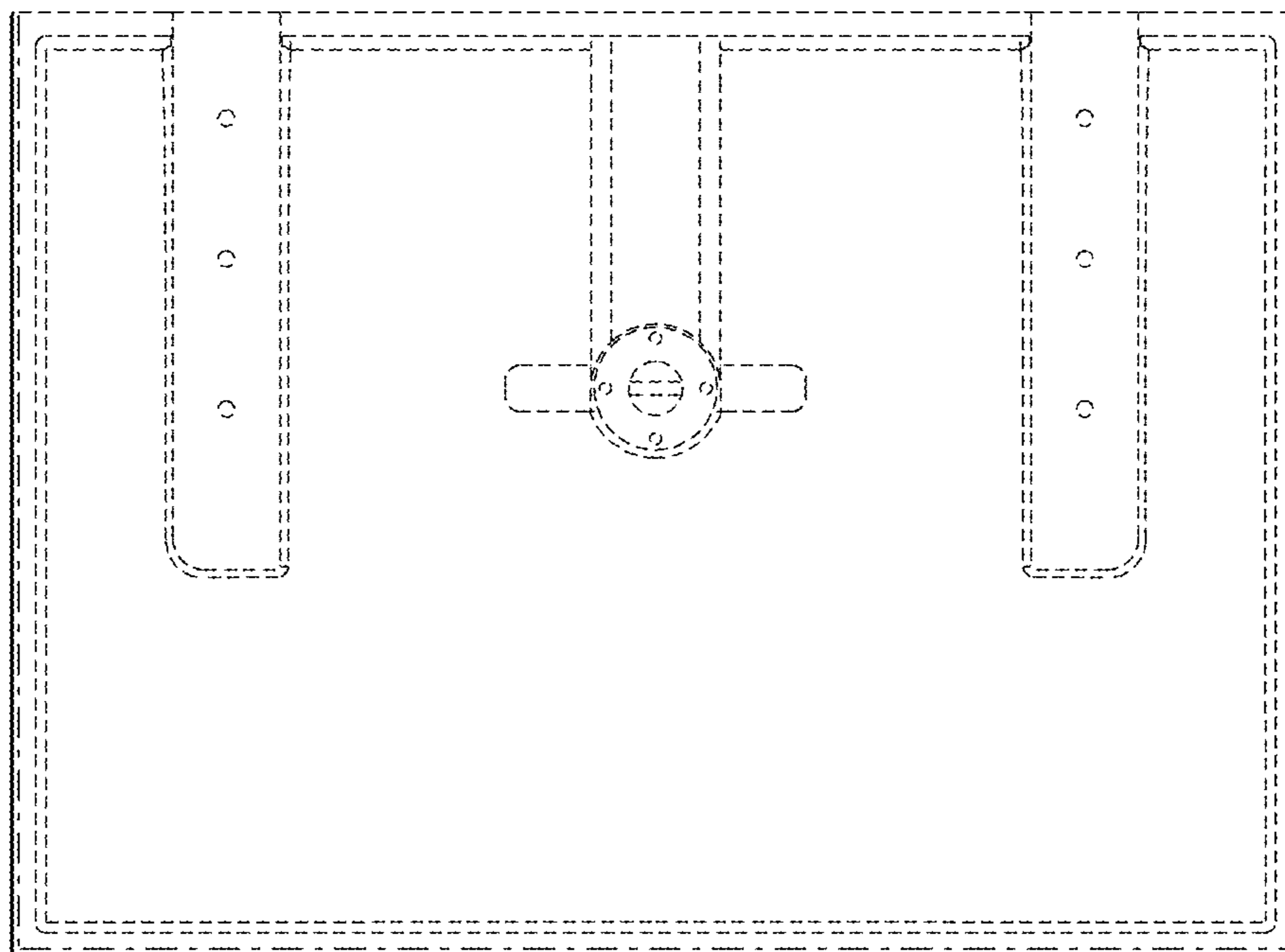


FIG. 6

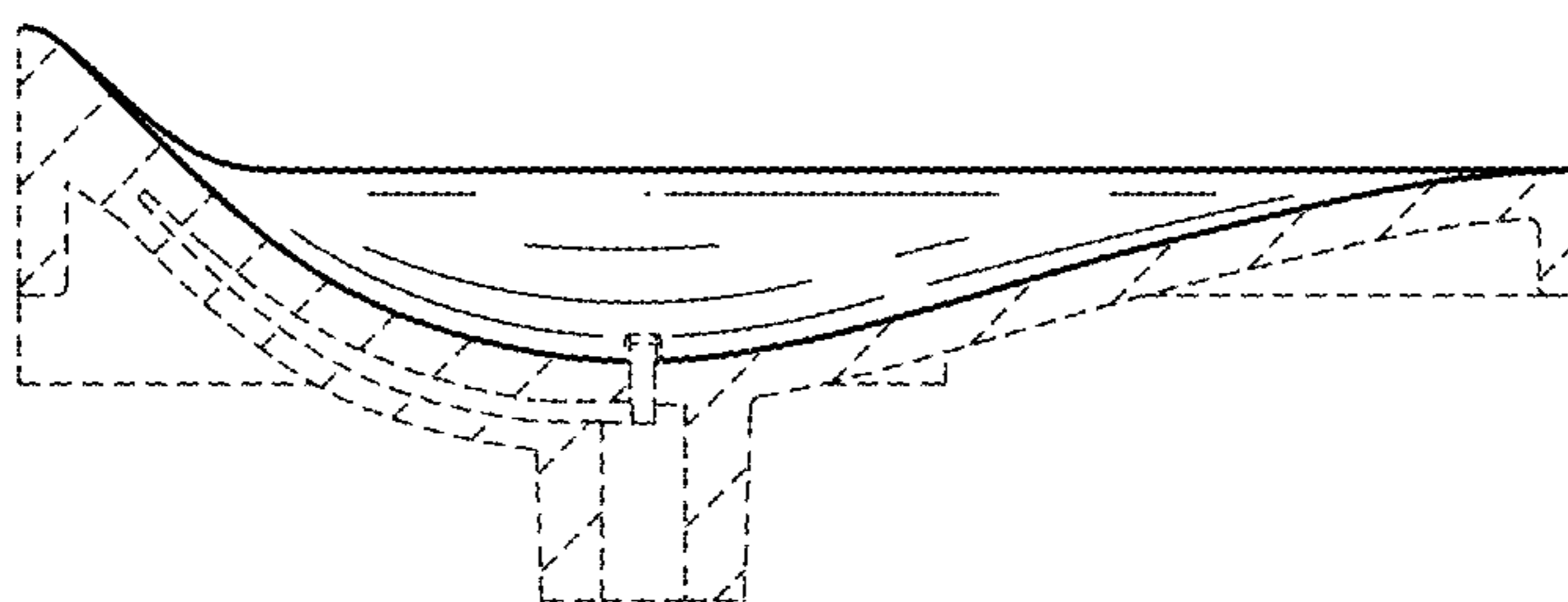


FIG. 7

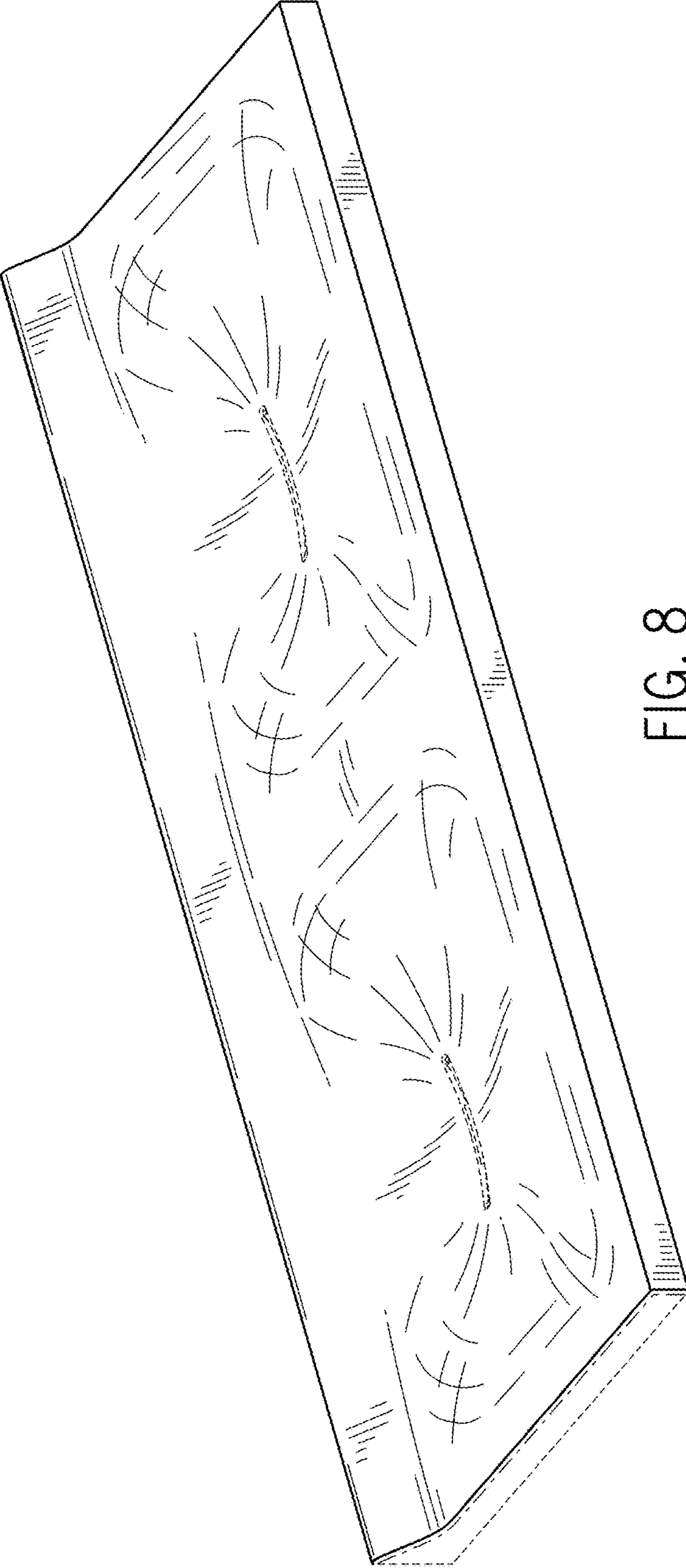


FIG. 8

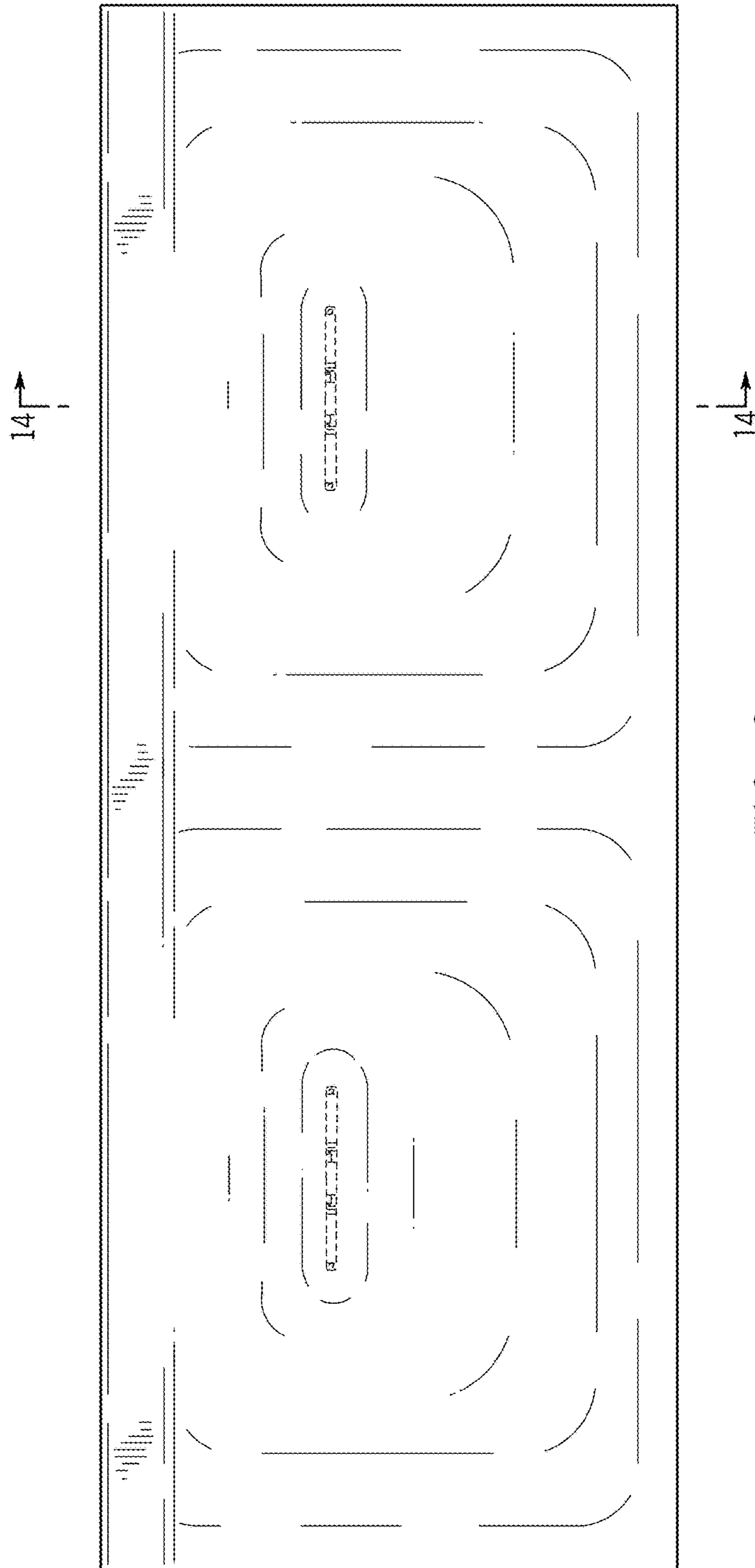


FIG. 9



FIG. 10

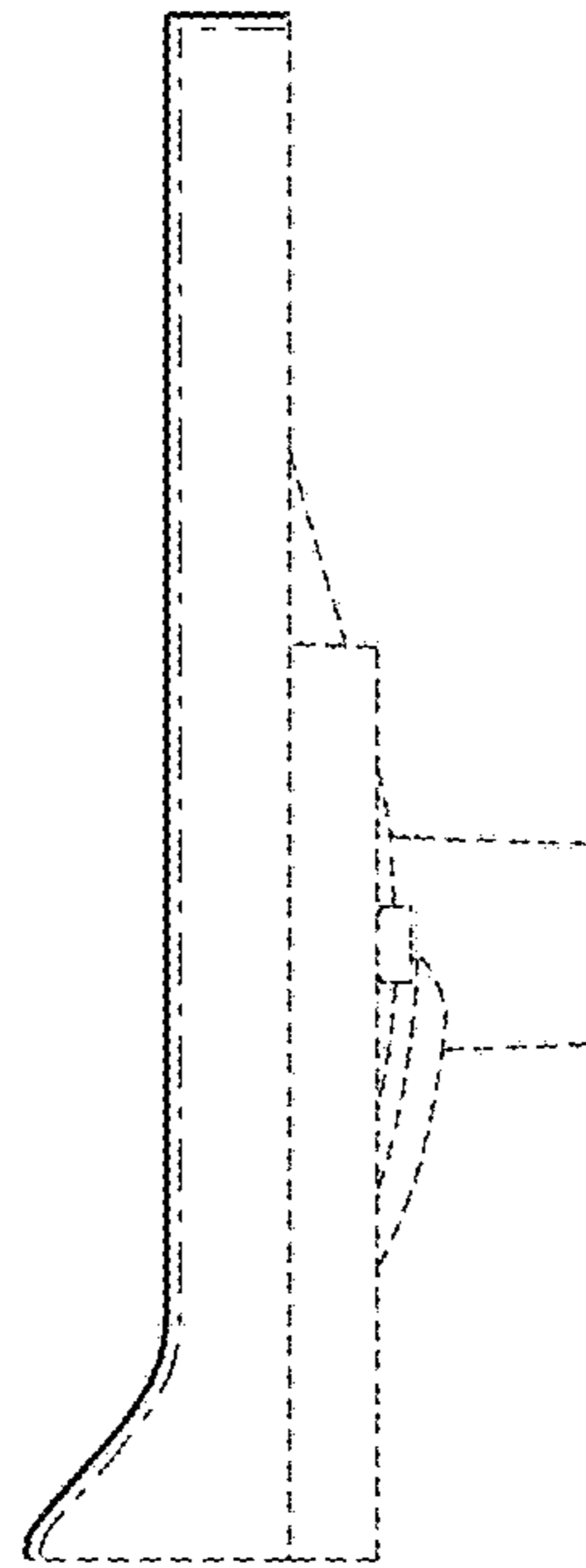


FIG. 11

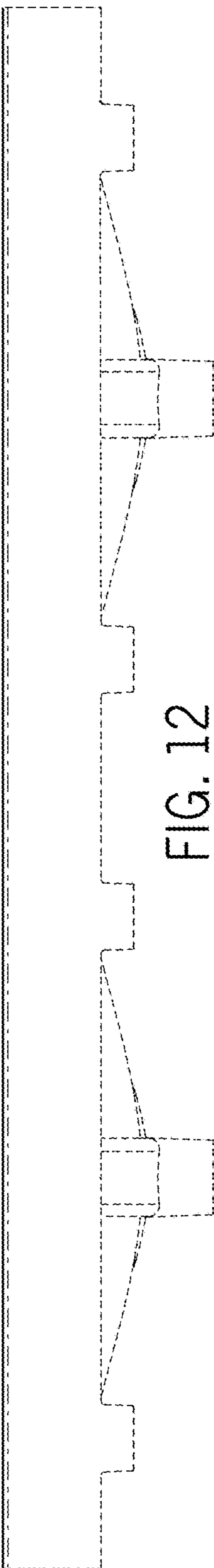


FIG. 12

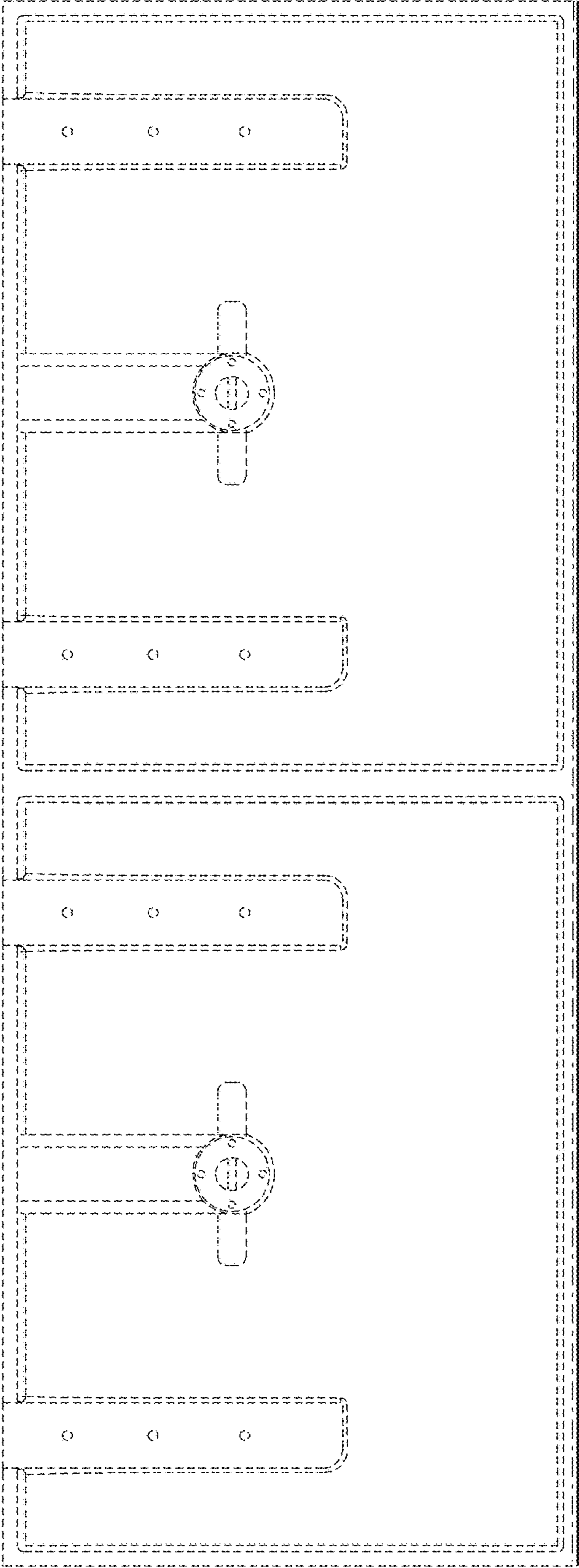


FIG. 13

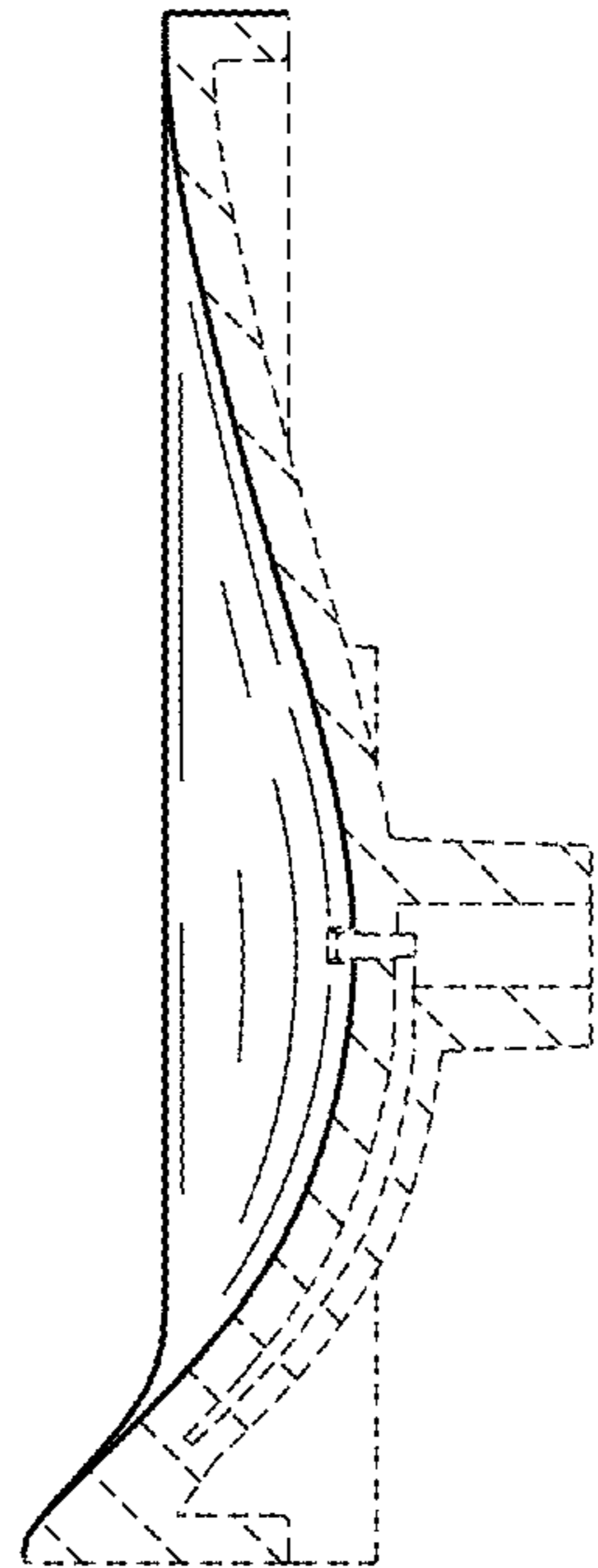


FIG. 14