



US00D810896S

(12) **United States Design Patent** (10) **Patent No.:** **US D810,896 S**
Streng (45) **Date of Patent:** **** Feb. 20, 2018**

(54) **SINK**

(71) Applicant: **Zurn Industries, LLC**, Milwaukee, WI (US)

(72) Inventor: **Christopher Richard Streng**, Carpentersville, IL (US)

(73) Assignee: **Zurn Industries, LLC**, Milwaukee, WI (US)

(**) Term: **15 Years**

(21) Appl. No.: **29/579,557**

(22) Filed: **Sep. 30, 2016**

(51) **LOC (11) Cl.** **23-02**

(52) **U.S. Cl.**
USPC **D23/293.1**

(58) **Field of Classification Search**
USPC D23/284-293.1, 303, 308
CPC A47K 1/04; A47J 47/20; A47B 77/06
See application file for complete search history.

(56) **References Cited**

U.S. PATENT DOCUMENTS

5,369,818 A 12/1994 Barnum et al.
5,611,093 A 3/1997 Barnum et al.
5,628,949 A 5/1997 Bordener
5,755,983 A 5/1998 Bordener

(Continued)

FOREIGN PATENT DOCUMENTS

CA 2228101 A1 8/1998

OTHER PUBLICATIONS

Zurn Sundara Reef reference found online [Aug. 2, 2017]—<http://www.zurn.com/products/finish-plumbing/handwashing-systems/z5001-02>.*

Primary Examiner — Robert M. Spear

Assistant Examiner — John A Voytek

(74) *Attorney, Agent, or Firm* — Quarles & Brady LLP

(57) **CLAIM**

The ornamental design for a sink, as shown and described.

DESCRIPTION

FIG. 1 is a top, front, and left side perspective view of a sink in accordance with a first embodiment of the design; FIG. 2 is a bottom, front, and left side perspective view of a sink of FIG. 1;

FIG. 3 is a top plan view of the sink of FIG. 1; FIG. 4 is a front elevational view of the sink of FIG. 1; FIG. 5 is a left side elevational view of the sink of FIG. 1; FIG. 6 is a right side elevational view of the sink of FIG. 1; FIG. 7 is a rear elevational view of the sink of FIG. 1; FIG. 8 is a bottom plan view of the sink of FIG. 1;

FIG. 9 is a cross-sectional side view of the sink of FIG. 1 taken through line 9-9 of FIG. 3;

FIG. 10 is a top, front, and left side perspective view of a sink in accordance with a second embodiment of the design, which has two basins.

FIG. 11 is a bottom, front, and left side perspective view of the sink of FIG. 10;

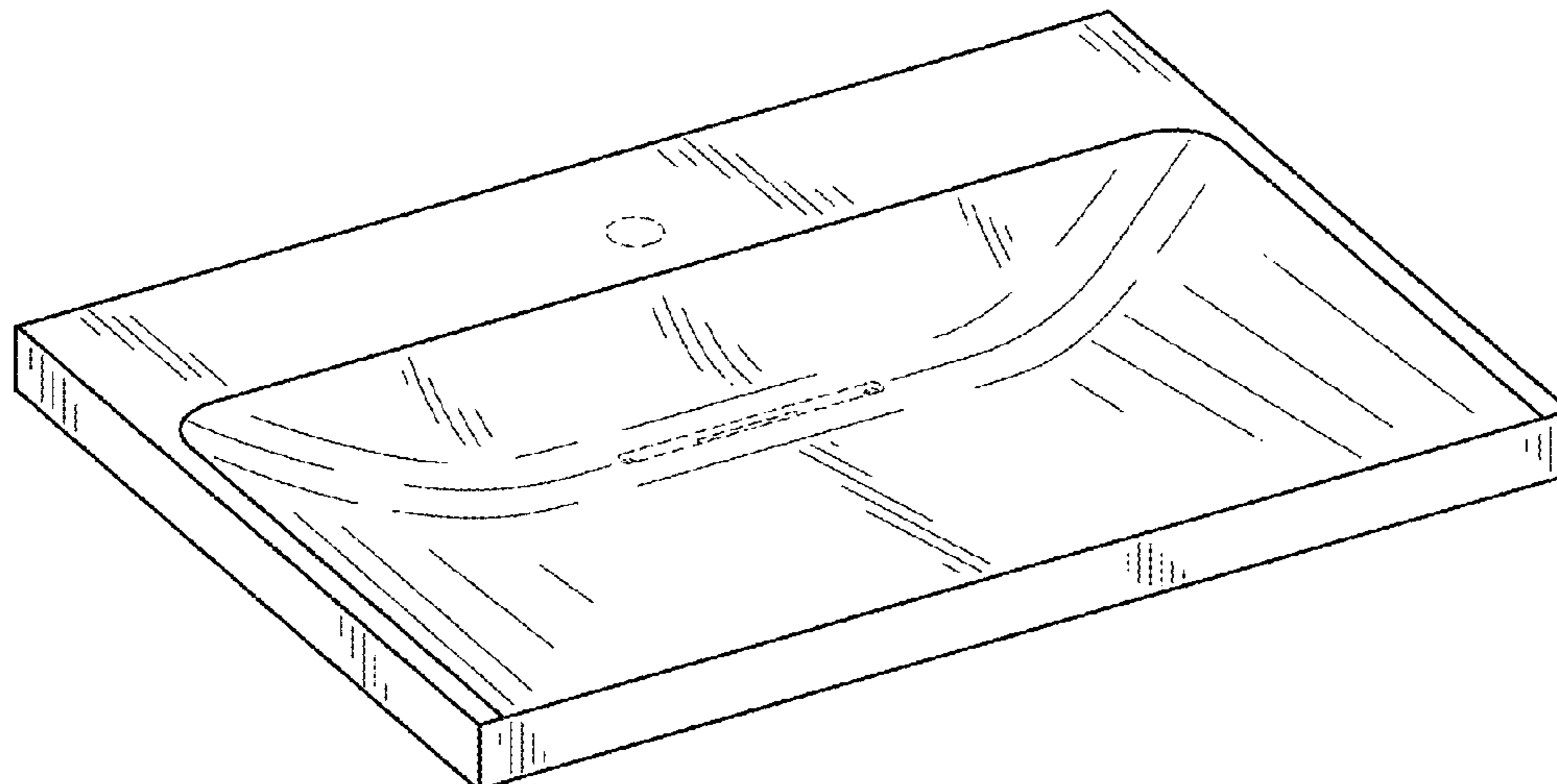
FIG. 12 is a top plan view of the sink of FIG. 10; FIG. 13 is a front elevational view of the sink of FIG. 10; FIG. 14 is a left side elevational view of the sink of FIG. 10; FIG. 15 is a right side elevational view of the sink of FIG. 10;

FIG. 16 is a rear elevational view of the sink of FIG. 10; FIG. 17 is a bottom plan view of the sink of FIG. 10; and, FIG. 18 is a cross-sectional side view of the sink of FIG. 10 taken through line 18-18 of FIG. 12.

The broken lines illustrate unclaimed subject matter only and form no part of the claimed design.

The sink is shown with a symbolic break in its length. The appearance of any portion of the article between the break lines forms no part of the claimed design.

1 Claim, 11 Drawing Sheets



(56)

References Cited

U.S. PATENT DOCUMENTS

5,766,500 A 6/1998 Bordener
 5,868,957 A 2/1999 Bordener
 5,885,503 A 3/1999 Bordener
 5,906,875 A 5/1999 Bordener
 D411,876 S 7/1999 Hafner et al.
 D415,261 S 10/1999 Thomas
 6,000,673 A 12/1999 Bordener
 6,360,381 B1 3/2002 Fitzgerald, Sr.
 D455,200 S 4/2002 Marshall
 6,517,897 B1 2/2003 Bordener
 D472,966 S 4/2003 Molinaro
 D474,835 S 5/2003 Kahle et al.
 D477,060 S 7/2003 Loberger et al.
 6,656,561 B1 12/2003 Subbulu
 D484,958 S 1/2004 Loberger et al.
 D501,674 S 2/2005 Adkison
 D508,117 S 8/2005 Loberger et al.
 D511,205 S 11/2005 Loberger et al.
 D511,821 S 11/2005 Loberger et al.
 7,001,558 B2 2/2006 Baldoni
 D518,560 S 4/2006 Arkay-Leliever
 D527,085 S 8/2006 Loberger et al.
 D527,809 S 9/2006 Loberger et al.
 D538,905 S * 3/2007 Wano D23/293.1
 D549,508 S 8/2007 Clark et al.
 D560,777 S * 1/2008 Hanna D23/293.1
 D560,783 S 1/2008 Marshall et al.
 D560,784 S 1/2008 Marshall et al.
 D585,116 S * 1/2009 Thalmann Gomez D23/284
 D588,676 S 3/2009 Loberger et al.
 D591,839 S 5/2009 Loberger et al.
 D598,990 S 8/2009 Durringer et al.
 D601,674 S 10/2009 Hanna
 D601,679 S * 10/2009 Soulier D23/293.1
 D609,315 S * 2/2010 Soulier D23/293.1
 D610,242 S 2/2010 Loberger et al.

D611,128 S * 3/2010 Soulier D23/293.1
 D614,273 S 4/2010 Loberger et al.
 D625,792 S 10/2010 Rundberg et al.
 D628,280 S 11/2010 Loberger et al.
 D629,877 S 12/2010 Rundberg
 D633,992 S 3/2011 Rundberg et al.
 D634,827 S * 3/2011 Tanus D23/308
 7,952,233 B2 5/2011 Bayley et al.
 D640,778 S 6/2011 Rundberg
 D641,842 S 7/2011 Loberger et al.
 D642,664 S 8/2011 Rundberg et al.
 D645,548 S * 9/2011 Ando D23/284
 D649,232 S 11/2011 Rundberg
 8,113,483 B2 2/2012 Bayley et al.
 8,141,177 B1 3/2012 Majocka et al.
 8,181,289 B2 5/2012 Schmitt et al.
 D663,016 S 7/2012 Figurski et al.
 8,296,875 B2 10/2012 Loberger et al.
 D674,967 S 1/2013 Figurski et al.
 D680,202 S 4/2013 Figurski et al.
 D681,177 S 4/2013 Young et al.
 D691,248 S * 10/2013 McGuire D23/308
 8,857,786 B2 10/2014 Bayley et al.
 8,950,019 B2 2/2015 Loberger et al.
 8,984,679 B2 3/2015 Bayley et al.
 8,997,271 B2 4/2015 Bayley et al.
 D745,122 S 12/2015 Schonherr et al.
 D745,951 S 12/2015 Schonherr et al.
 2004/0128755 A1 7/2004 Loberger et al.
 2005/0035693 A1 2/2005 Reamer
 2005/0205818 A1 9/2005 Bayley et al.
 2006/0185074 A1 8/2006 Loberger et al.
 2007/0138685 A1 6/2007 Trinder et al.
 2008/0005833 A1 1/2008 Bayley et al.
 2008/0115266 A1 5/2008 Loberger et al.
 2010/0132112 A1 6/2010 Bayley et al.
 2014/0223658 A1 8/2014 Kempen et al.
 2014/0250589 A1 9/2014 Sgarlata et al.

* cited by examiner

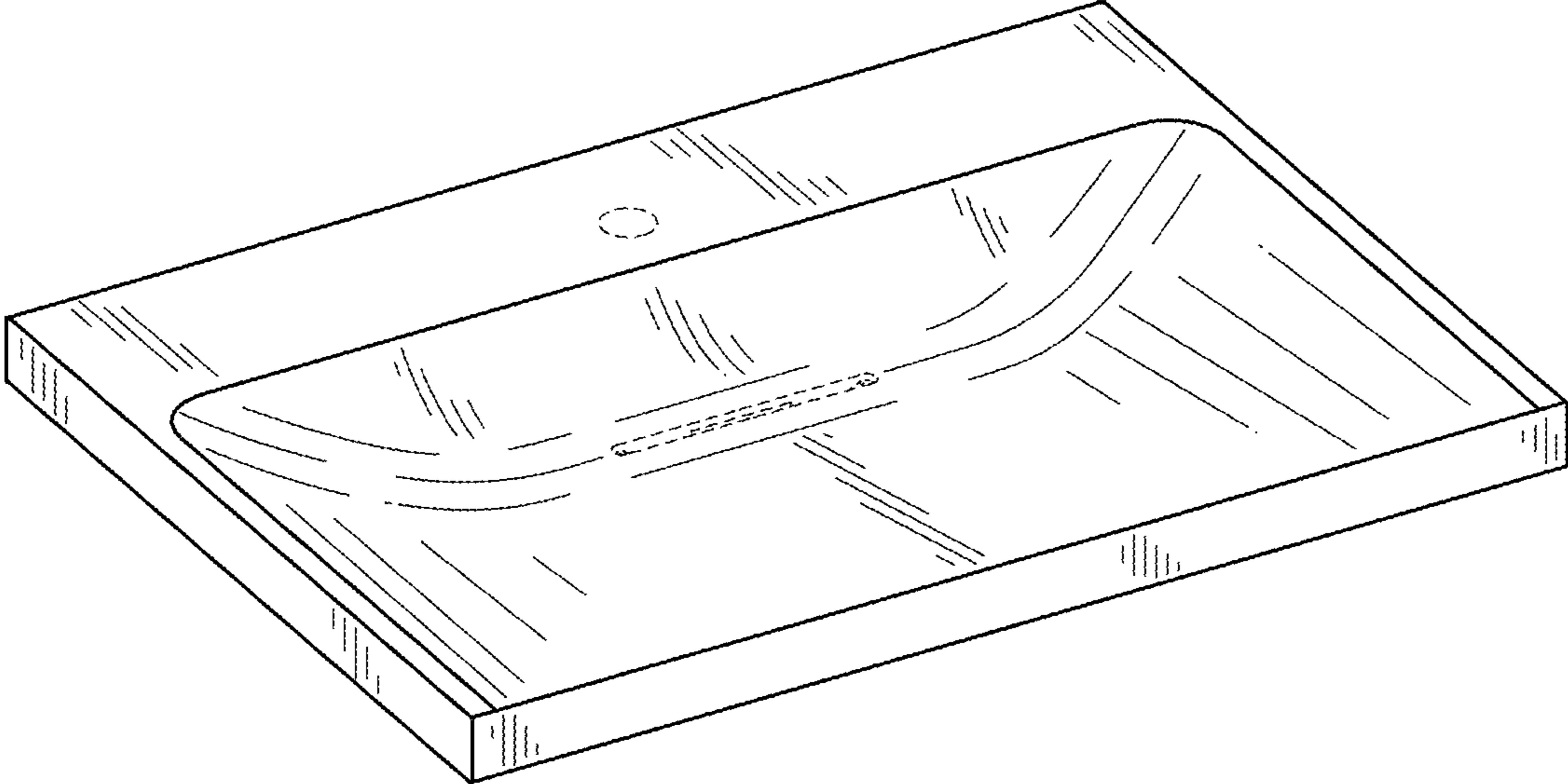


FIG. 1

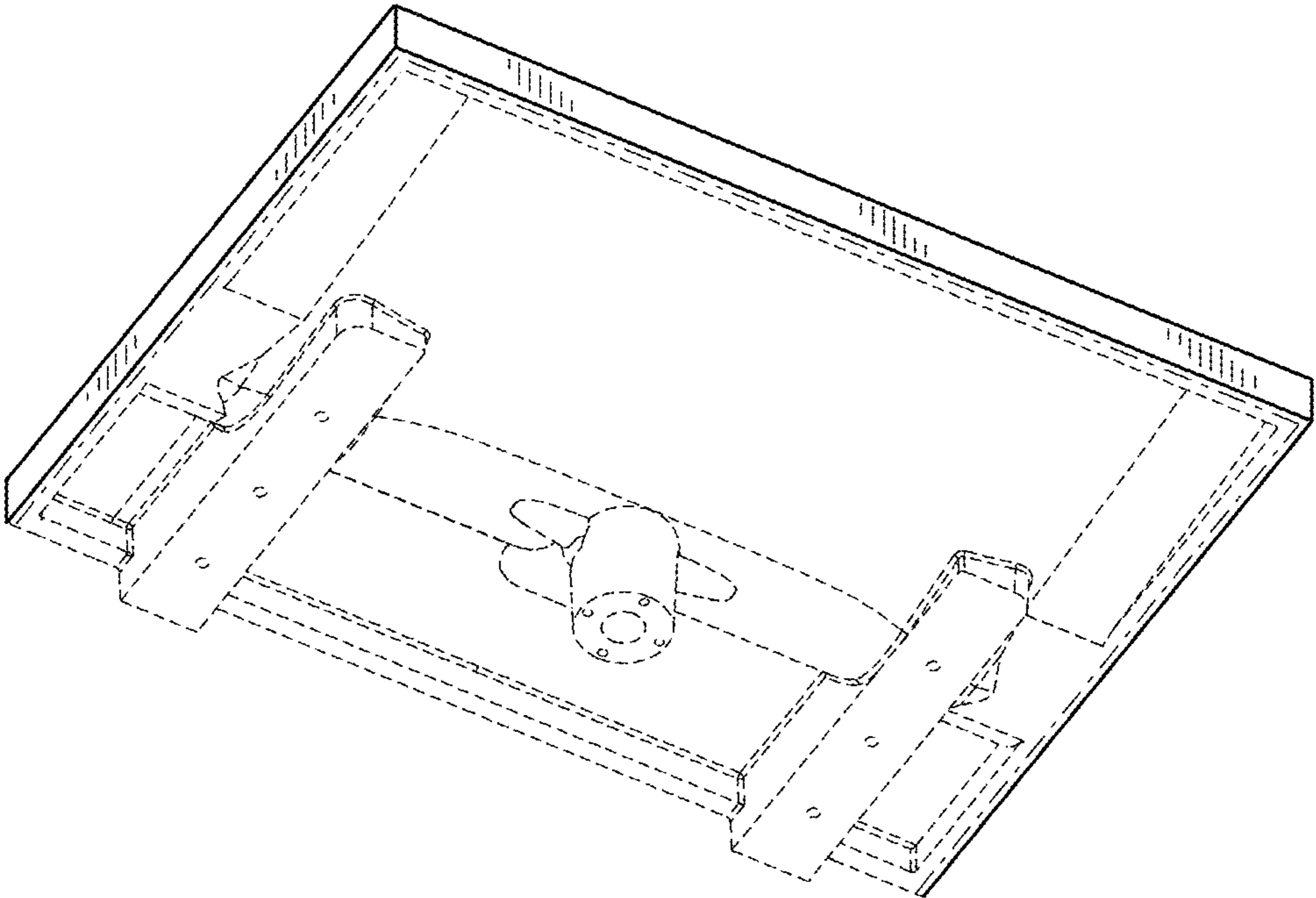


FIG. 2

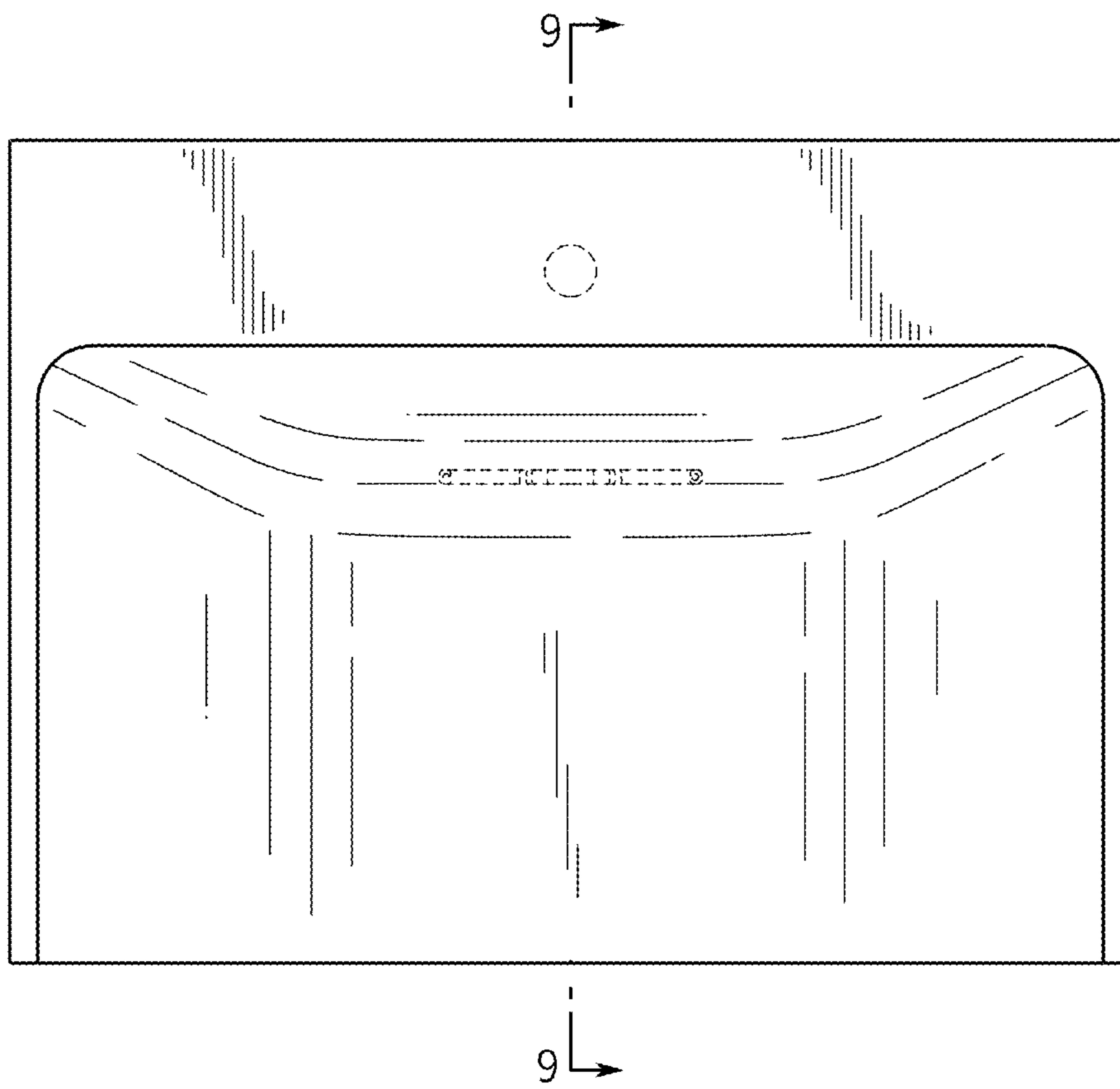


FIG. 3

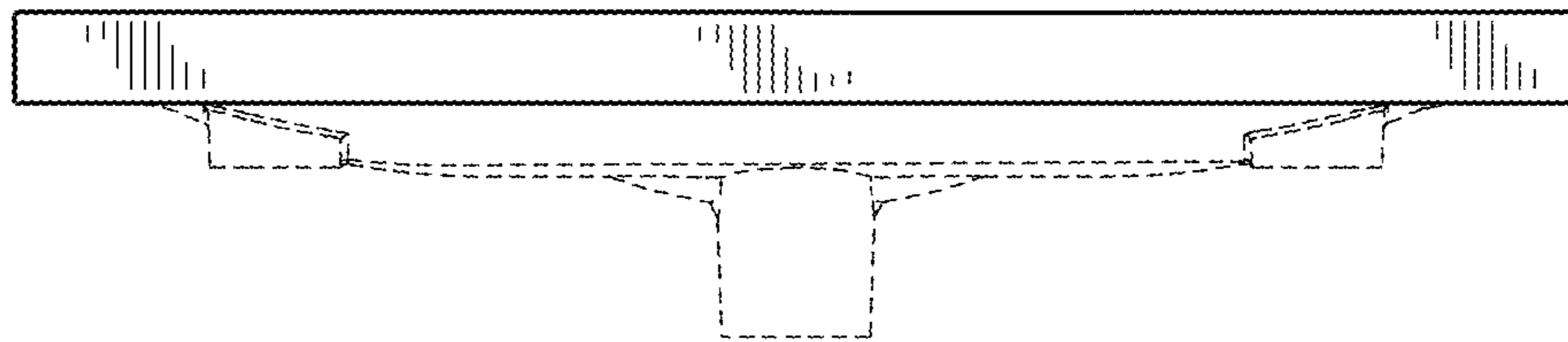


FIG. 4

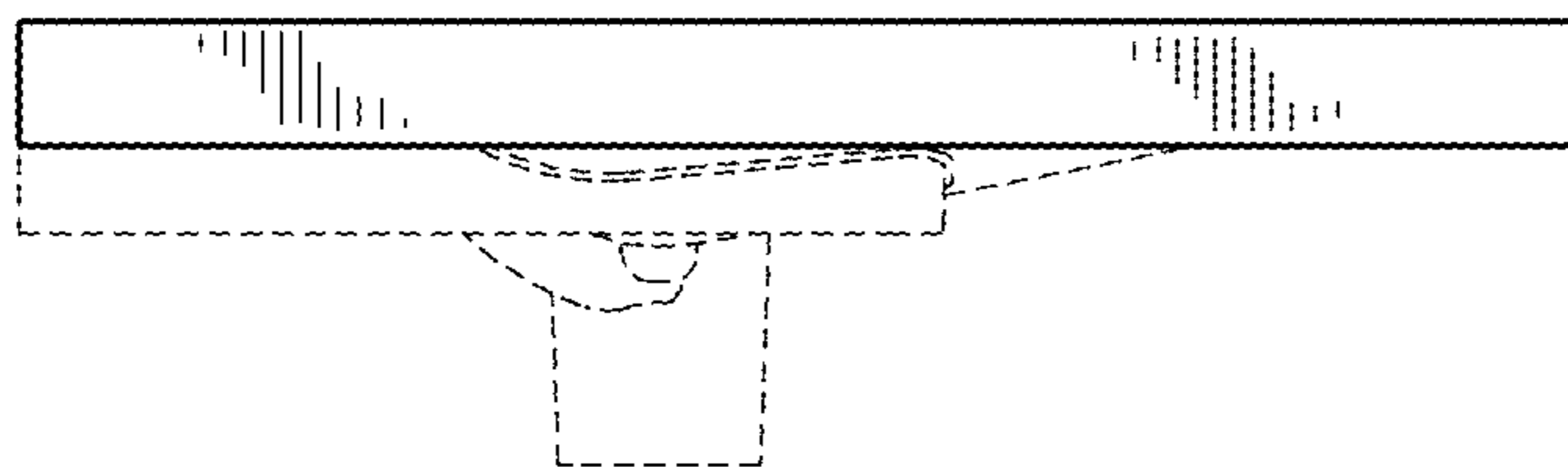


FIG. 5

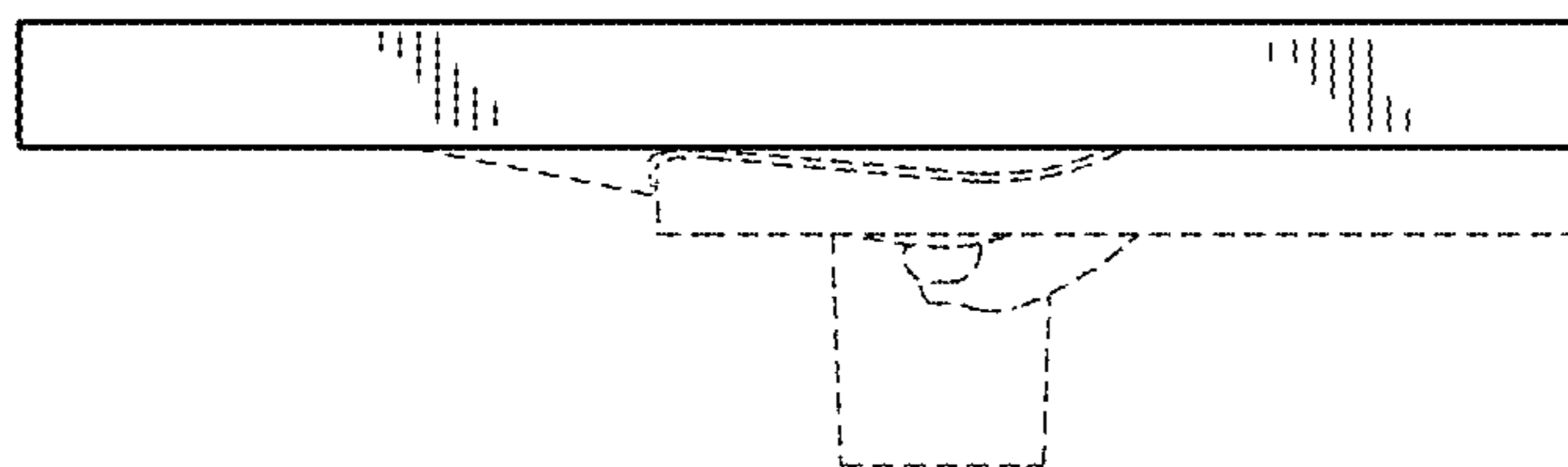


FIG. 6

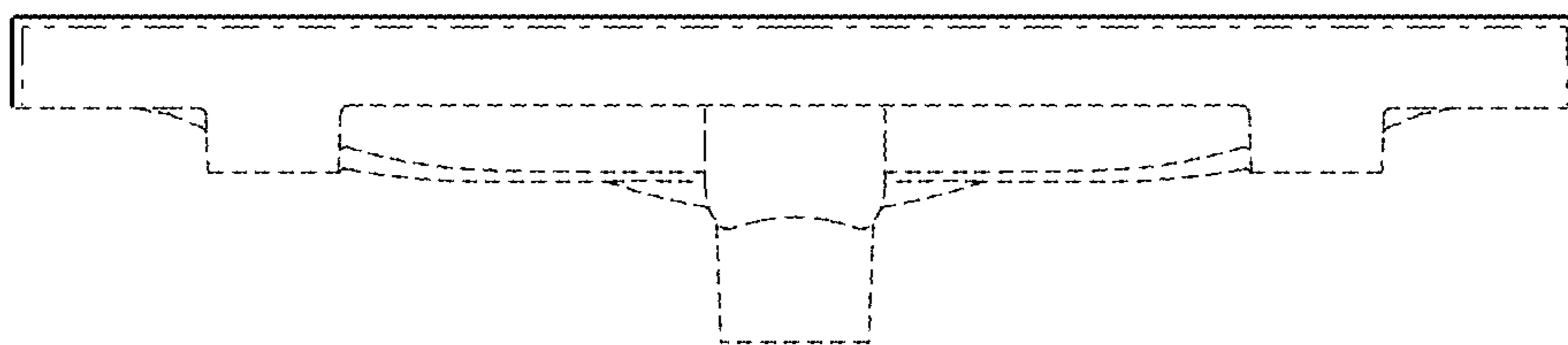


FIG. 7

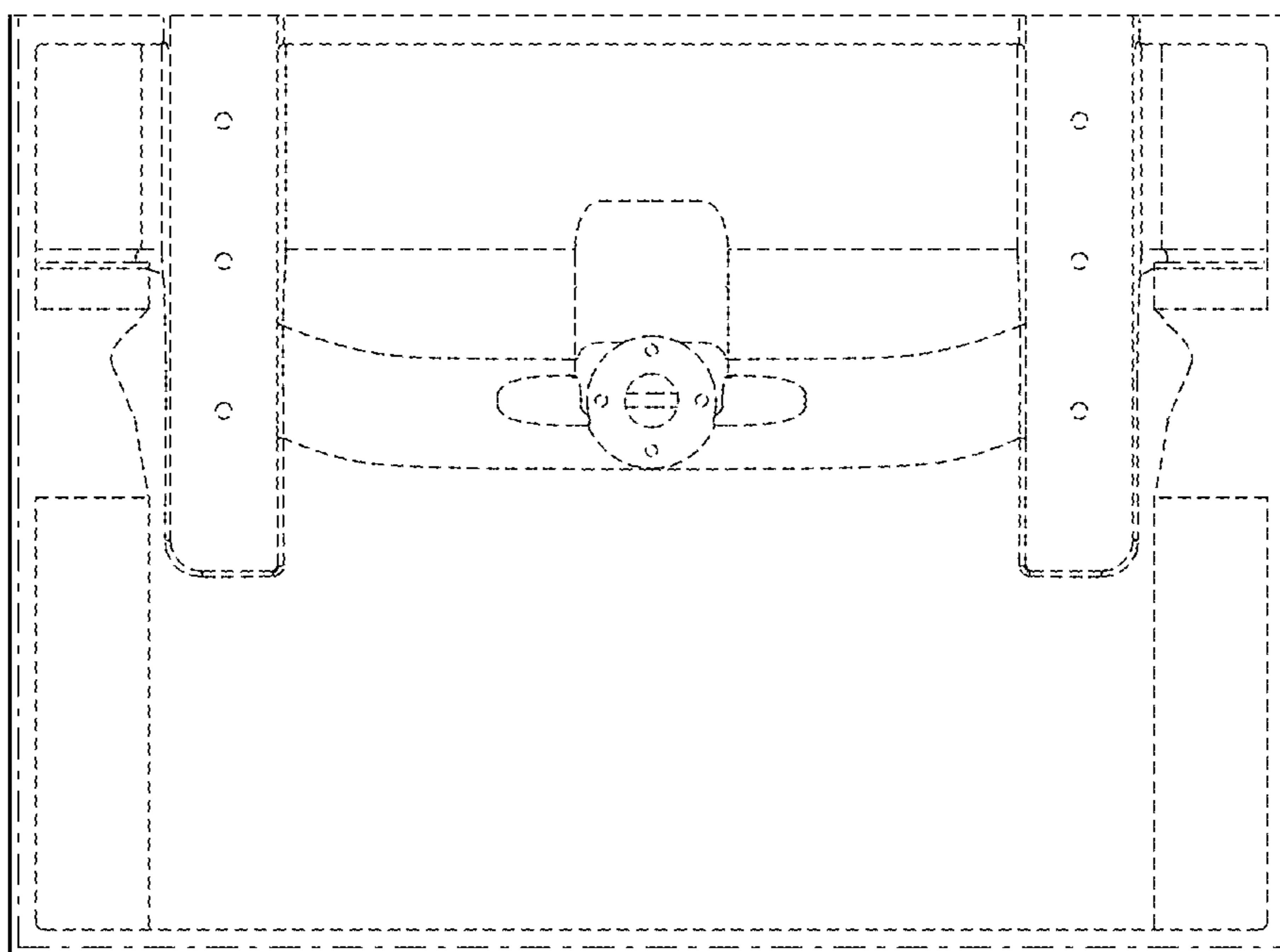


FIG. 8

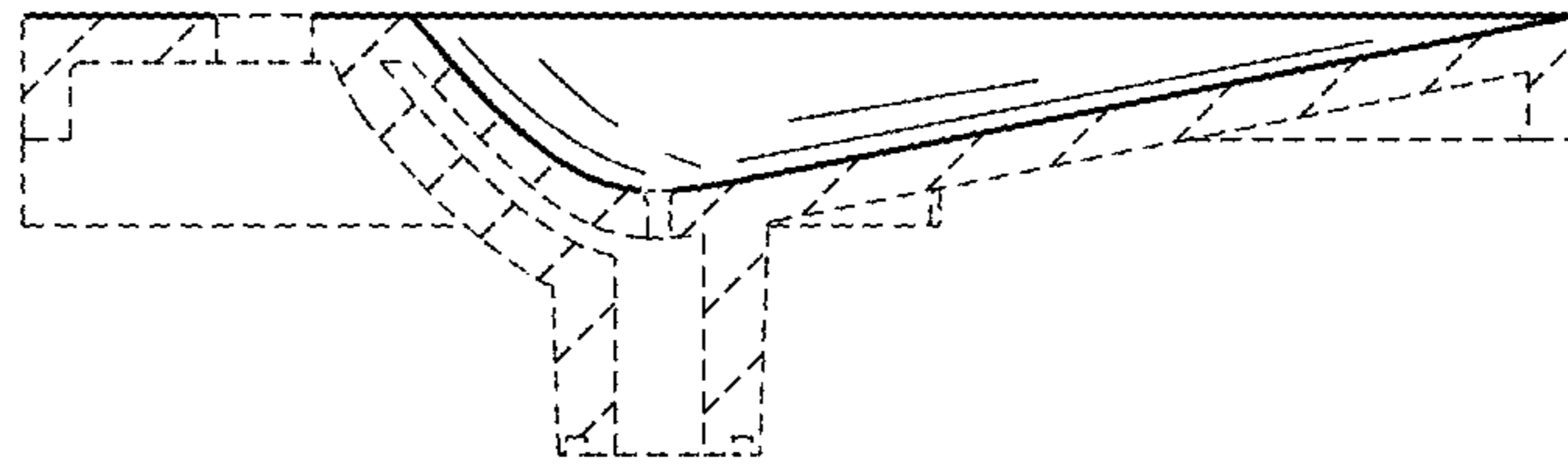


FIG. 9

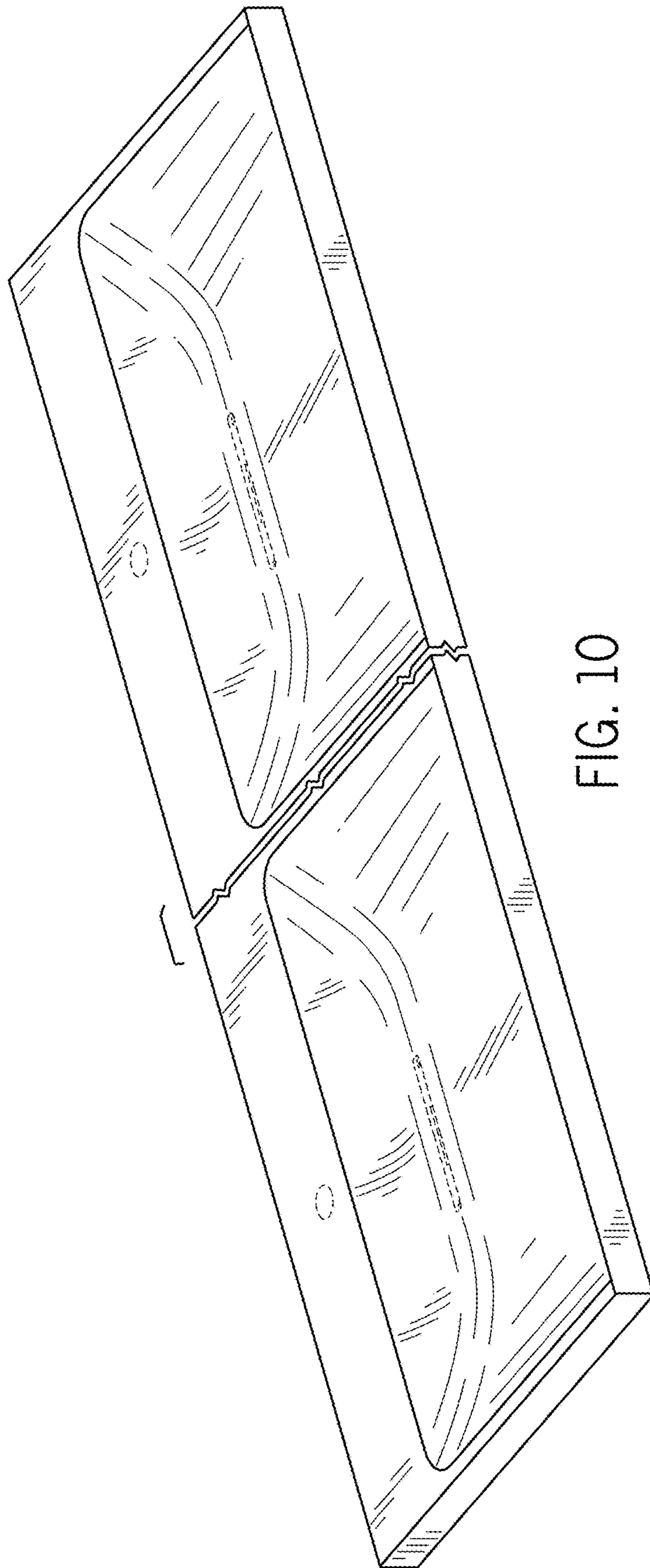


FIG. 10

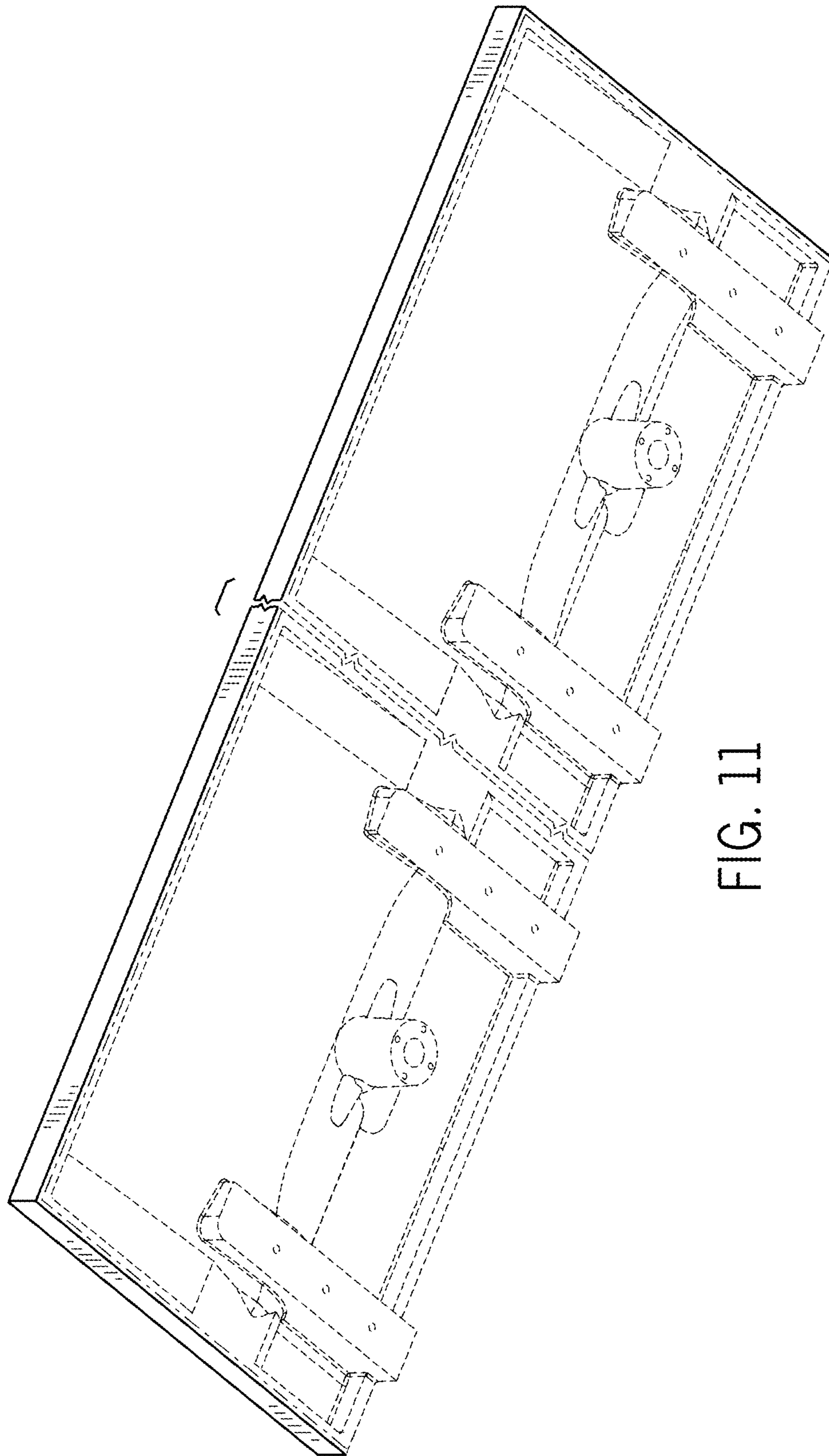


FIG. 11

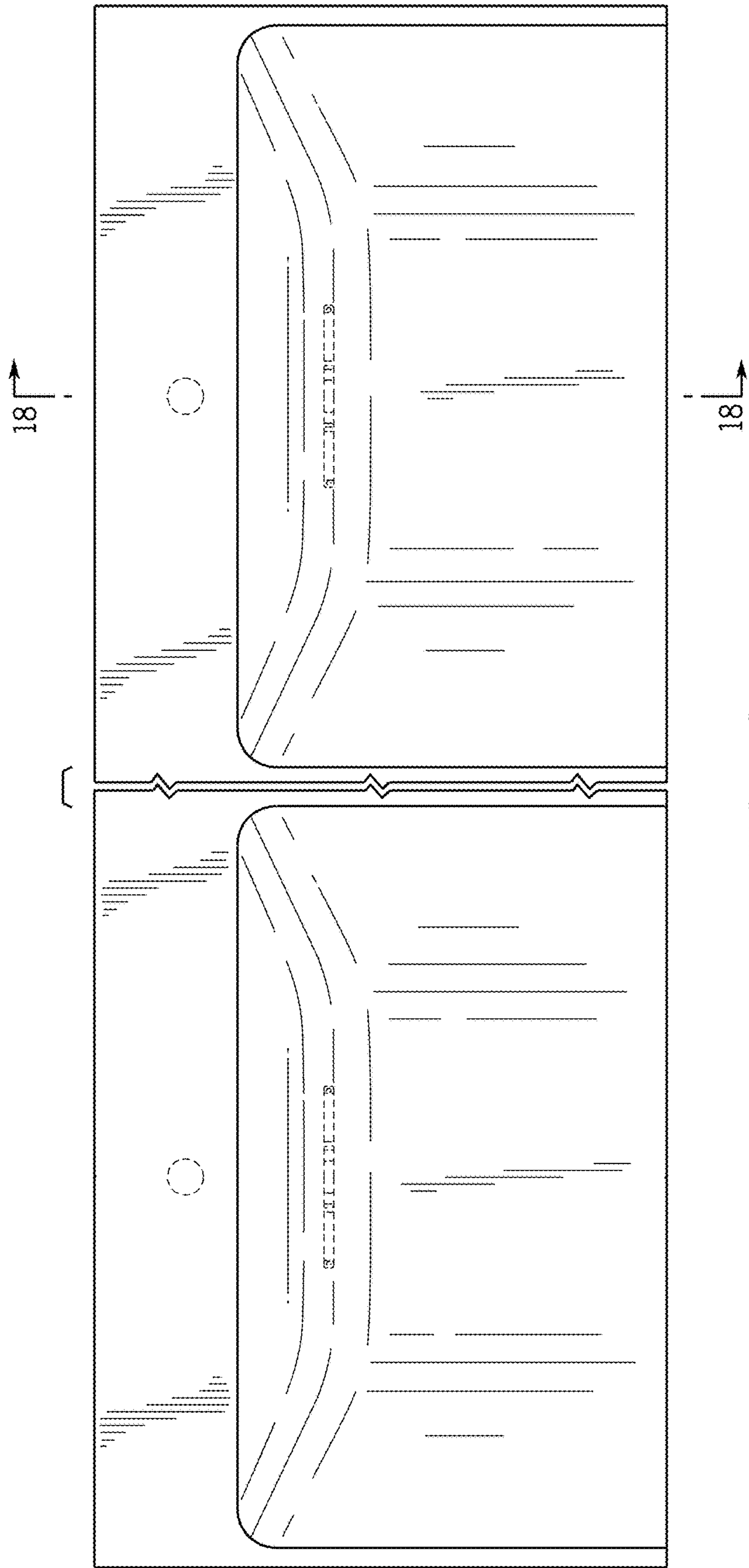


FIG. 12

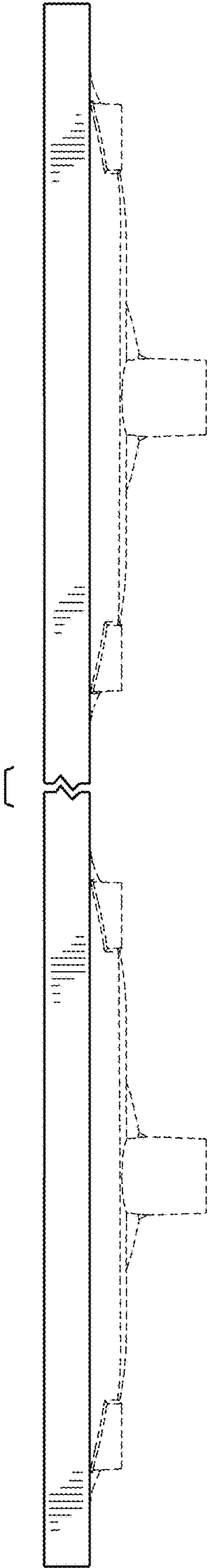


FIG. 13

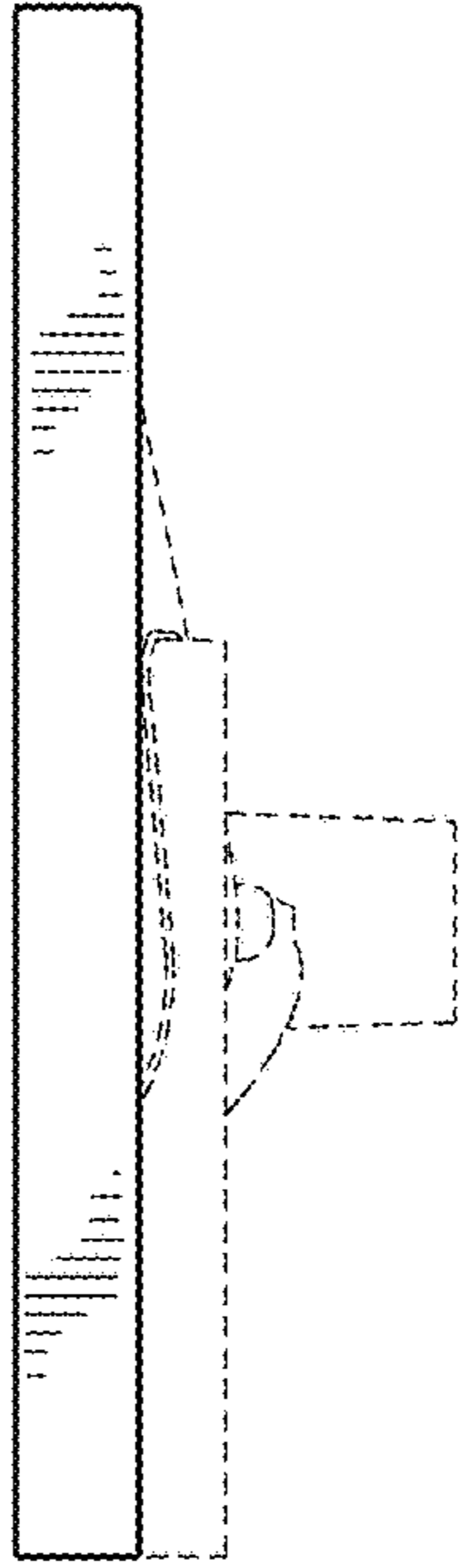


FIG. 14

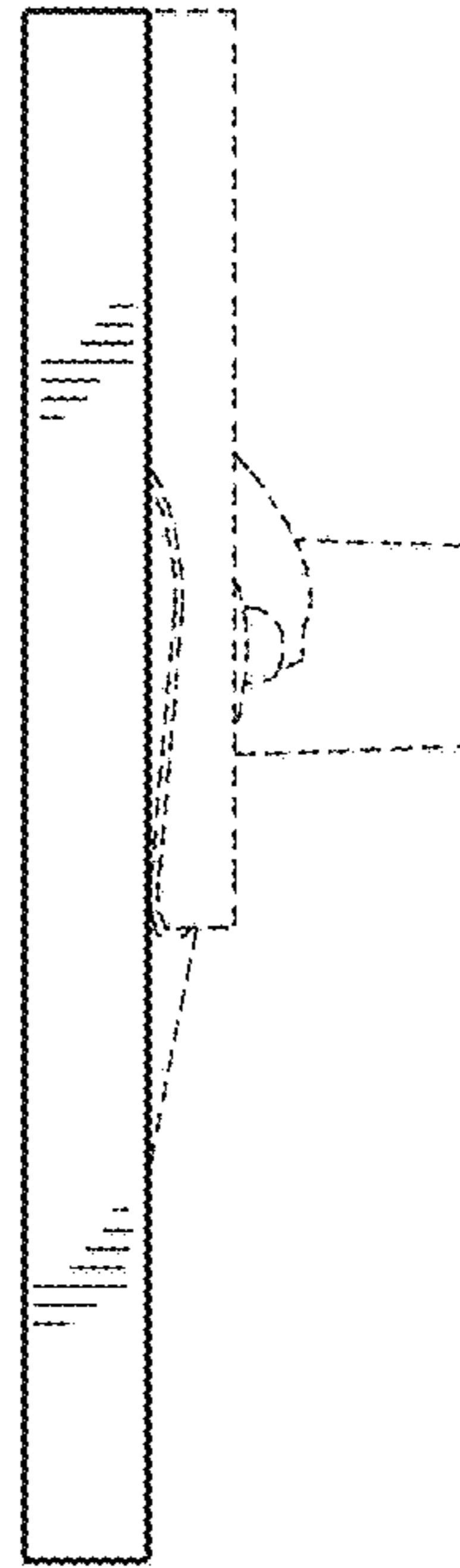
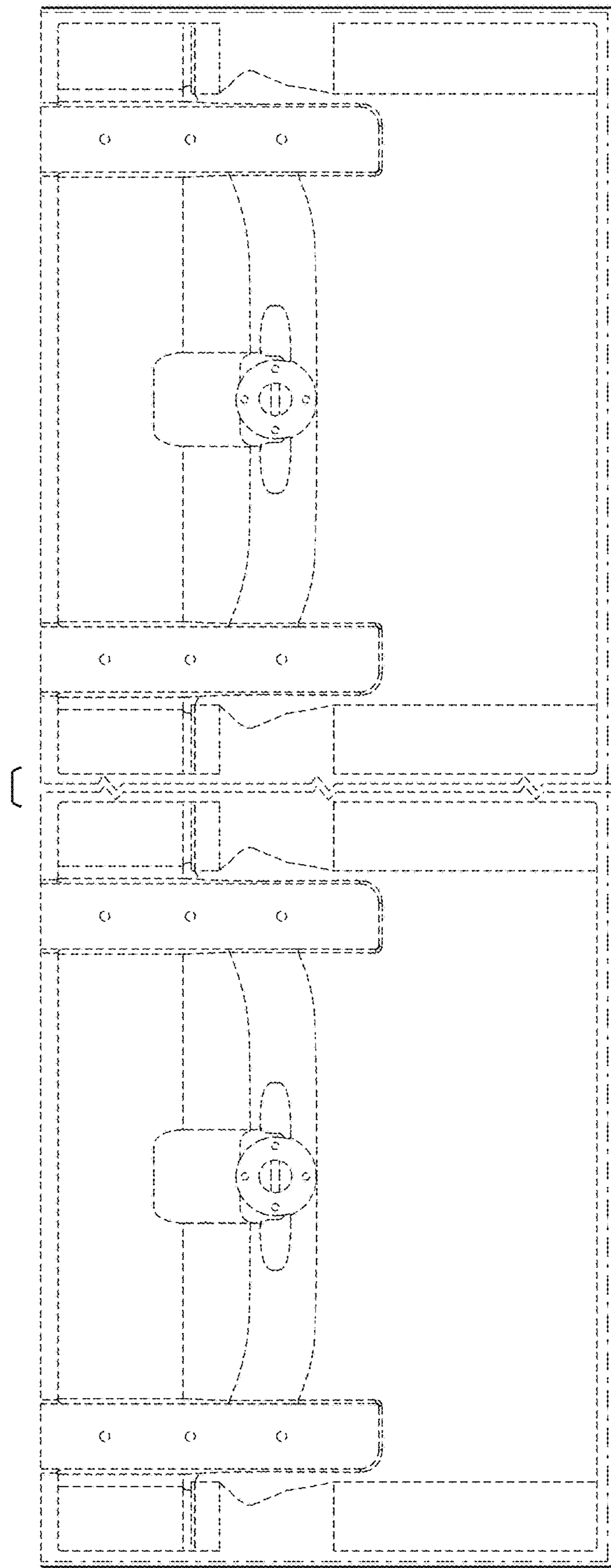
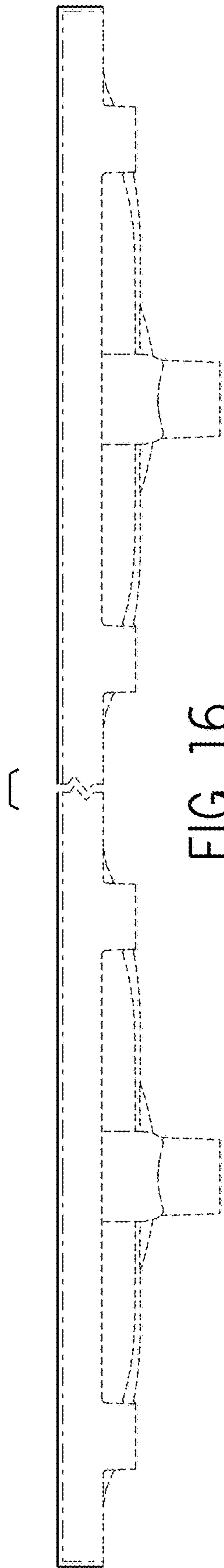


FIG. 15



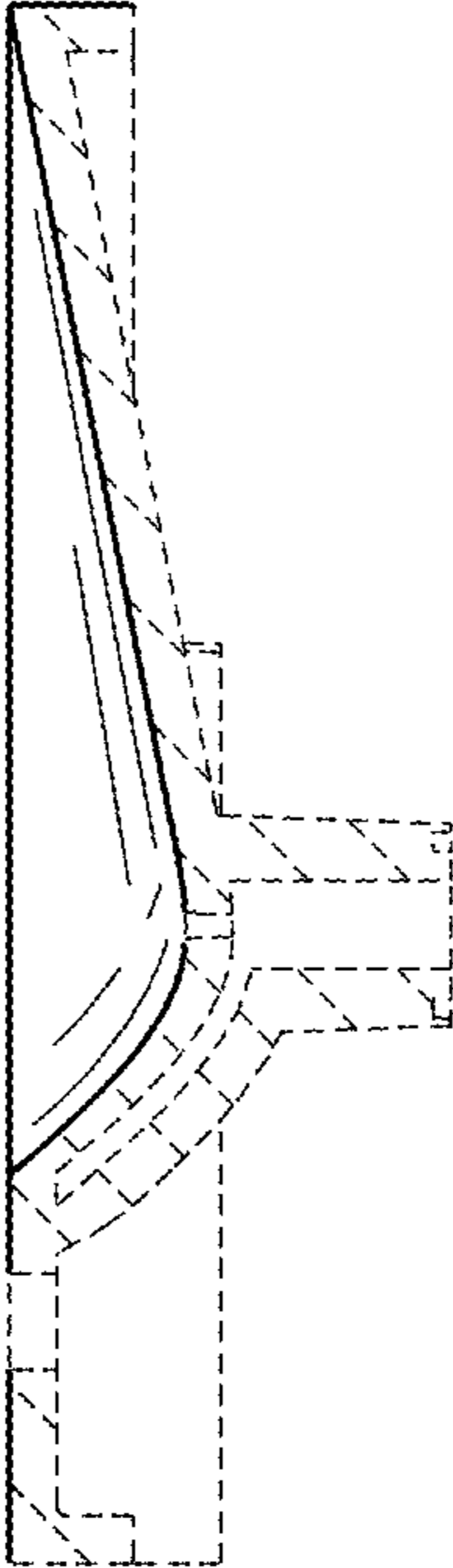


FIG. 18