



US00D810895S

(12) **United States Design Patent**
Schoenherr et al.

(10) **Patent No.:** **US D810,895 S**
(45) **Date of Patent:** **** Feb. 20, 2018**

(54) **WASH BASIN**
(71) Applicant: **HANSGROHE SE**, Schiltach (DE)
(72) Inventors: **Tom Schoenherr**, Stuttgart (DE);
Andreas Diefenbach,
Ludwigsburg-Obweil (DE); **Yunwei**
Zhu, Stuttgart (DE)

D627,448 S * 11/2010 Kehrer D23/290
D669,562 S * 10/2012 Booth D23/290
D707,802 S * 6/2014 Jepson D23/290
D708,307 S * 7/2014 Kurth D23/290
2009/0094741 A1* 4/2009 Valadez E03C 1/186
4/658
2015/0230667 A1* 8/2015 Palazzolo E03C 1/186
4/654

(73) Assignee: **Hansgrohe SE**, Schiltach (DE)

(**) Term: **15 Years**

(21) Appl. No.: **29/560,130**

(22) Filed: **Apr. 4, 2016**

(30) **Foreign Application Priority Data**

Oct. 6, 2015 (EM) 002811992

(51) **LOC (11) Cl.** **23-02**

(52) **U.S. Cl.**
USPC **D23/290**

(58) **Field of Classification Search**
USPC D23/284, 293.1, 287-292, 303, 308;
D9/425

CPC A47K 1/04; A47B 77/06; A47J 47/20
See application file for complete search history.

(56) **References Cited**

U.S. PATENT DOCUMENTS

D527,808 S * 9/2006 Wozniczka D23/290
D547,837 S * 7/2007 Ziemann D23/290

FOREIGN PATENT DOCUMENTS

CN 303566204 S 1/2016

* cited by examiner

Primary Examiner — Robert M Spear

Assistant Examiner — John Voytek

(74) *Attorney, Agent, or Firm* — Lora J. Graentzdoerffer

(57) **CLAIM**

The ornamental design for a wash basin, as shown and described.

DESCRIPTION

FIG. 1 is a perspective view of a wash basin showing our design; and,

FIG. 2 is a top plan view.

The broken-line disclosure in the view represents a portion of the article which forms no part of the claimed design.

1 Claim, 2 Drawing Sheets

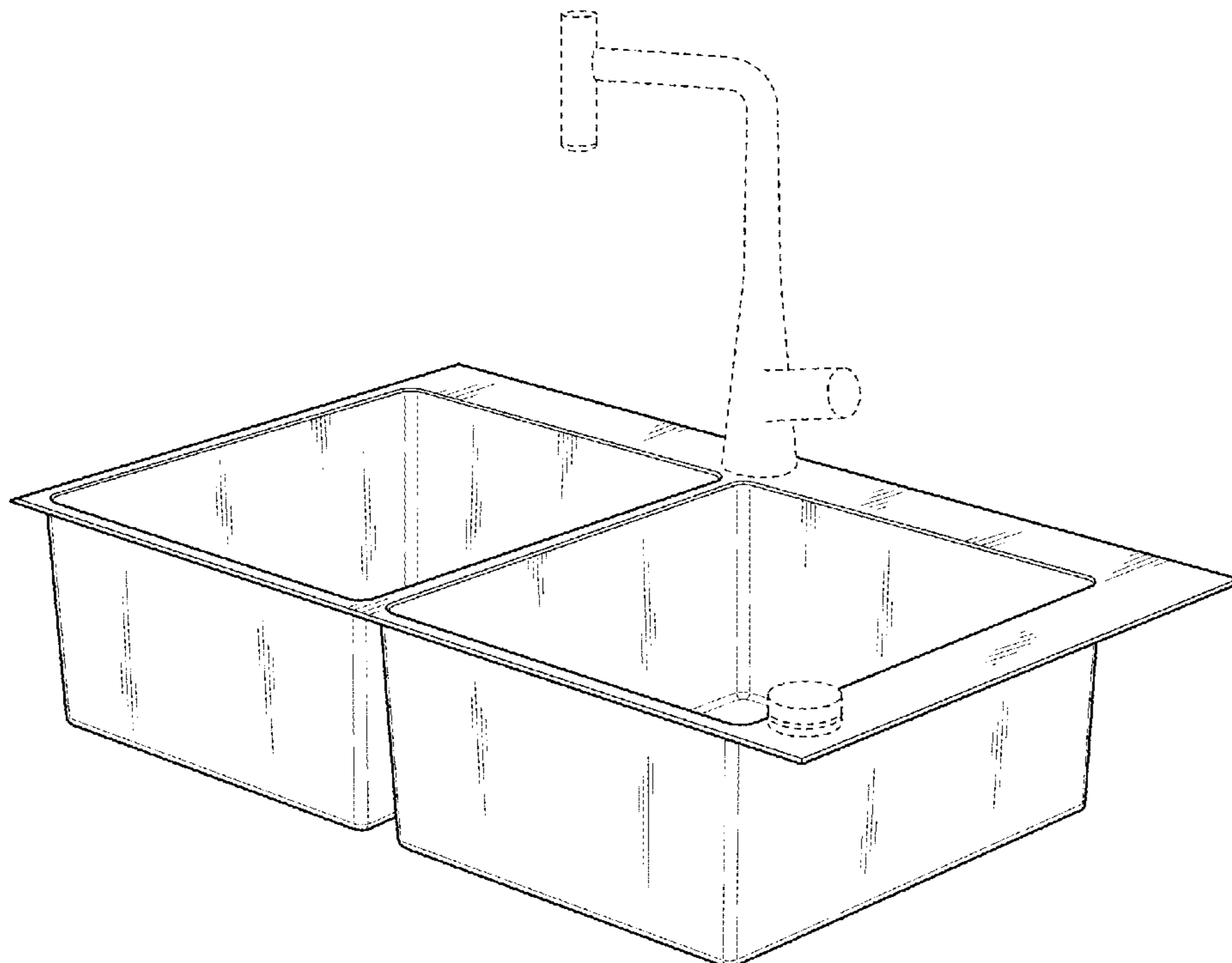


FIG. 1

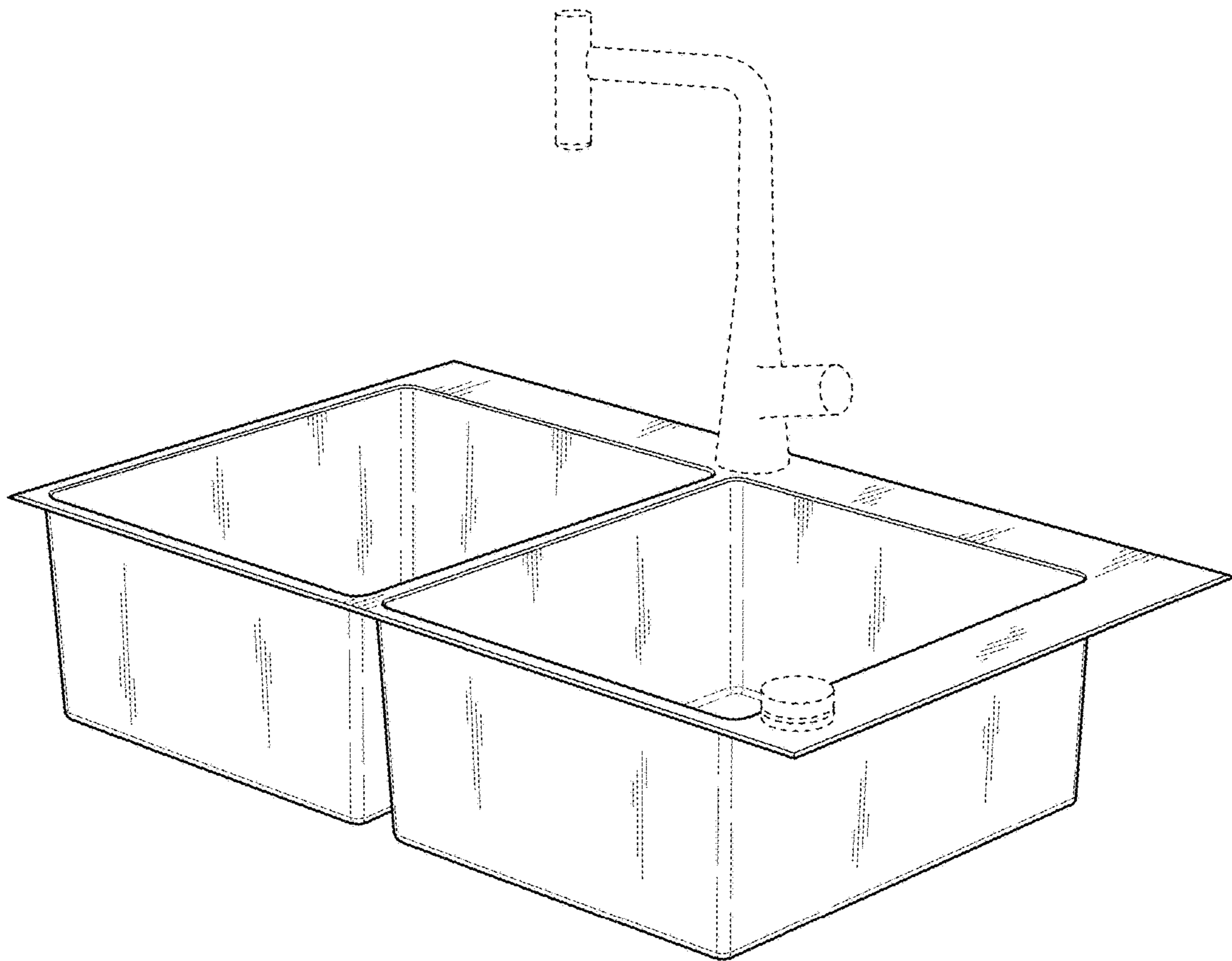


FIG. 2

