



US00D810894S

(12) **United States Design Patent**  
**Chandler**

(10) **Patent No.:** **US D810,894 S**

(45) **Date of Patent:** **\*\* Feb. 20, 2018**

(54) **AUTOCLAVE DRAIN CONNECTOR**

(71) Applicant: **Vista Research Group, LLC**, Ashland, OH (US)

(72) Inventor: **James W. Chandler**, Ashland, OH (US)

(73) Assignee: **VISTA RESEARCH GROUP, LLC**, Ashland, OH (US)

(\*\*) Term: **15 Years**

(21) Appl. No.: **29/595,186**

(22) Filed: **Feb. 27, 2017**

**Related U.S. Application Data**

(63) Continuation-in-part of application No. 29/546,039, filed on Nov. 18, 2015, now abandoned.

(51) **LOC (11) Cl.** ..... **23-01**

(52) **U.S. Cl.**  
USPC ..... **D23/262**

(58) **Field of Classification Search**

USPC ..... D23/259, 262–266, 268, 386, 269; D13/133; 285/324, 27, 31, 121.1, 123.1, 285/148.19, 148.22, 347, 199, 179, 179.1, 285/180–182, 132.2, 132.15, 124.2, 285/135.4; 137/12, 47, 220, 408; 138/37, 103, 109, 113, 120, 140, 155, 138/111–112, 114; D8/382, 394–397; 165/154–155, 164, 181; D24/127–129, D24/217, 231  
CPC . F16L 33/23; F16L 33/28; F16L 33/00; F16L 33/01; F16L 41/00; F16L 41/06; F16L 55/18; F16L 17/00; F16L 23/00; F16L 21/02; F16L 21/06; F16L 9/18; F16L 9/20; F16L 39/005; E03C 1/26; E03C 1/28; E03C 1/262; F16J 15/22; F16J 1/005; F28D 7/103; F28D 7/106; F28F 1/24; F28F 1/32

See application file for complete search history.

(56) **References Cited**

U.S. PATENT DOCUMENTS

3,445,973 A	5/1969	Stone	
4,574,399 A	3/1986	Sullivan	
D287,396 S	12/1986	Shemtov	
D303,710 S	9/1989	Neill	
D310,123 S *	8/1990	Carlson .....	D23/200
D318,102 S	7/1991	Papai	
D323,024 S	1/1992	Petersson	
D343,228 S	1/1994	Colin	
D351,459 S	10/1994	Andersson	
D362,902 S	10/1995	Reiber	
D371,189 S	6/1996	Dharamsi	
D372,765 S	8/1996	Sisk	
D382,943 S	8/1997	Doughty	
D383,378 S	9/1997	Schrader	
D400,670 S	11/1998	Sorkin	
D443,929 S *	6/2001	Wilkinson .....	D24/129

(Continued)

*Primary Examiner* — Eric Goodman

*Assistant Examiner* — Amy Wierenga

(74) *Attorney, Agent, or Firm* — Ralph E. Jocke; Walker & Jocke

(57) **CLAIM**

The ornamental design for an autoclave drain connector, as shown and described.

**DESCRIPTION**

FIG. 1 is a front plan view of the autoclave drain connector showing my new design.

FIG. 2 is a right side view thereof.

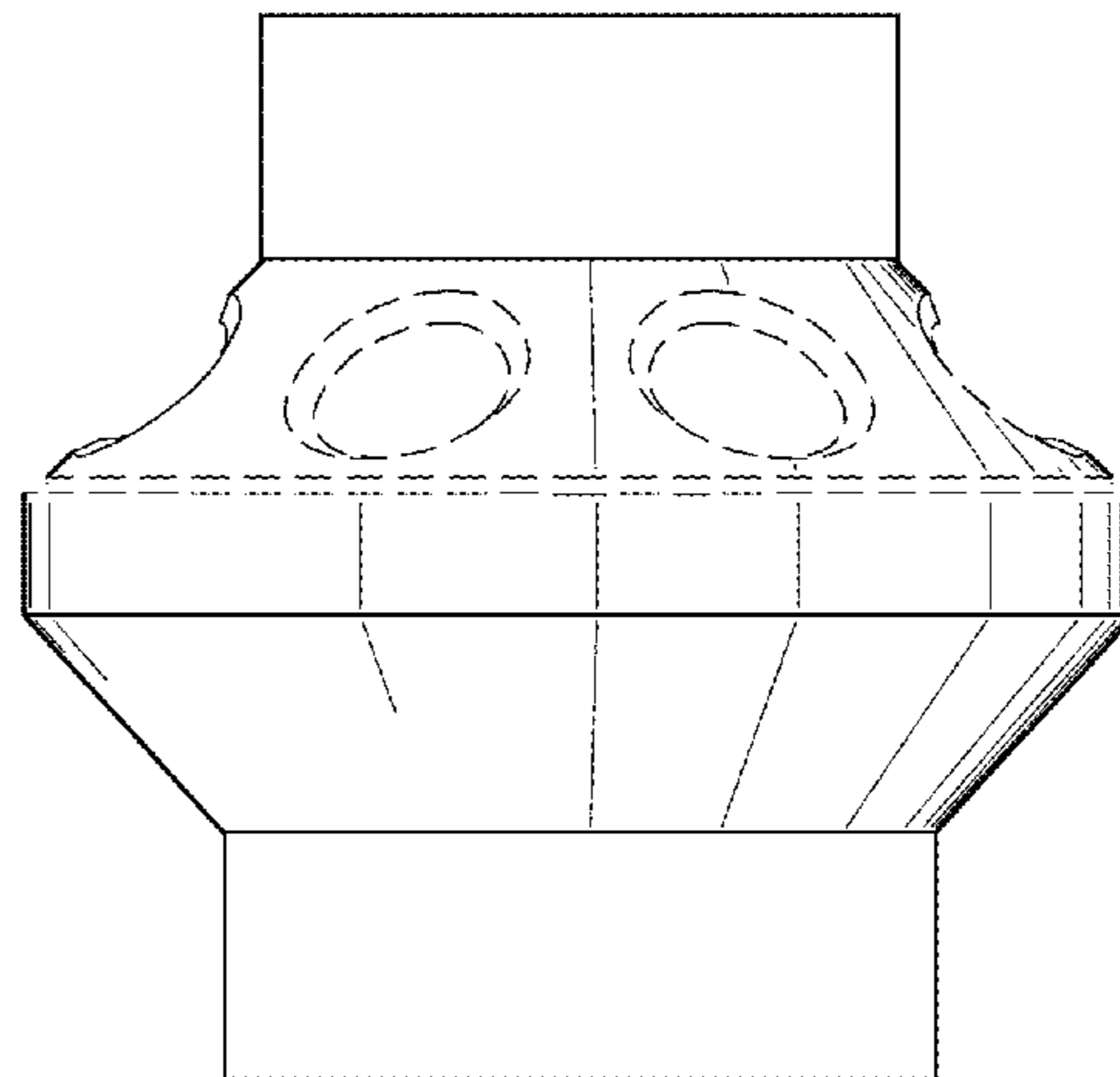
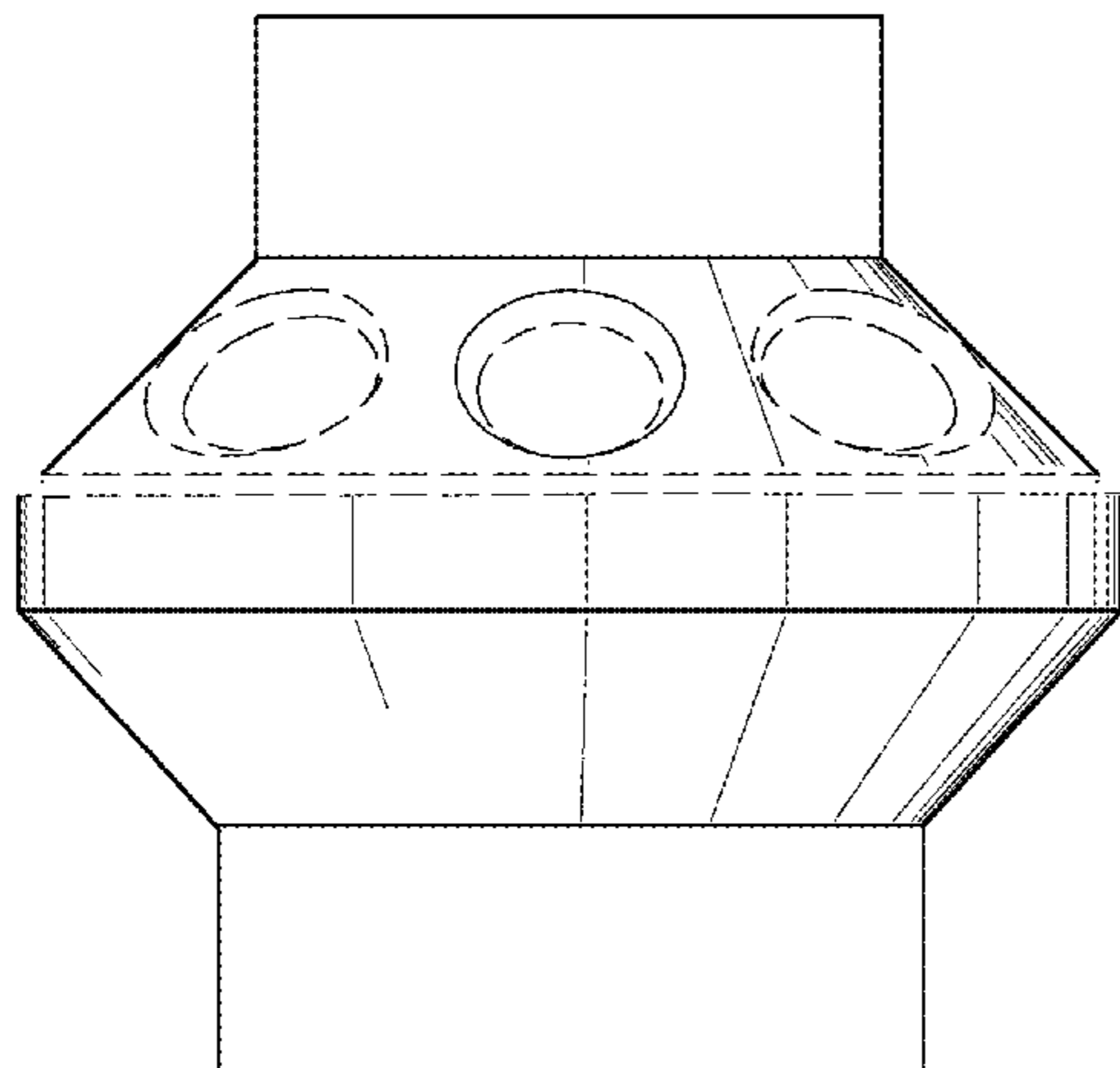
FIG. 3 is a back view thereof.

FIG. 4 is a top view thereof; and,

FIG. 5 is a bottom view thereof.

The broken lines shown in the drawings represent portions of the autoclave drain connector that form no part of the claim.

**1 Claim, 4 Drawing Sheets**



(56)

**References Cited**

U.S. PATENT DOCUMENTS

6,423,219	B1 *	7/2002	Chandler .....	C02F 1/50 134/102.2
D461,545	S	8/2002	Nishio	
D464,409	S	10/2002	Nishio	
6,866,440	B1	3/2005	Bart	
D574,934	S	8/2008	Darce	
D576,260	S	9/2008	Chan	
D589,126	S *	3/2009	Concannon .....	D23/262
D599,894	S	9/2009	Price	
D602,128	S *	10/2009	Williams .....	D23/262
D608,900	S *	1/2010	Giraud .....	D24/216
D612,912	S *	3/2010	Delaney .....	D23/259
D616,966	S	6/2010	Angell	
D622,819	S	8/2010	Tippens	
D631,142	S	1/2011	Angell	
D637,697	S *	5/2011	Steiner .....	D23/262
D710,485	S *	8/2014	Nudo .....	D23/262
D731,035	S	6/2015	Lo Cicero	
D748,228	S *	1/2016	Bayyouk .....	D23/269
D749,734	S *	2/2016	Gronberg .....	D24/127
D787,029	S *	5/2017	Bayyouk .....	D23/269
2002/0083515	A1	7/2002	Bart	
2003/0036033	A1 *	2/2003	Chandler .....	A61C 1/0061 433/77

\* cited by examiner

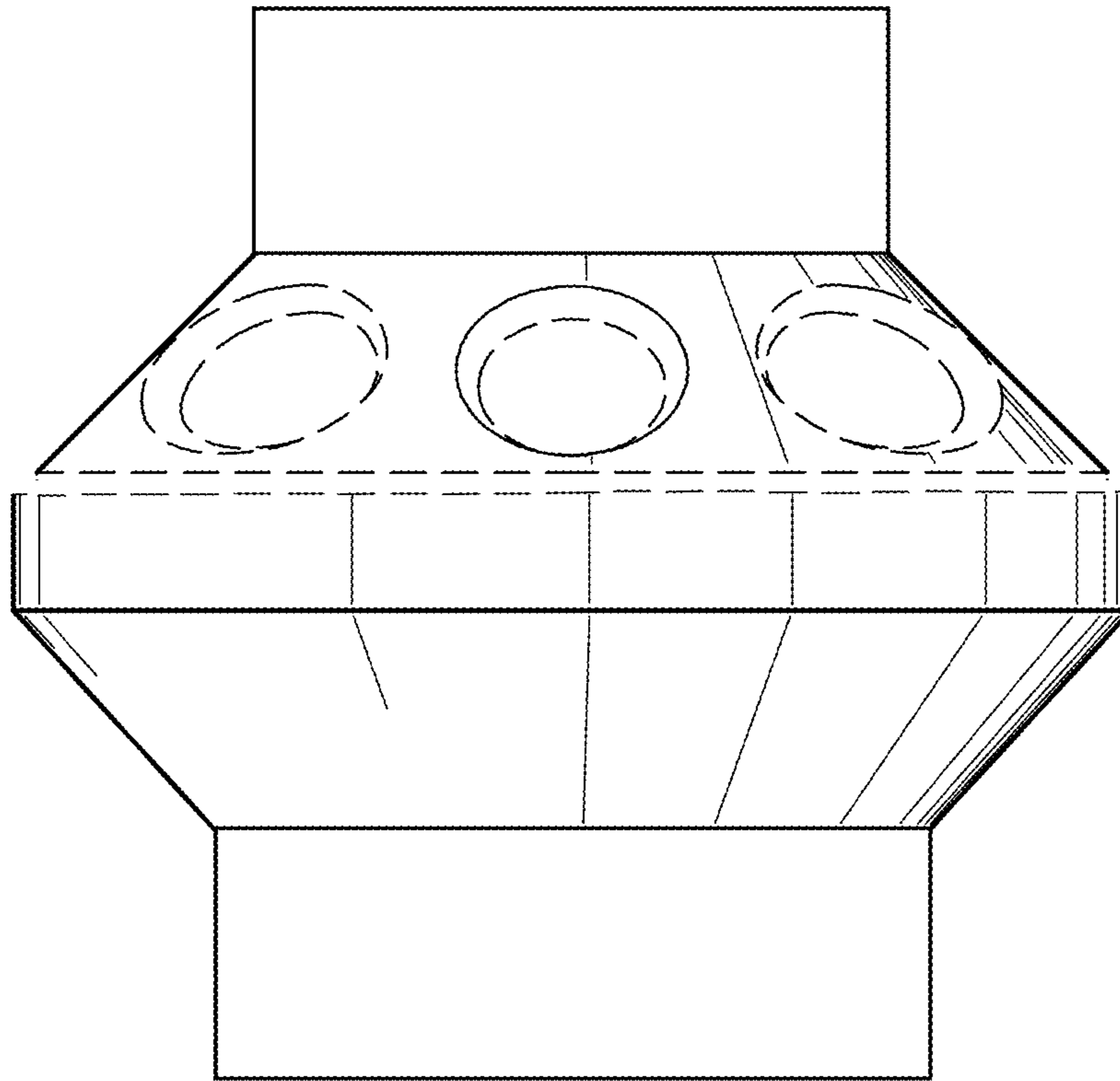


FIG. 1

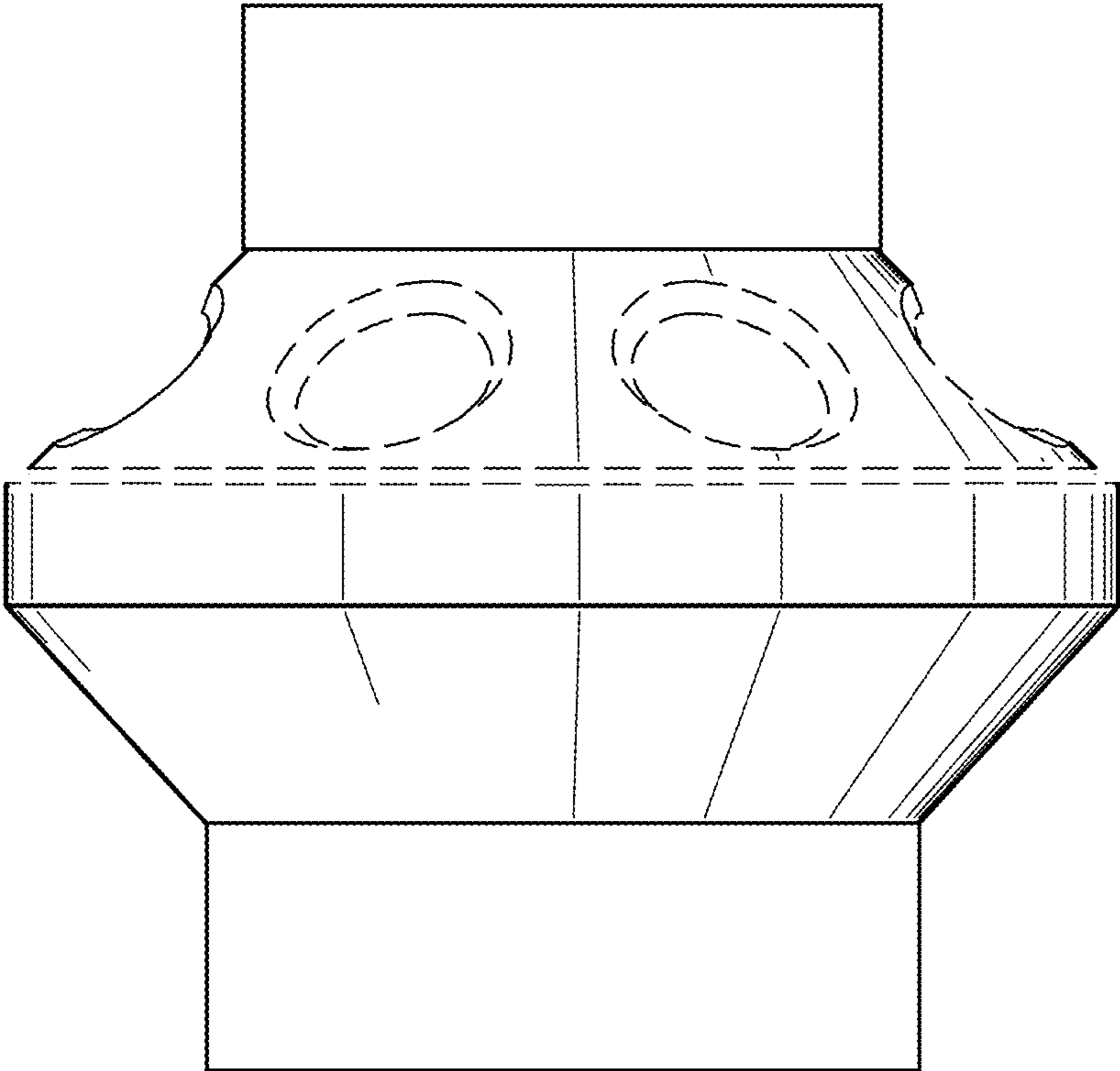


FIG. 2

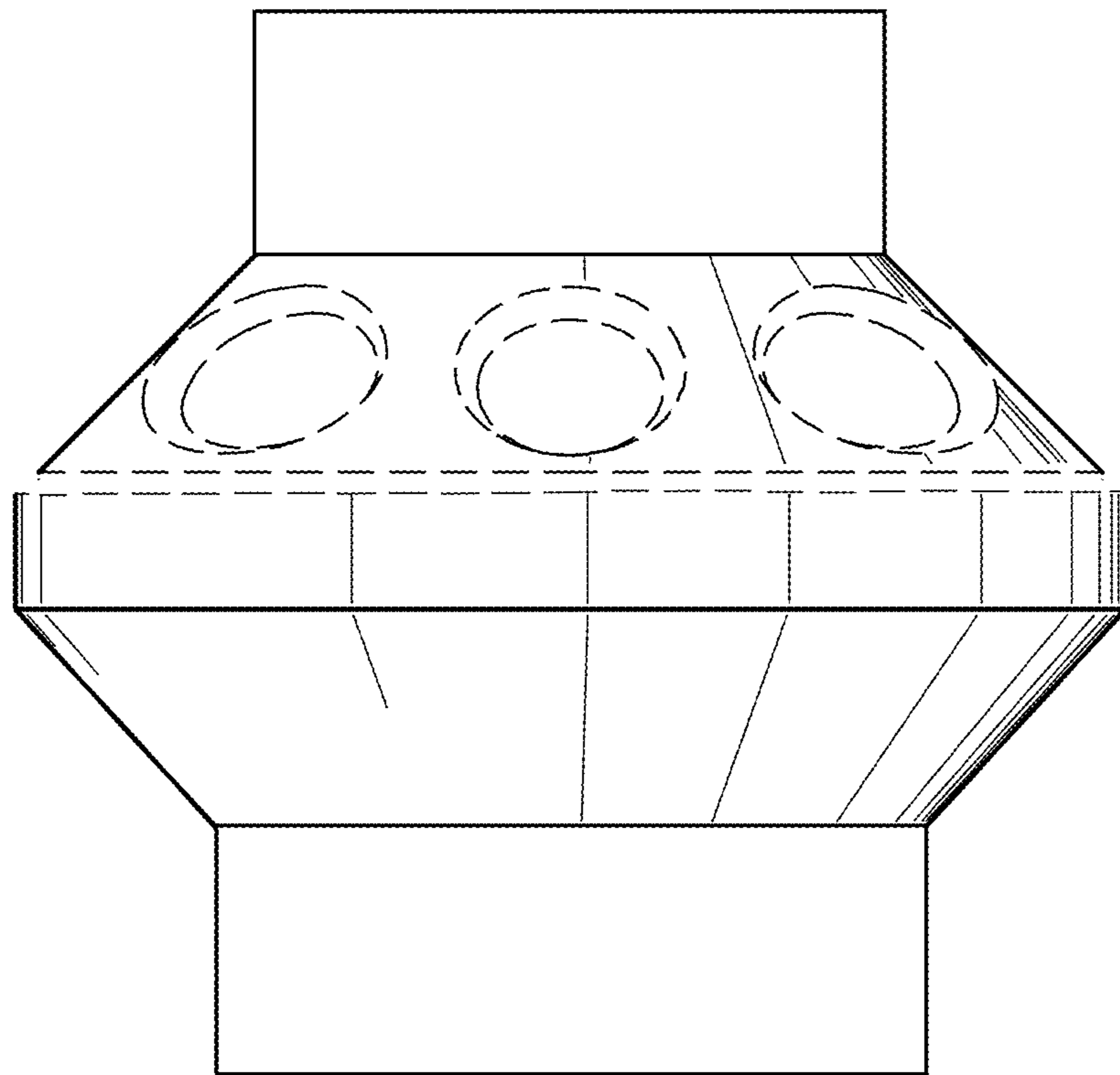


FIG. 3



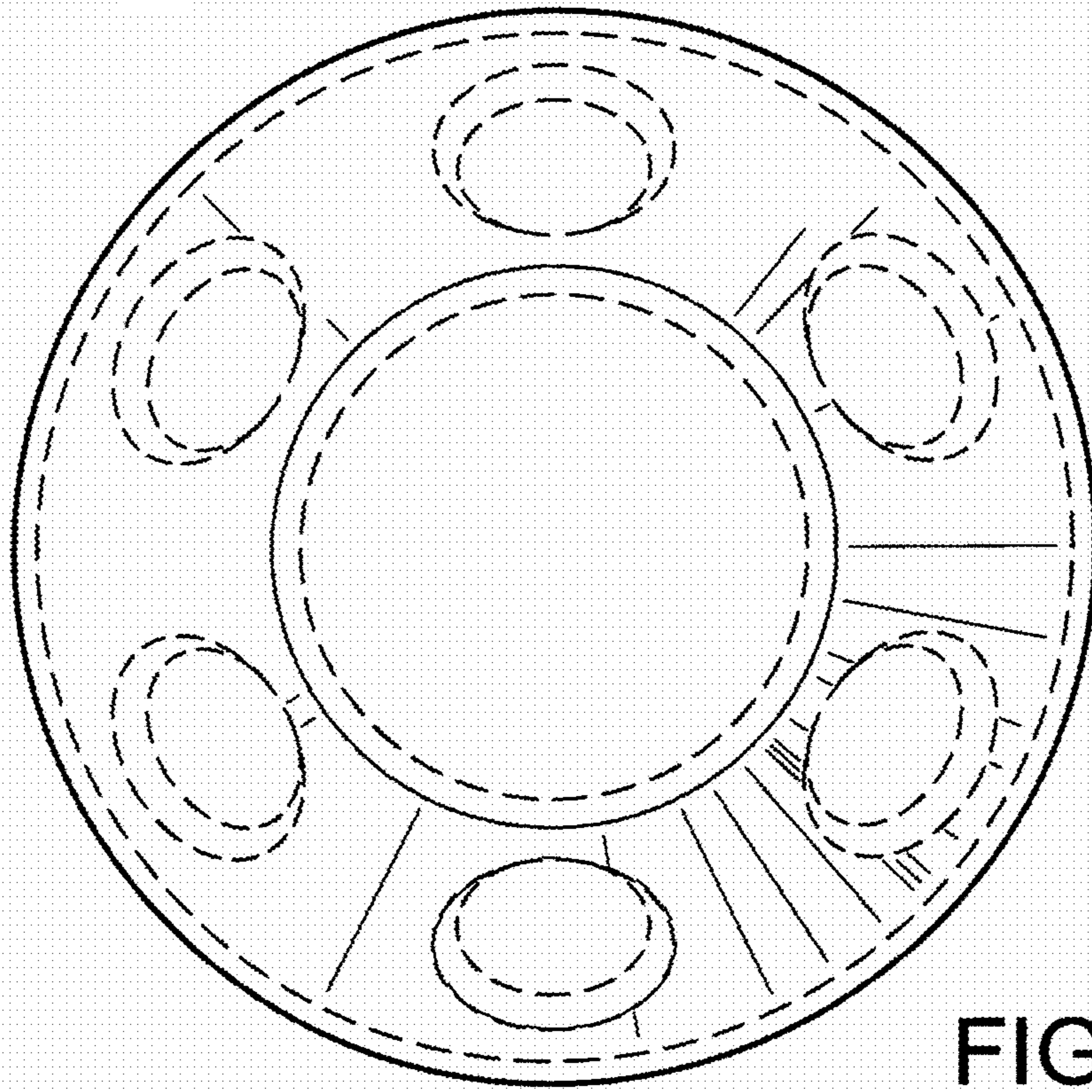


FIG. 4

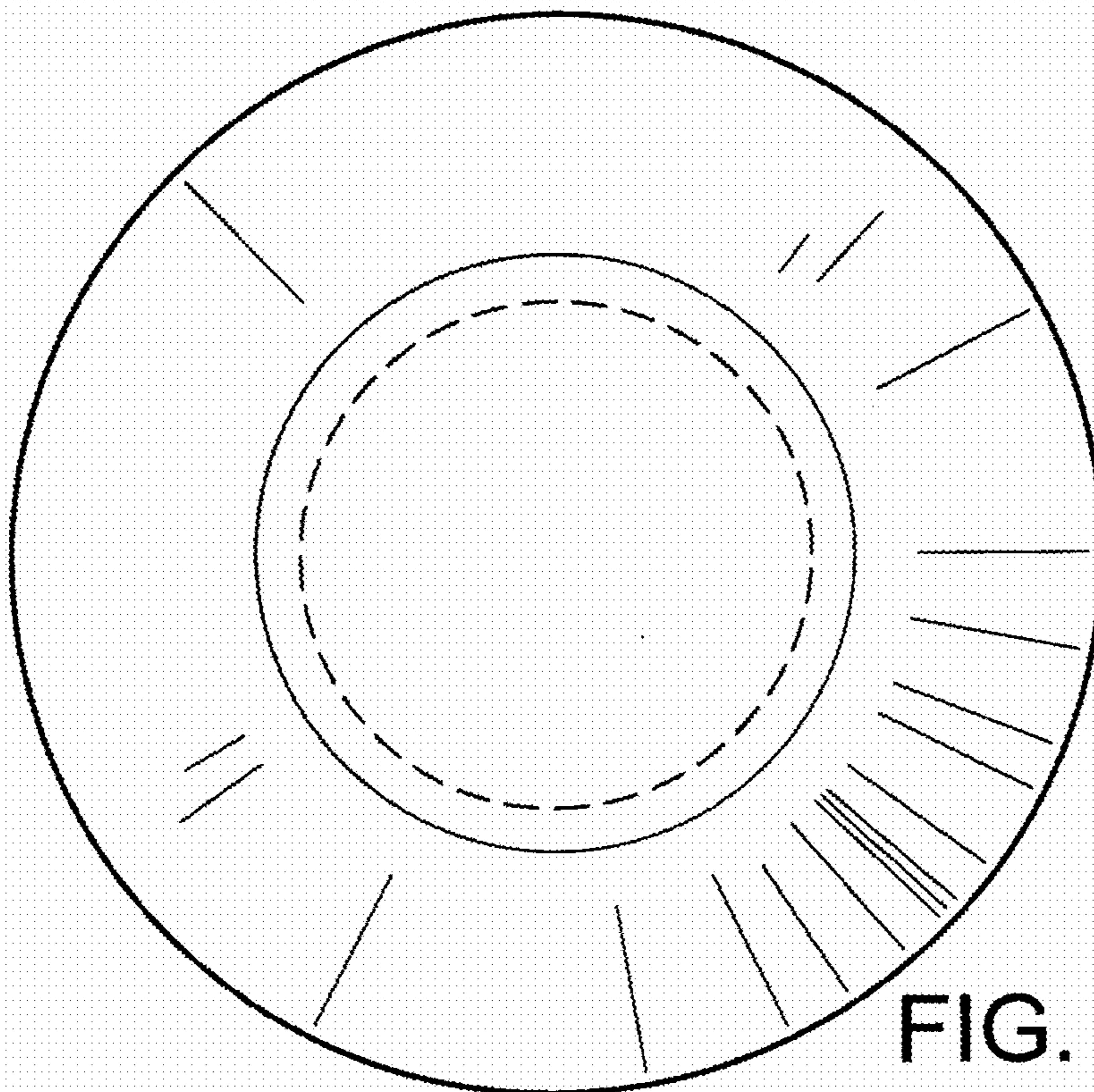


FIG. 5