



US00D810891S

(12) **United States Design Patent**  
**Garland**

(10) **Patent No.:** **US D810,891 S**

(45) **Date of Patent:** **\*\* Feb. 20, 2018**

(54) **FAUCET SPOUT**

D754,826 S \* 4/2016 Garland ..... D23/257  
D791,920 S \* 7/2017 Fritz ..... D23/242

(71) Applicant: **DELTA FAUCET COMPANY**,  
Indianapolis, IN (US)

\* cited by examiner

(72) Inventor: **Celine Kwok Garland**, Zionsville, IN  
(US)

*Primary Examiner* — Robert A Delehanty

(74) *Attorney, Agent, or Firm* — Edgar A. Zarins; Nirav  
D. Parikh

(73) Assignee: **DELTA FAUCET COMPANY**,  
Indianapolis, IN (US)

(\*\*) Term: **15 Years**

(57) **CLAIM**

(21) Appl. No.: **29/579,703**

The ornamental design for a faucet spout, as shown and  
described.

(22) Filed: **Oct. 3, 2016**

(51) **LOC (11) Cl.** ..... **23-01**

(52) **U.S. Cl.**  
USPC ..... **D23/257**

**DESCRIPTION**

(58) **Field of Classification Search**  
USPC ..... D23/238, 241–243, 249, 255, 257  
CPC ..... Y10T 137/9464  
See application file for complete search history.

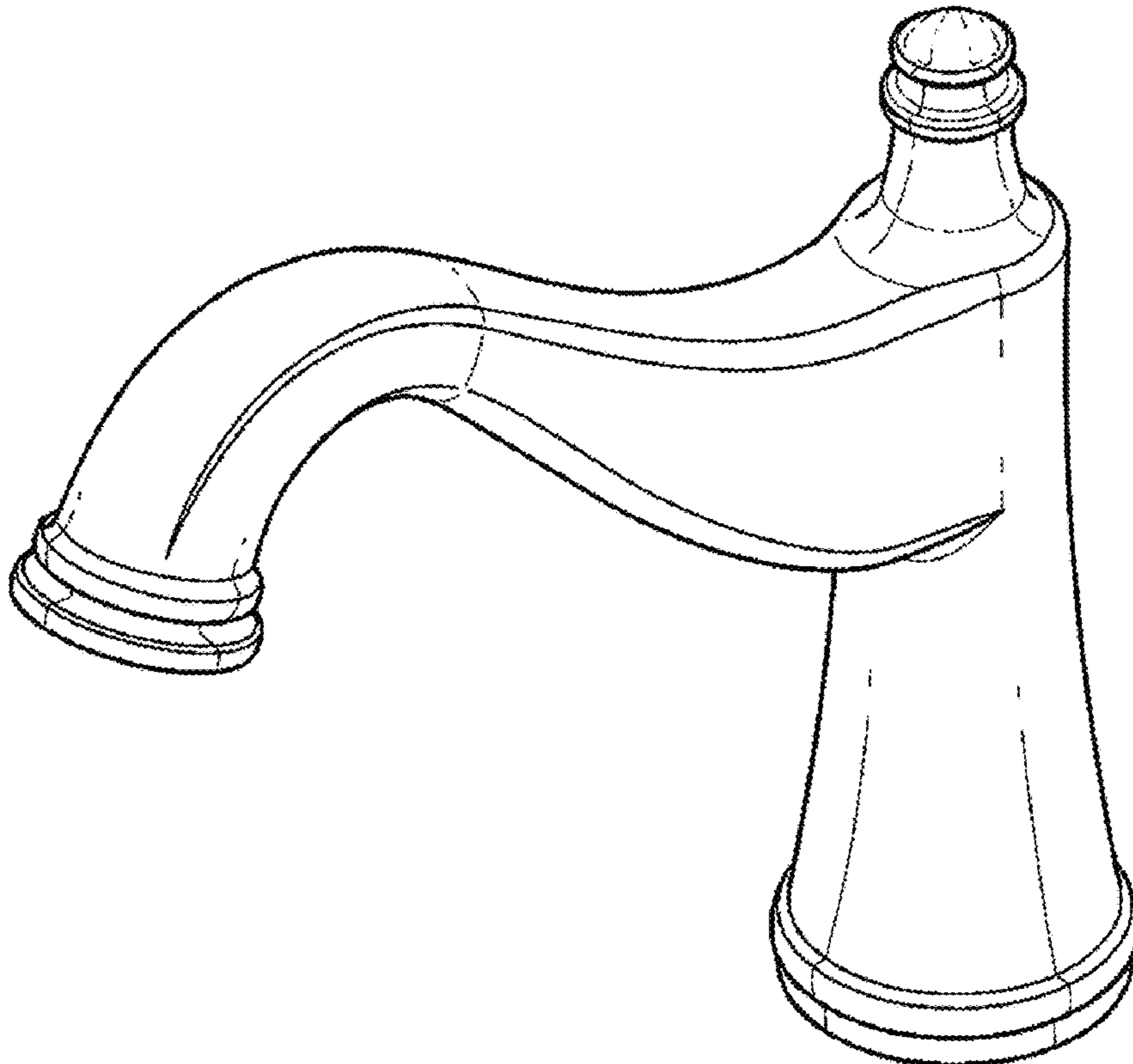
FIG. 1 is a perspective view of a faucet spout showing my  
new design;  
FIG. 2 is a left side view thereof, the opposite side being a  
mirror image of the side shown;  
FIG. 3 is a rear view thereof;  
FIG. 4 is a front elevational view thereof;  
FIG. 5 is a top plan view thereof; and,  
FIG. 6 is a bottom view thereof.

(56) **References Cited**

**U.S. PATENT DOCUMENTS**

D685,883 S \* 7/2013 Romero ..... D23/255  
D694,369 S \* 11/2013 Mendoza ..... D23/242

**1 Claim, 2 Drawing Sheets**



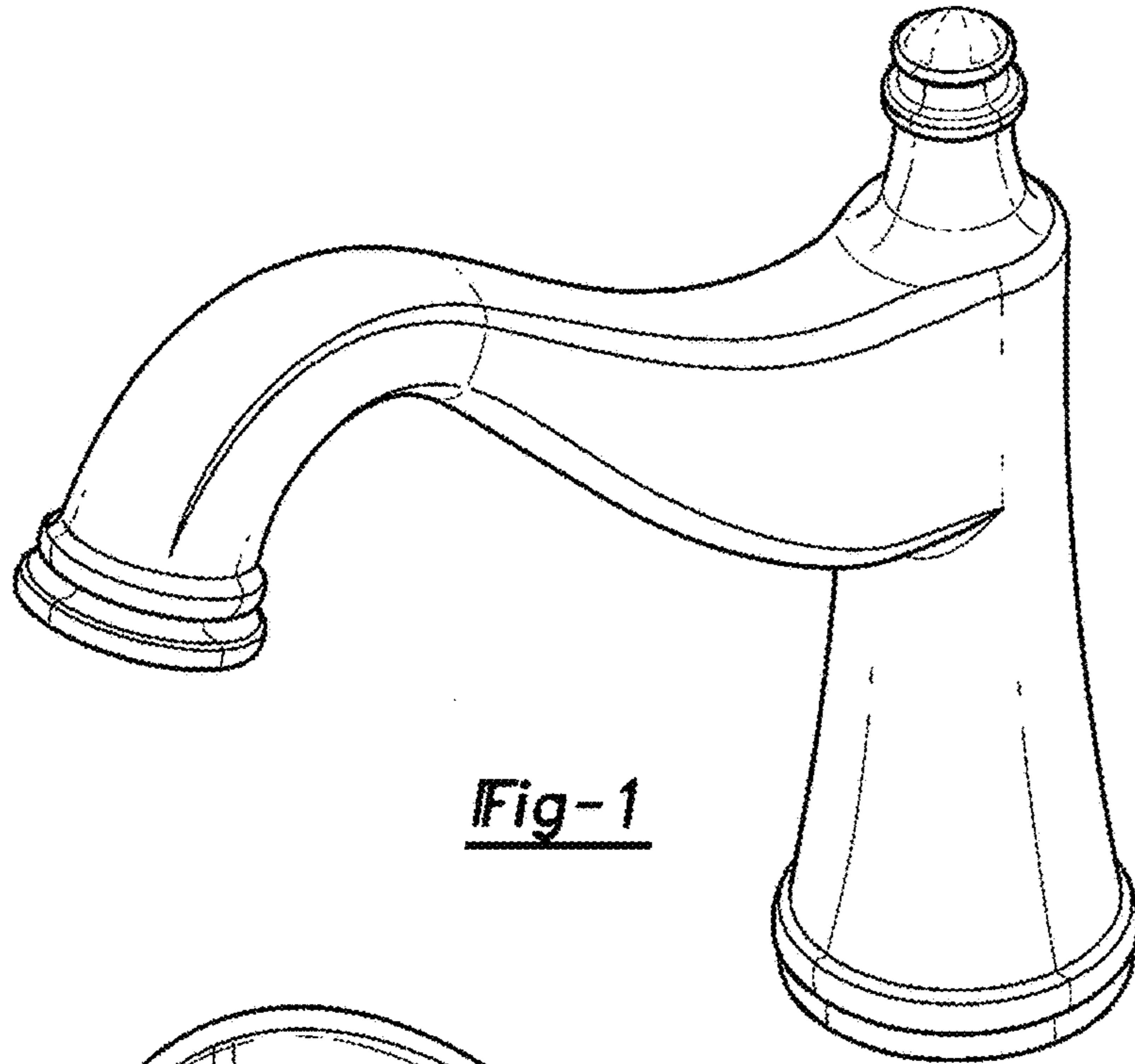


Fig-1

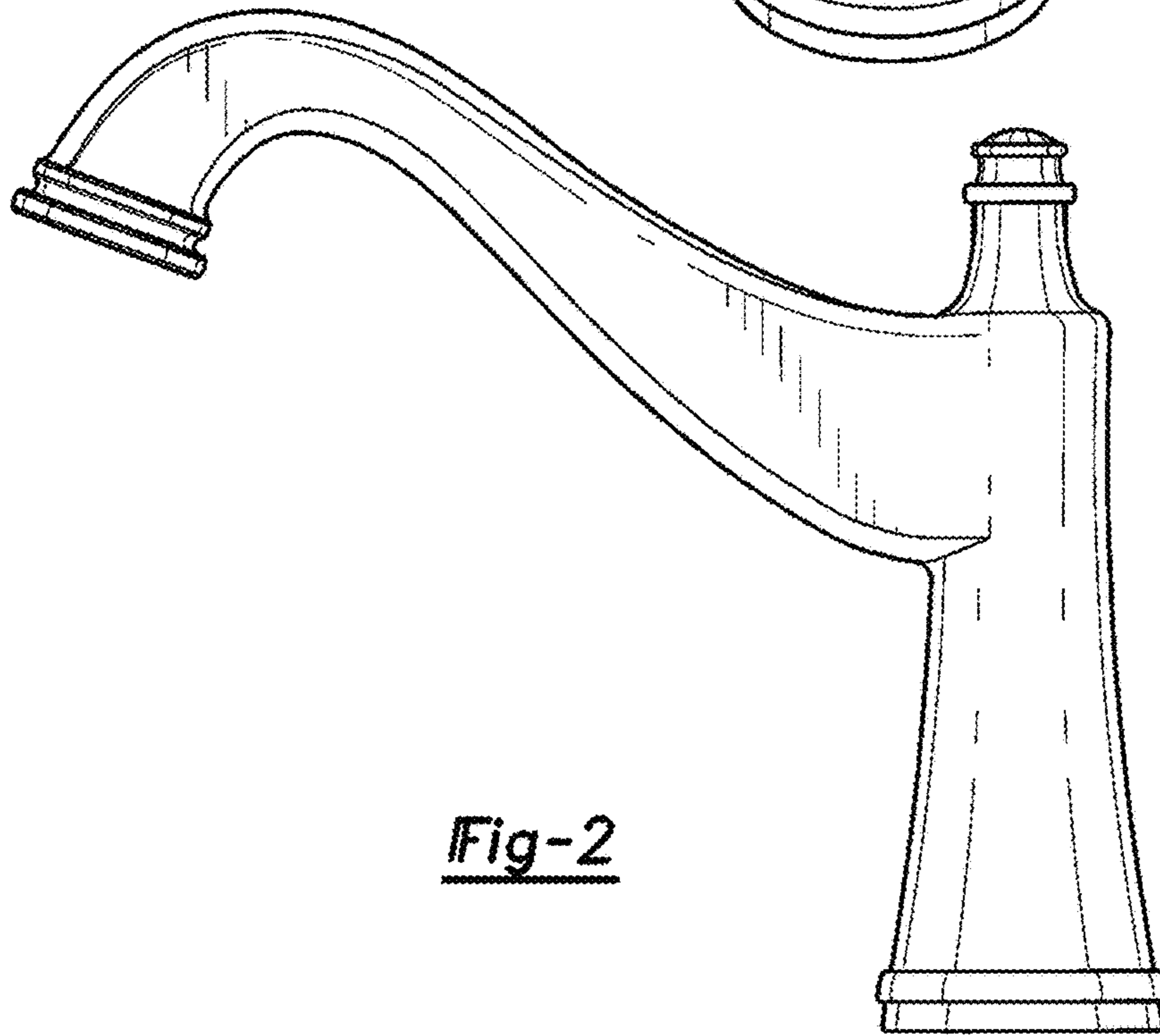


Fig-2

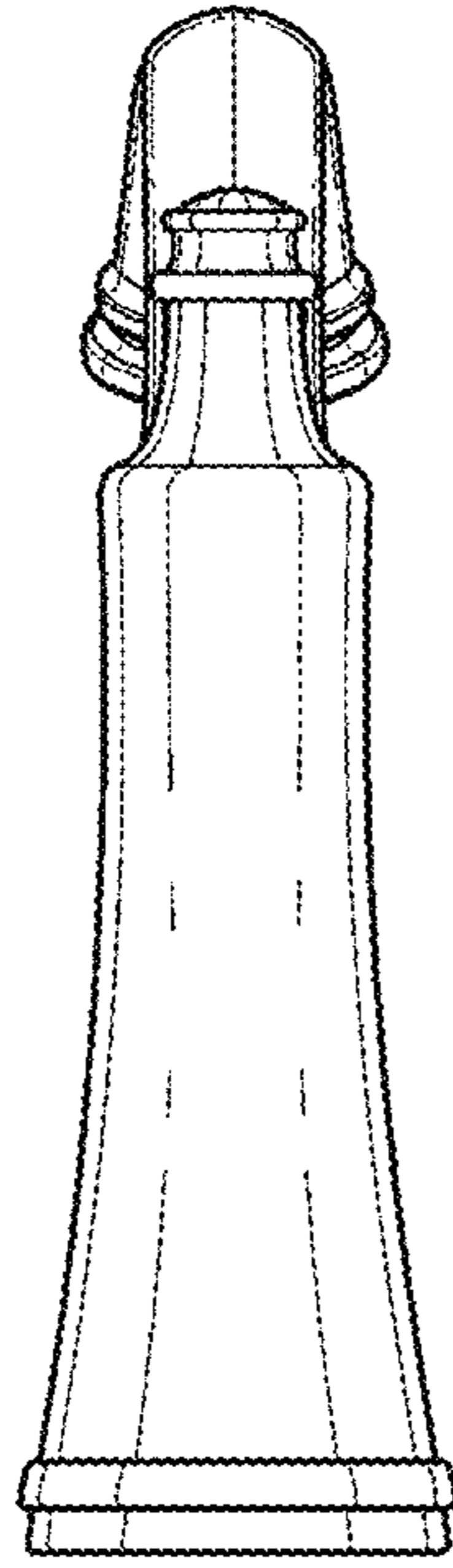


Fig-3

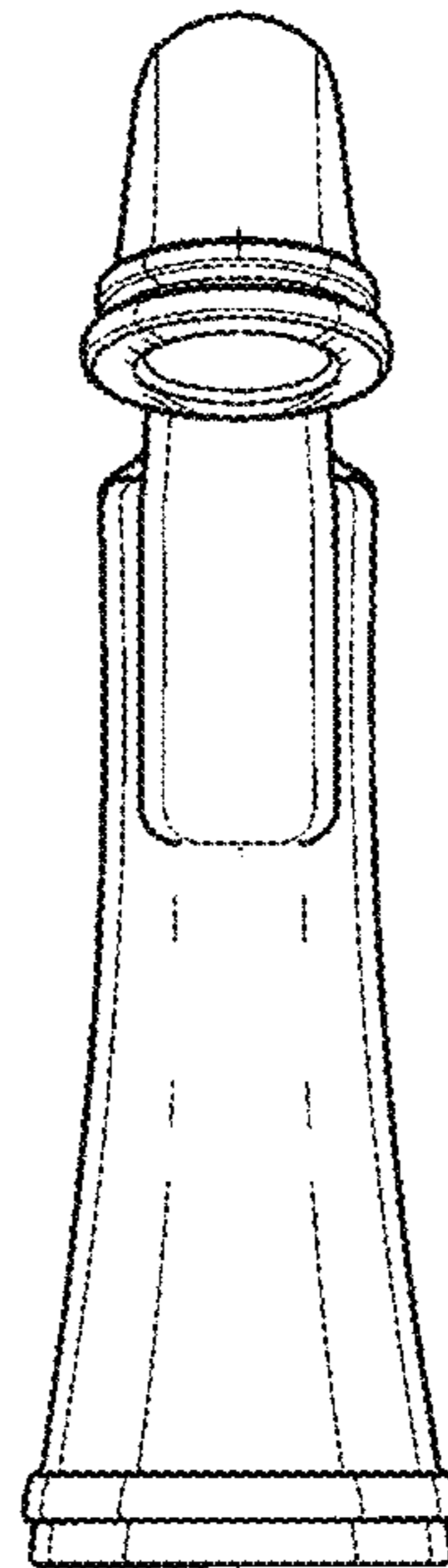


Fig-4

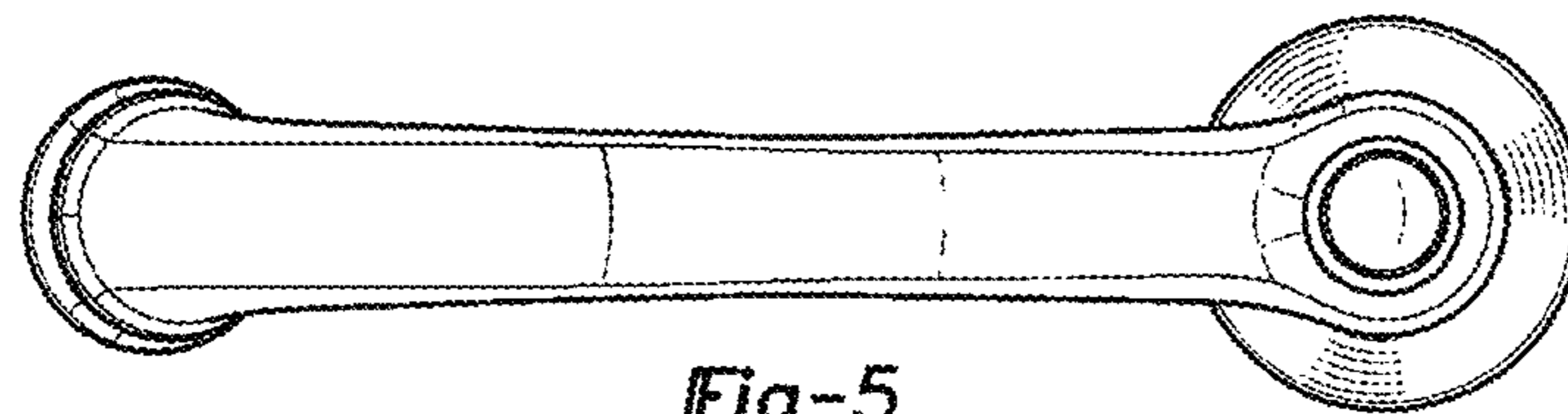


Fig-5

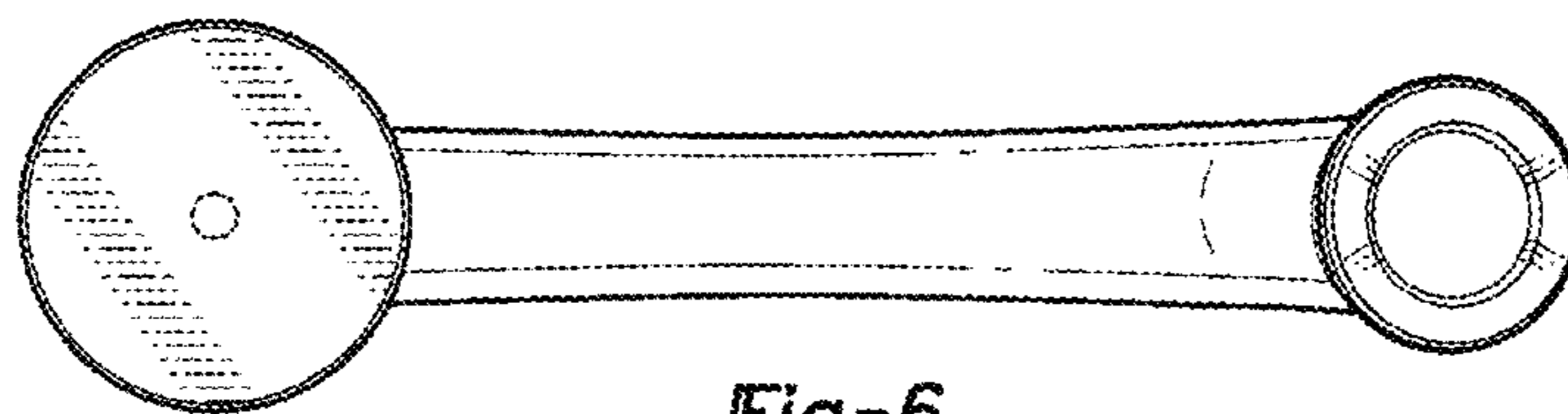


Fig-6