



US00D810890S

(12) **United States Design Patent**  
**Takayama et al.**

(10) **Patent No.:** **US D810,890 S**

(45) **Date of Patent:** **\*\* Feb. 20, 2018**

(54) **FAUCET SPOUT**

D796,009 S \* 8/2017 Sieger ..... D23/255  
D800,273 S \* 10/2017 Andrew ..... D23/255

(71) Applicant: **TOTO, Ltd.**, Kitakyushu-shi, Fukuoka (JP)

\* cited by examiner

(72) Inventors: **Shogo Takayama**, Kitakyushu (JP);  
**Atsushi Toyohara**, Kitakyushu (JP);  
**Yusuke Takiguchi**, Kitakyushu (JP);  
**Keishi Tomiya**, Kitakyushu (JP); **Rina Ogata**, Kitakyushu (JP)

*Primary Examiner* — Robert A Delehanty

(74) *Attorney, Agent, or Firm* — Banner & Witcoff, Ltd.

(73) Assignee: **TOTO, Ltd.**, Kitakyushu-shi, Fukuoka (JP)

(57) **CLAIM**

The ornamental design for a faucet spout, as shown and described.

(\*\*) Term: **15 Years**

(21) Appl. No.: **29/589,243**

**DESCRIPTION**

(22) Filed: **Dec. 29, 2016**

(51) **LOC (11) Cl.** ..... **23-01**

(52) **U.S. Cl.**  
USPC ..... **D23/255**

(58) **Field of Classification Search**  
USPC ..... D23/238, 241–243, 249, 255, 257  
CPC ..... Y10T 137/9464  
See application file for complete search history.

FIG. 1 is a perspective view of a faucet spout showing our new design;  
FIG. 2 is a front view thereof;  
FIG. 3 is a rear view thereof;  
FIG. 4 is a left side view thereof;  
FIG. 5 is a right side view thereof;  
FIG. 6 is a top view thereof; and,  
FIG. 7 is a bottom view thereof.

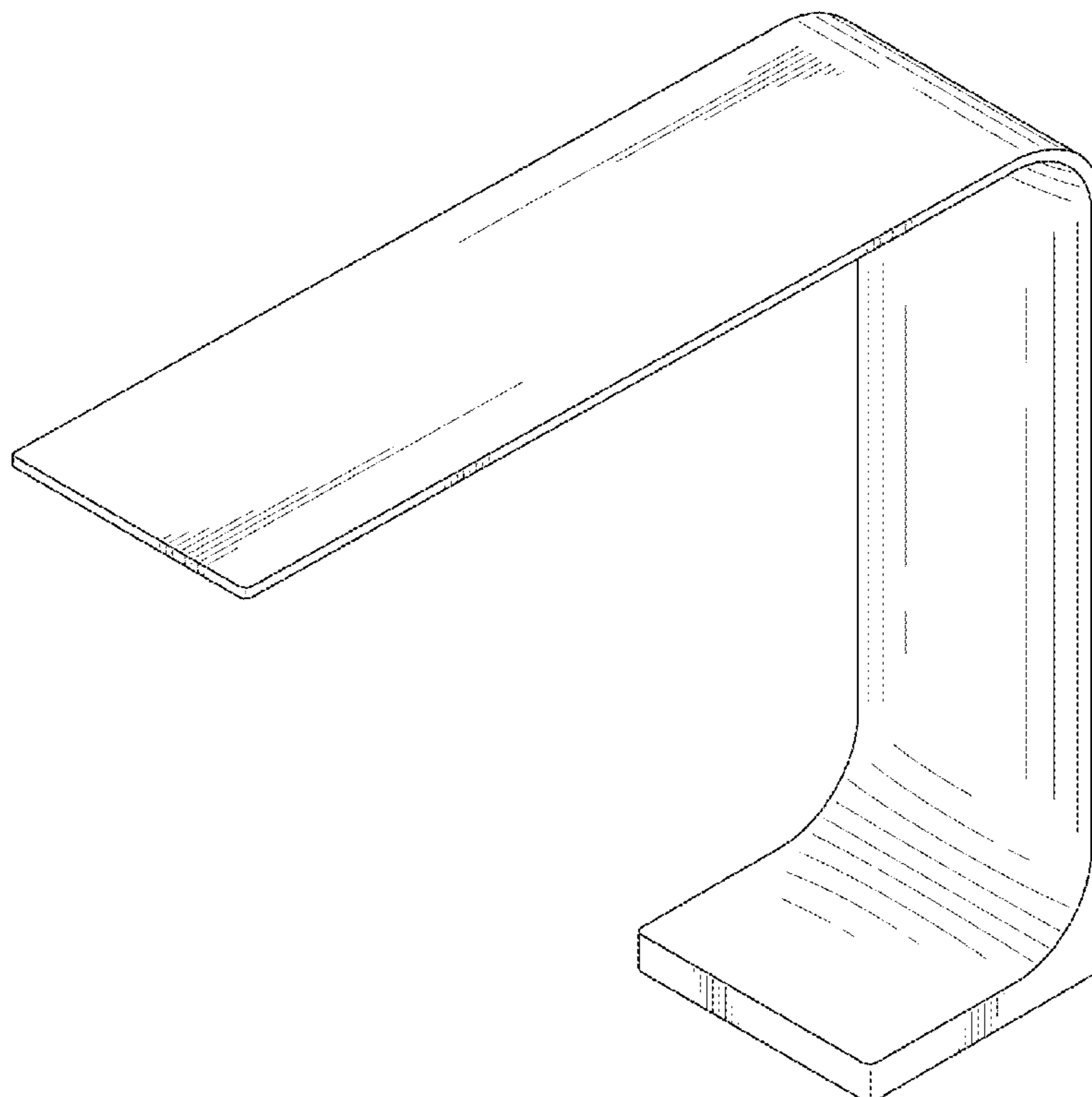
The broken lines in the figures are included for the purpose of illustrating portions of the faucet spout that form no part of the claimed design.

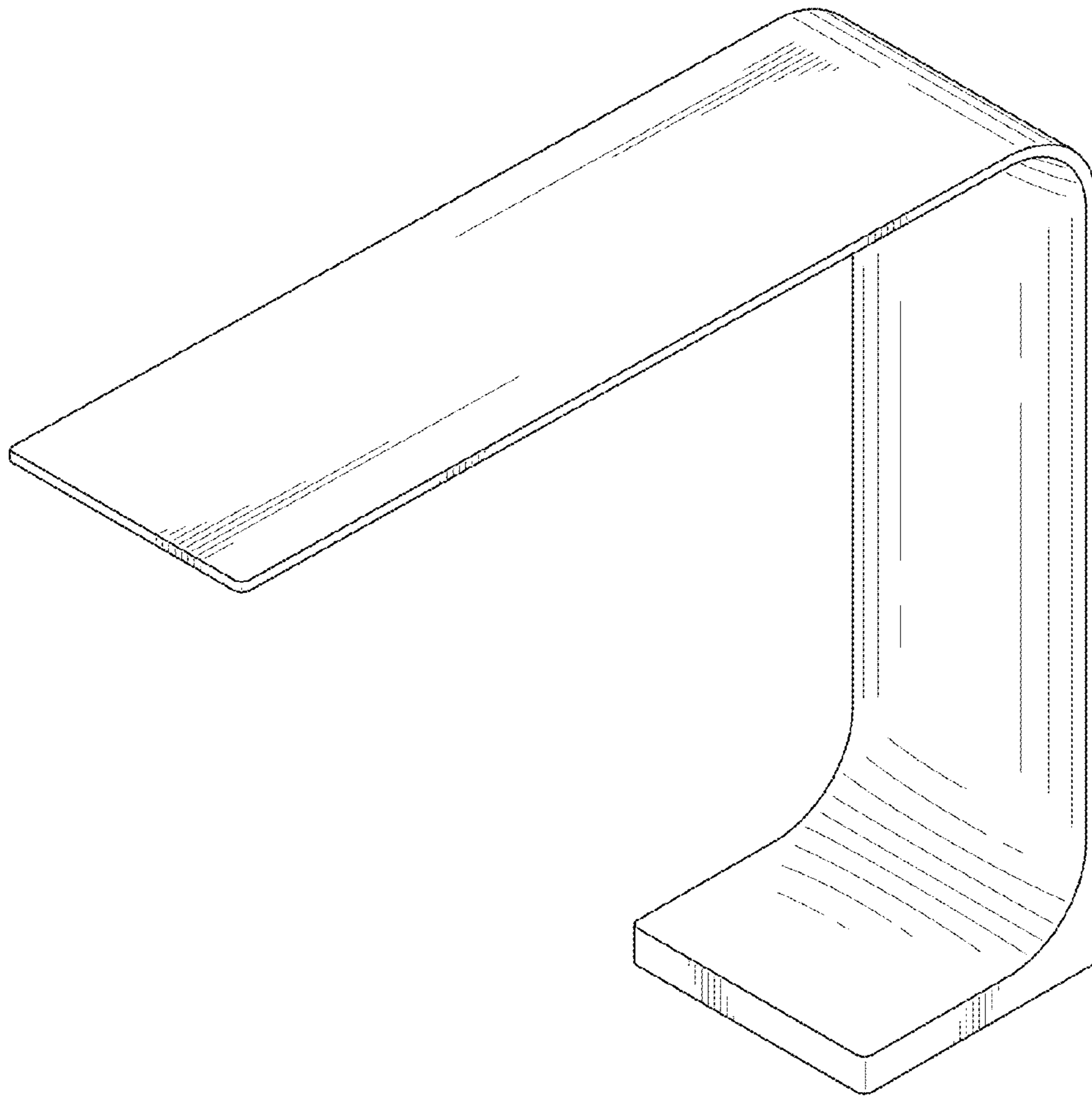
(56) **References Cited**

**U.S. PATENT DOCUMENTS**

D607,545 S \* 1/2010 Obara ..... D23/255  
D692,104 S \* 10/2013 Gessi ..... D23/238

**1 Claim, 5 Drawing Sheets**





*FIG. 1*

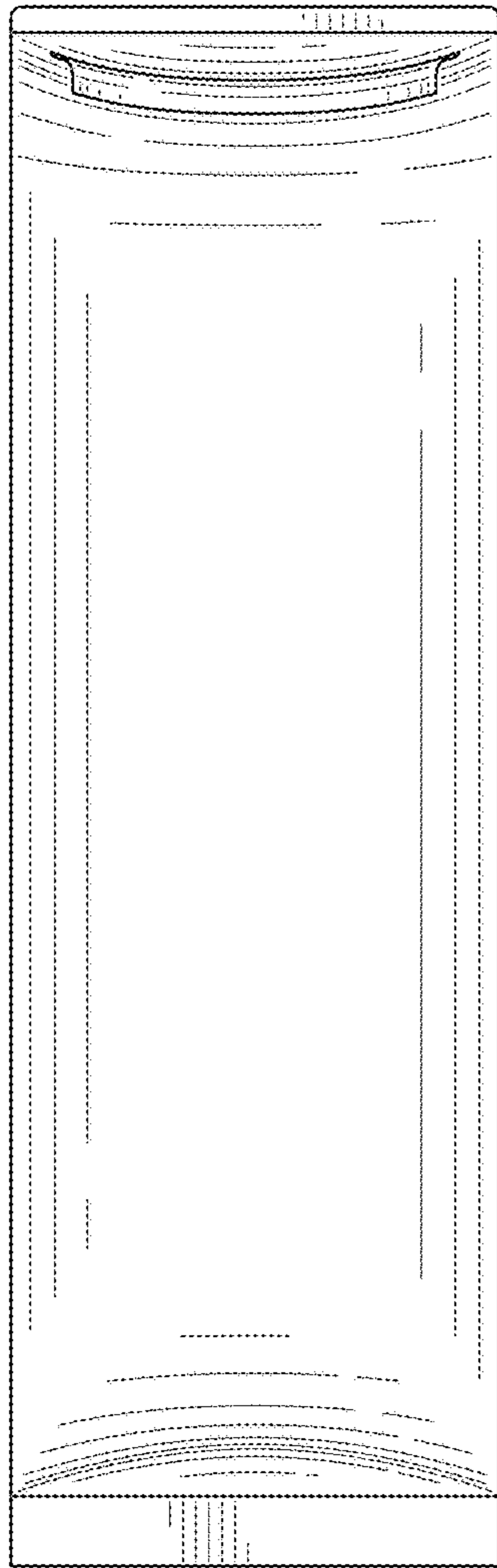


FIG. 2

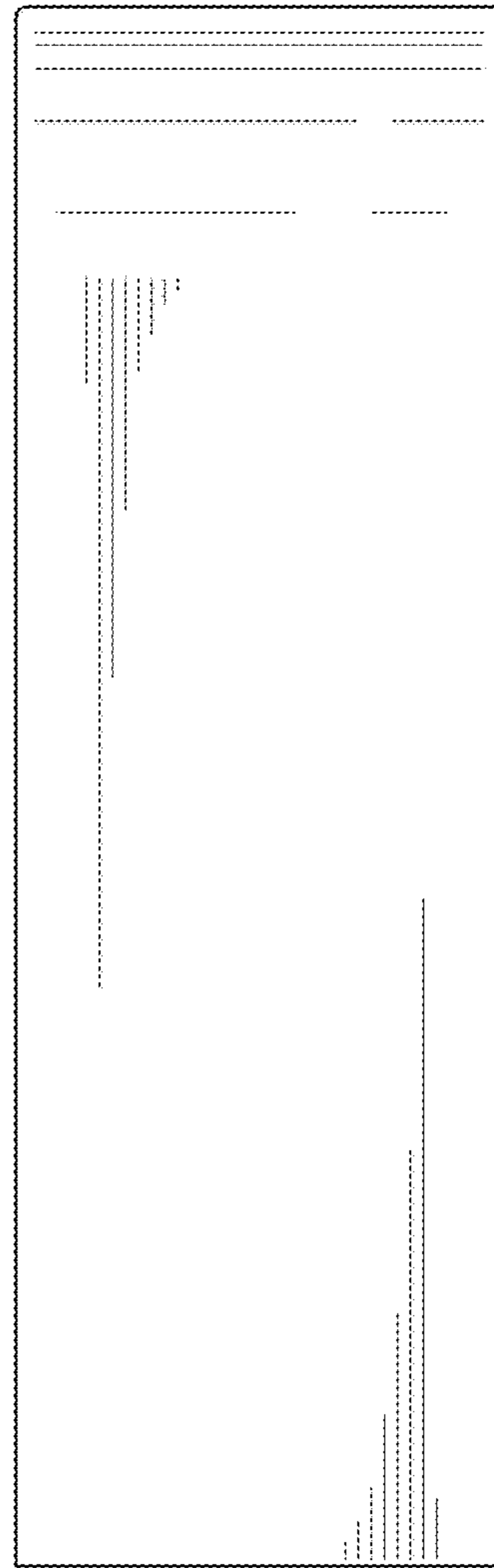


FIG. 3

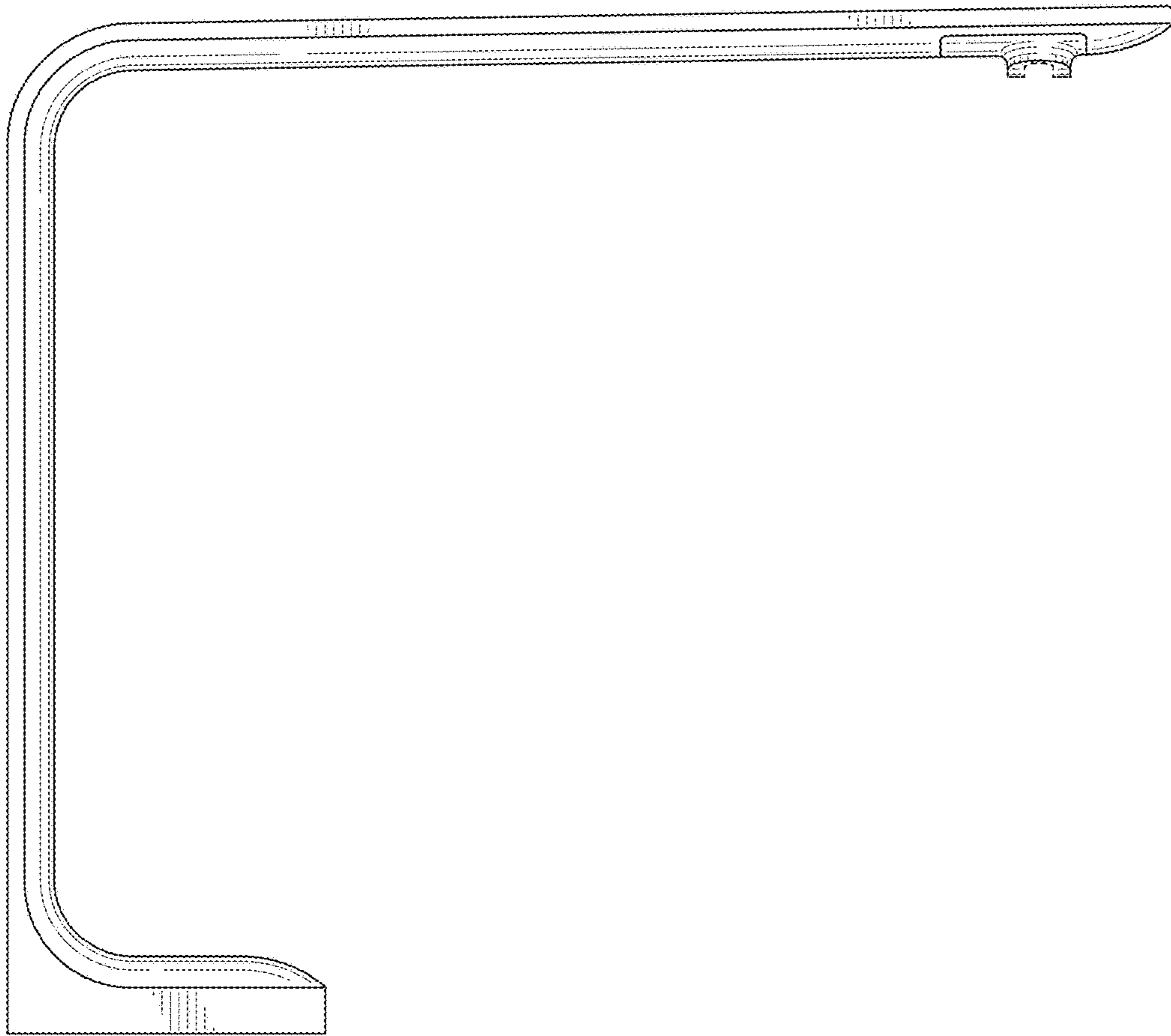


FIG. 4

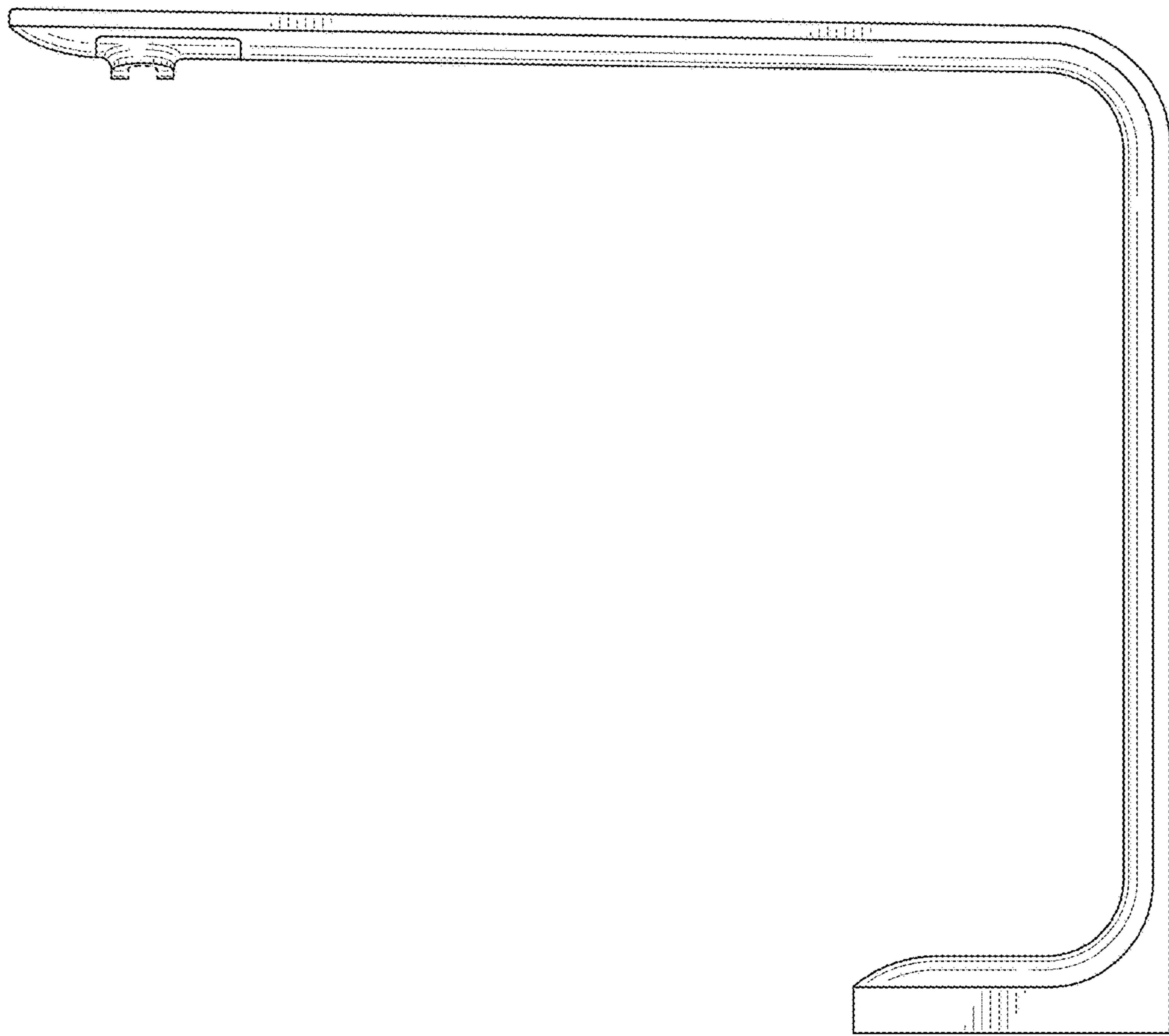


FIG. 5

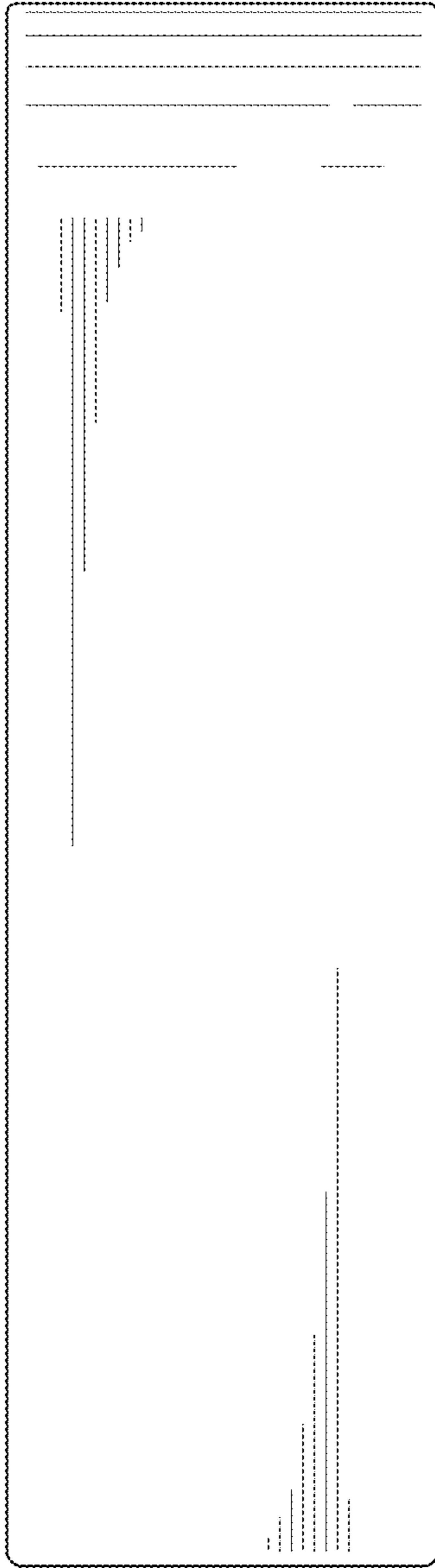


FIG. 6

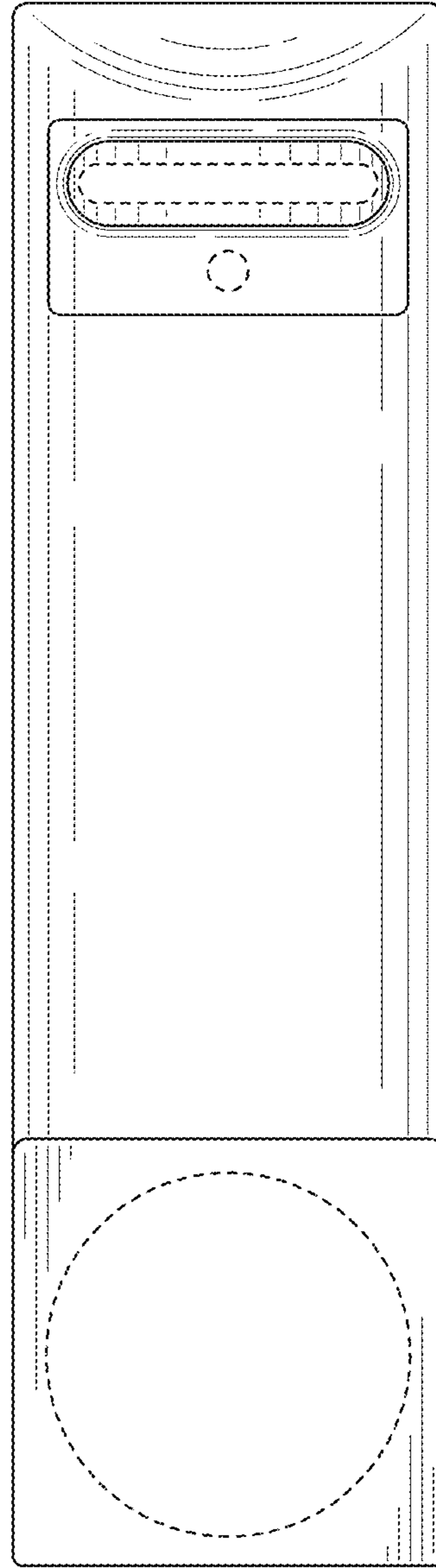


FIG. 7