



US00D810887S

(12) **United States Design Patent** (10) **Patent No.:** **US D810,887 S**  
**Schoenherr et al.** (45) **Date of Patent:** **\*\* Feb. 20, 2018**

(54) **FAUCET HANDLE**

FOREIGN PATENT DOCUMENTS

(71) Applicant: **HANSGROHE SE**, Schiltach (DE)

EM	000278569-0001	1/2005
EM	000278569-0002	1/2005
EM	000278569-0003	1/2005
EM	000278569-0004	1/2005
EM	000278569-0005	1/2005
EM	000278569-0006	1/2005
EM	000278569-0007	1/2005
EM	000278569-0008	1/2005
EM	000278569-0009	1/2005
EM	000278569-0010	1/2005
EM	000764030-0001	7/2007
EM	000764030-0002	7/2007
EM	000764030-0003	7/2007
EM	000764030-0004	7/2007
EM	000764030-0005	7/2007
EM	000764030-0006	7/2007
EM	000764030-0007	7/2007
EM	000764030-0008	7/2007

(72) Inventors: **Tom Schoenherr**, Stuttgart (DE);  
**Andreas Diefenbach**,  
Ludwigsburg-Oßweil (DE); **Yunwei**  
**Zhu**, Stuttgart (DE)

(73) Assignee: **Hansgrohe SE**, Schiltach (DE)

(\*\*) Term: **15 Years**

(21) Appl. No.: **29/585,581**

(22) Filed: **Nov. 28, 2016**

(30) **Foreign Application Priority Data**

May 30, 2016 (EM) ..... 003160894-0005

(51) **LOC (11) Cl.** ..... **23-01**

(52) **U.S. Cl.**  
USPC ..... **D23/254**

(58) **Field of Classification Search**  
USPC ..... D23/238, 241–243, 249–250, 252, 254,  
D23/245; D8/307–308, 310–312

CPC ..... Y10T 137/9464  
See application file for complete search history.

(56) **References Cited**

U.S. PATENT DOCUMENTS

D208,918 S	*	10/1967	Dole	.....	D8/311
D321,243 S	*	10/1991	Comstock, Jr.	.....	D23/245
D522,840 S		6/2006	Haug et al.		
D529,586 S	*	10/2006	Kulig	.....	D23/241
D627,858 S	*	11/2010	Hanna	.....	D23/250
D665,878 S	*	8/2012	Flowers	.....	D23/250
D716,658 S	*	11/2014	Sillince	.....	D9/447
D758,550 S	*	6/2016	Thompson	.....	D23/254
D775,493 S	*	1/2017	Funnell, II	.....	D7/406

\* cited by examiner

*Primary Examiner* — Robert A Delehanty

(74) *Attorney, Agent, or Firm* — Lora J. Graentzdoerffer

(57) **CLAIM**

The ornamental design for a faucet handle, as shown and described.

**DESCRIPTION**

FIG. 1 is a perspective view of a faucet handle showing our design;

FIG. 2 is a front elevation view;

FIG. 3 is a rear elevation view;

FIG. 4 is side elevation view;

FIG. 5 is a top plan view; and,

FIG. 6 is a bottom plan view.

The broken-line disclosure in the view represents a portion of the faucet handle in which the claimed design is embodied, but which forms no part of the claimed design.

**1 Claim, 6 Drawing Sheets**

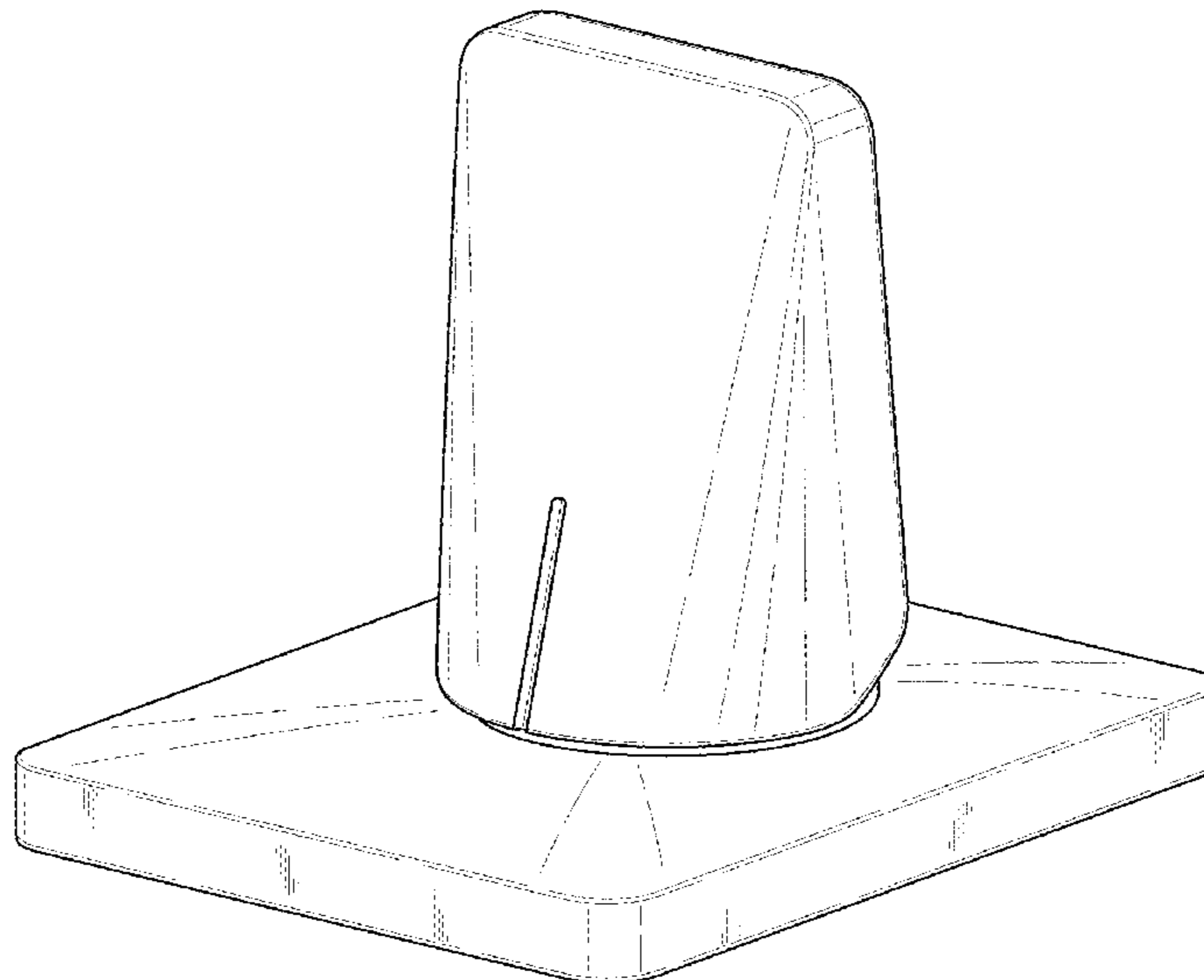


FIG. 1

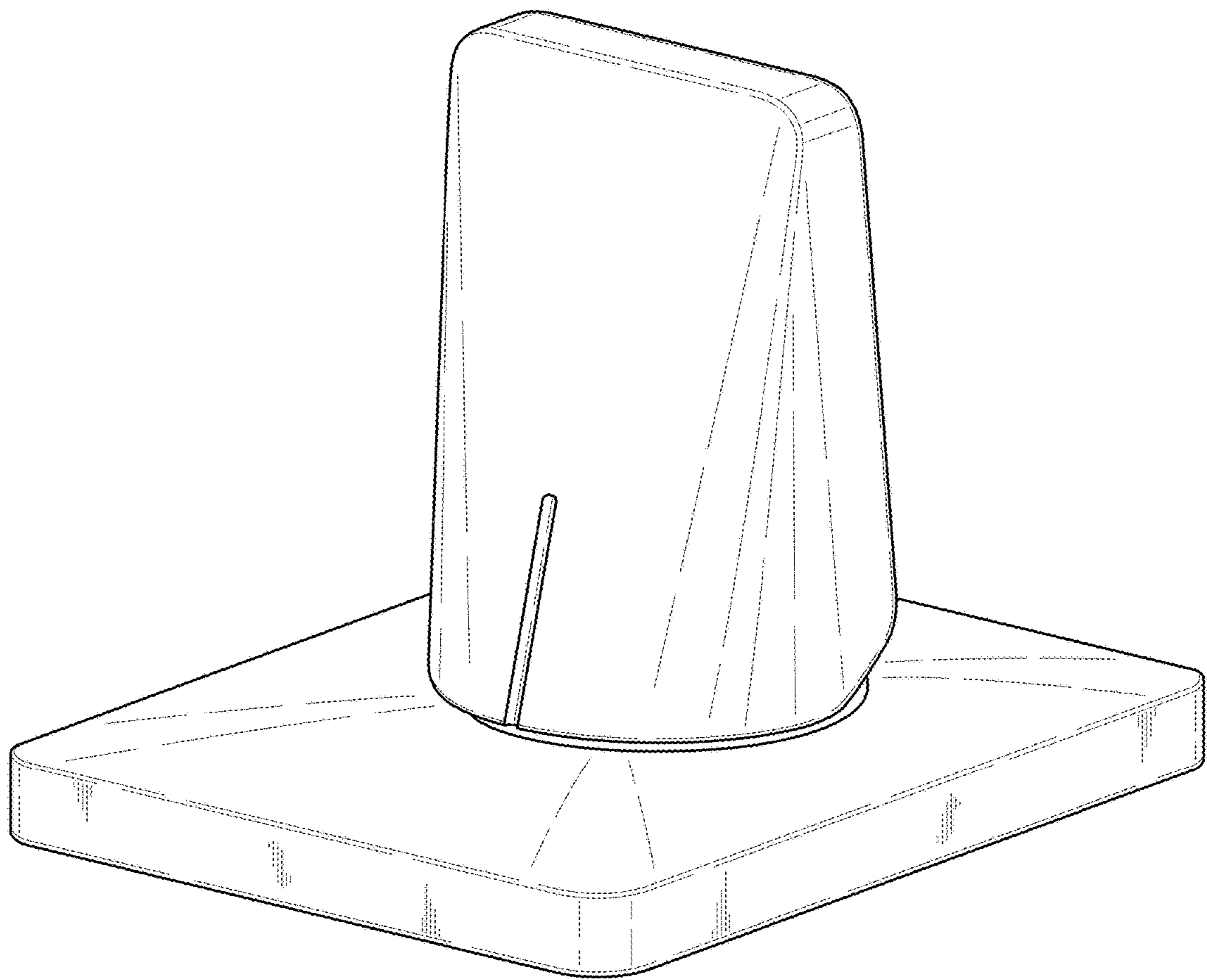


FIG. 2

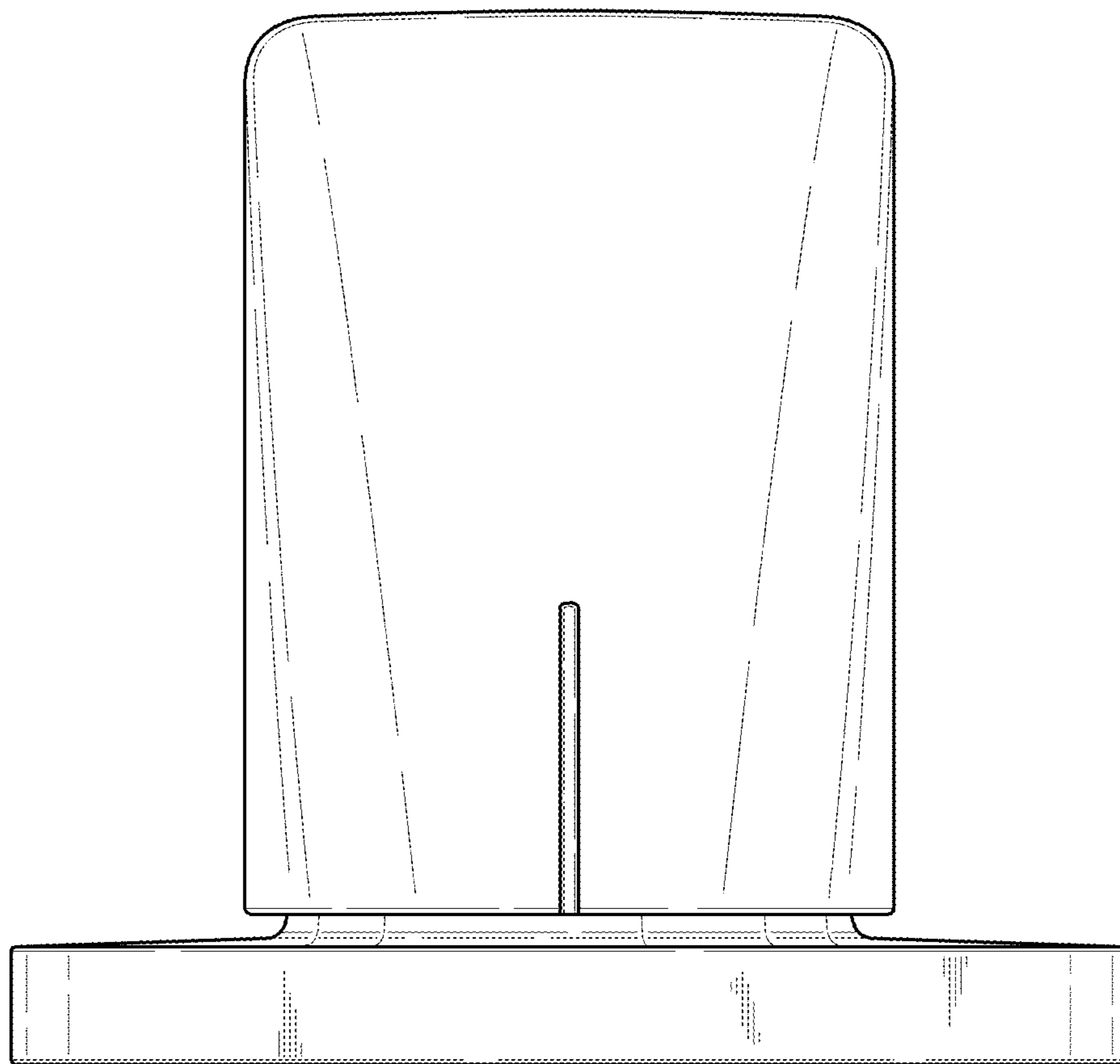


FIG. 3

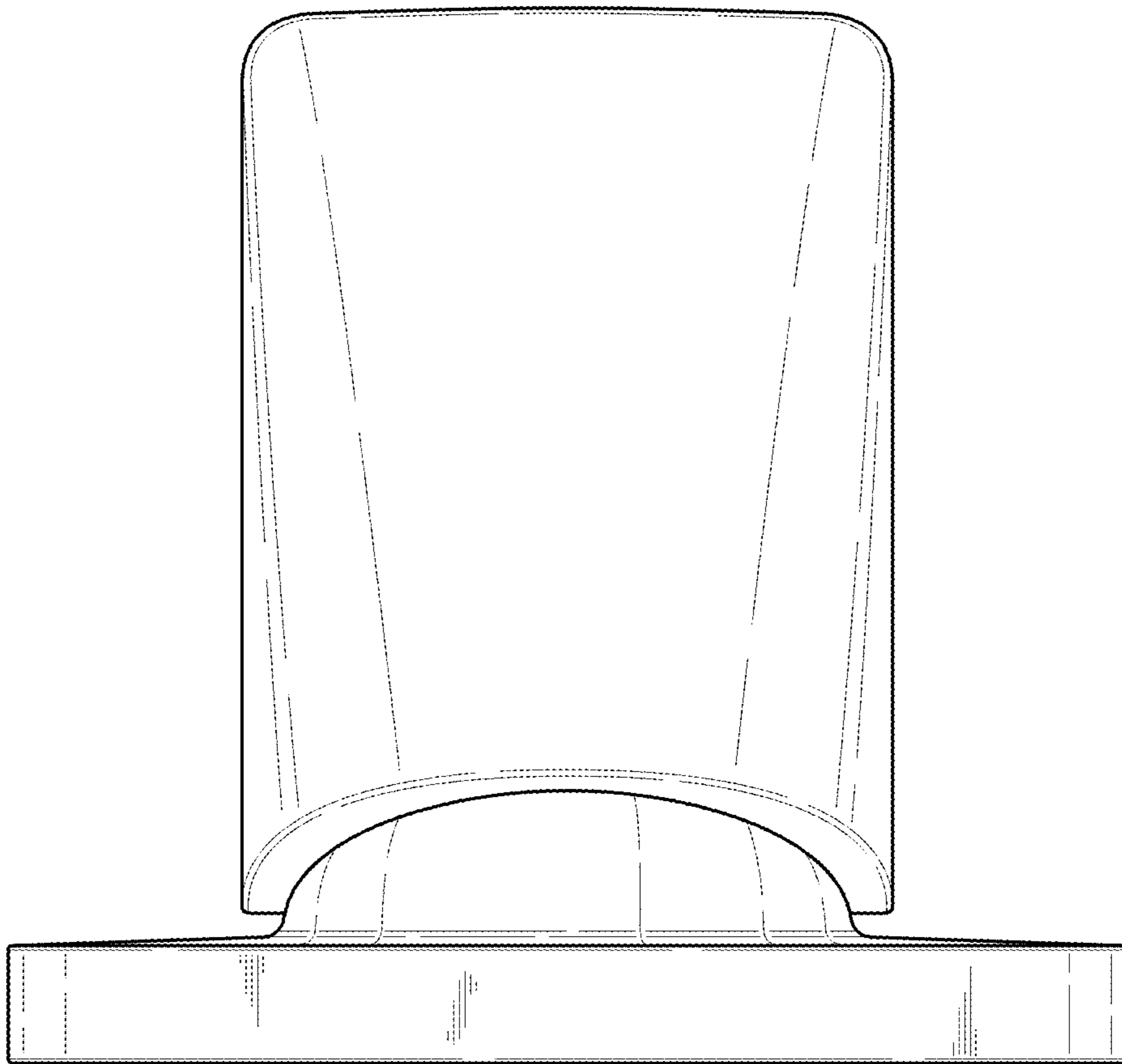


FIG. 4

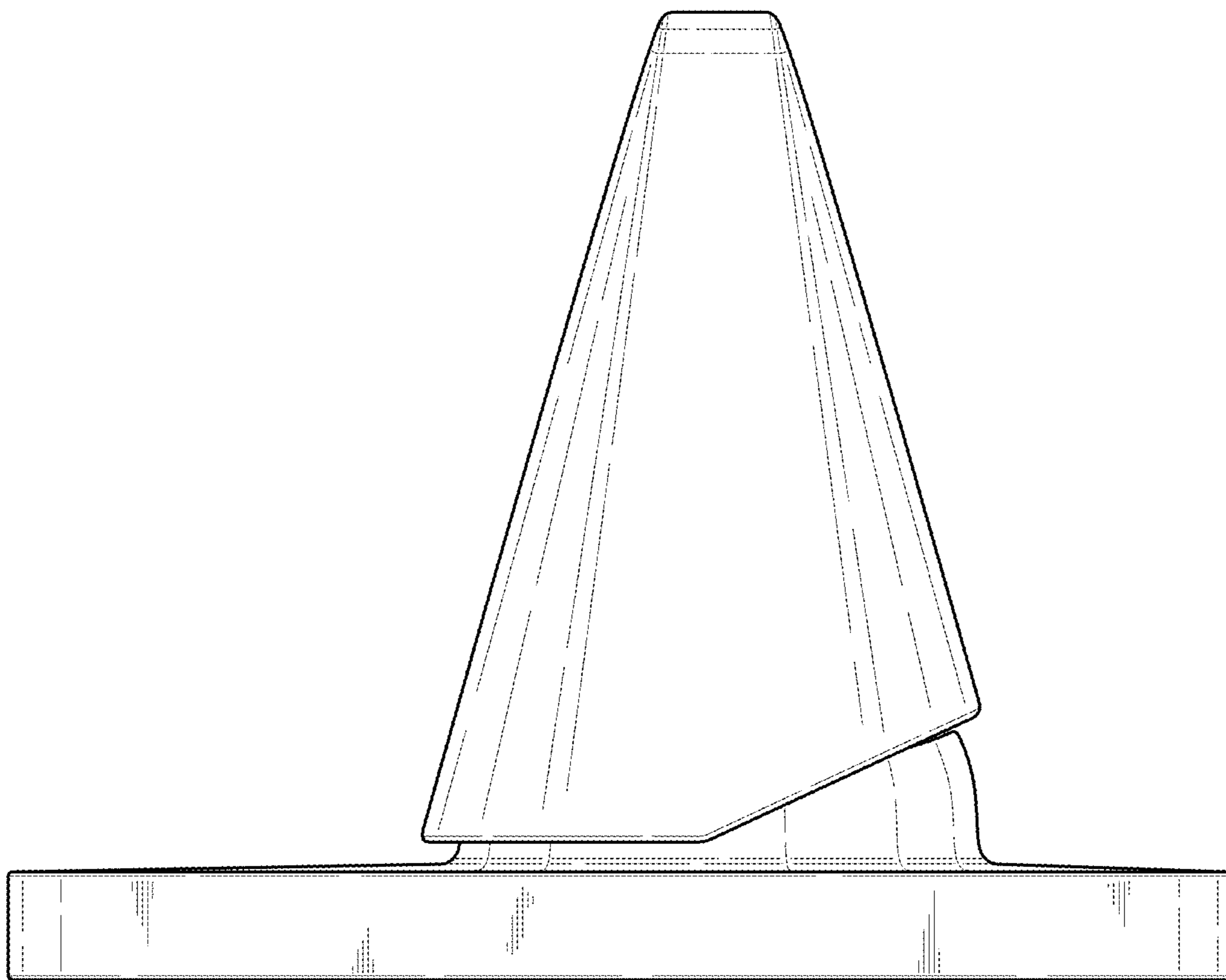


FIG. 5

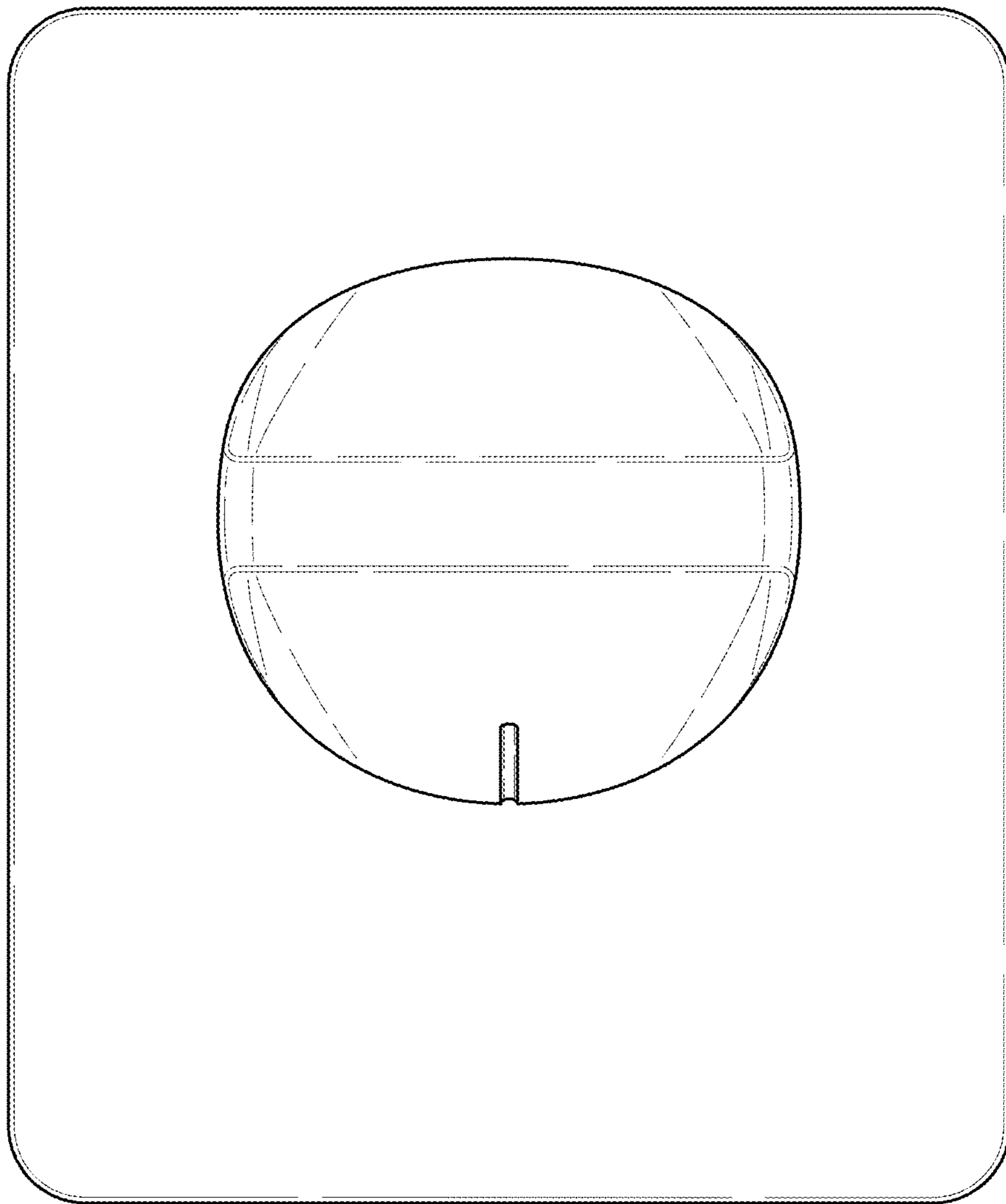


FIG. 6

