



US00D810883S

(12) **United States Design Patent** (10) **Patent No.:** **US D810,883 S**
Bahler (45) **Date of Patent:** **** Feb. 20, 2018**

(54) **FAUCET ARM**

* cited by examiner

(71) Applicant: **DELTA FAUCET COMPANY,**
Indianapolis, IN (US)

Primary Examiner — Robert A Delehanty

(72) Inventor: **Jordan Bahler,** Frankfort, IN (US)

(74) *Attorney, Agent, or Firm* — Edgar A. Zarins; Nirav D. Parikh

(73) Assignee: **DELTA FAUCET COMPANY,**
Indianapolis, IN (US)

(**) Term: **15 Years**

(21) Appl. No.: **29/582,959**

(22) Filed: **Nov. 1, 2016**

(51) **LOC (11) Cl.** **23-01**

(52) **U.S. Cl.**
USPC **D23/249**

(58) **Field of Classification Search**
USPC D23/238, 241–243, 249, 255, 257
CPC Y10T 137/9464
See application file for complete search history.

(56) **References Cited**

U.S. PATENT DOCUMENTS

D598,979 S * 8/2009 Nobili D23/238
D605,260 S * 12/2009 Allard D23/255
D681,783 S * 5/2013 Chong D23/249
D708,713 S * 7/2014 Yu D23/238

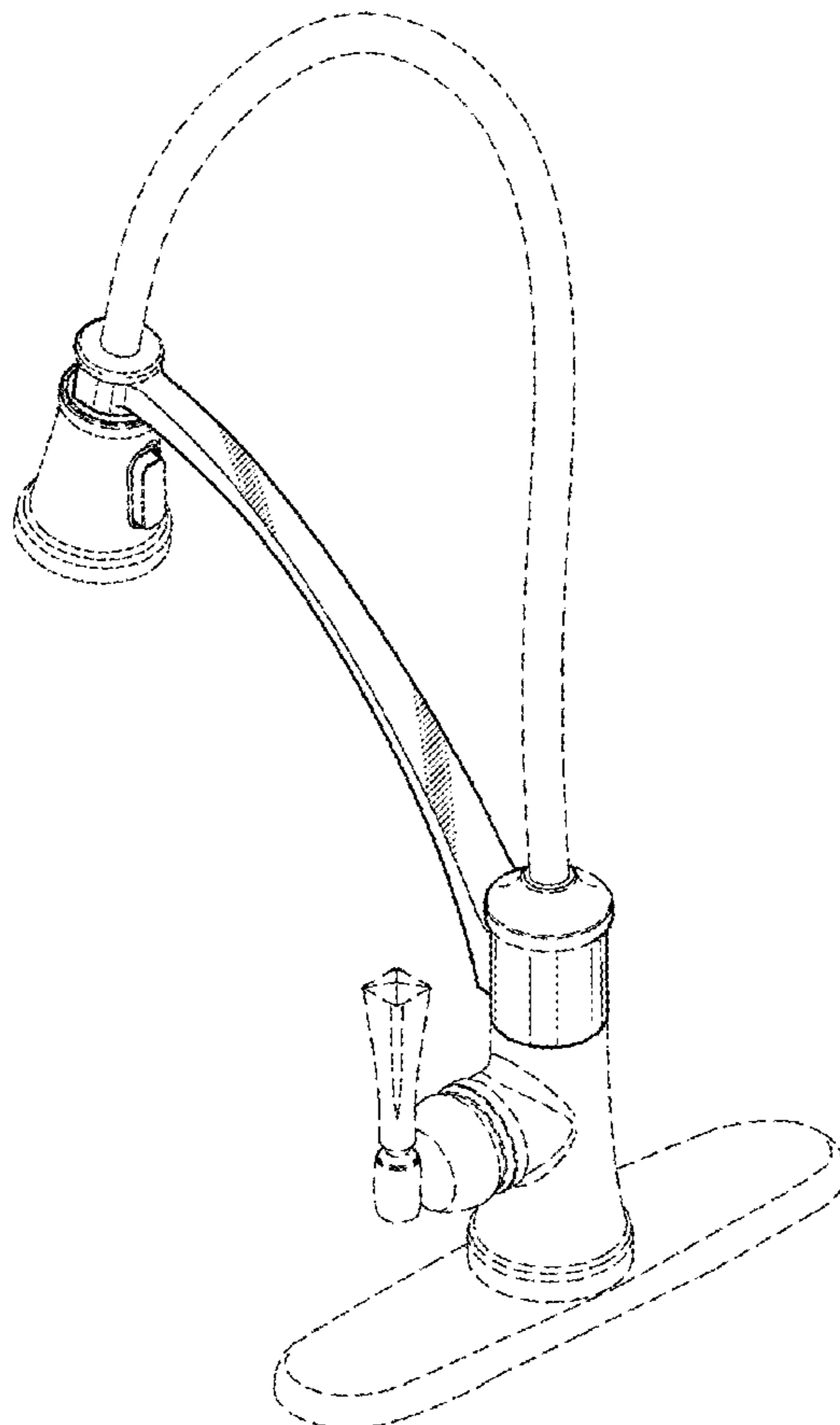
(57) **CLAIM**

The ornamental design for a faucet arm, as shown and described.

DESCRIPTION

FIG. 1 is a perspective view of a faucet arm showing my new design;
FIG. 2 is another perspective view thereof;
FIG. 3 is a front elevational view thereof;
FIG. 4 is a rear view thereof;
FIG. 5 is a top plan view thereof;
FIG. 6 is a left view thereof, the opposite side being a mirror image of the side shown; and,
FIG. 7 is a bottom view thereof.

1 Claim, 3 Drawing Sheets



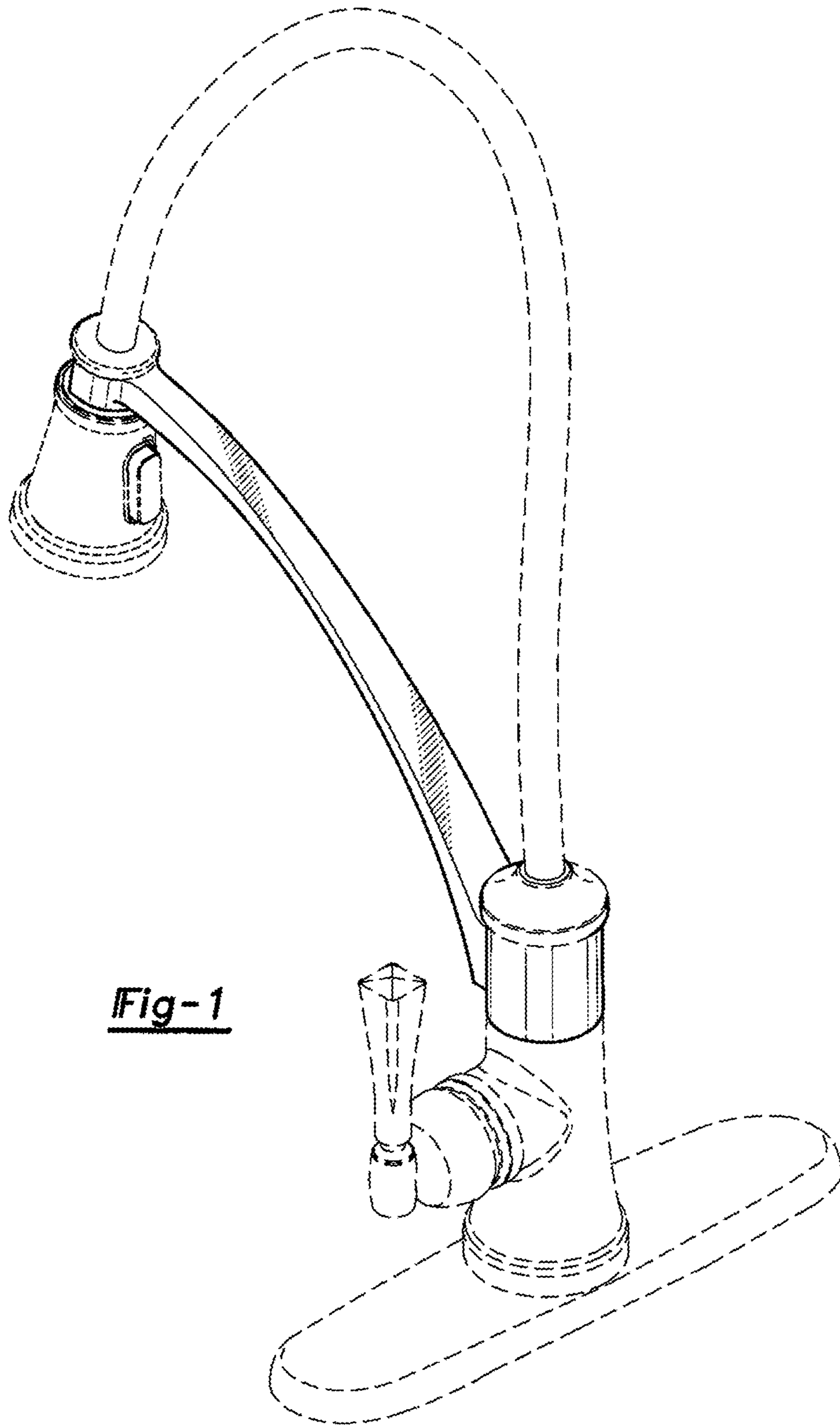


Fig-1

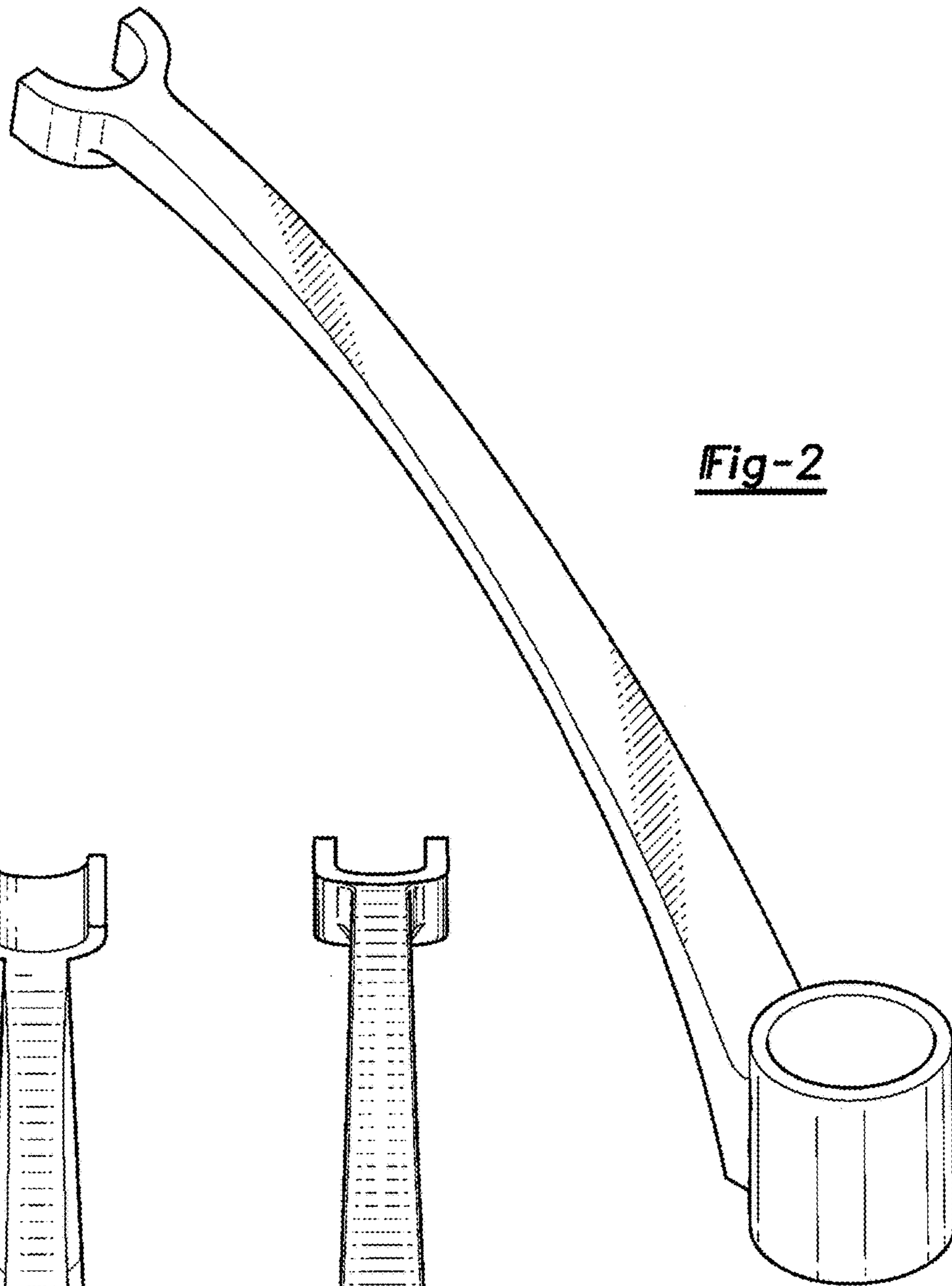


Fig-2

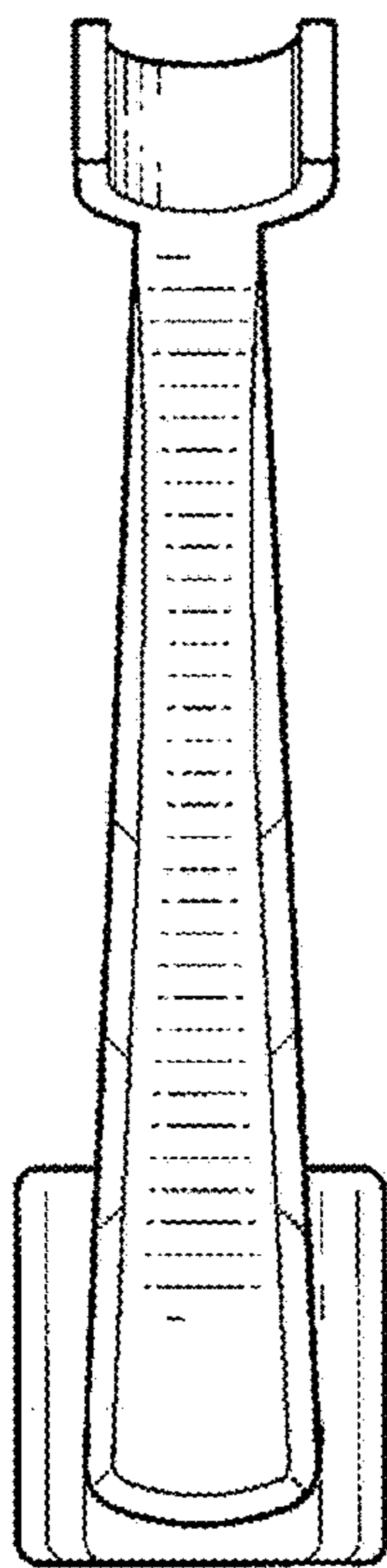


Fig-3

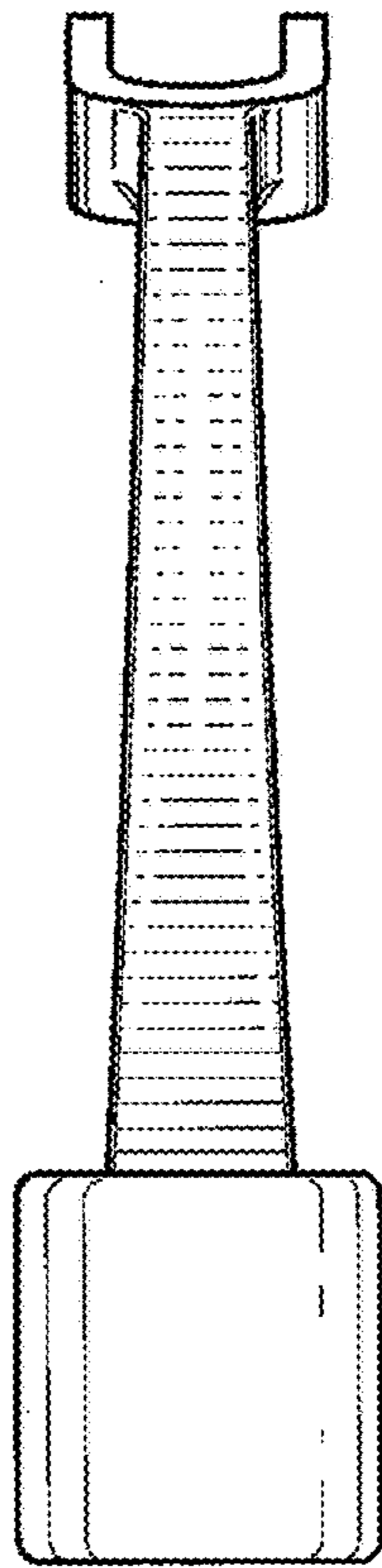


Fig-4

Fig-5

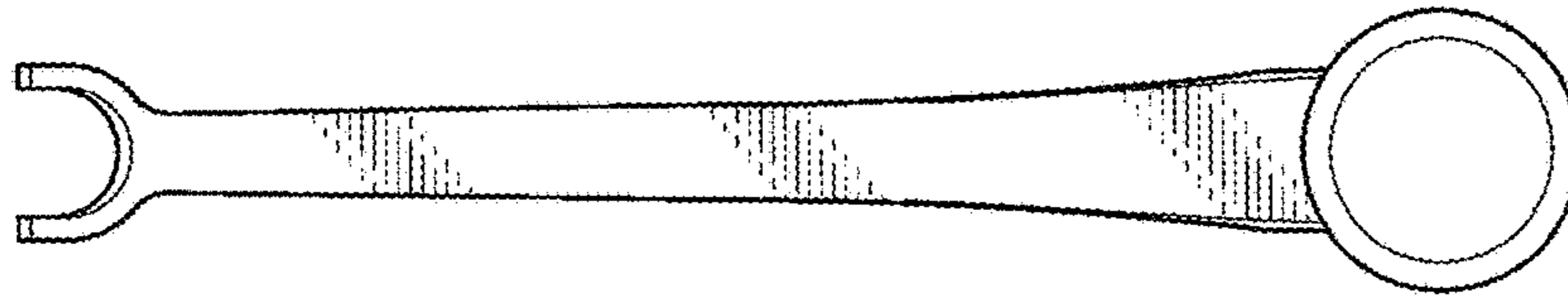


Fig-6

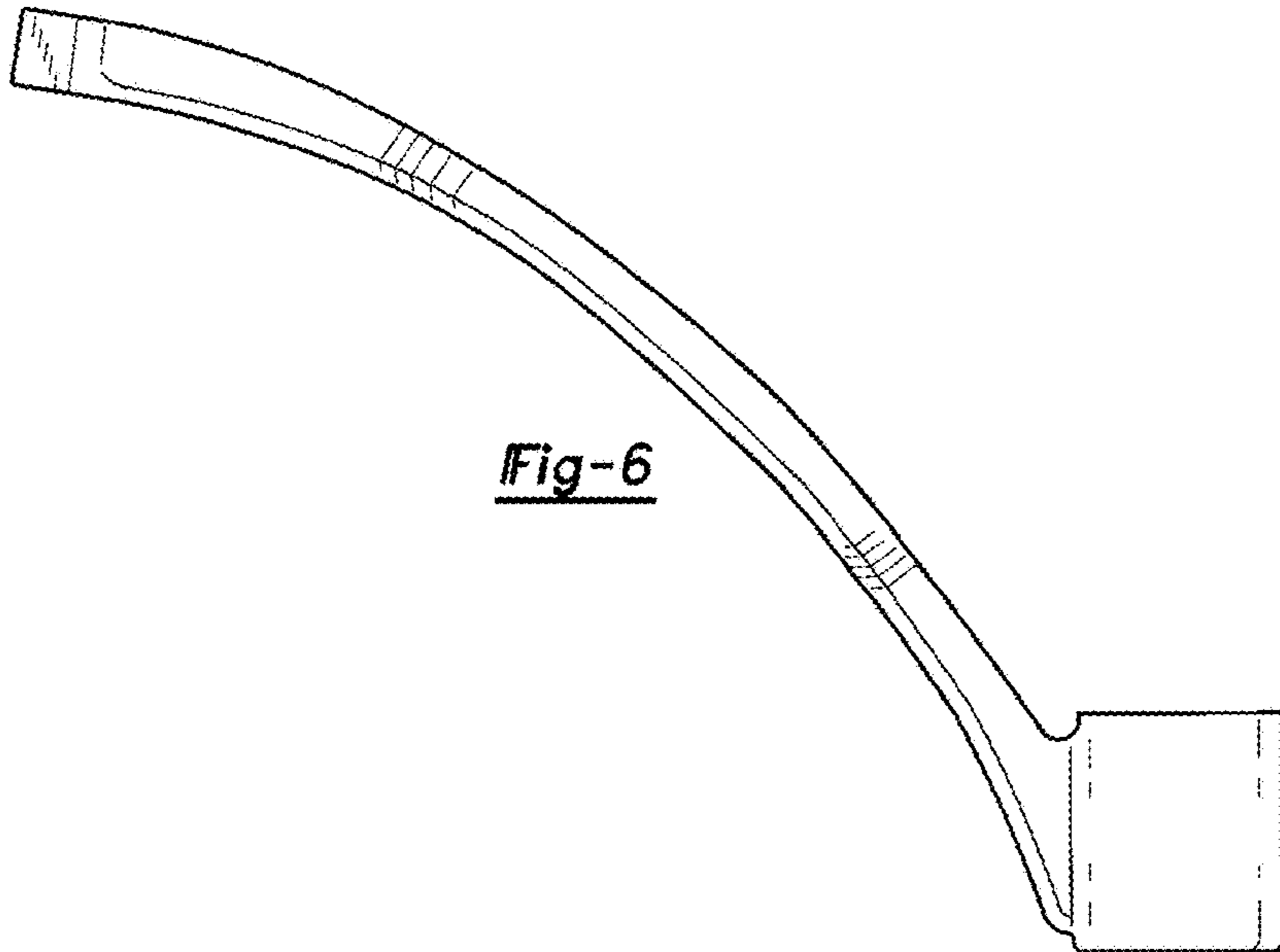


Fig-7

