



US00D810881S

(12) **United States Design Patent**  
**Bahler**

(10) **Patent No.:** **US D810,881 S**

(45) **Date of Patent:** **\*\* Feb. 20, 2018**

(54) **FAUCET ESCUTCHEON**

D635,441 S \* 4/2011 Roberts, III ..... D8/350  
D683,822 S \* 6/2013 Kwok ..... D23/238  
D688,353 S \* 8/2013 Flowers ..... D23/253

(71) Applicant: **DELTA FAUCET COMPANY,**  
Indianapolis, IN (US)

\* cited by examiner

(72) Inventor: **Jordan Bahler,** Frankfort, IN (US)

*Primary Examiner* — Robert A Delehanty

(73) Assignee: **DELTA FAUCET COMPANY,**  
Indianapolis, IN (US)

(74) *Attorney, Agent, or Firm* — Edgar A. Zarins; Nirav D. Parikh

(\*\*) Term: **15 Years**

(57) **CLAIM**

(21) Appl. No.: **29/582,112**

The ornamental design for a faucet escutcheon, as shown and described.

(22) Filed: **Oct. 25, 2016**

(51) **LOC (11) Cl.** ..... **23-01**

(52) **U.S. Cl.**  
USPC ..... **D23/249**

**DESCRIPTION**

(58) **Field of Classification Search**  
USPC ..... D23/238, 241–243, 249, 255, 257;  
D8/350  
CPC ..... Y10T 137/9464  
See application file for complete search history.

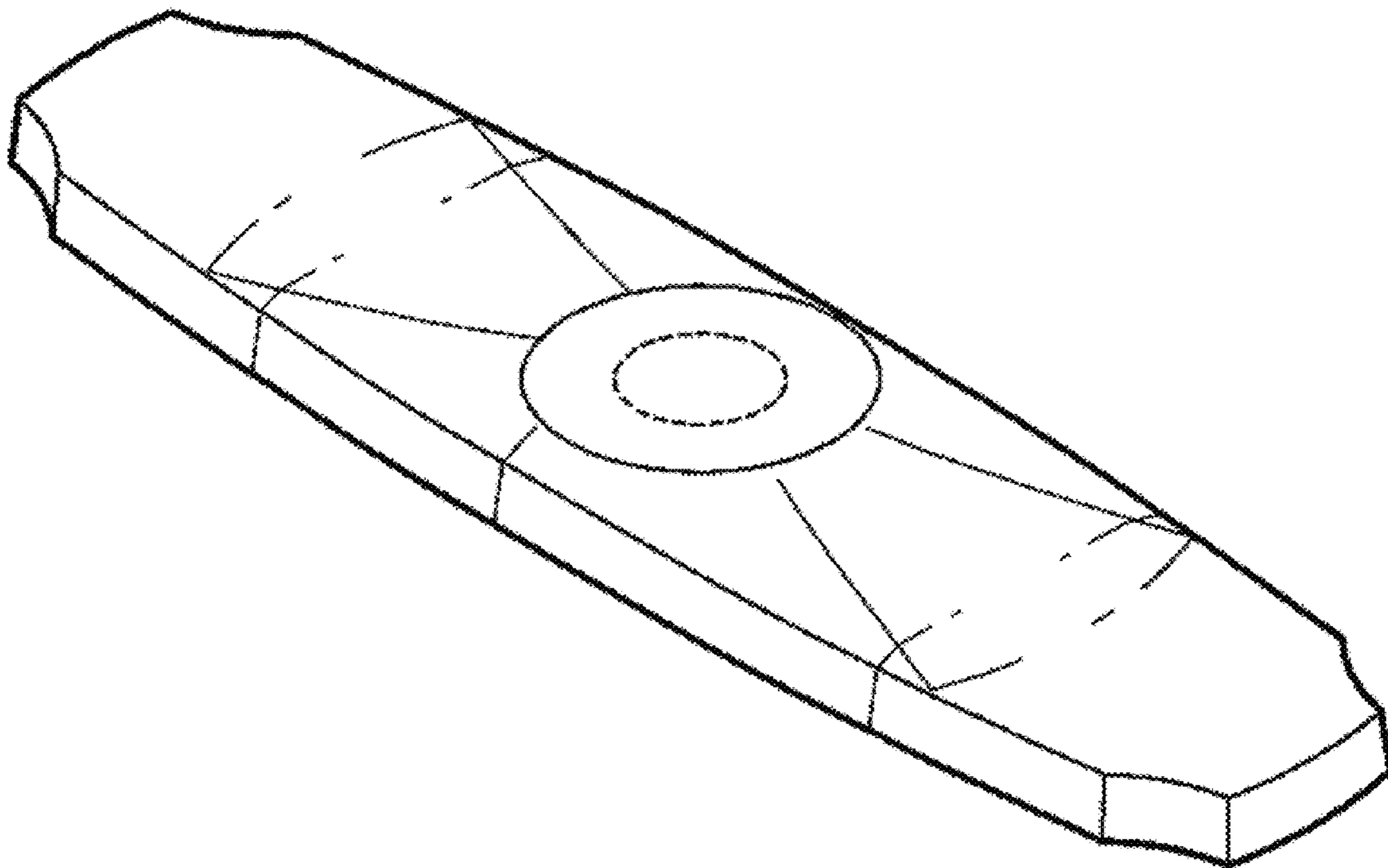
FIG. 1 is a perspective view of a faucet escutcheon showing my new design;  
FIG. 2 is a top plan view thereof;  
FIG. 3 is a first side view thereof, the opposite side being a mirror image of the side shown;  
FIG. 4 is a bottom view thereof; and,  
FIG. 5 is a first end view thereof, the opposite end being a mirror image of the side shown.

(56) **References Cited**

**U.S. PATENT DOCUMENTS**

D527,799 S \* 9/2006 Schaffeld ..... D23/249

**1 Claim, 1 Drawing Sheet**



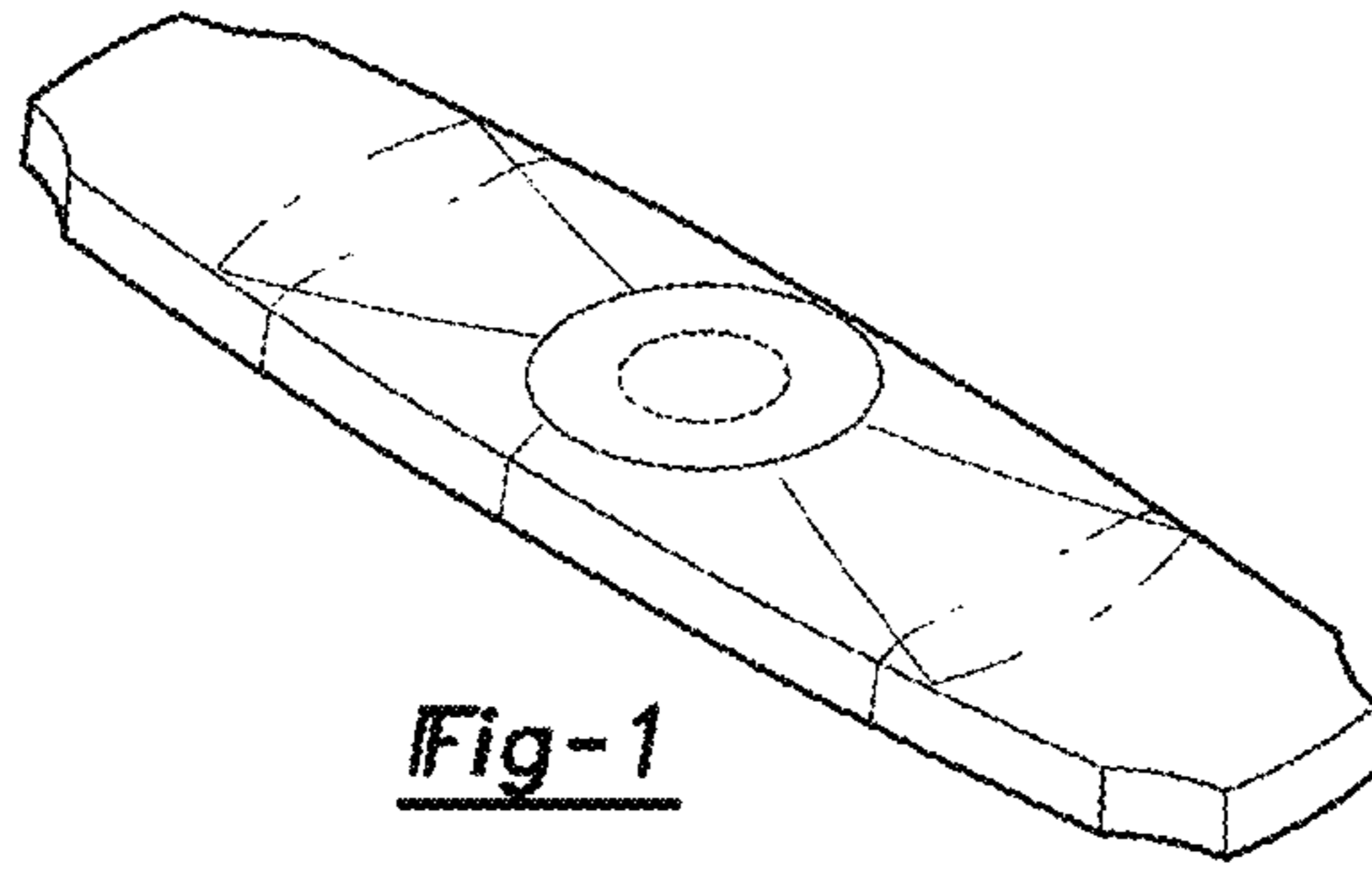


Fig-1

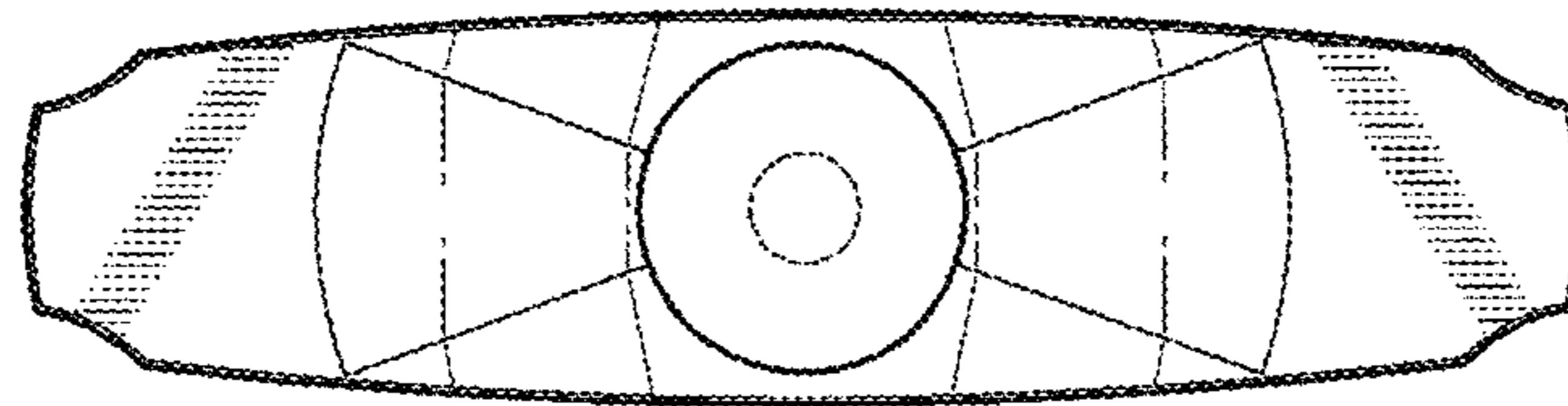


Fig-2



Fig-3

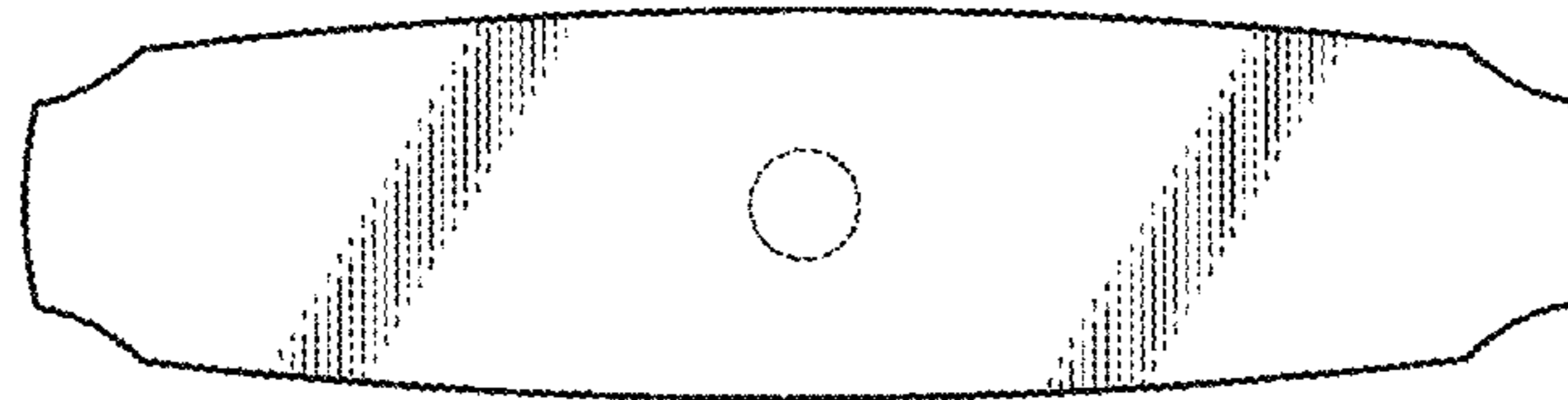


Fig-4

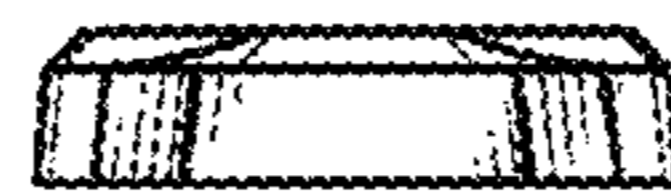


Fig-5