



US00D810880S

(12) **United States Design Patent** (10) **Patent No.:** **US D810,880 S**
Bahler (45) **Date of Patent:** **** Feb. 20, 2018**

(54) **FAUCET BODY**

D674,882 S * 1/2013 Kwok D23/252
D683,822 S * 6/2013 Kwok D23/238
D686,300 S * 7/2013 Fritz D23/238

(71) Applicant: **DELTA FAUCET COMPANY,**
Indianapolis, IN (US)

* cited by examiner

(72) Inventor: **Jordan Bahler,** Frankfort, IN (US)

Primary Examiner — Robert A Delehanty

(73) Assignee: **DELTA FAUCET COMPANY,**
Indianapolis, IN (US)

(74) *Attorney, Agent, or Firm* — Edgar A. Zarins; Nirav D. Parikh

(**) Term: **15 Years**

(57) **CLAIM**

(21) Appl. No.: **29/582,103**

The ornamental design for a faucet body, as shown and described.

(22) Filed: **Oct. 25, 2016**

(51) **LOC (11) Cl.** **23-01**

(52) **U.S. Cl.**
USPC **D23/249**

DESCRIPTION

(58) **Field of Classification Search**
USPC D23/238, 241–243, 249, 255, 257
CPC Y10T 137/9464
See application file for complete search history.

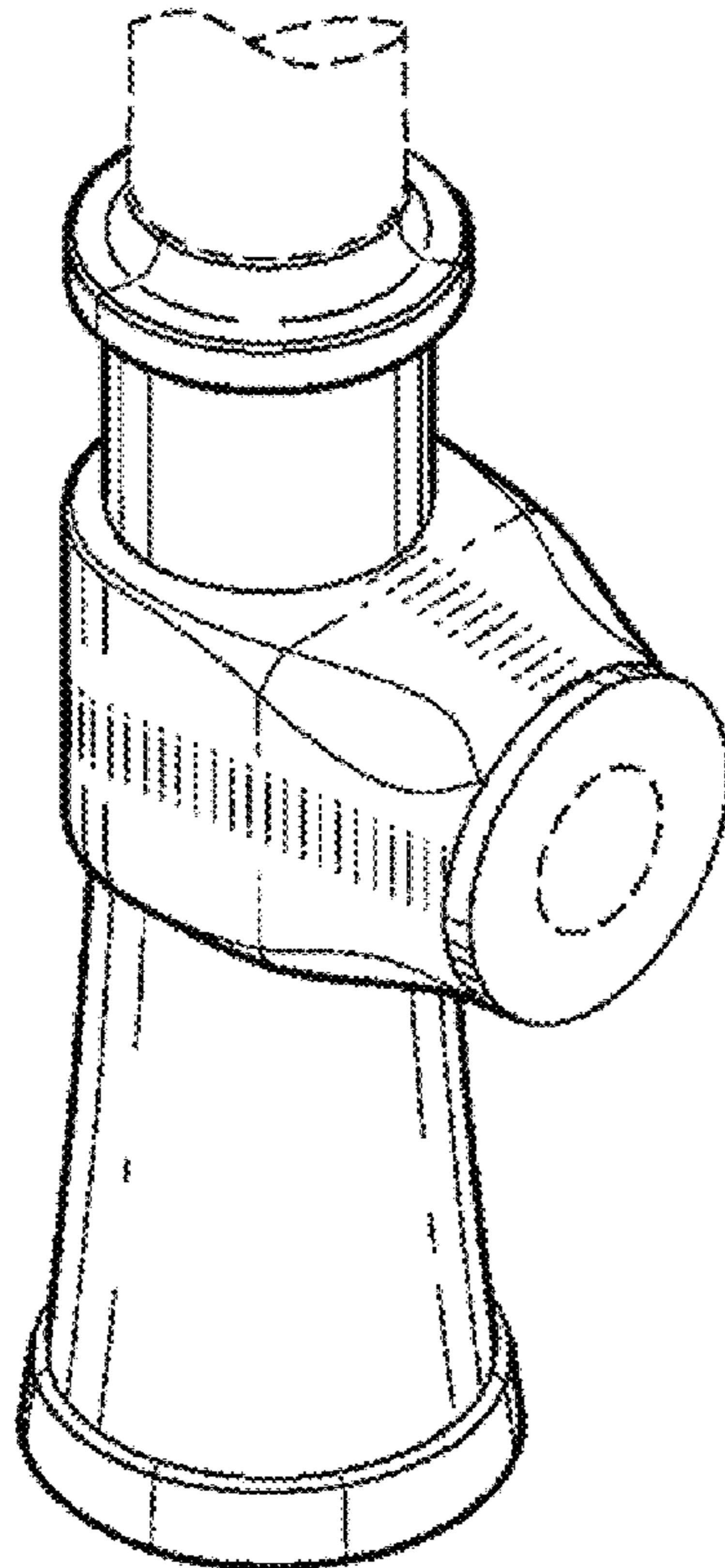
FIG. 1 is a perspective view of a faucet body showing my new design;
FIG. 2 is a top plan view thereof;
FIG. 3 is a bottom view thereof;
FIG. 4 is a first side view thereof;
FIG. 5 is a front side view thereof, the opposite side being a mirror image of the side shown; and,
FIG. 6 is a second side view thereof.

(56) **References Cited**

U.S. PATENT DOCUMENTS

D610,653 S * 2/2010 Schoenherr D23/238
D653,730 S * 2/2012 Bailey D23/238

1 Claim, 1 Drawing Sheet



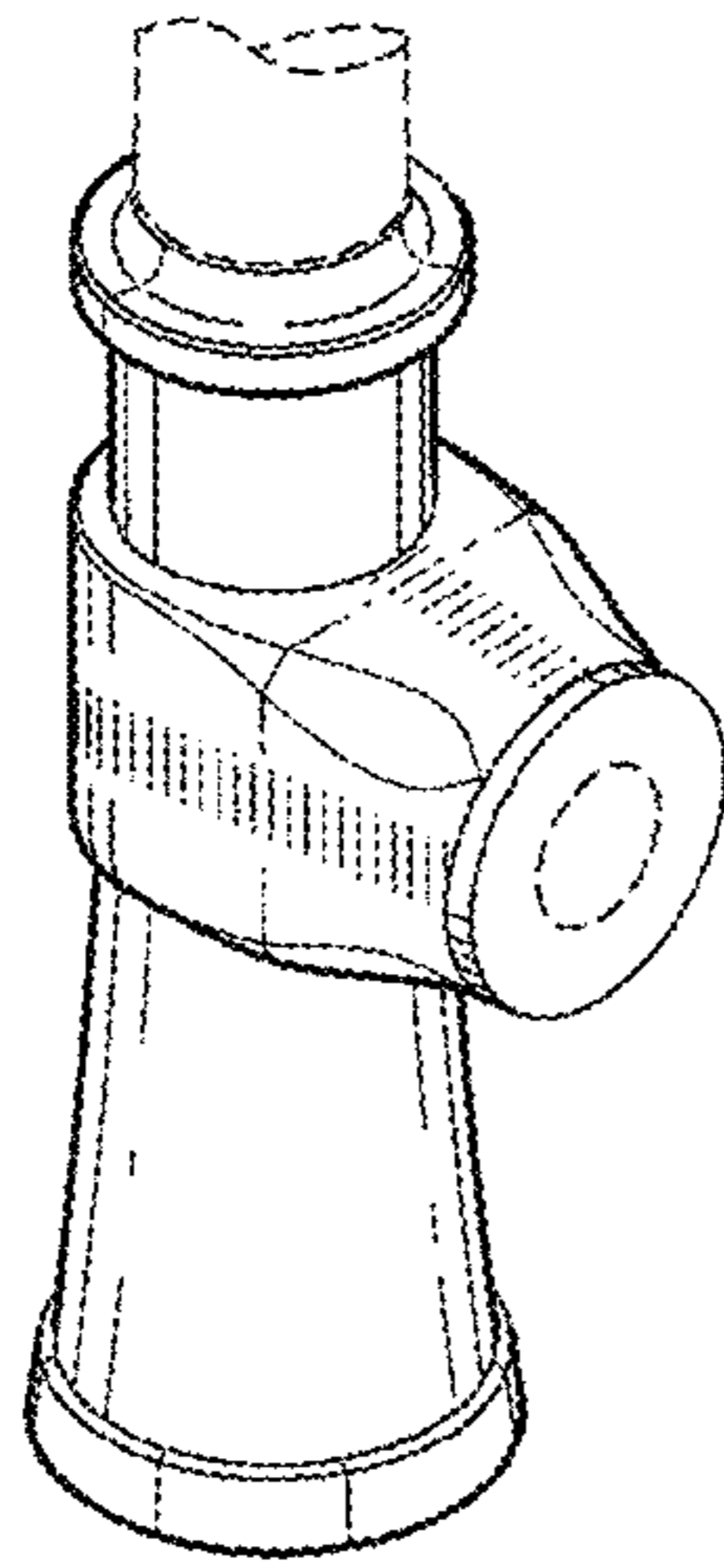


Fig-1

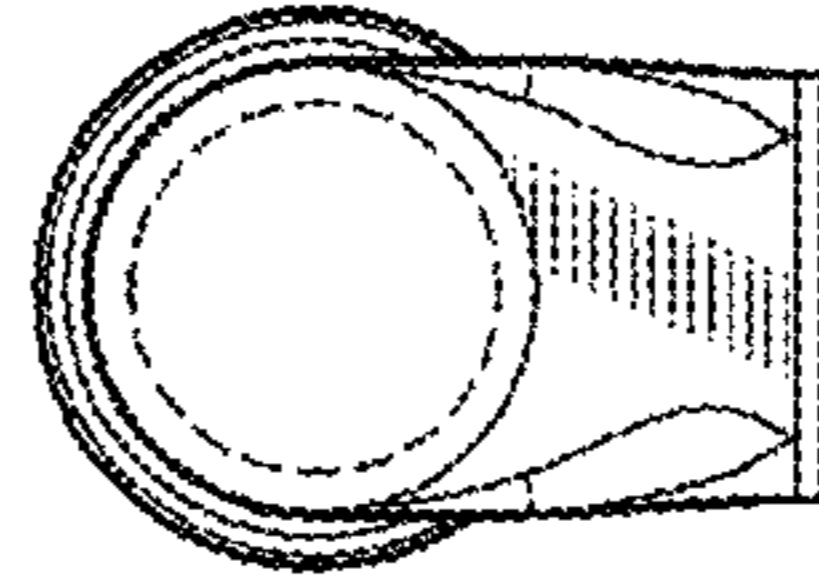


Fig-2

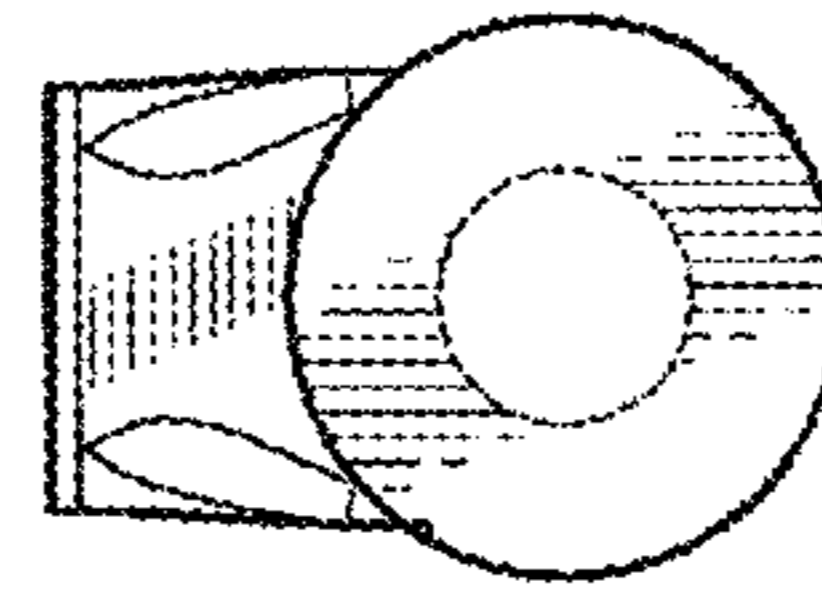


Fig-3

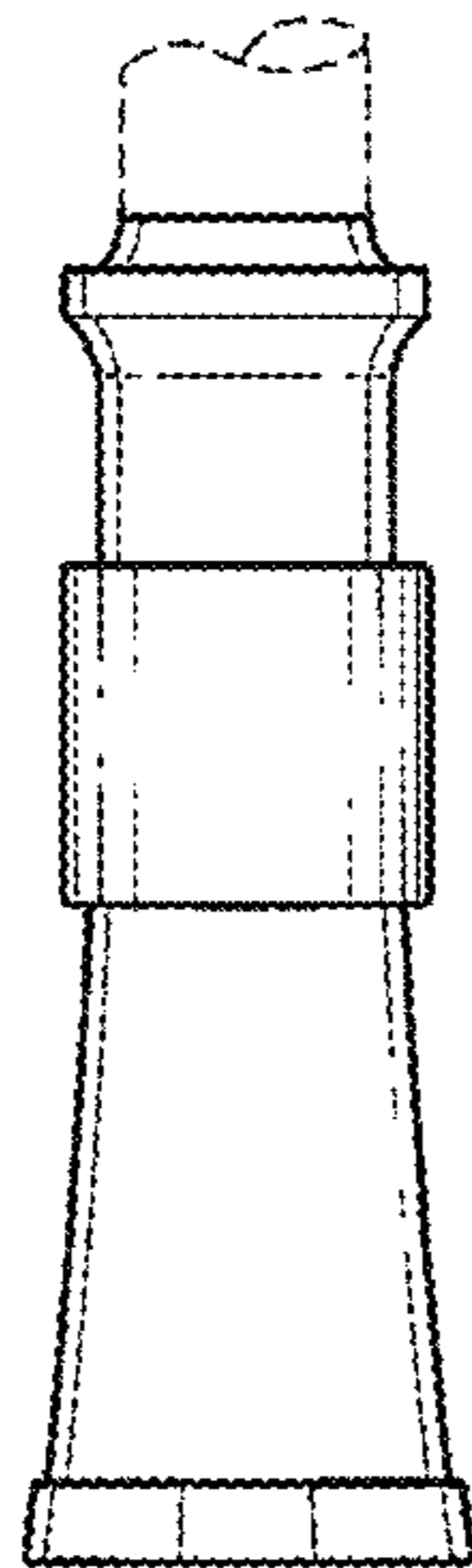


Fig-4

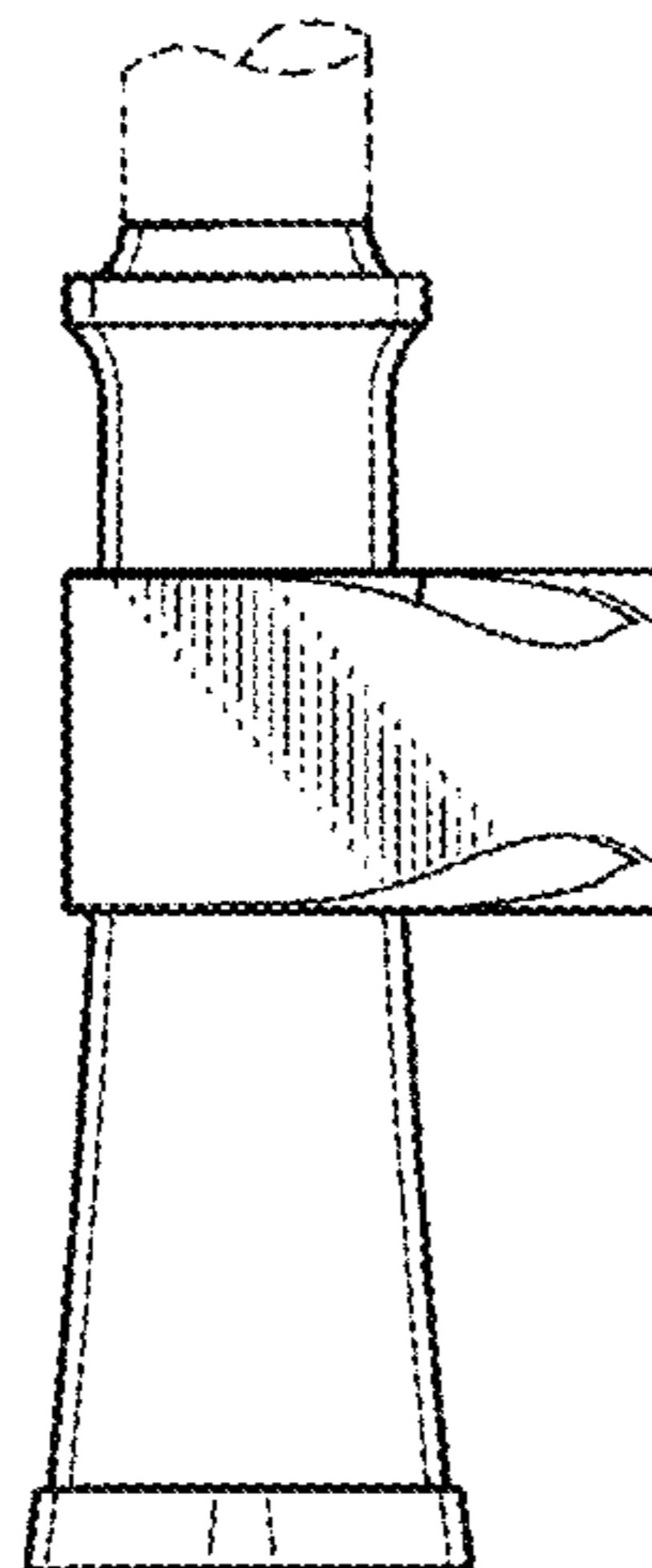


Fig-5

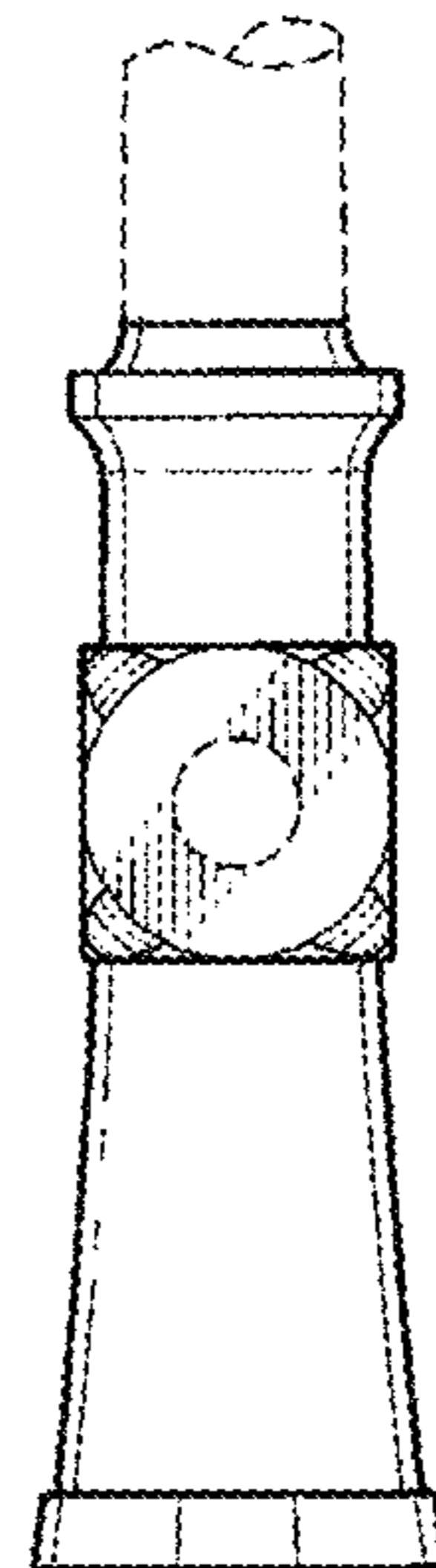


Fig-6