



US00D810879S

(12) **United States Design Patent** (10) **Patent No.:** **US D810,879 S**
Sato (45) **Date of Patent:** **** Feb. 20, 2018**

(54) **BALL VALVE**

(71) Applicant: **ASAHI YUKIZAI CORPORATION**,
Nobeoka-shi, Miyazaki (JP)

(72) Inventor: **Yukinobu Sato**, Nobeoka (JP)

(73) Assignee: **ASAHI YUKIZAI CORPORATION**,
Miyazaki (JP)

(**) Term: **15 Years**

(21) Appl. No.: **29/571,195**

(22) Filed: **Jul. 15, 2016**

(30) **Foreign Application Priority Data**

Jan. 28, 2016 (JP) 2016-001755

(51) **LOC (11) Cl.** **23-01**

(52) **U.S. Cl.**
USPC **D23/249**

(58) **Field of Classification Search**
USPC D23/233, 235, 236, 237, 241, 244, 245,
D23/248, 249, 250, 252, 259, 262, 263,
D23/266; 251/315.01, 315.16, 14, 148,
251/172, 181, 129.03, 214, 228, 235, 292,
251/315.03, 315.05, 315.1; 137/15.22,
137/533.11, 15.18, 553, 798
CPC F16K 27/067; F16K 5/0689; F16K 5/0647;
F16K 15/188; F16K 15/183; F16K
31/602; F16K 31/52458; E21B 2034/002;
F16L 37/47
See application file for complete search history.

(56) **References Cited**

U.S. PATENT DOCUMENTS

D372,073 S * 7/1996 Ozaki D23/245
D411,872 S * 7/1999 Mirth D23/249
D432,634 S * 10/2000 Higgins D23/250
D433,105 S * 10/2000 Mirth D23/250
D455,474 S * 4/2002 Knobel D23/245

D472,962 S * 4/2003 Tripp D23/252
D522,618 S * 6/2006 Matsushita D23/233
D526,387 S * 8/2006 Bonomi D23/236
D616,068 S * 5/2010 Collins D23/233
D721,786 S * 1/2015 Bisio D23/233

OTHER PUBLICATIONS

“Ball Valve”, www.orbit.com. Chinese Design Registration
303997905, Application Date Jul. 27, 2016. Shown in pp. 1-4.
(Year: 2016).*

“Ball Valve”, www.orbit.com. Japan Design Registration
D1553069, Application Date Jan. 28, 2016. Shown in pp. 1-4. (Year:
2016).*

“Ball Valve”, www.orbit.com. Japan Design Registration
D1553070, Application Date Jan. 28, 2016. Shown in pp. 1-4. (Year:
2016).*

* cited by examiner

Primary Examiner — Cynthia Ramirez

Assistant Examiner — Gino Colan

(74) *Attorney, Agent, or Firm* — Buchanan Ingersoll &
Rooney PC

(57) **CLAIM**

The ornamental design for a ball valve, as shown and
described.

DESCRIPTION

FIG. 1 is a perspective view of a ball valve showing my new
design;

FIG. 2 is a front view thereof;

FIG. 3 is a rear view thereof;

FIG. 4 is a left side view thereof;

FIG. 5 is a right side view thereof;

FIG. 6 is a top plan view thereof; and,

FIG. 7 is a bottom plan view thereof.

The broken lines in the drawings are for the purpose of
illustrating unclaimed portions of the ball valve and form no
part of the claimed design.

1 Claim, 5 Drawing Sheets

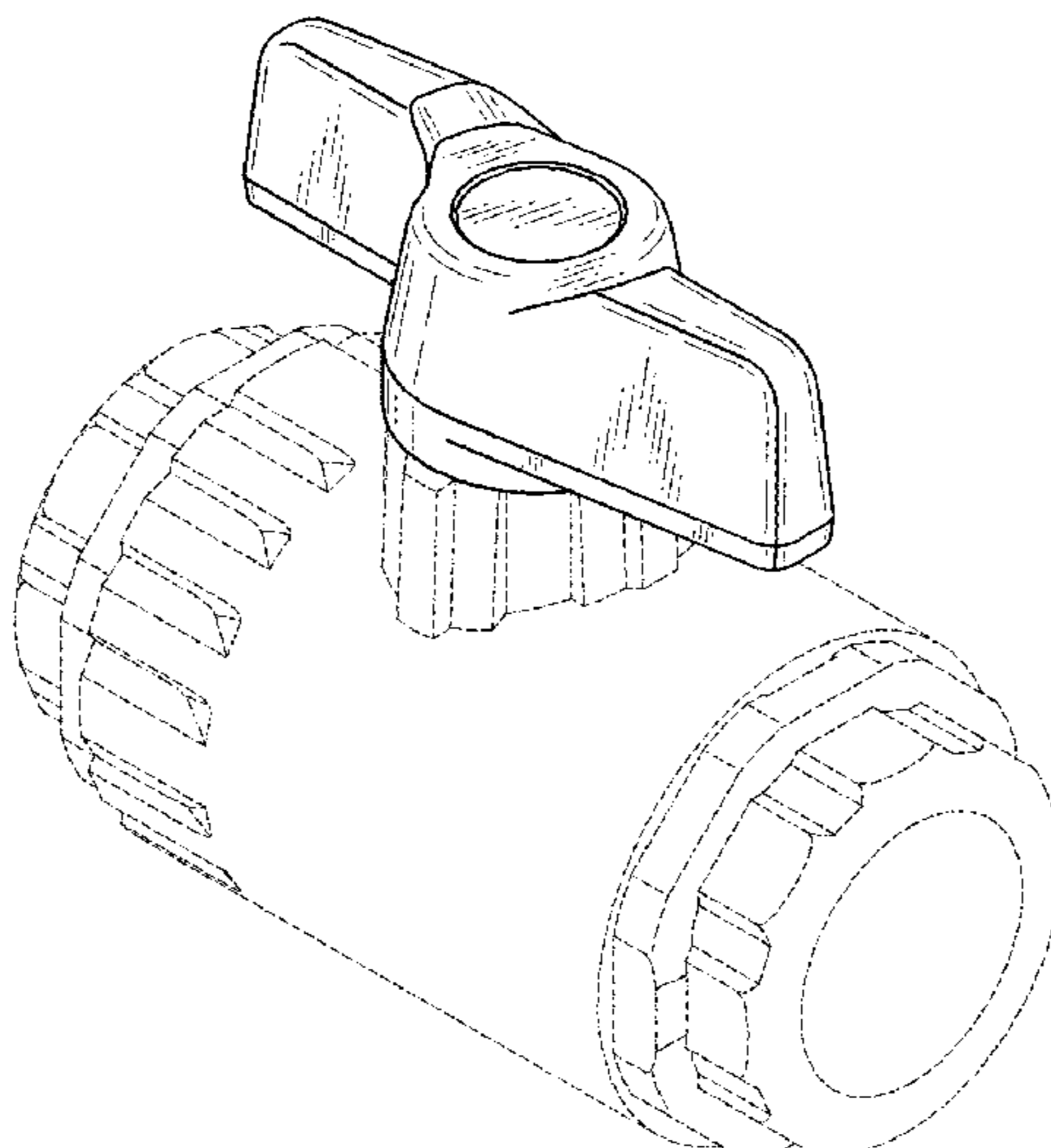


FIG. 1

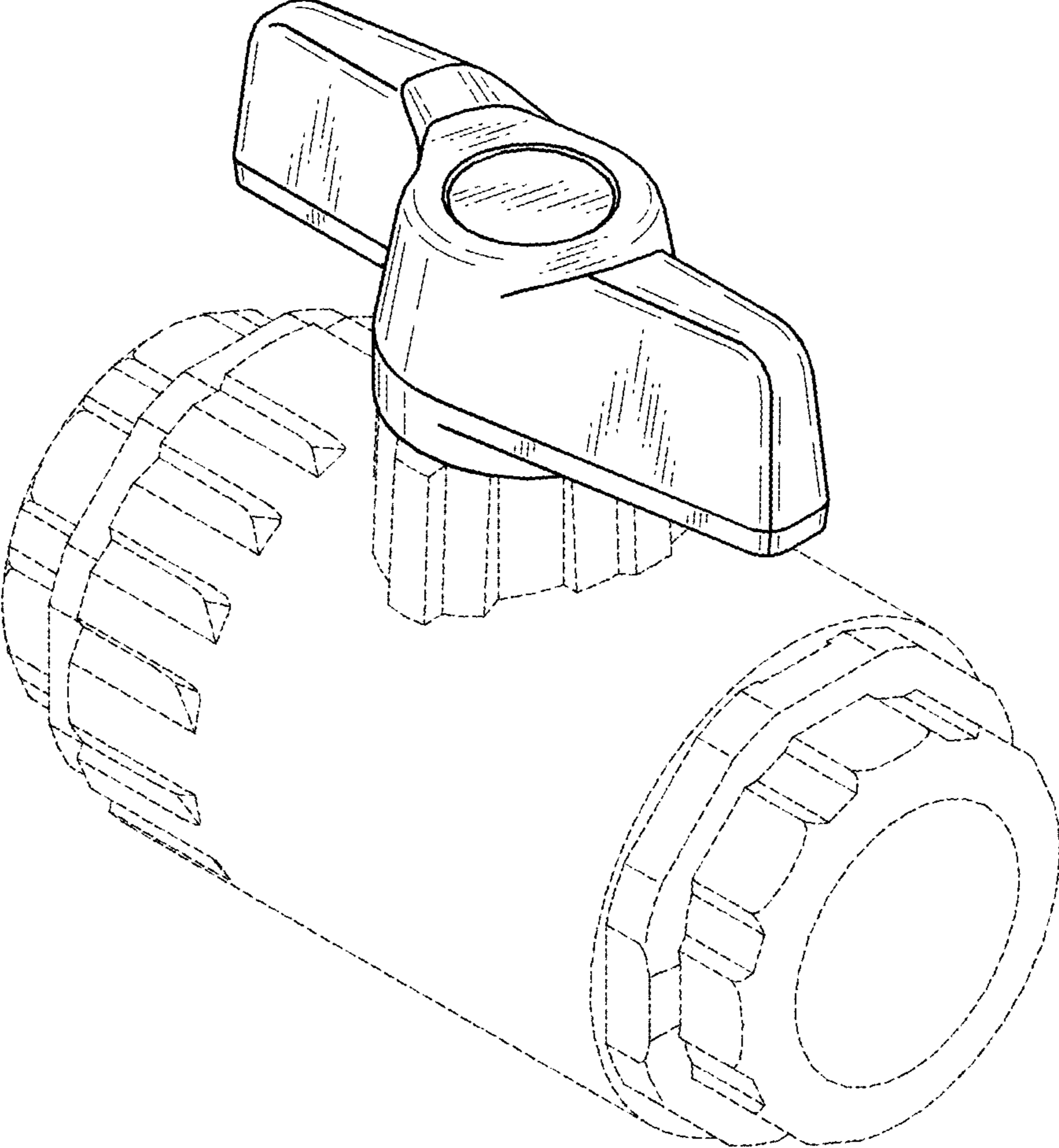


FIG. 2

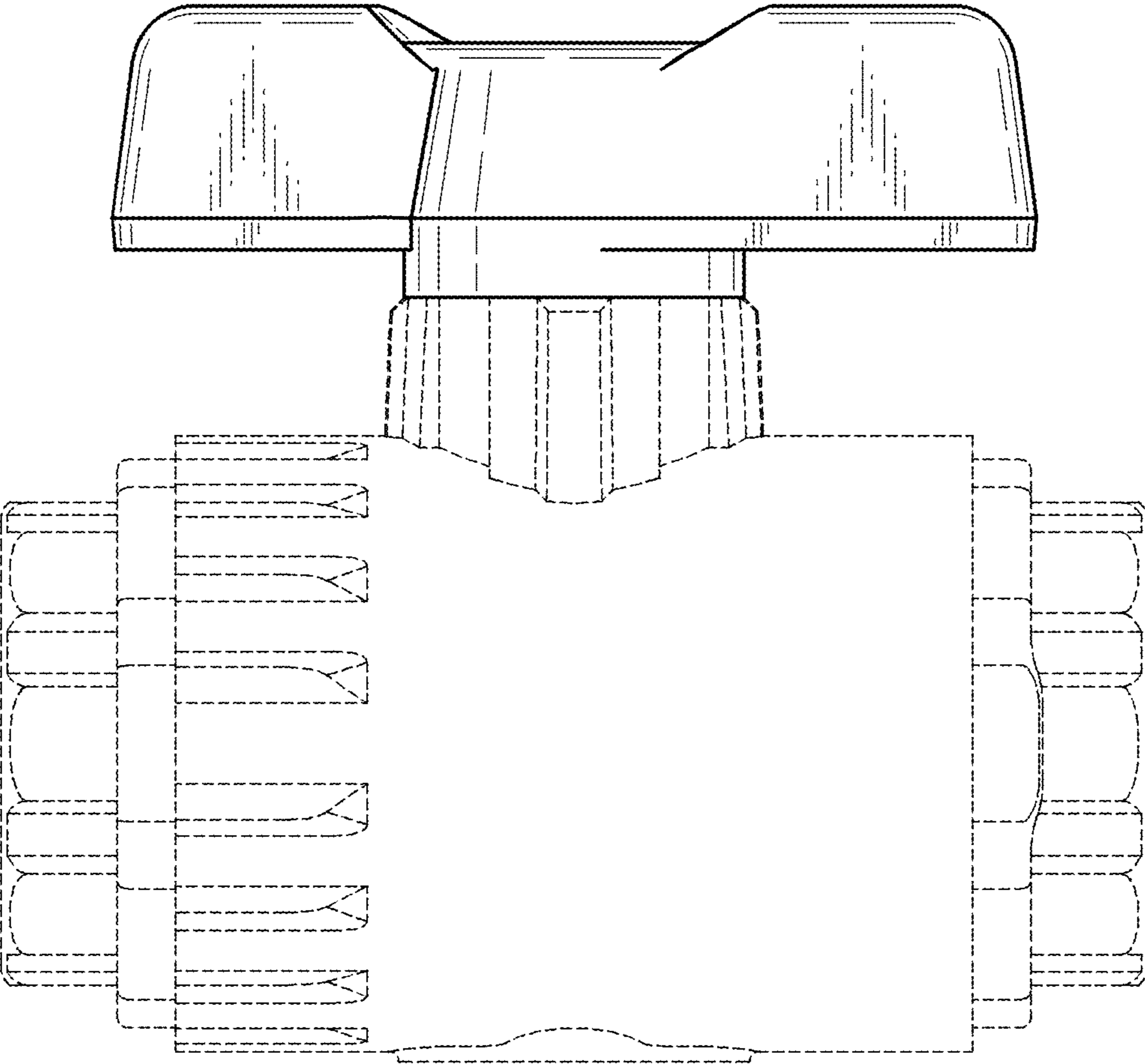


FIG. 3

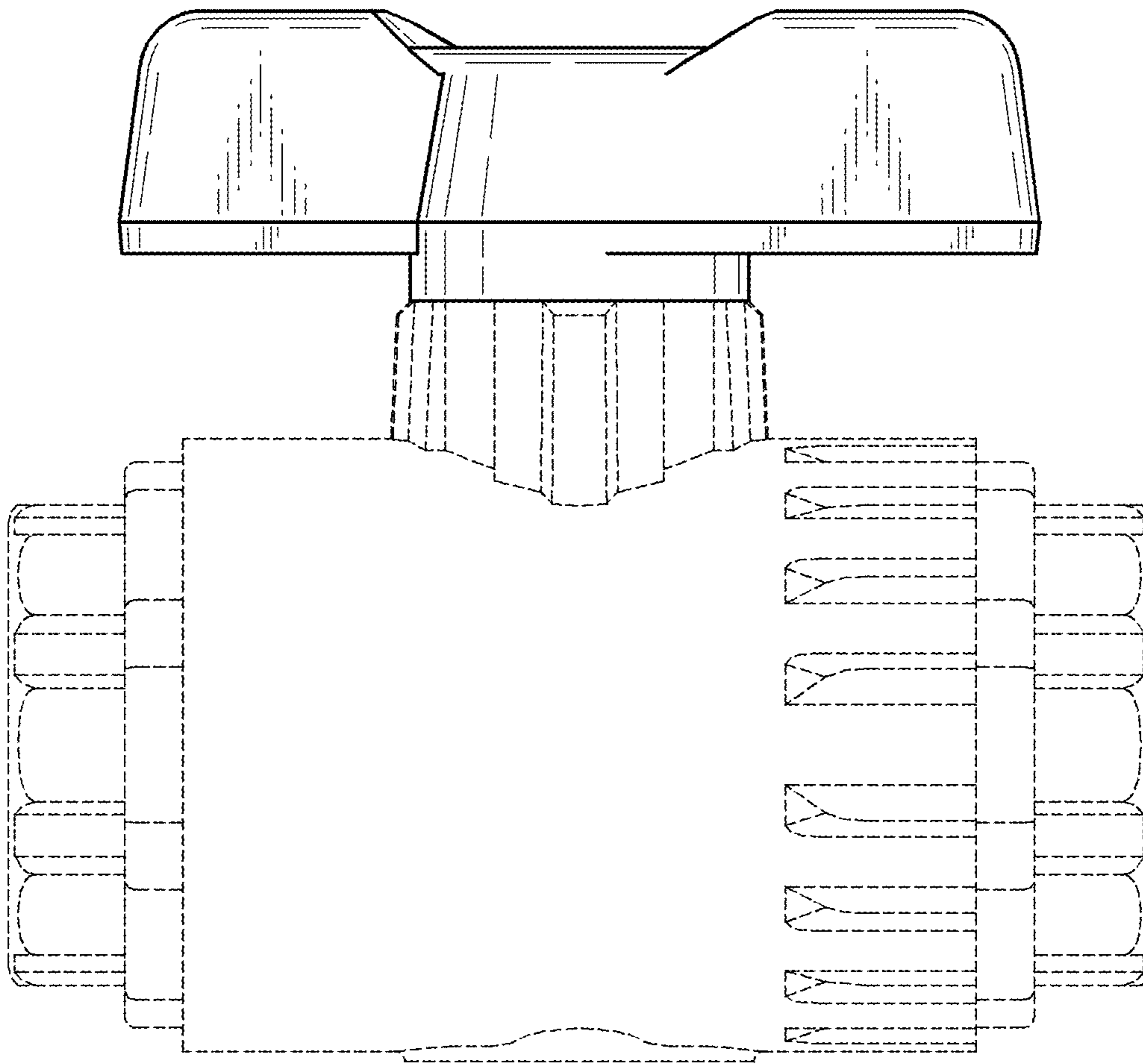


FIG. 4

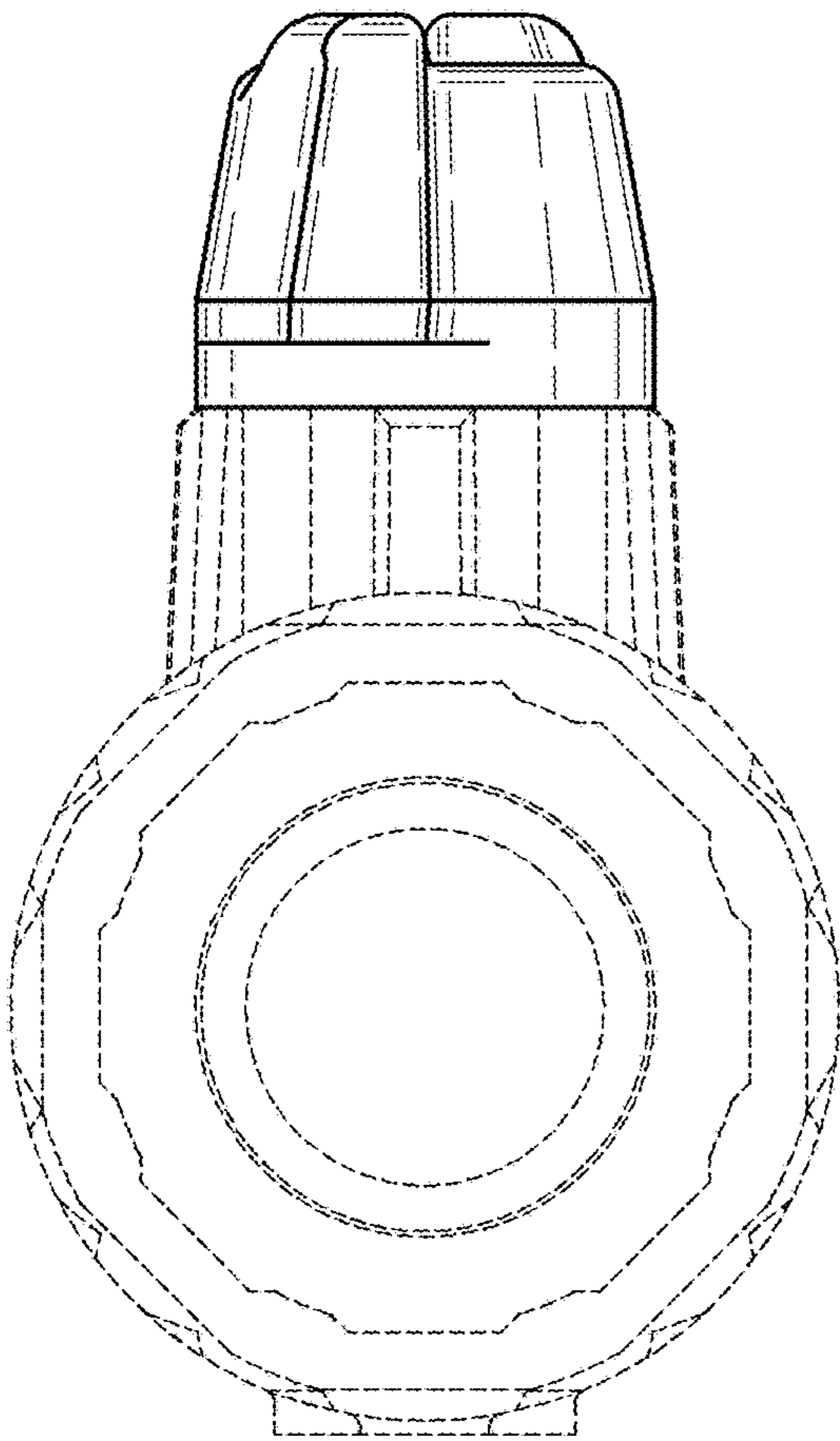


FIG. 5

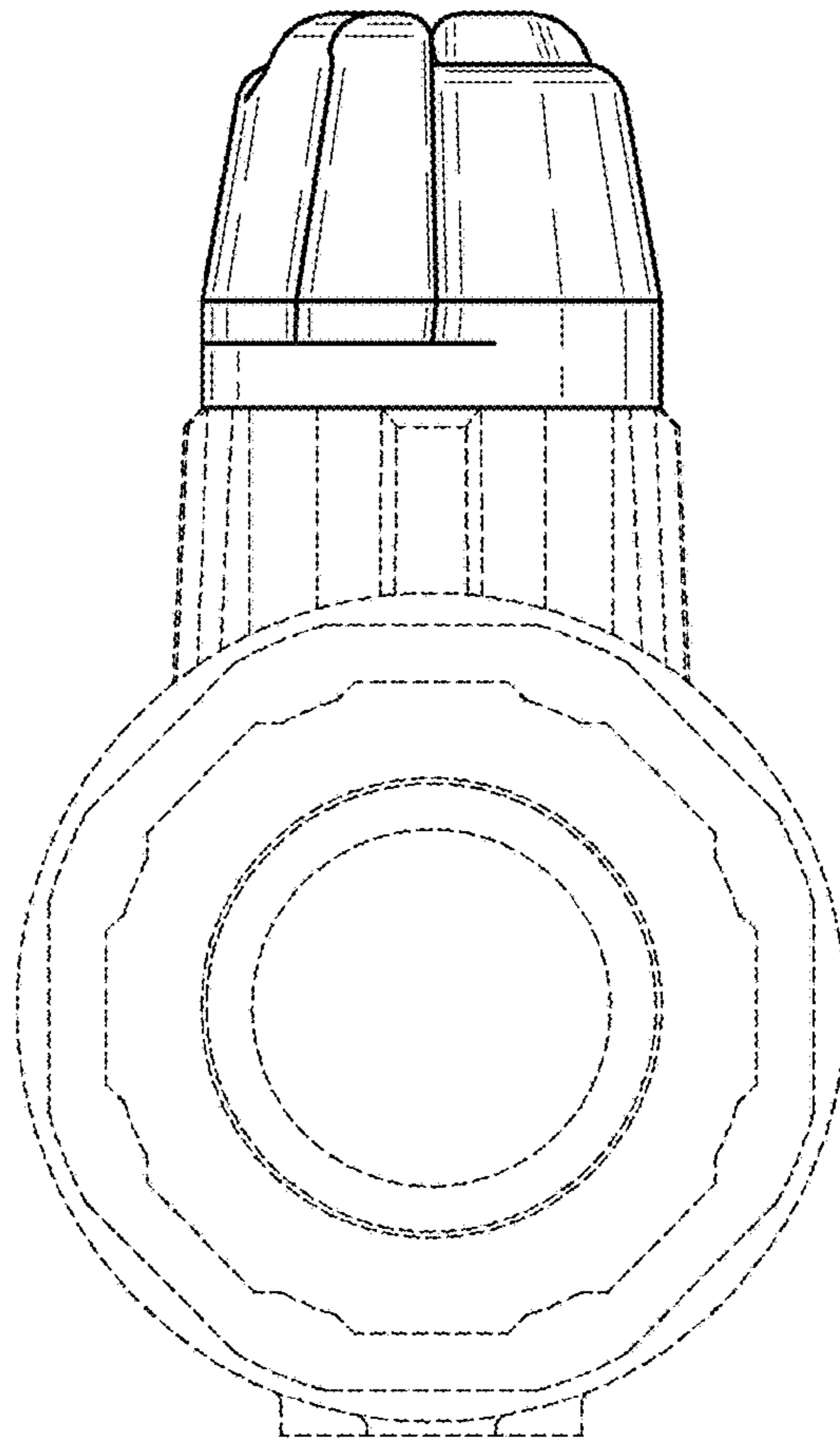


FIG. 6

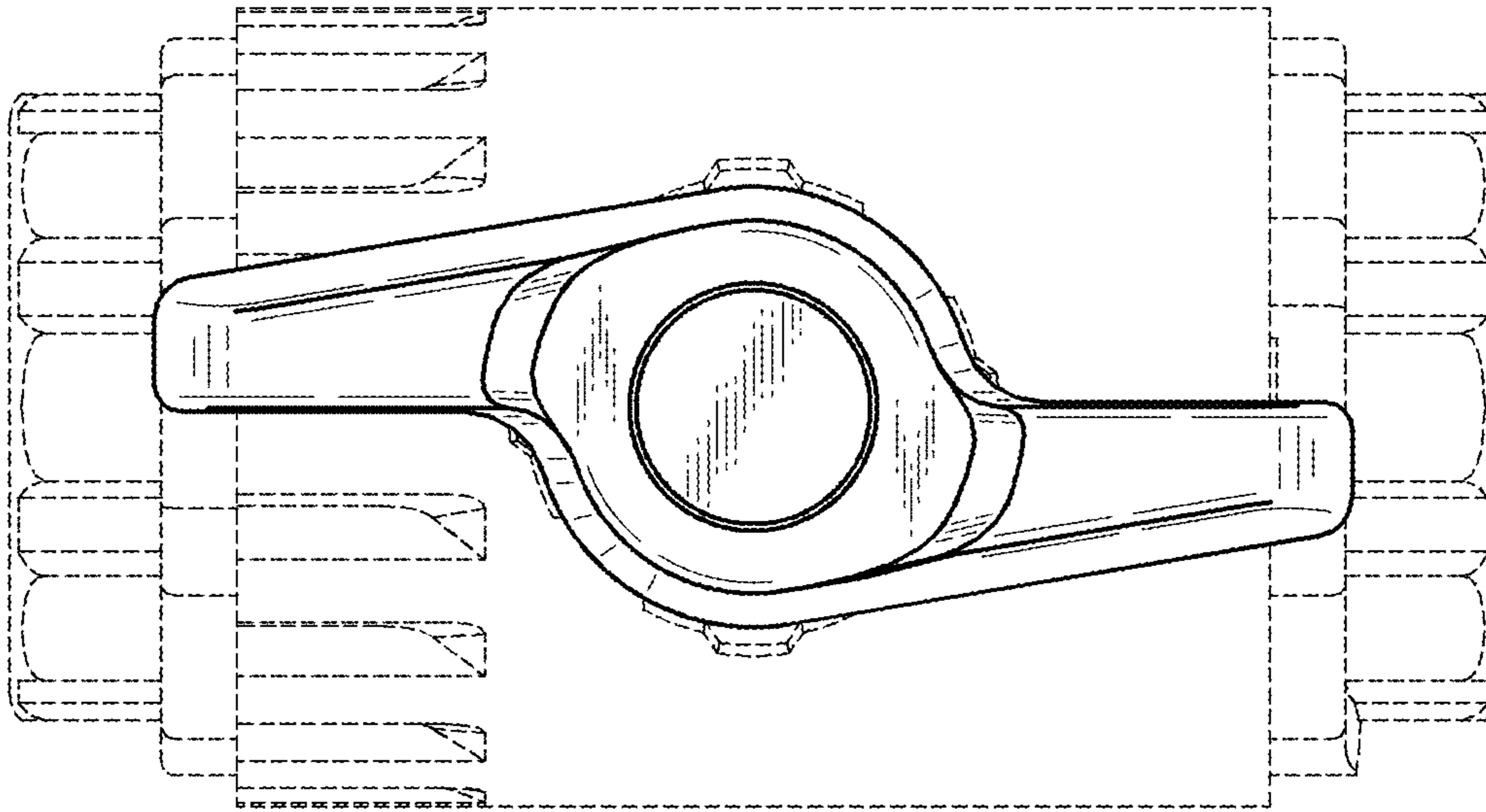


FIG. 7

