



US00D810878S

(12) **United States Design Patent**  
**Garland**

(10) **Patent No.:** **US D810,878 S**

(45) **Date of Patent:** **\*\* Feb. 20, 2018**

(54) **FAUCET**

CPC ..... Y10T 137/9464  
See application file for complete search history.

(71) Applicant: **DELTA FAUCET COMPANY,**  
Indianapolis, IN (US)

(56) **References Cited**

(72) Inventor: **Celine Kwok Garland,** Zionsville, IN  
(US)

U.S. PATENT DOCUMENTS

(73) Assignee: **DELTA FAUCET COMPANY,**  
Indianapolis, IN (US)

D685,883 S \* 7/2013 Romero ..... D23/255  
D694,369 S \* 11/2013 Mendoza ..... D23/242  
D754,298 S \* 4/2016 Garland ..... D23/242  
D791,920 S \* 7/2017 Fritz ..... D23/242  
D793,533 S \* 8/2017 Fritz ..... D23/242

(\*\*) Term: **15 Years**

\* cited by examiner

*Primary Examiner* — Robert A Delehanty

(21) Appl. No.: **29/579,701**

(74) *Attorney, Agent, or Firm* — Edgar A. Zarins; Nirav D. Parikh

(22) Filed: **Oct. 3, 2016**

(57) **CLAIM**

The ornamental design for a faucet, as shown and described.

(51) **LOC (11) Cl.** ..... **23-01**

**DESCRIPTION**

(52) **U.S. Cl.**

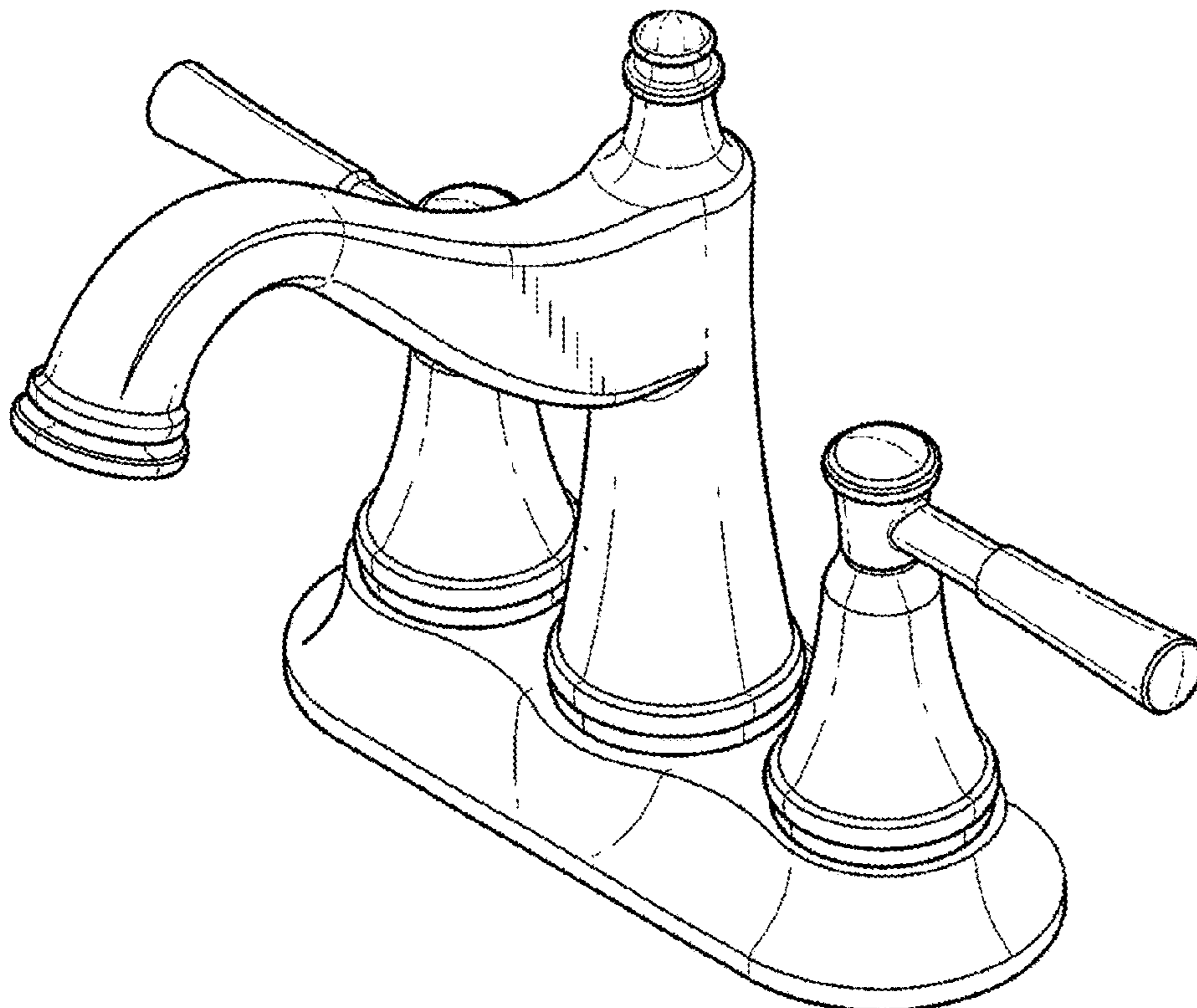
USPC ..... **D23/242**

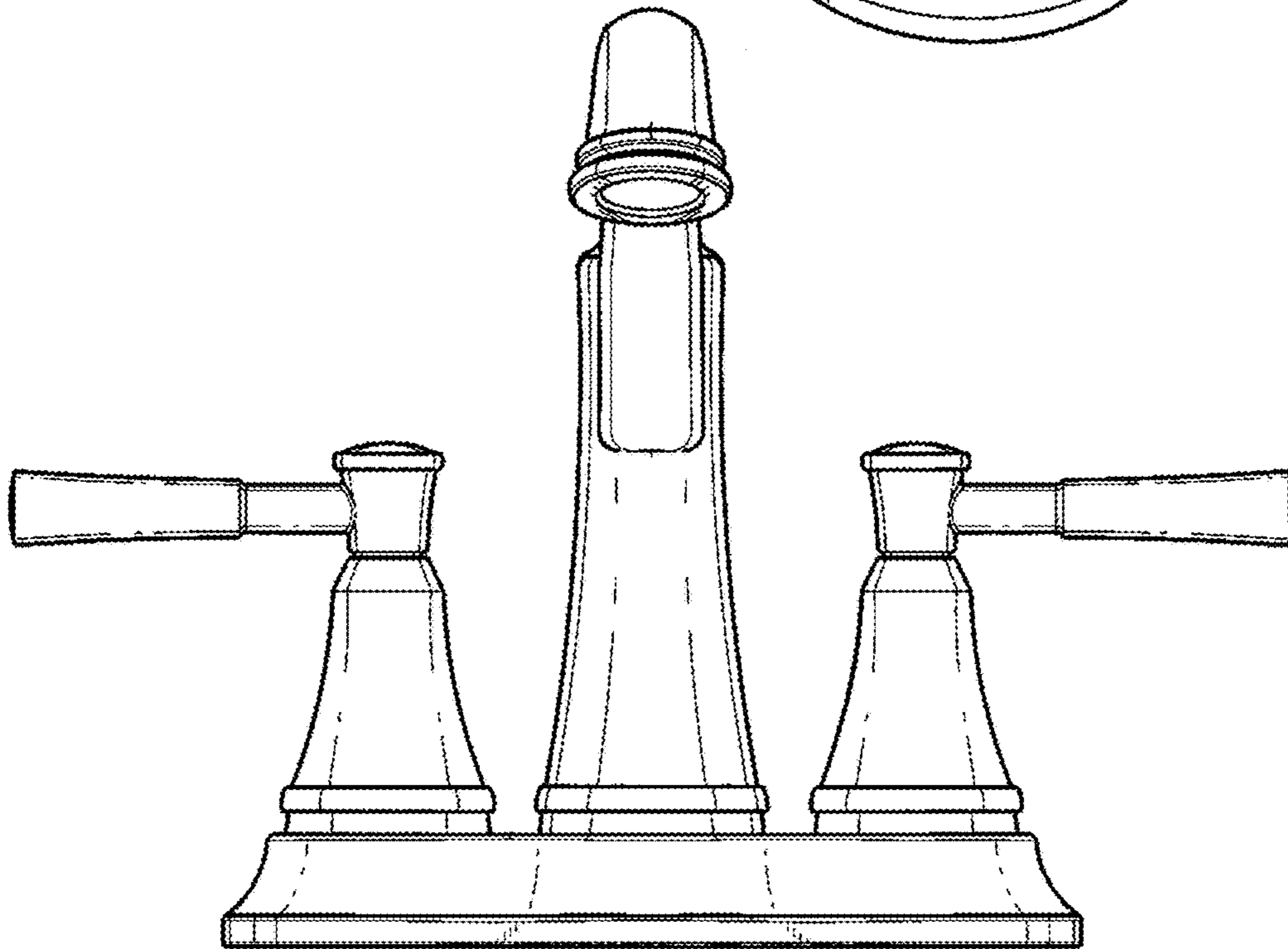
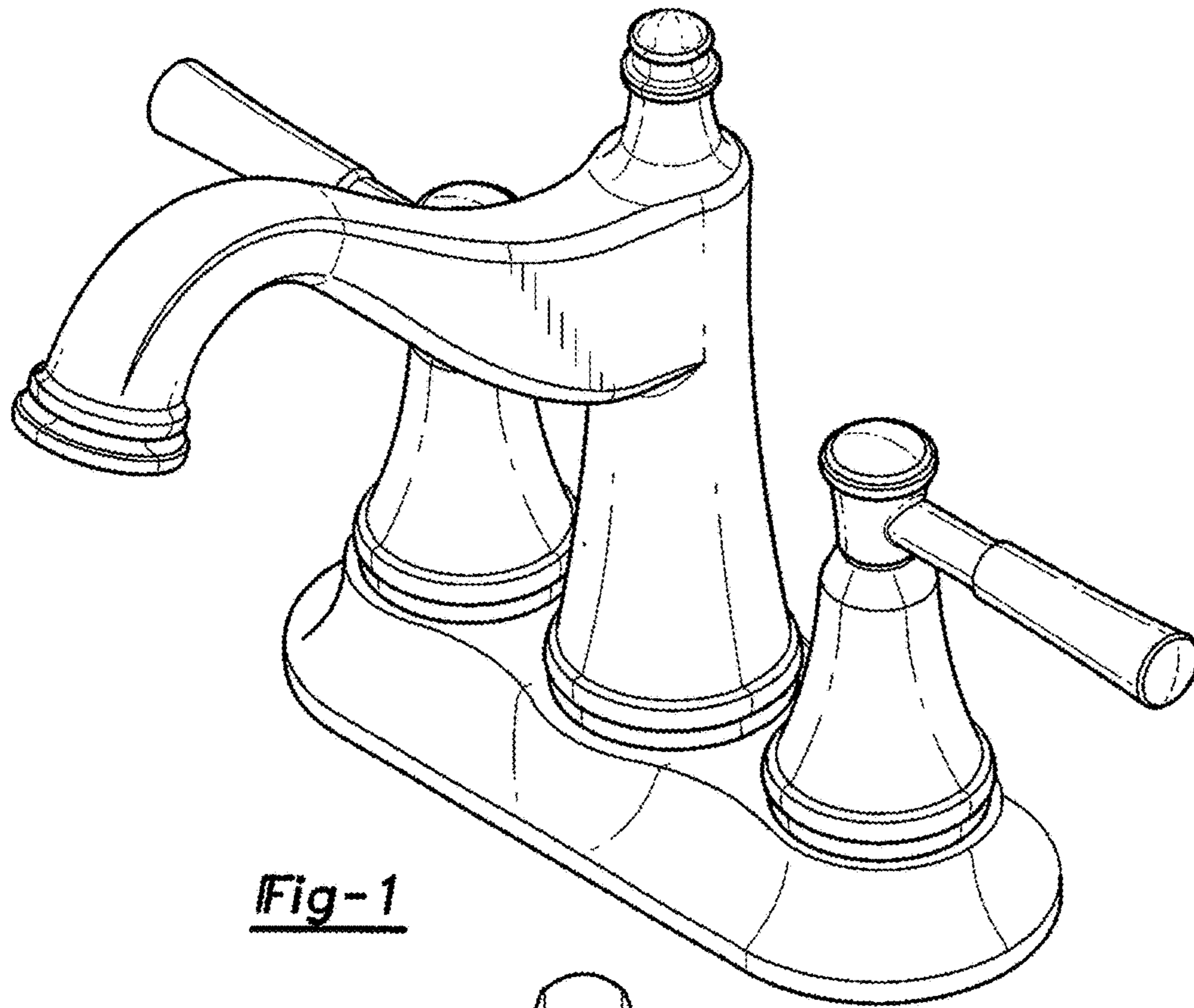
FIG. 1 is a perspective view of a faucet showing my new design;  
FIG. 2 is a front elevational view thereof;  
FIG. 3 is a rear view thereof;  
FIG. 4 is a left side view thereof, the opposite side being a mirror image of the side shown;  
FIG. 5 is a top plan view thereof; and,  
FIG. 6 is a bottom view thereof.

(58) **Field of Classification Search**

USPC ..... D23/238, 241–243, 249–250, 252,  
D23/254–255, 257, 245; D8/307–308

**1 Claim, 3 Drawing Sheets**





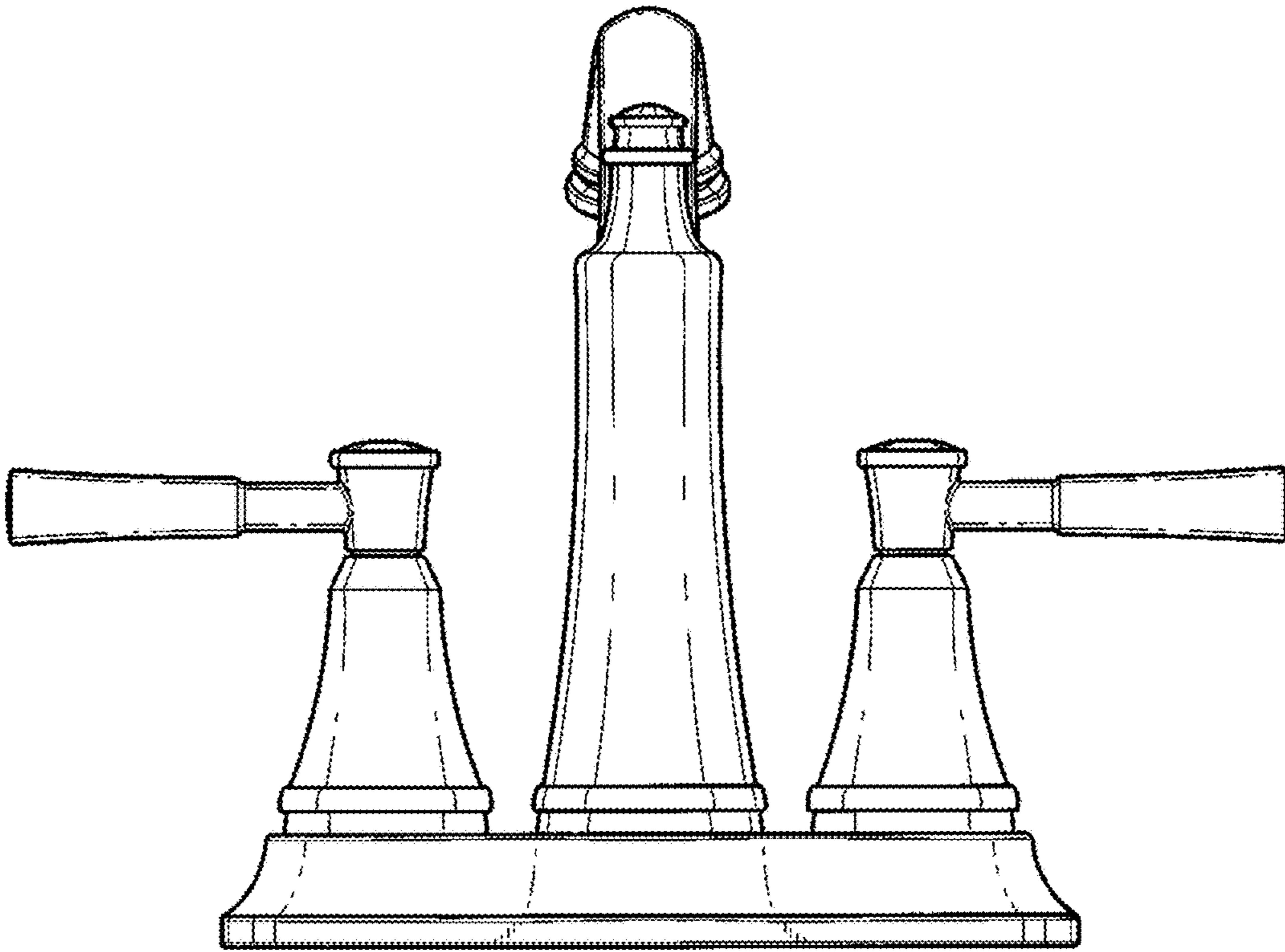


Fig-3

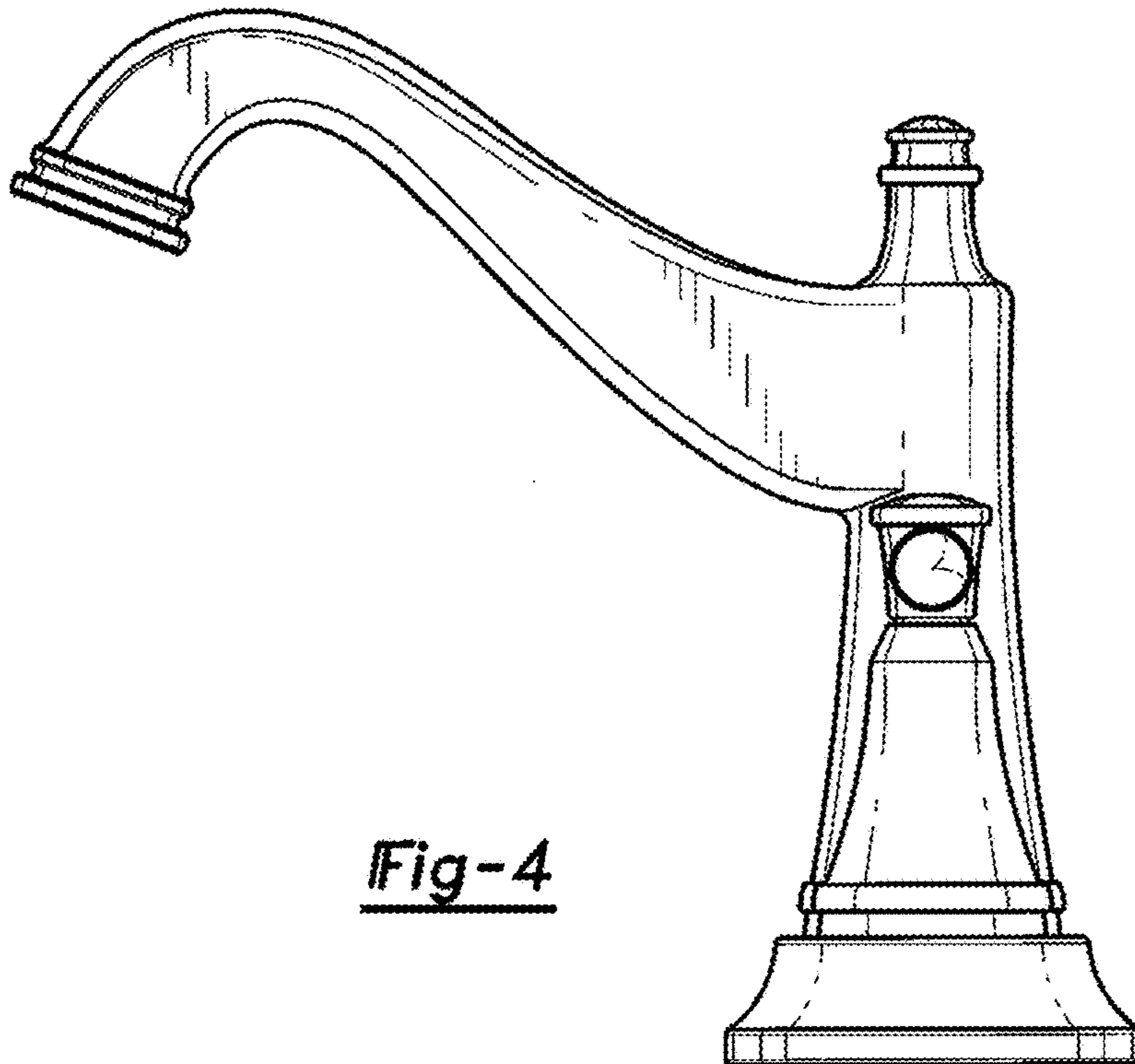


Fig-4

