



US00D810877S

(12) **United States Design Patent**
Schoenherr et al.

(10) **Patent No.:** **US D810,877 S**
(45) **Date of Patent:** **** Feb. 20, 2018**

(54) **FAUCET**

(71) Applicant: **HANSGROHE SE**, Schiltach (DE)

(72) Inventors: **Tom Schoenherr**, Stuttgart (DE);
Andreas Diefenbach,
Ludwigsburg-Oßweil (DE); **Yunwei**
Zhu, Stuttgart (DE)

(73) Assignee: **Hansgrohe SE**, Schiltach (DE)

(**) Term: **15 Years**

(21) Appl. No.: **29/586,859**

(22) Filed: **Dec. 7, 2016**

(30) **Foreign Application Priority Data**

Jun. 8, 2016 (EM) 003180363-0041

(51) **LOC (11) Cl.** **23-01**

(52) **U.S. Cl.**
USPC **D23/239**

(58) **Field of Classification Search**
USPC D23/238-239, 241-243, 249-250, 252,
D23/254-255, 257; D8/307-308
CPC Y10T 137/9464
See application file for complete search history.

(56) **References Cited**

U.S. PATENT DOCUMENTS

| | | | |
|--------------|--------|---------------|---------|
| D534,991 S * | 1/2007 | Sieger | D23/238 |
| D617,424 S * | 6/2010 | Hanna | D23/252 |
| D659,807 S * | 5/2012 | Flowers | D23/255 |
| D665,879 S * | 8/2012 | Flowers | D23/252 |
| D665,881 S * | 8/2012 | Flowers | D23/252 |

* cited by examiner

Primary Examiner — Robert A Delehanty

(74) *Attorney, Agent, or Firm* — Lora J. Graentzdoerffer

(57) **CLAIM**

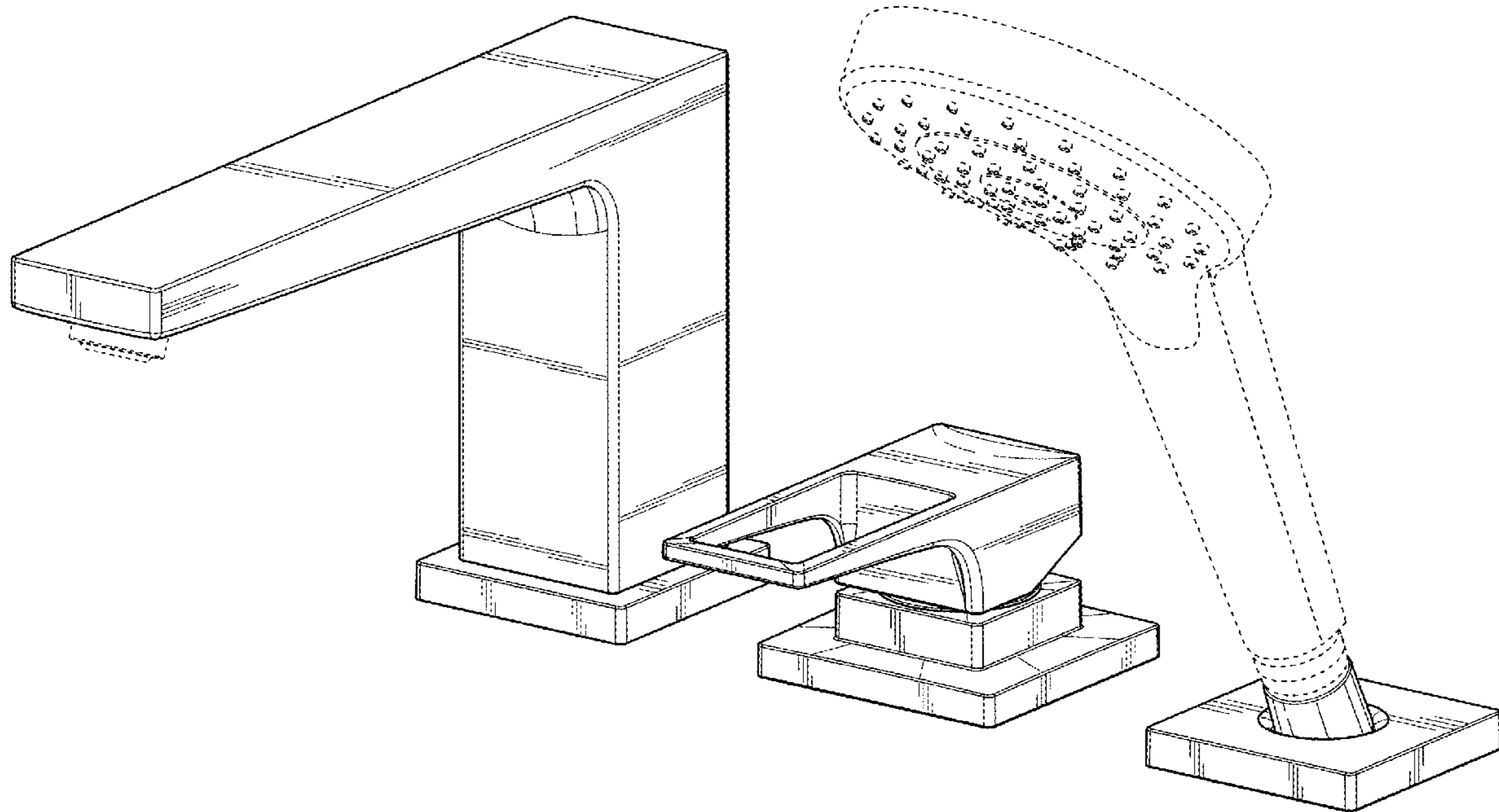
The ornamental design for a faucet, as shown and described.

DESCRIPTION

FIG. 1 is a perspective view of a faucet showing our design;
FIG. 2 is a front elevation view;
FIG. 3 is a rear elevation view;
FIG. 4 is a right side elevation view;
FIG. 5 is a left side elevation view;
FIG. 6 is a top plan view; and,
FIG. 7 is a bottom plan view.

The broken-line disclosure in the view represents a portion of the faucet in which the claimed design is embodied, but which forms no part of the claimed design.

1 Claim, 7 Drawing Sheets



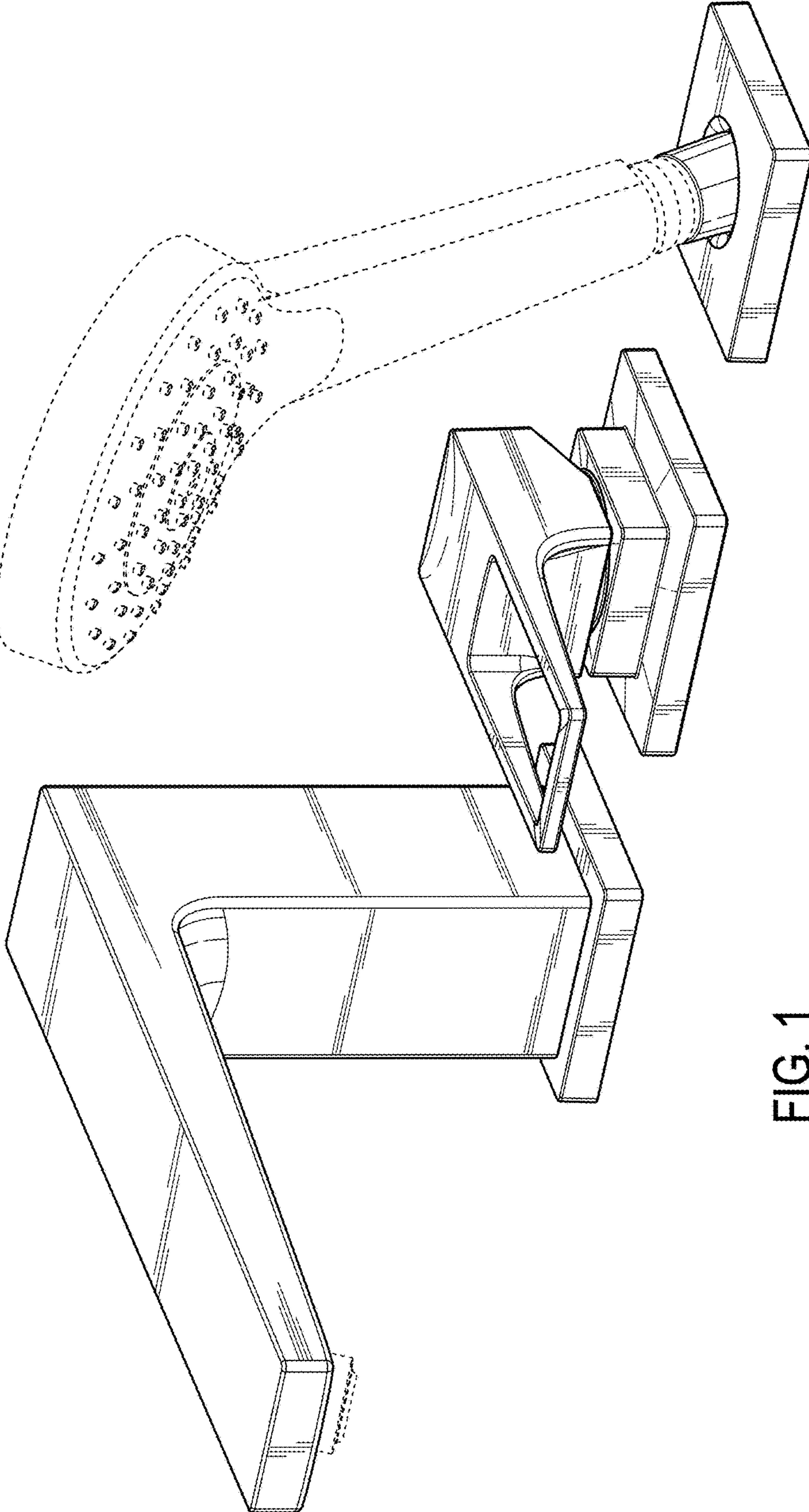


FIG. 1

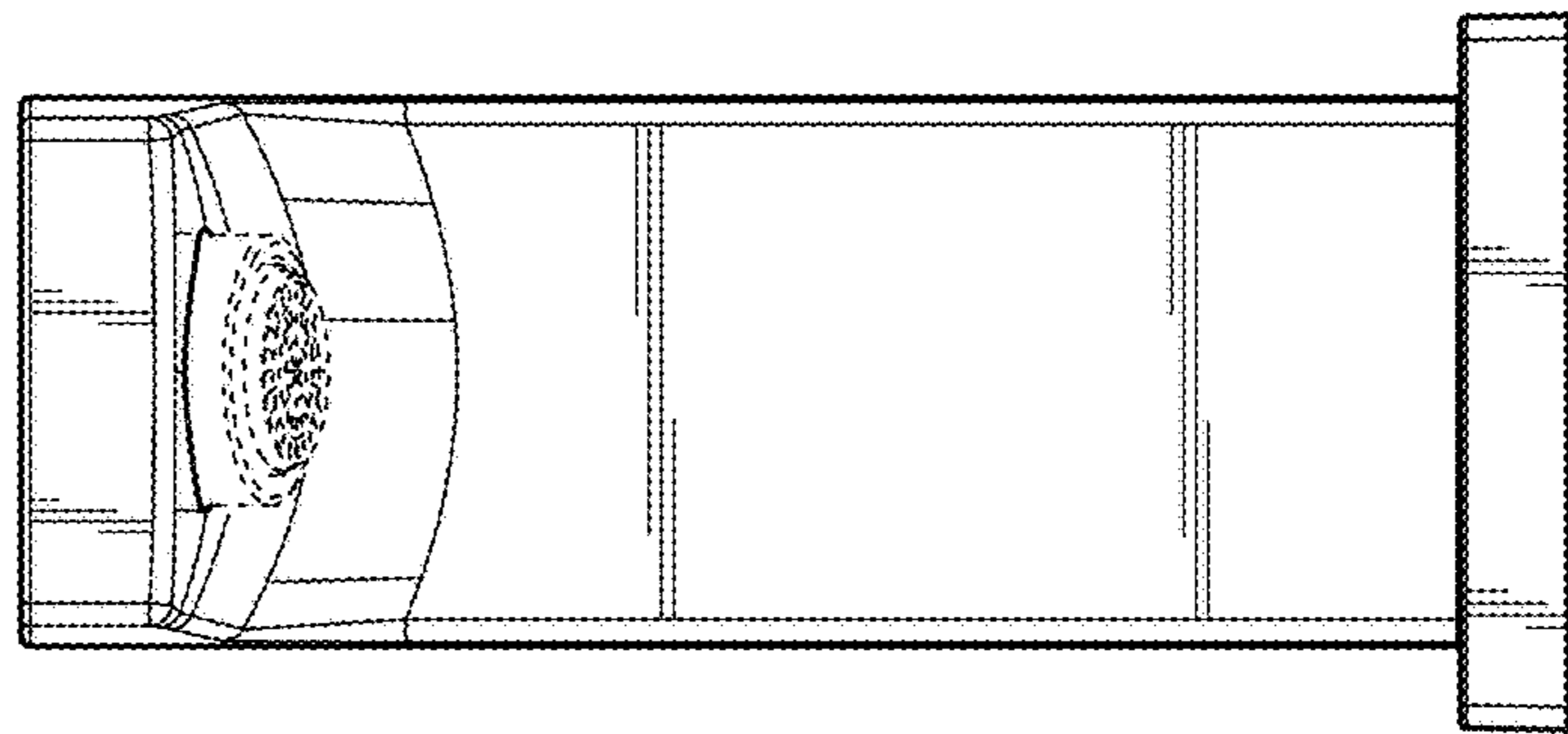
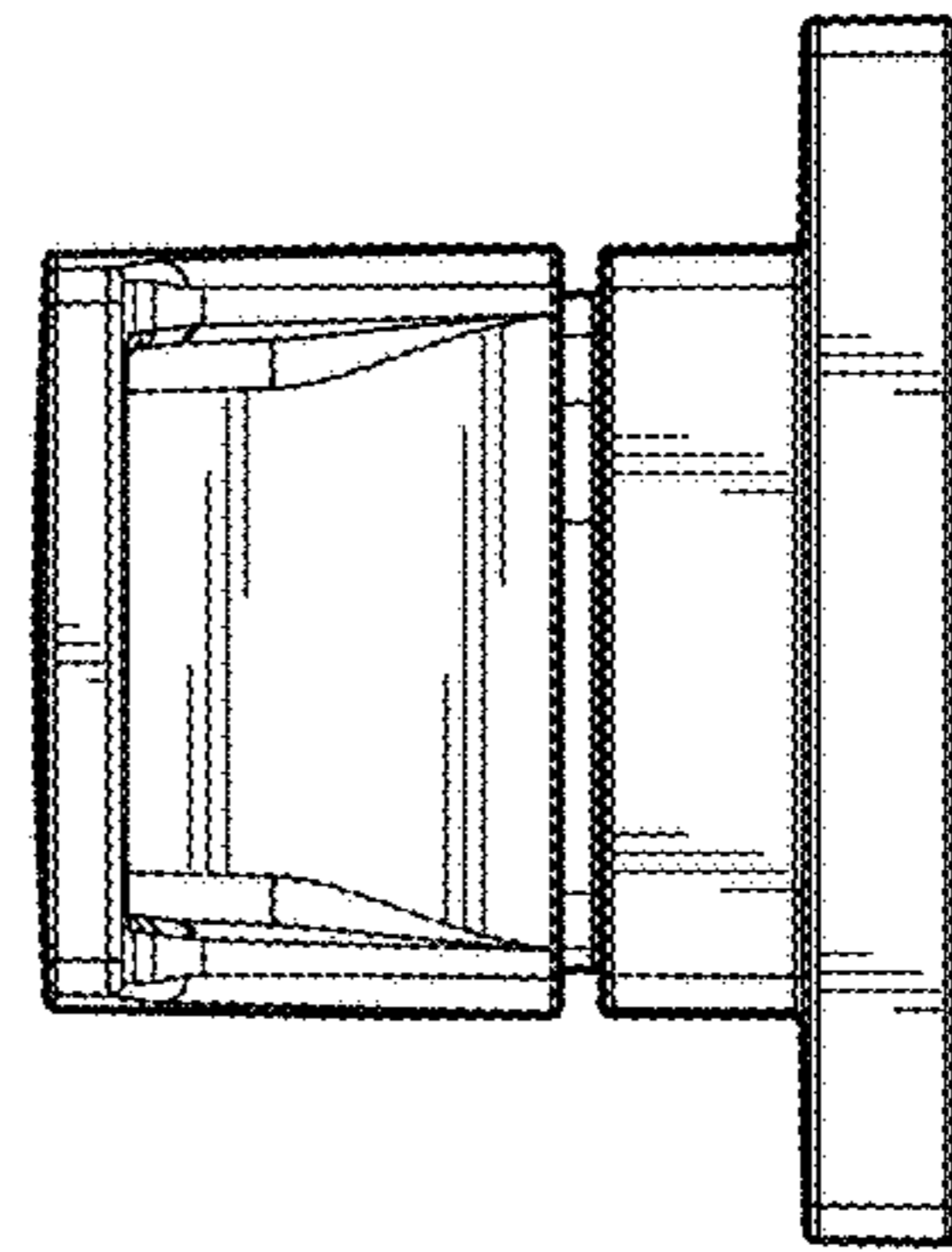
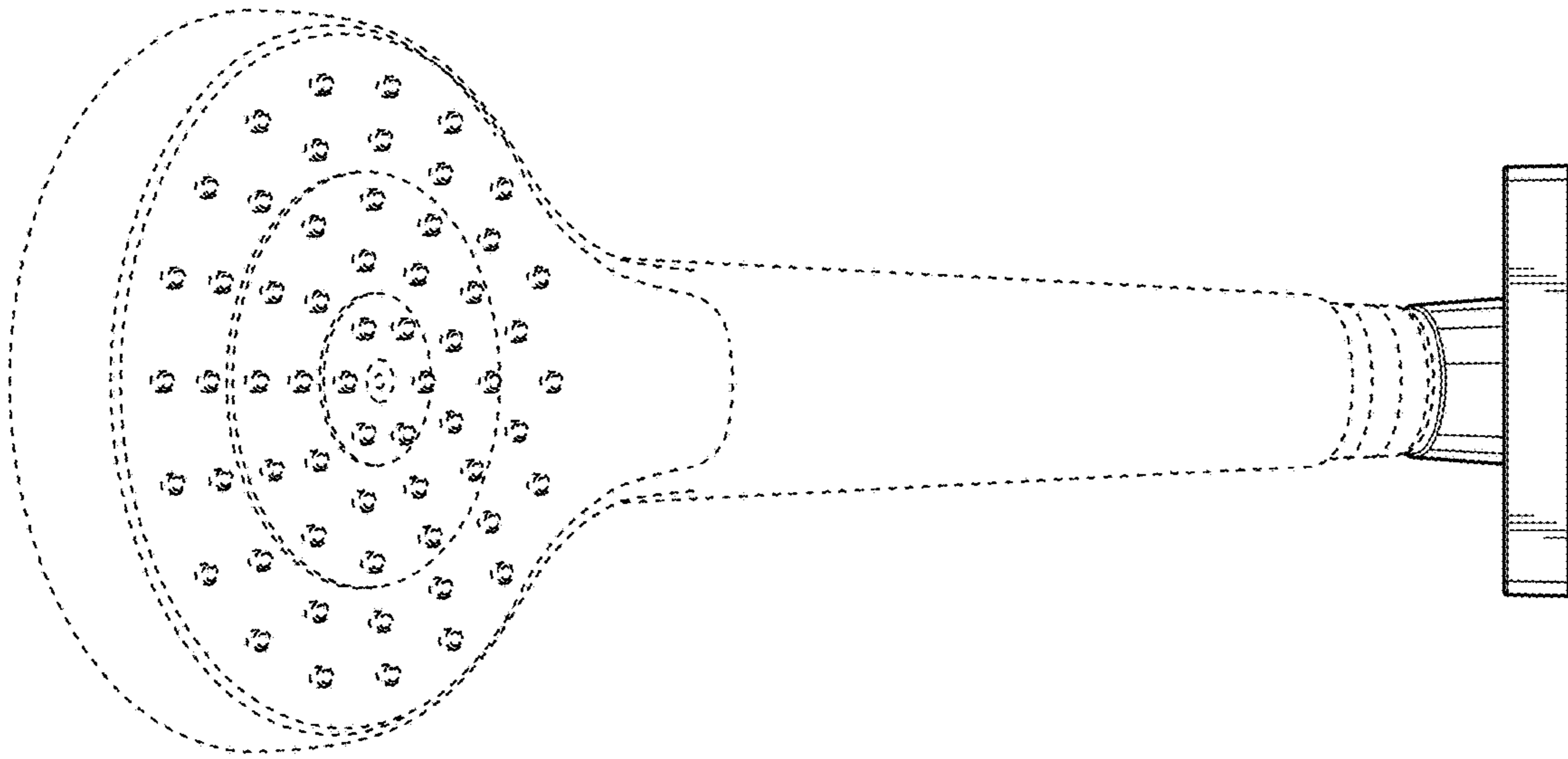
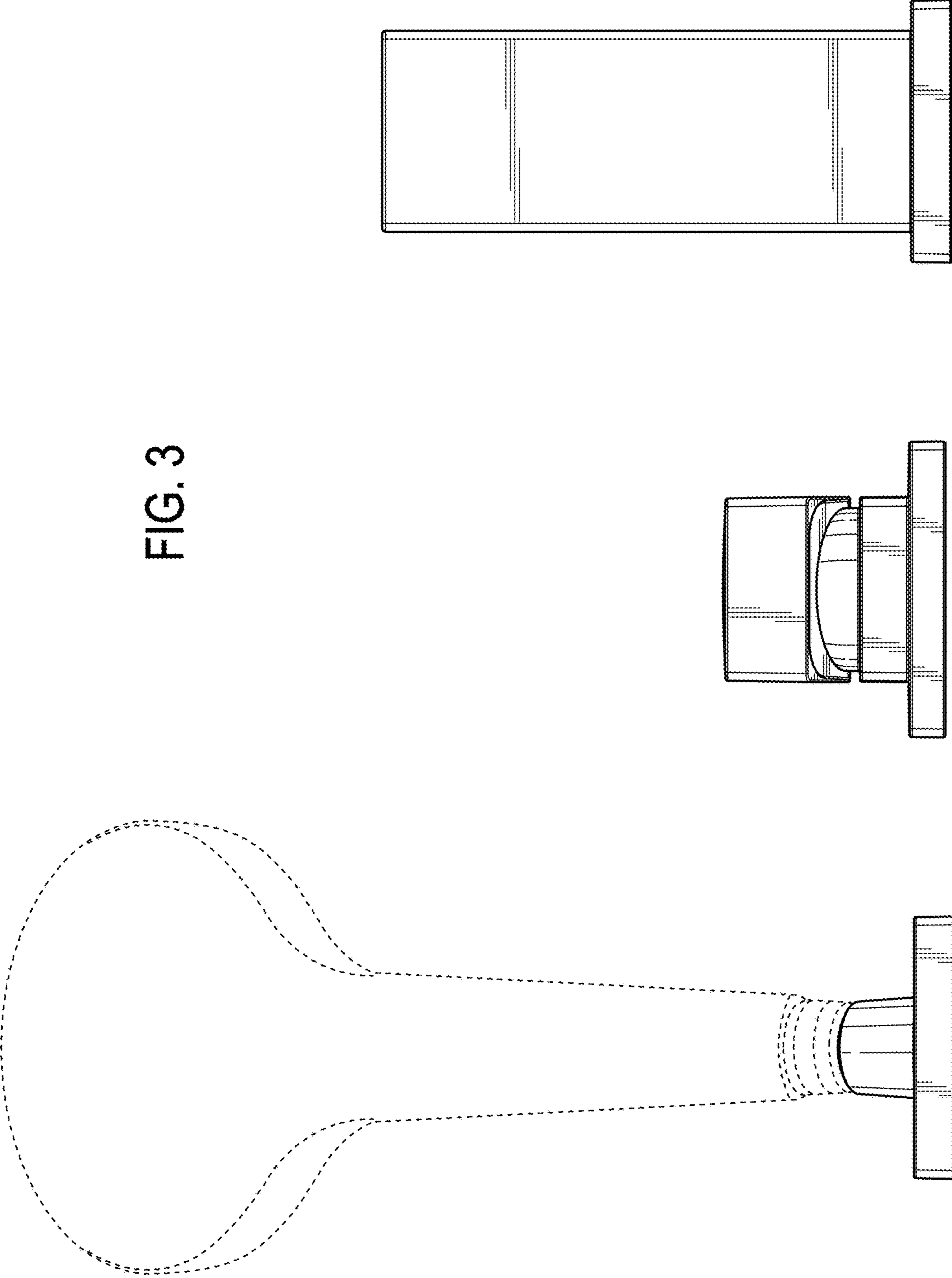


FIG. 2



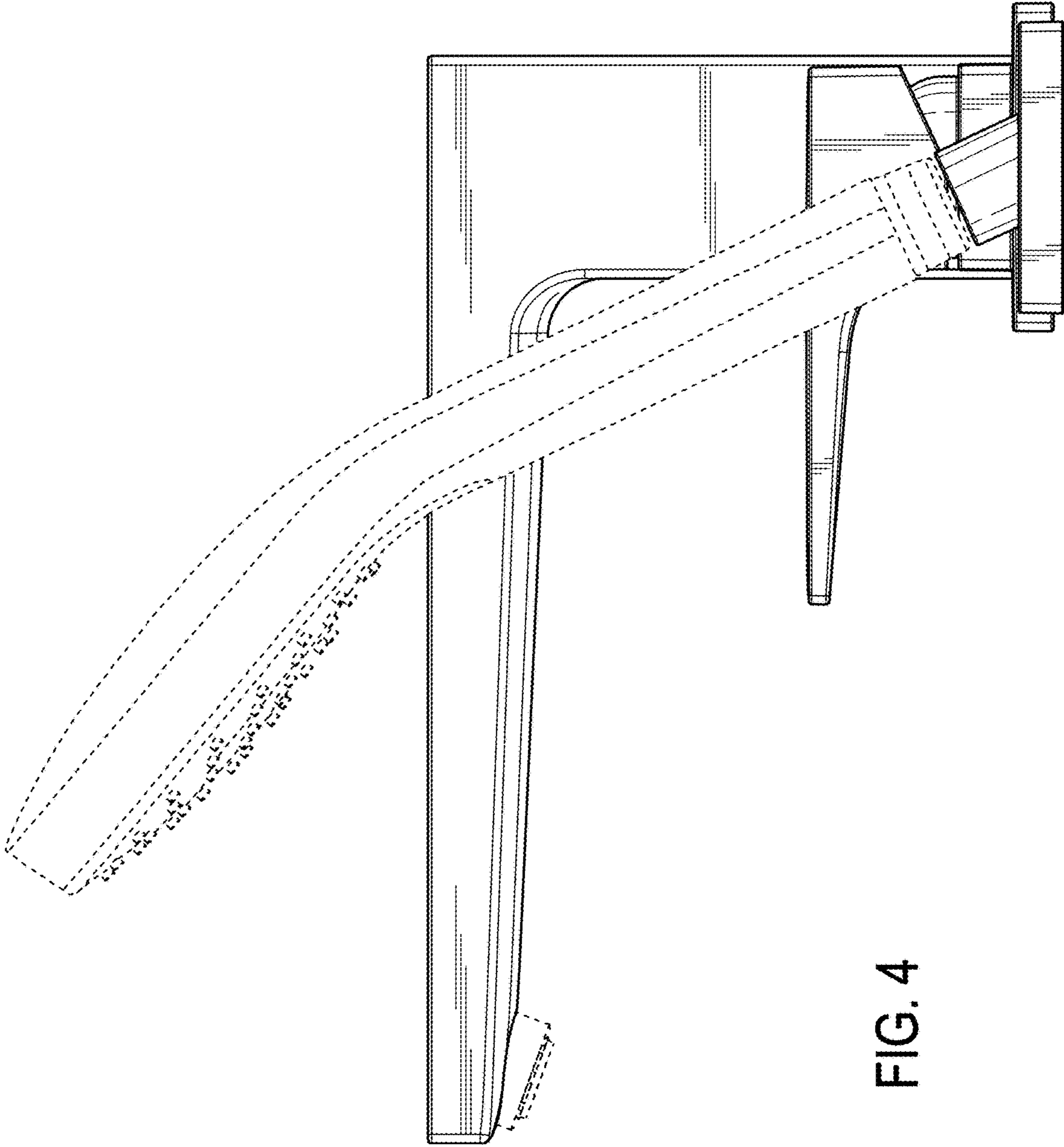


FIG. 4

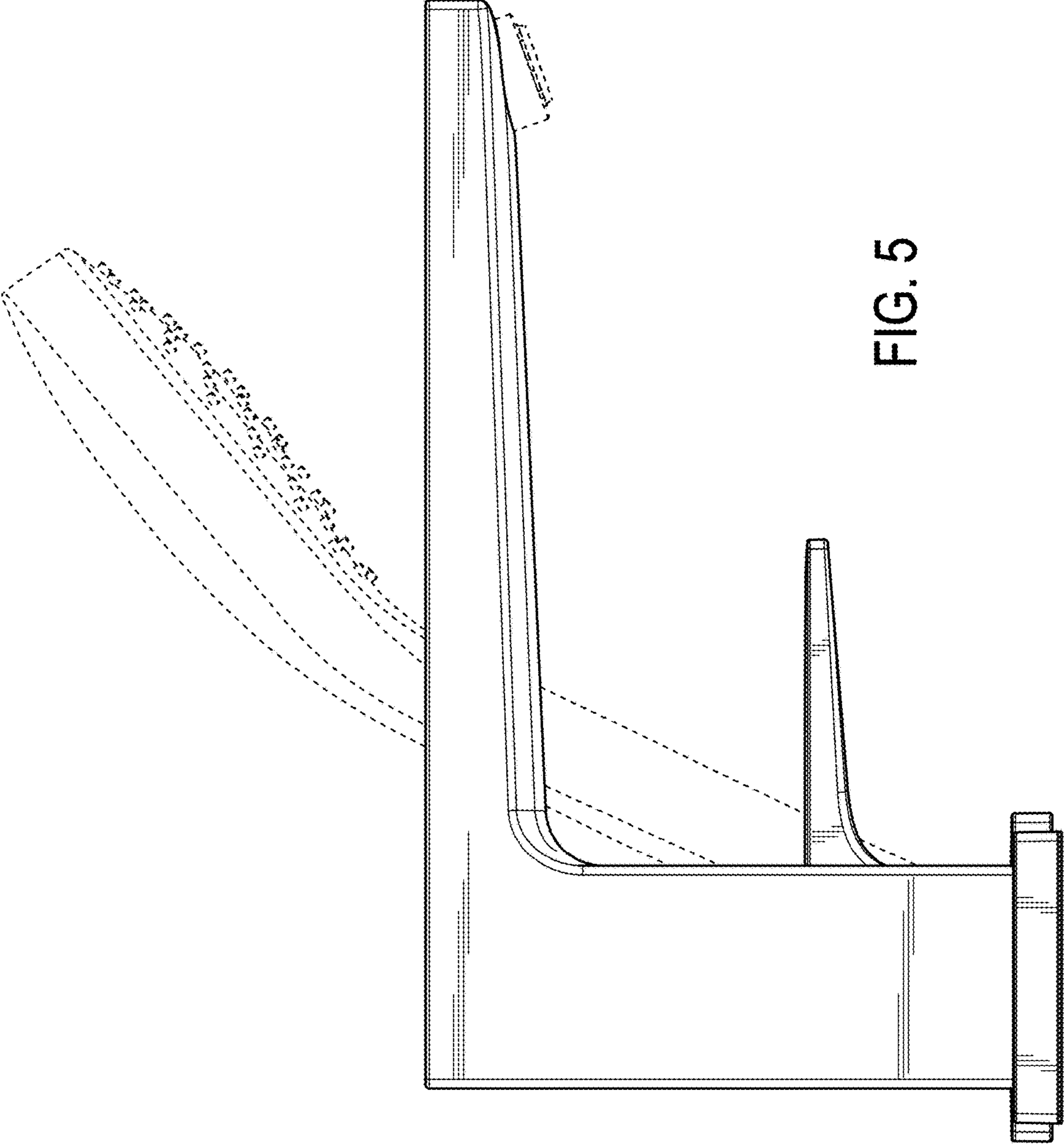


FIG. 5

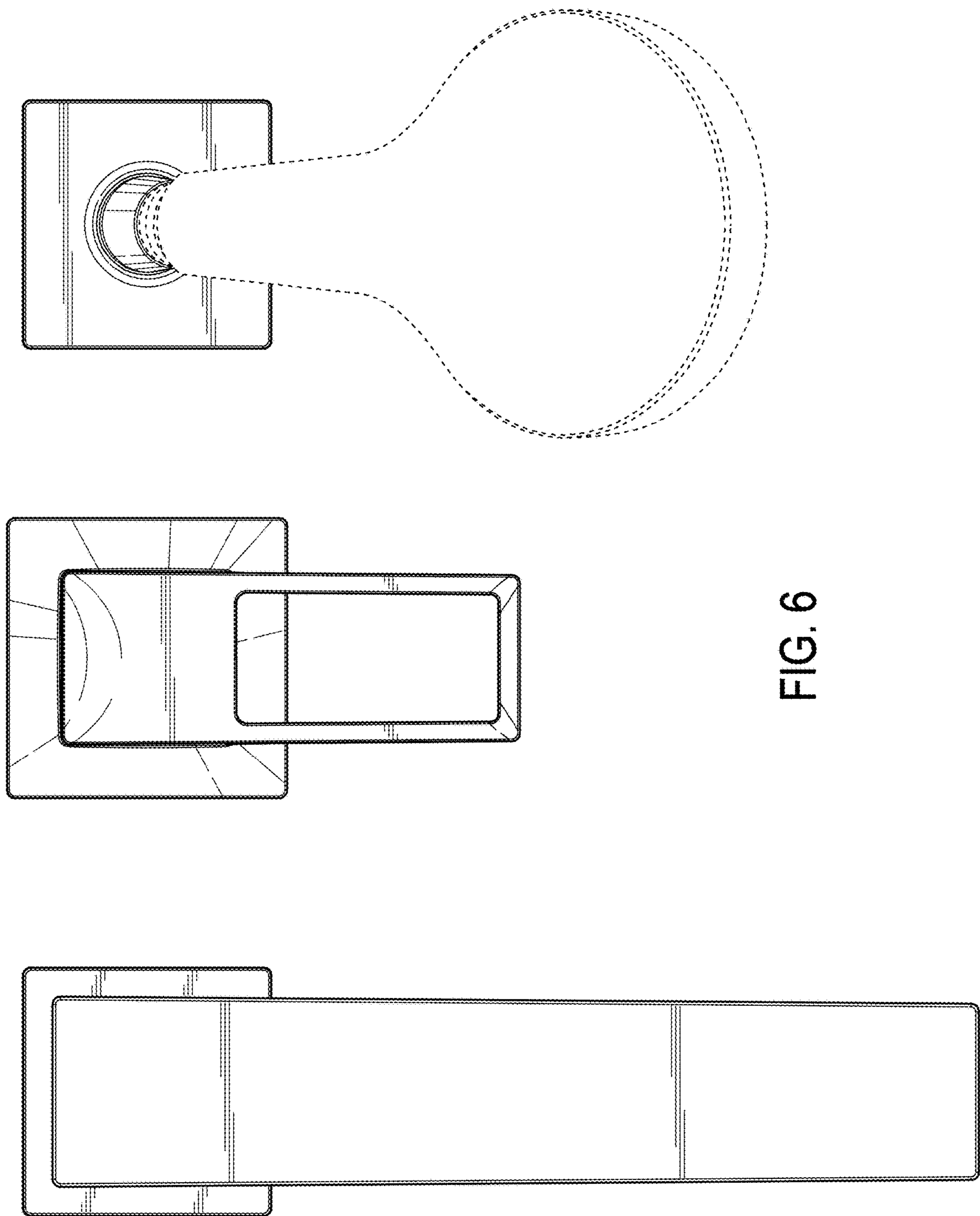


FIG. 6

FIG. 7

