



US00D810874S

(12) **United States Design Patent**
Bahler

(10) **Patent No.:** **US D810,874 S**

(45) **Date of Patent:** **** Feb. 20, 2018**

(54) **FAUCET**

(71) Applicant: **DELTA FAUCET COMPANY,**
Indianapolis, IN (US)

(72) Inventor: **Jordan Bahler,** Frankfort, IN (US)

(73) Assignee: **DELTA FAUCET COMPANY,**
Indianapolis, IN (US)

(**) Term: **15 Years**

(21) Appl. No.: **29/582,095**

(22) Filed: **Oct. 25, 2016**

(51) **LOC (11) Cl.** **23-01**

(52) **U.S. Cl.**
USPC **D23/238**

(58) **Field of Classification Search**
USPC D23/238, 241–243, 249–250, 252,
D23/254–255, 257, 245; D8/350,
D8/307–308
CPC Y10T 137/9464
See application file for complete search history.

(56) **References Cited**

U.S. PATENT DOCUMENTS

D527,799 S * 9/2006 Schaffeld D23/249
D610,653 S * 2/2010 Schoenherr D23/238

D635,441 S * 4/2011 Roberts, III D8/350
D653,730 S * 2/2012 Bailey D23/238
D674,882 S * 1/2013 Kwok D23/252
D683,822 S * 6/2013 Kwok D23/238
D686,300 S * 7/2013 Fritz D23/238
D688,353 S * 8/2013 Flowers D23/253
D757,908 S * 5/2016 Fritz D23/252
D793,538 S * 8/2017 Fritz D23/252

* cited by examiner

Primary Examiner — Robert A Delehanty

(74) *Attorney, Agent, or Firm* — Edgar A. Zarins; Nirav D. Parikh

(57) **CLAIM**

The ornamental design for a faucet, as shown and described.

DESCRIPTION

FIG. 1 is a perspective view of a faucet showing my new design;

FIG. 2 is a top plan view thereof;

FIG. 3 is a bottom view thereof;

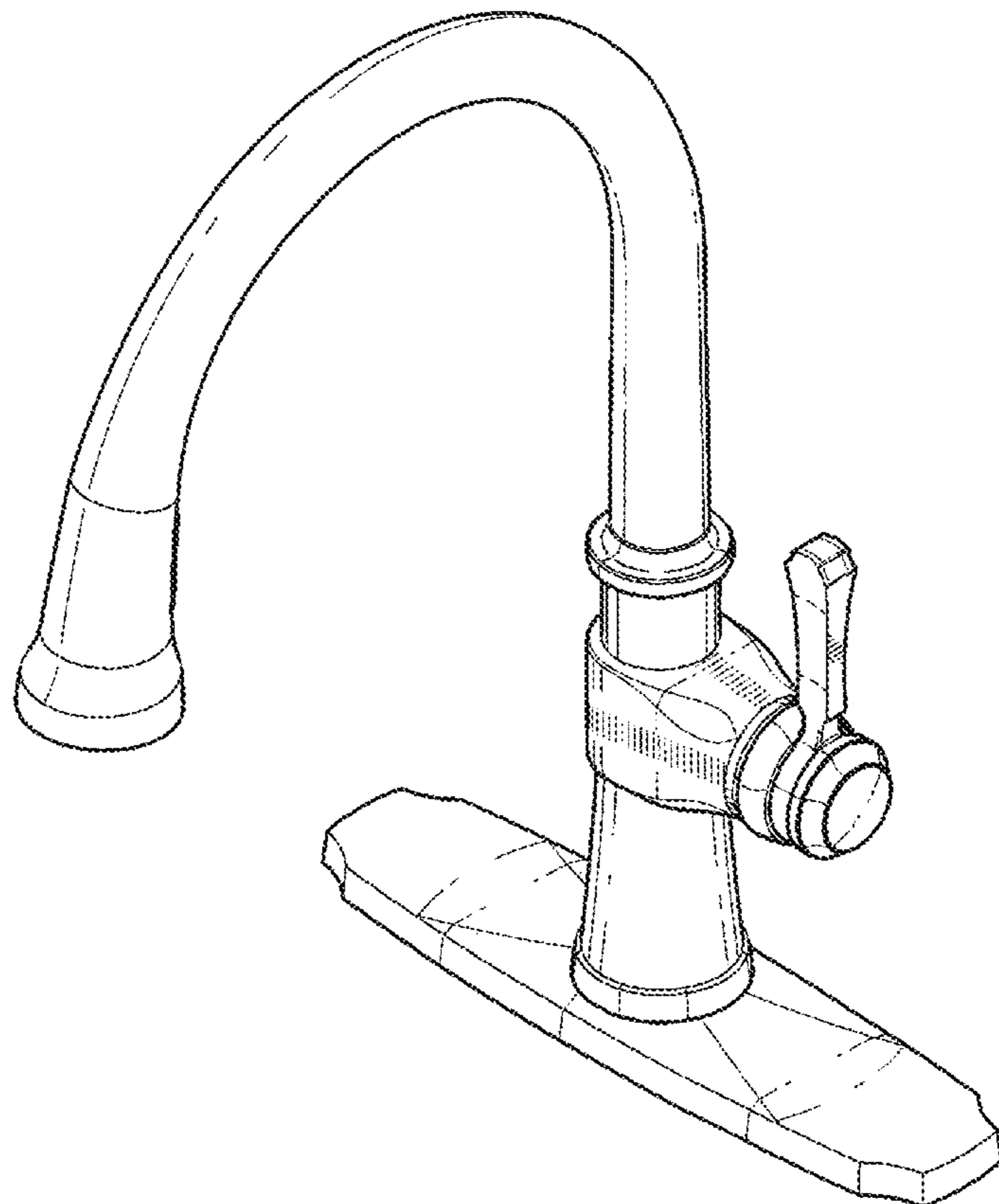
FIG. 4 is a left side view thereof;

FIG. 5 is a right side view thereof;

FIG. 6 is a front elevational view thereof; and,

FIG. 7 is a rear view thereof.

1 Claim, 5 Drawing Sheets



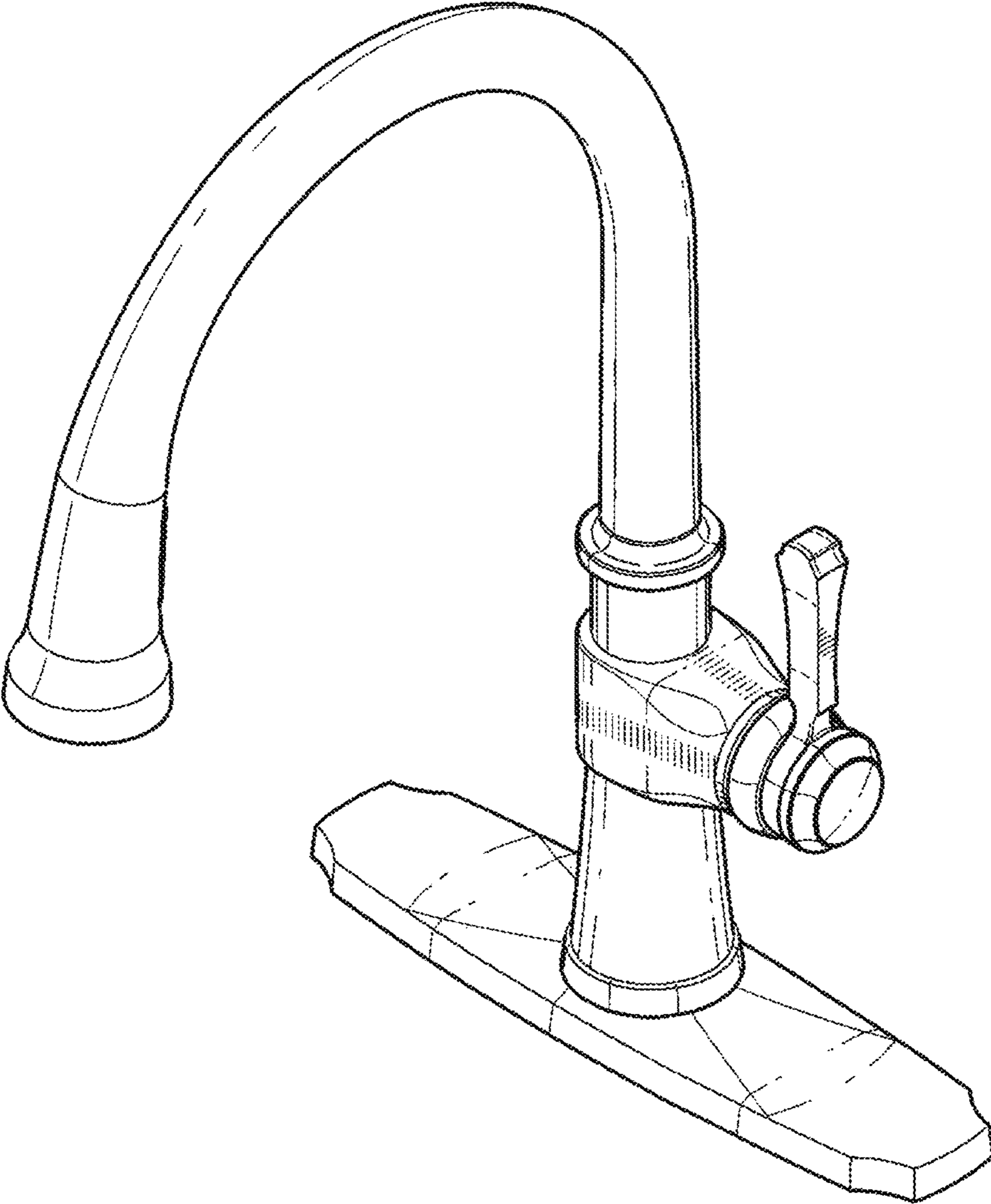


Fig-1

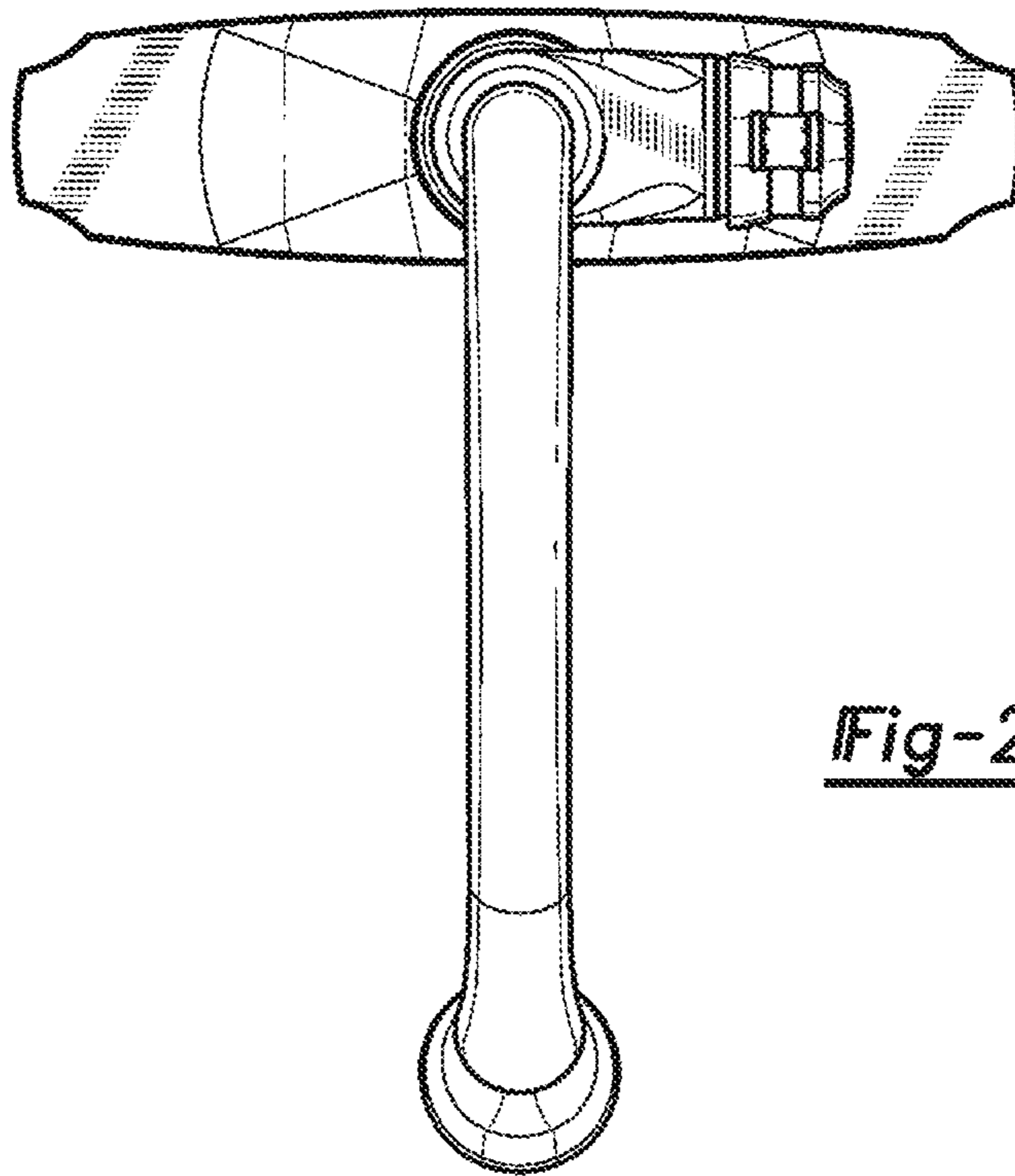


Fig-2

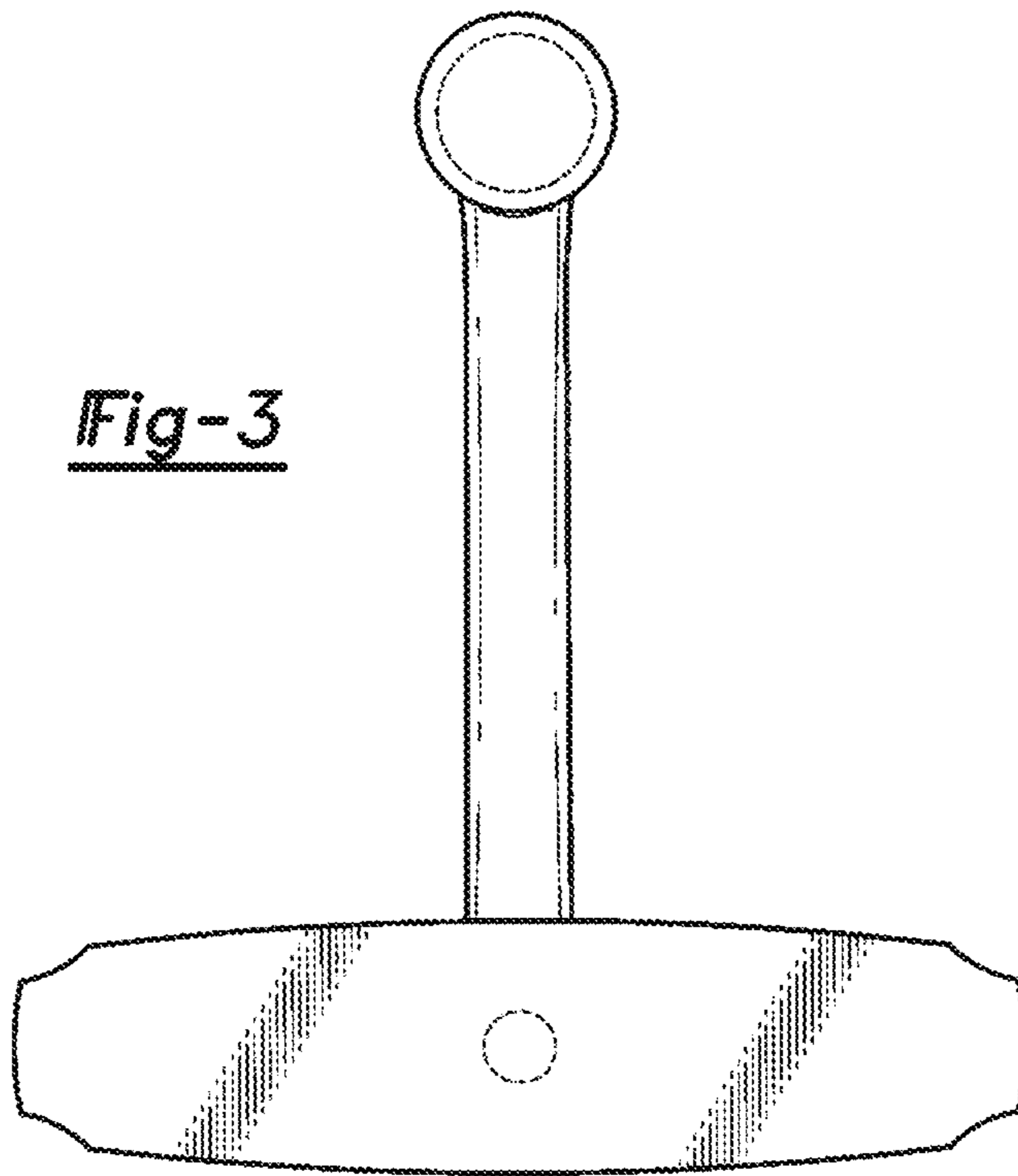


Fig-3

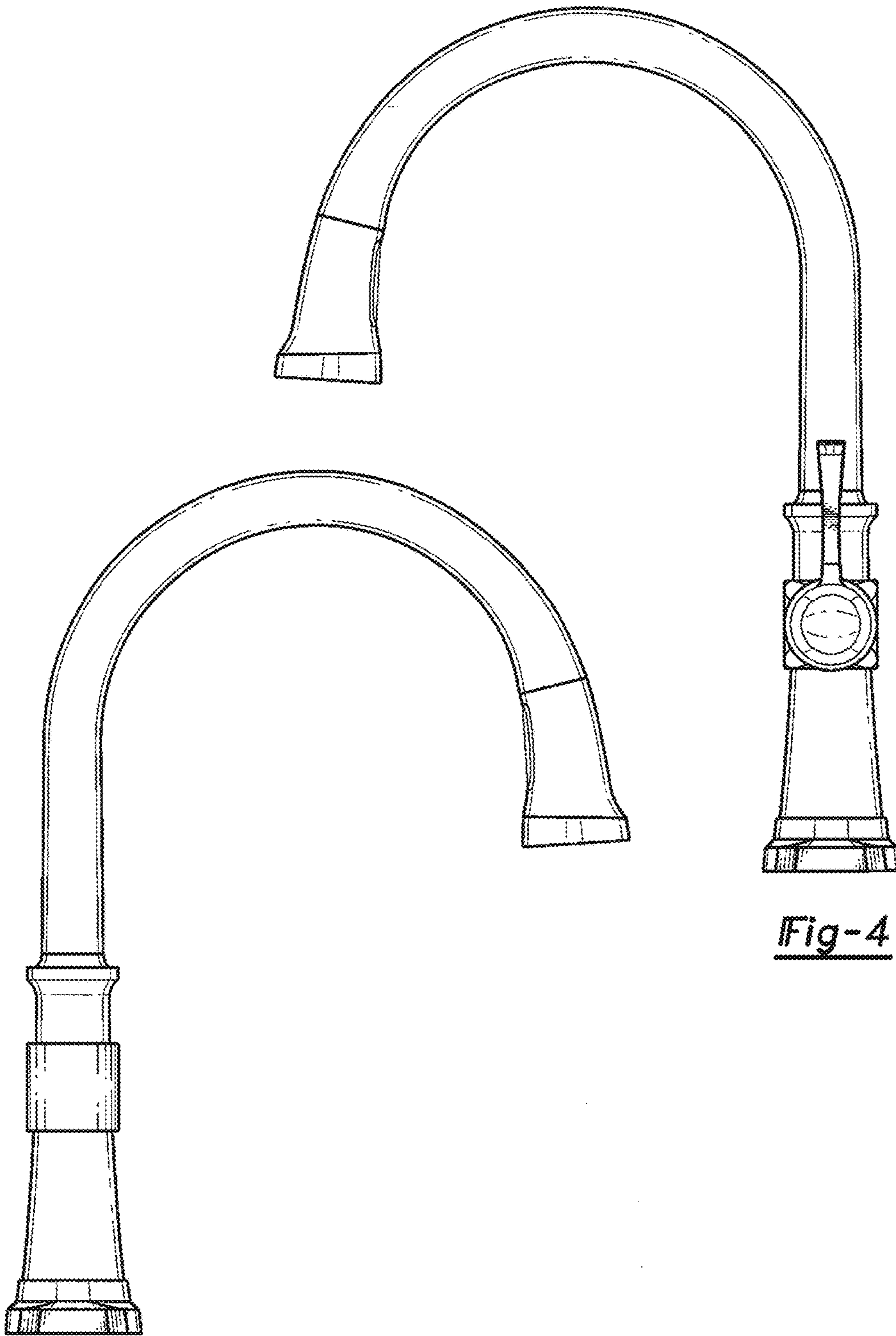


Fig-5

Fig-4

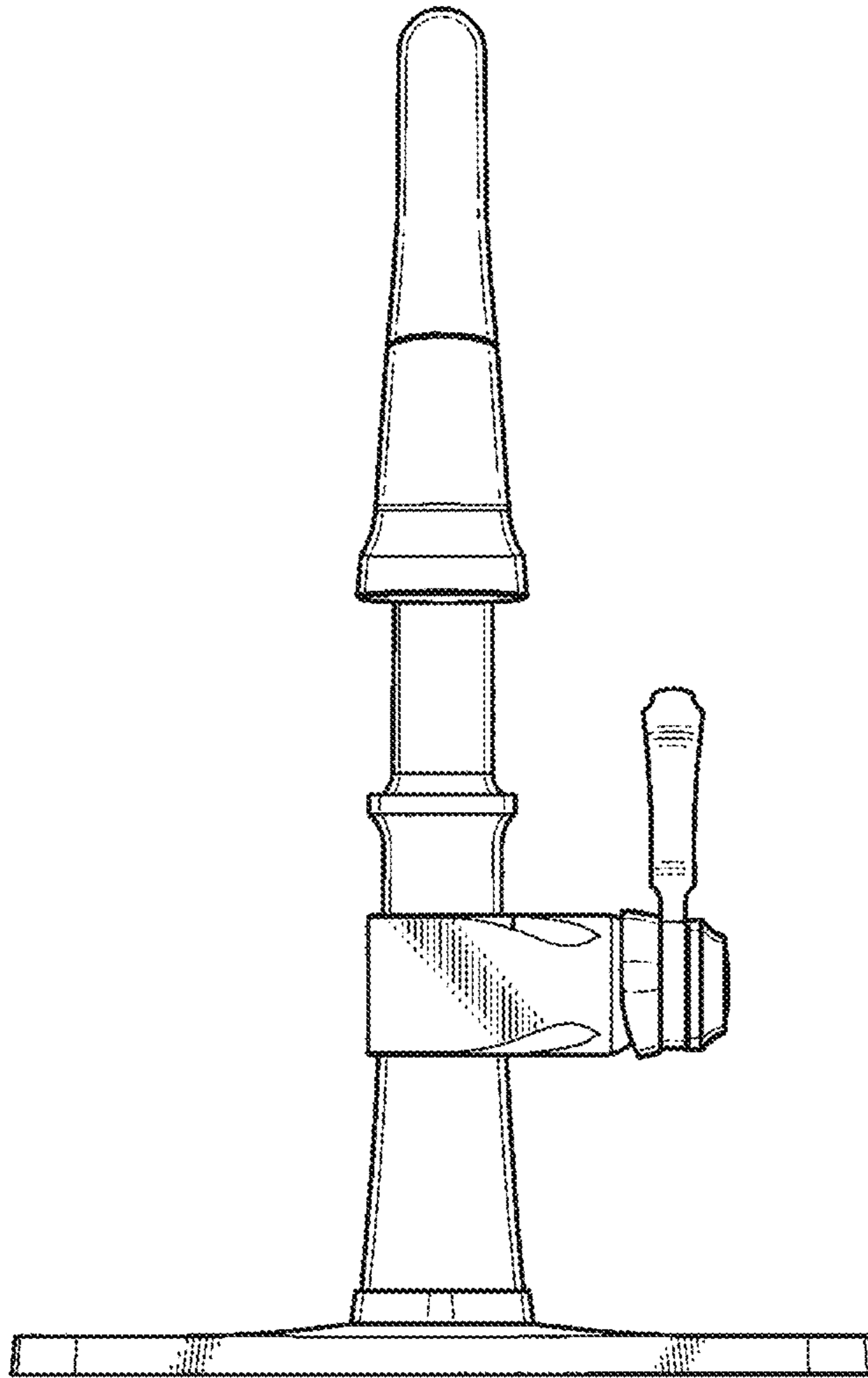


Fig-6

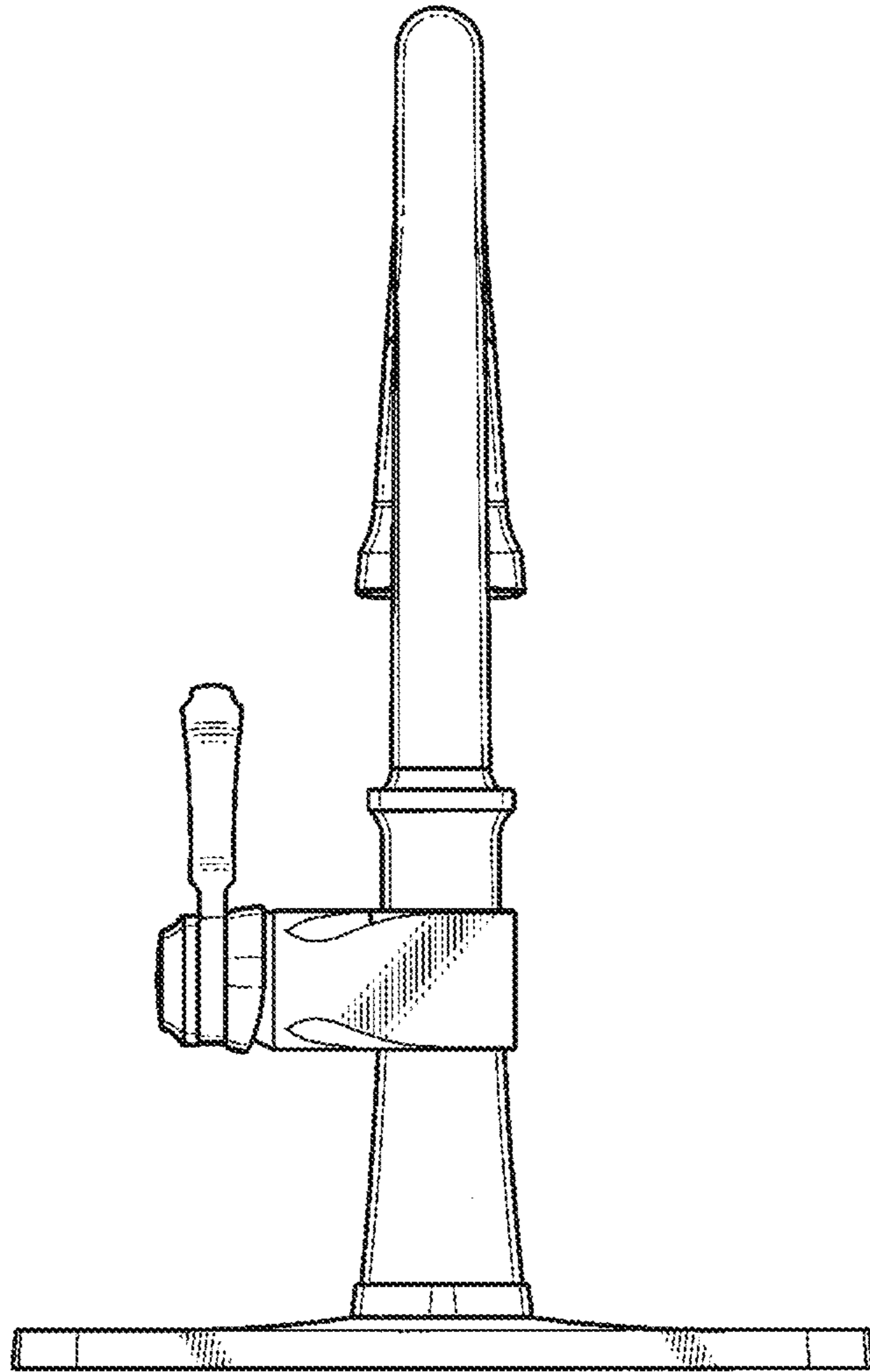


Fig-7