



US00D810873S

(12) **United States Design Patent**
Yoshida et al.

(10) **Patent No.:** **US D810,873 S**

(45) **Date of Patent:** **** Feb. 20, 2018**

(54) **MANIFOLD BASE FOR
ELECTROMAGNETIC VALVE**

D689,984 S * 9/2013 Miyazoe D23/233
D690,392 S * 9/2013 Miyazoe D23/233

(71) Applicant: **SMC CORPORATION**, Chiyoda-ku
(JP)

* cited by examiner

(72) Inventors: **Masaru Yoshida**, Ushiku (JP); **Shinichi
Yoshimura**, Moriya (JP); **Shinji
Miyazoe**, Moriya (JP)

Primary Examiner — Cynthia Ramirez

Assistant Examiner — Gino Colan

(74) *Attorney, Agent, or Firm* — Oblon, McClelland,
Maier & Neustadt, L.L.P.

(73) Assignee: **SMC CORPORATION**, Chiyoda-ku
(JP)

(**) Term: **15 Years**

(57) **CLAIM**

(21) Appl. No.: **29/598,887**

The ornamental design for a manifold base for electromag-
netic valve, as shown and described.

(22) Filed: **Mar. 29, 2017**

(30) **Foreign Application Priority Data**

DESCRIPTION

Oct. 12, 2016 (JP) 2016-022123

(51) **LOC (11) Cl.** **23-01**

(52) **U.S. Cl.**
USPC **D23/233**

(58) **Field of Classification Search**
USPC D23/233, 235, 237, 241, 247, 248, 249;
D15/5, 143, 1, 199; 251/129.01, 129.15,
251/129.2; 137/554, 861, 882, 884,
137/625.64, 487.5
CPC F16K 31/0675; F16K 27/029; F16K 31/06;
F16K 31/082; F16K 27/048
See application file for complete search history.

FIG. 1 is a front, top, and right side perspective view of a
manifold base for electromagnetic valve showing our new
design;

FIG. 2 is a rear, bottom, and right side perspective view
thereof;

FIG. 3 is a front elevational view thereof, the rear elevational
view being a mirror image of the front elevational view;

FIG. 4 is a left side elevational view thereof, the right side
elevational view being a mirror image of the left side
elevational view;

FIG. 5 is a top plan view thereof; and,

FIG. 6 is a bottom plan view thereof.

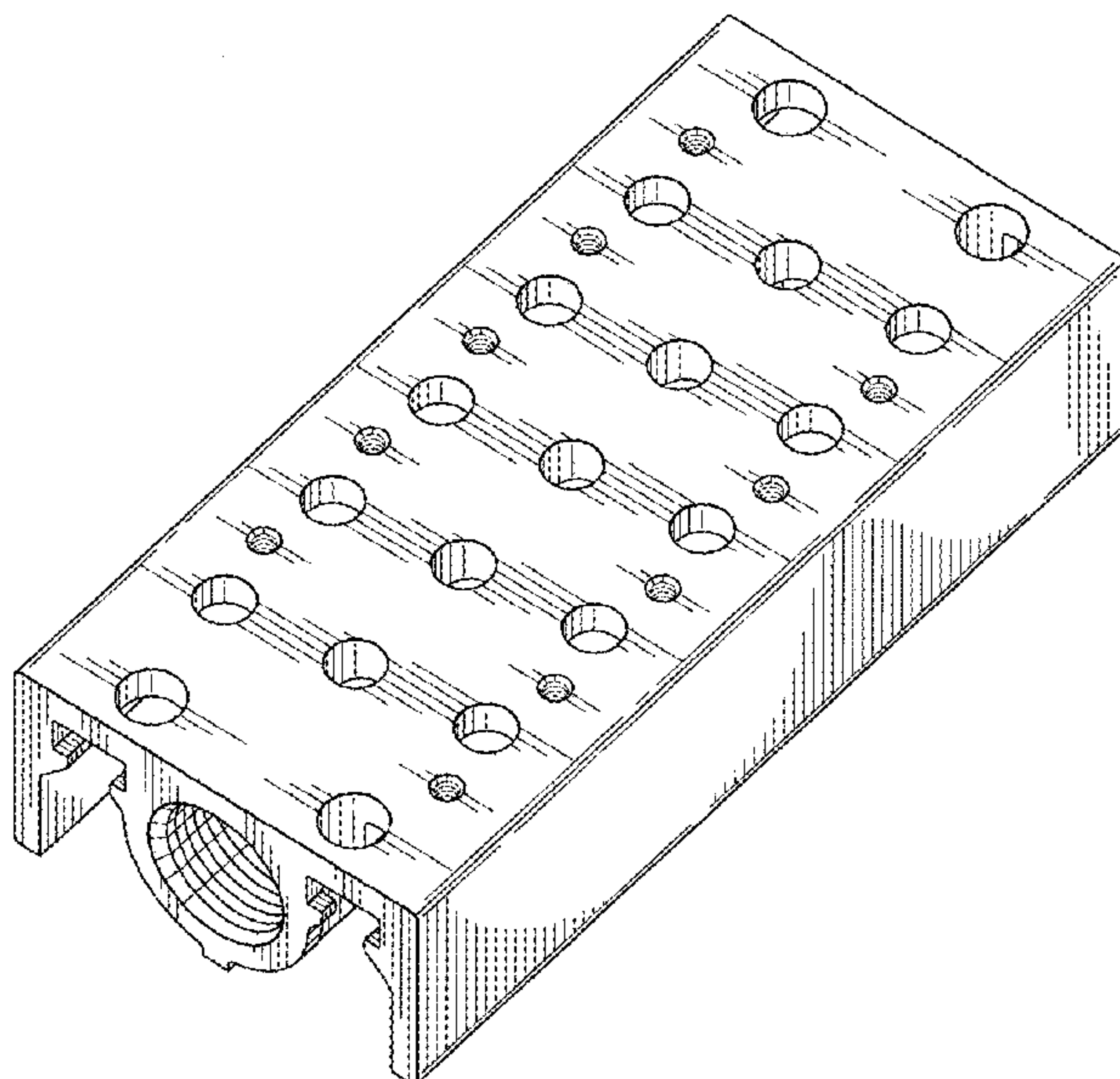
The broken lines in the drawings illustrate portions of the
manifold base for electromagnetic valve that form no part of
the claimed design.

(56) **References Cited**

U.S. PATENT DOCUMENTS

D521,597 S * 5/2006 Nimberger D23/233
D616,965 S * 6/2010 Miyazoe D23/233

1 Claim, 6 Drawing Sheets



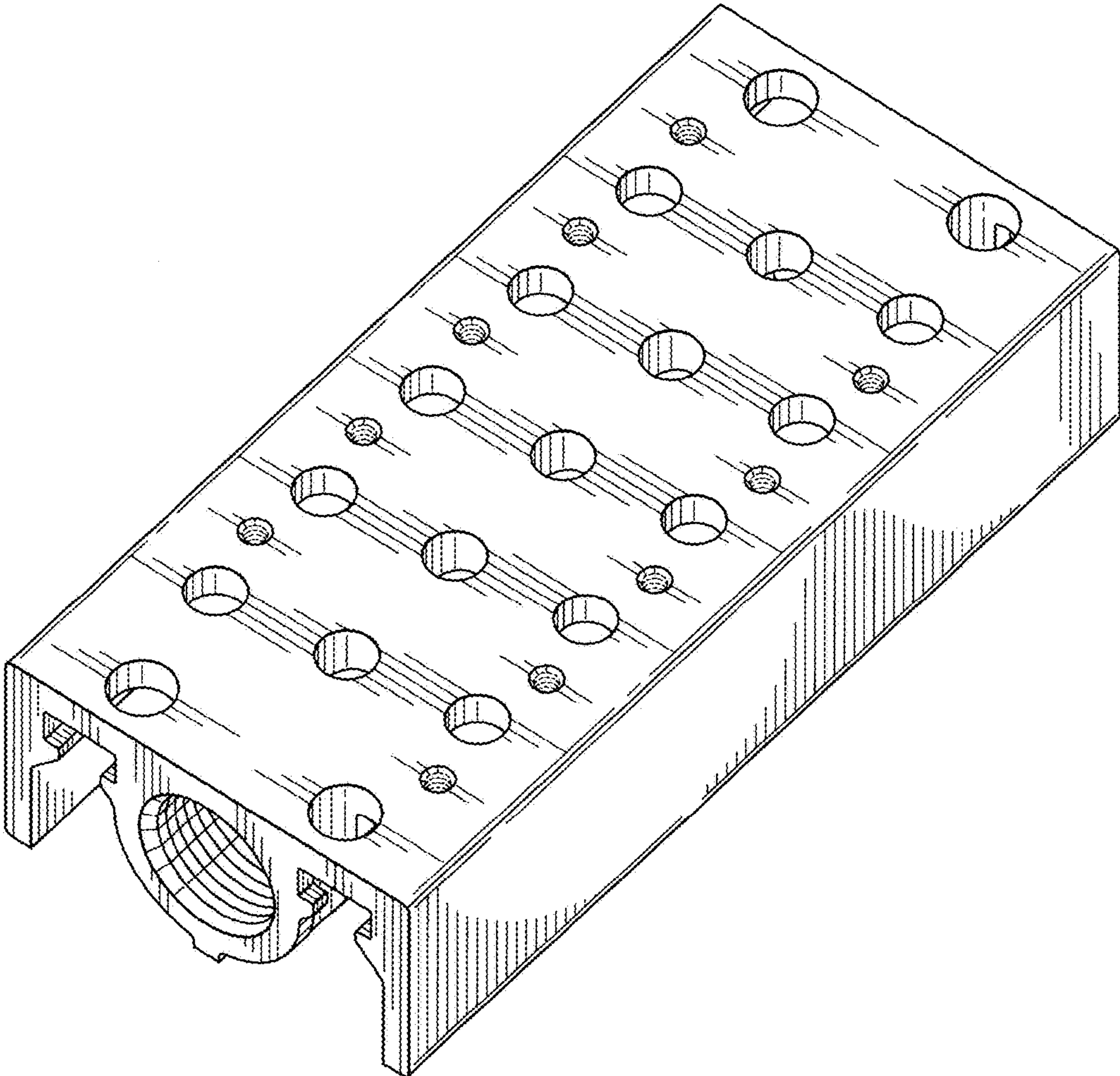


FIG. 1

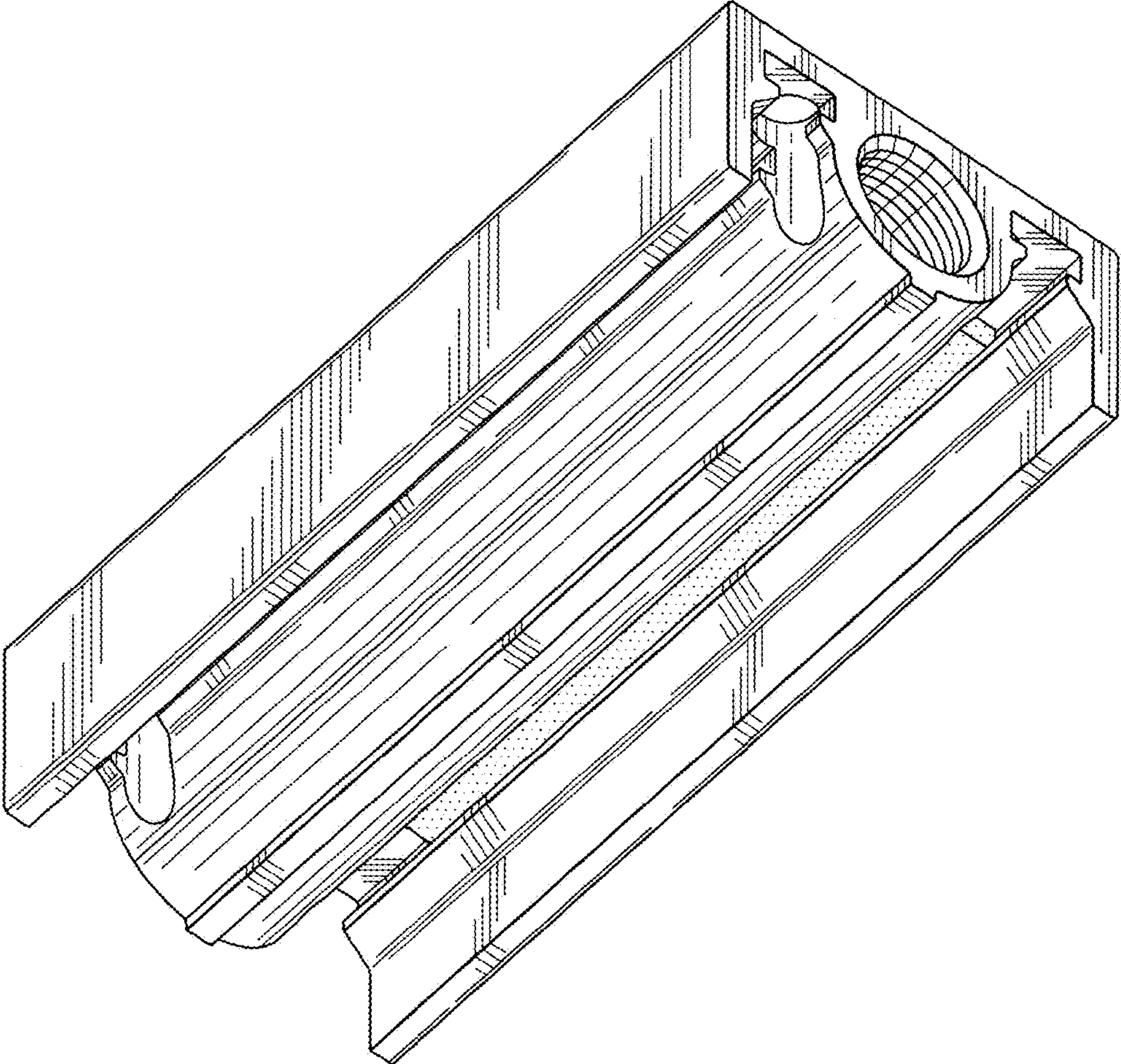


FIG. 2

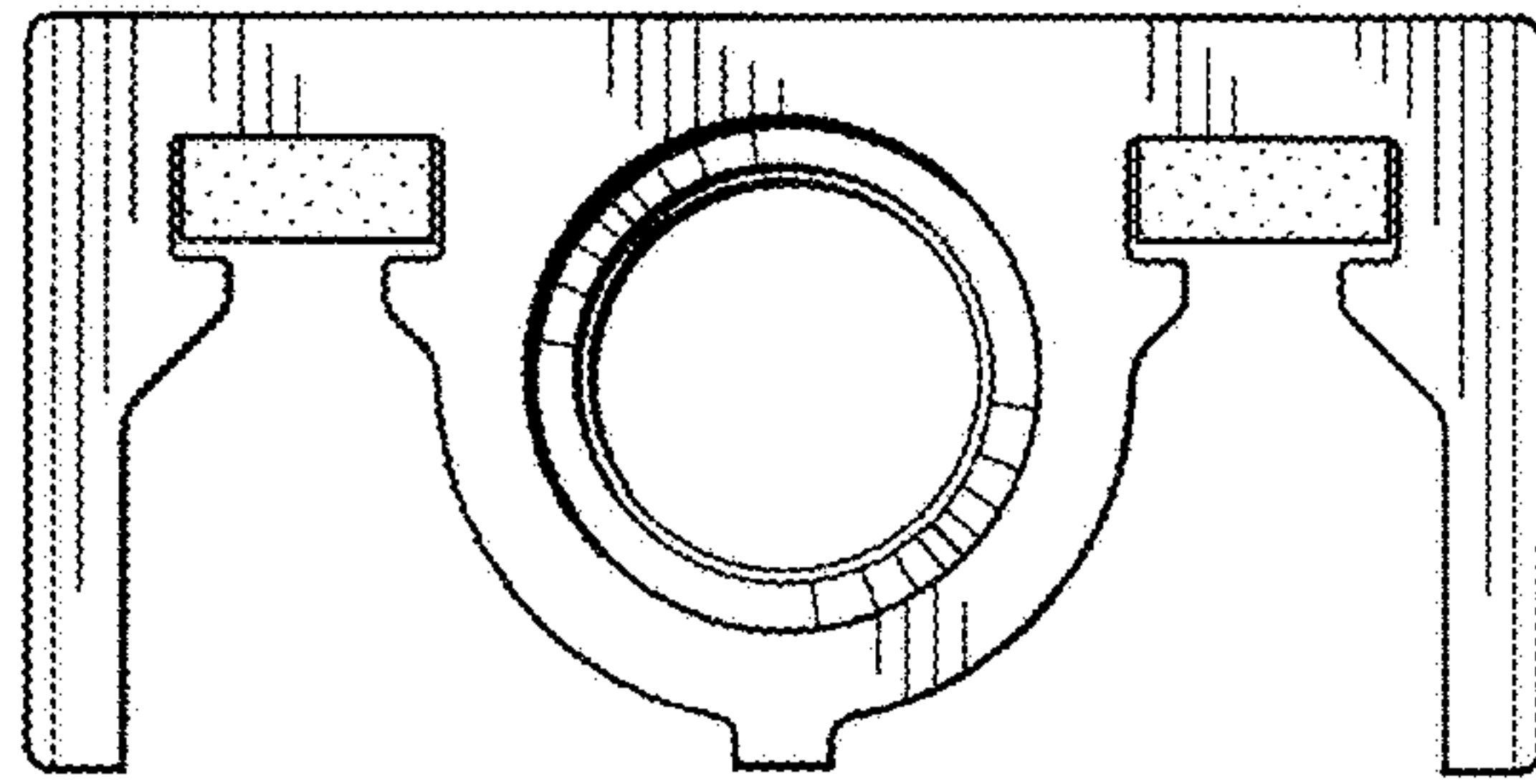


FIG. 3

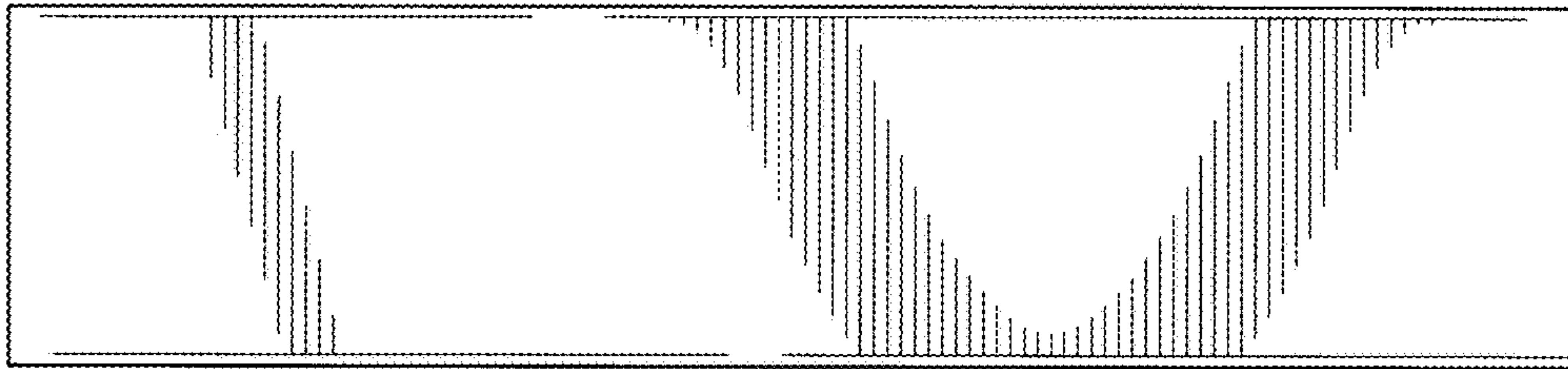


FIG. 4

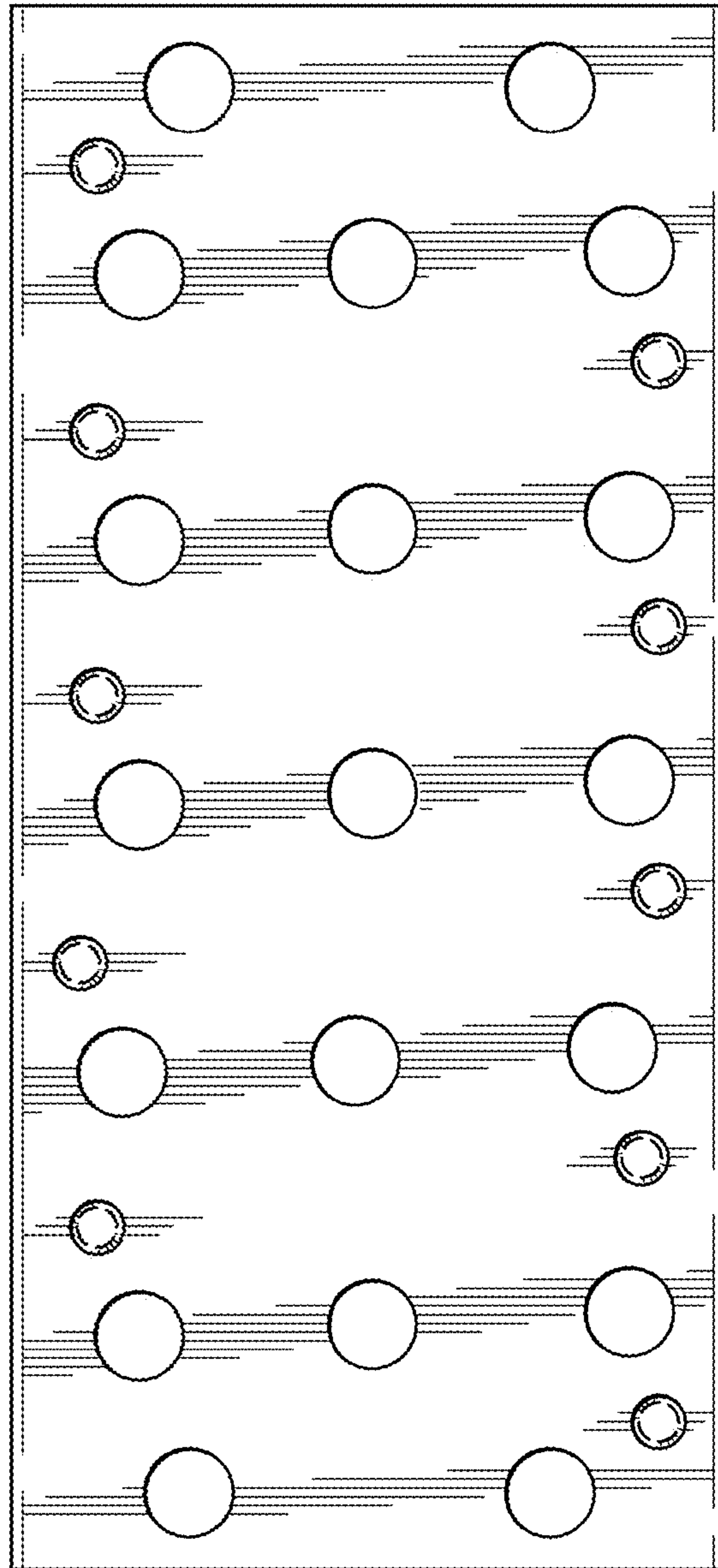


FIG. 5

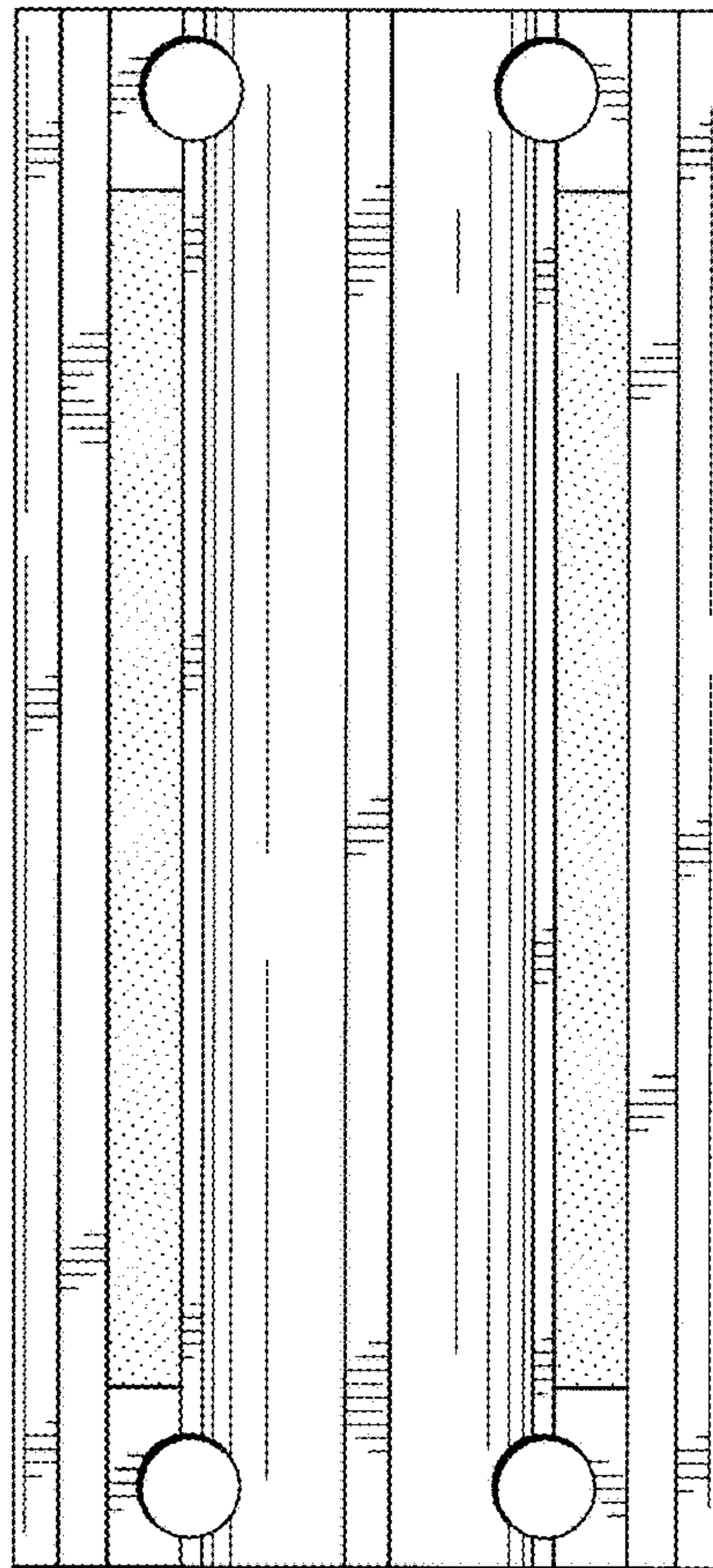


FIG. 6