



US00D810871S

(12) **United States Design Patent** (10) **Patent No.:** **US D810,871 S**
Hegdahl et al. (45) **Date of Patent:** **** Feb. 20, 2018**

(54) **SHAKER CORE**
(71) Applicant: **3M INNOVATIVE PROPERTIES COMPANY**, St. Paul, MN (US)
(72) Inventors: **Anna M. Hegdahl**, Brooklyn Park, MN (US); **Alexander T. Ebertowski**, Burnsville, MN (US); **Scott D. Gullicks**, Woodbury, MN (US)
(73) Assignee: **3M INNOVATIVE PROPERTIES COMPANY**, Saint Paul, MN (US)
(**) Term: **15 Years**

6,662,411 B2 12/2003 Rubenstein et al.
7,353,973 B2 * 4/2008 Rohr B65D 25/42
220/700
7,416,140 B2 * 8/2008 Camilleri B05B 7/2478
222/105
8,196,770 B2 6/2012 Kosmyna et al.
8,444,067 B2 5/2013 Schmon et al.
8,844,840 B2 * 9/2014 Lawrence B05B 7/2408
220/212
D793,530 S * 8/2017 Hegdahl D23/225
D793,531 S * 8/2017 Hegdahl D23/225
2006/0251473 A1 11/2006 Tyski
2012/0000992 A1 1/2012 Shih
2013/0186981 A1 7/2013 Bums
2013/0221130 A1 8/2013 Joseph et al.
(Continued)

(21) Appl. No.: **29/587,205**
(22) Filed: **Dec. 12, 2016**
(51) **LOC (11) Cl.** **23-01**
(52) **U.S. Cl.**
USPC **D23/225**
(58) **Field of Classification Search**
USPC D23/213, 225; 222/567-570; 239/302,
239/310
CPC B05B 7/241; B05B 7/2408; B05B 7/2478;
B65D 47/06
See application file for complete search history.

FOREIGN PATENT DOCUMENTS

CA 2466801 12/2004
DE 8902223.8 5/1989
DE 102009034715 1/2011
(Continued)

Primary Examiner — Robin V Webster
(74) *Attorney, Agent, or Firm* — Aleksander Medved

(57) **CLAIM**

The ornamental design for a shaker core, as shown and described.

(56) **References Cited**

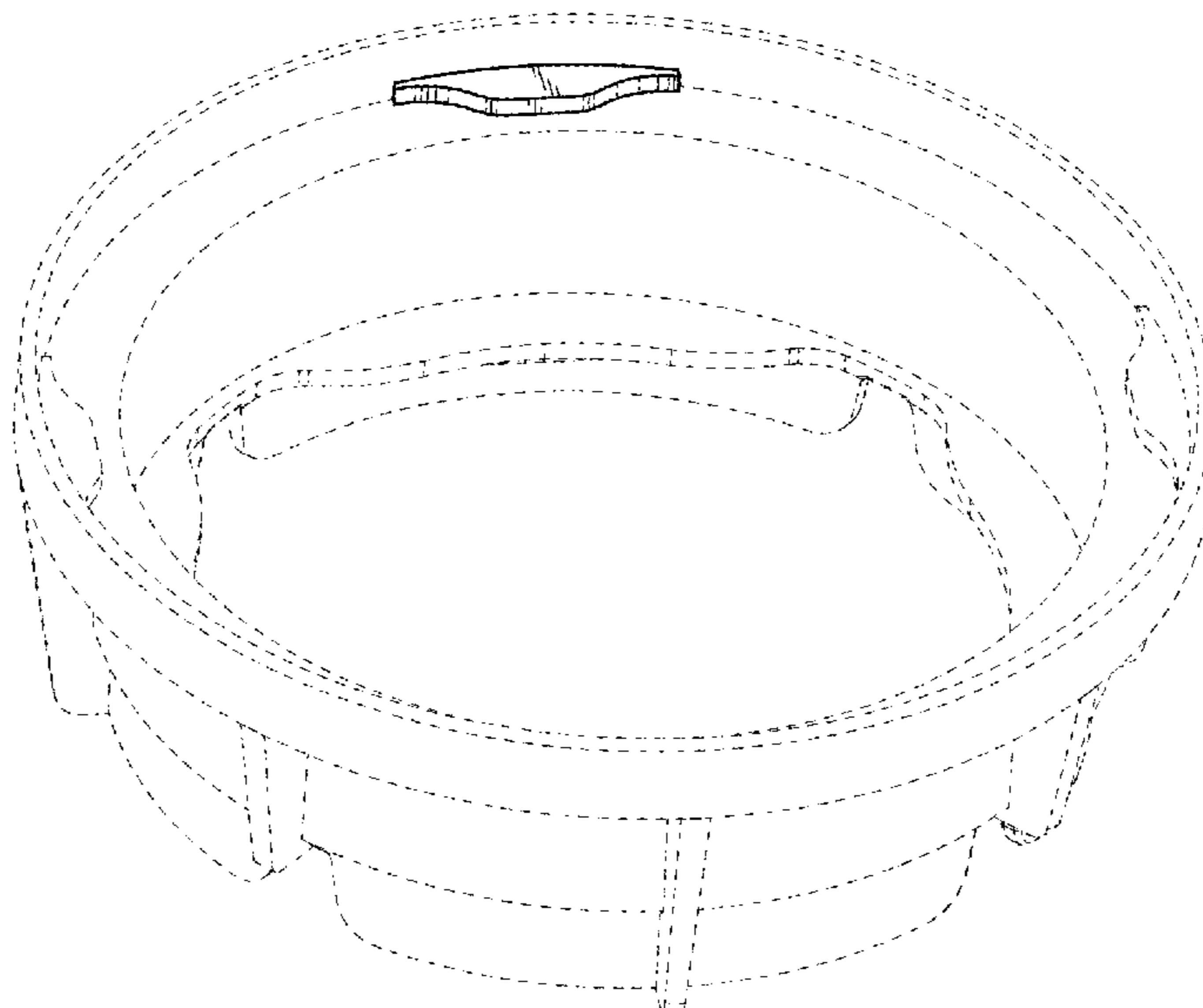
U.S. PATENT DOCUMENTS

2,037,240 A * 4/1936 Johnson B05B 7/2408
292/256.65
3,271,059 A 9/1966 Pearson
5,150,804 A 9/1992 Blanchet et al.
5,240,133 A 8/1993 Thomas, Jr.
6,053,429 A * 4/2000 Chang B05B 7/2413
215/325
6,435,426 B1 * 8/2002 Copp, Jr. B05B 7/2408
215/349
6,588,681 B2 * 7/2003 Rothrum B01F 15/0491
239/328

DESCRIPTION

FIG. 1 is a perspective view of a new design for a shaker core.
FIG. 2 is a front view thereof;
FIG. 3 is a rear view thereof;
FIG. 4 is a top view thereof; and,
FIG. 5 is a bottom view thereof.
The broken line showing of portions of the shaker core is included for the purpose of illustrating and forms no part of the claimed design.

1 Claim, 2 Drawing Sheets



(56)

References Cited

U.S. PATENT DOCUMENTS

2014/0178126 A1 6/2014 Bums

FOREIGN PATENT DOCUMENTS

WO	98/32539	7/1998
WO	03/045575	6/2003
WO	2004/052552	6/2004
WO	2005/018815	3/2005
WO	2008/156357	12/2008
WO	2014/182722	11/2014

* cited by examiner

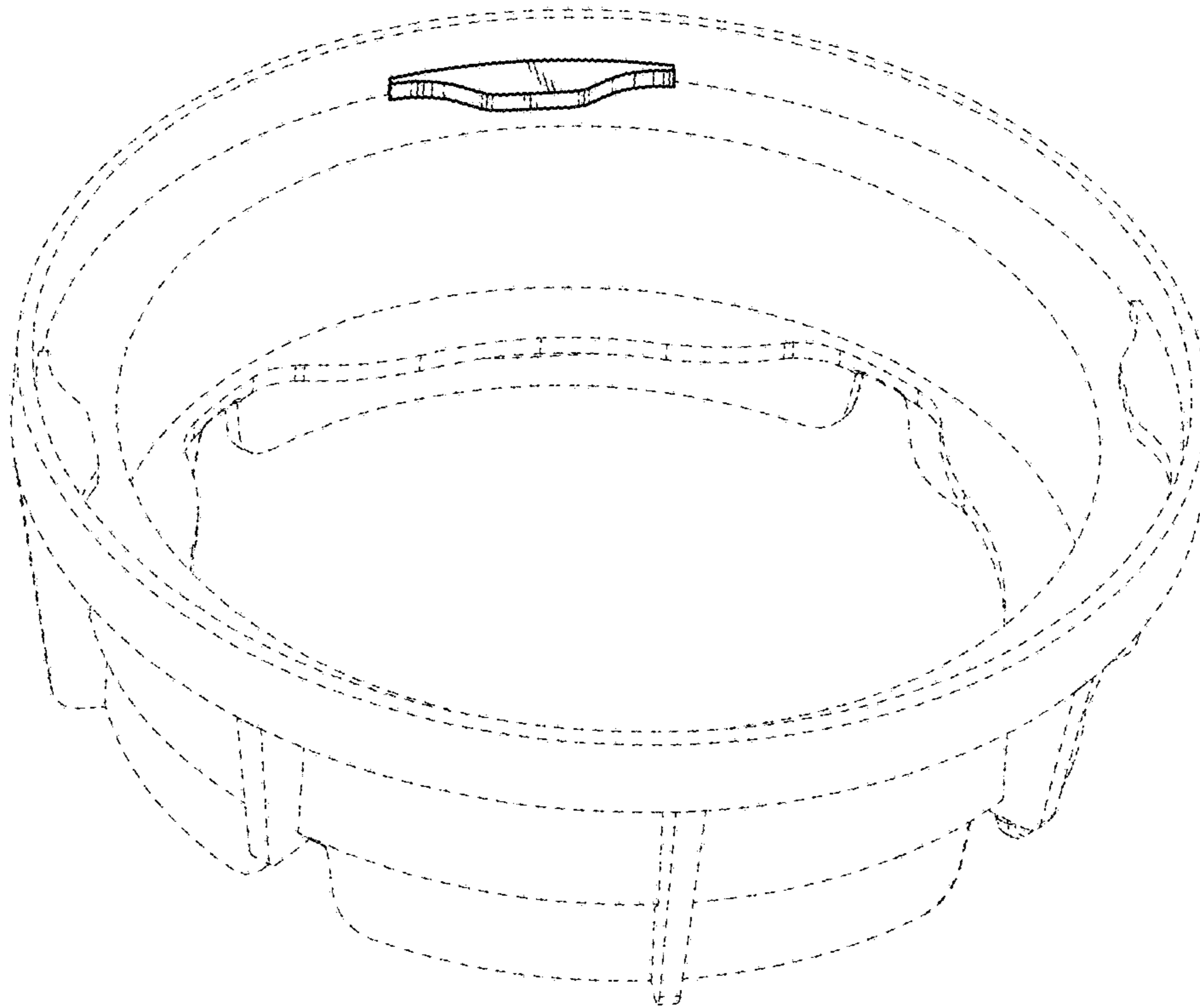


Fig. 1

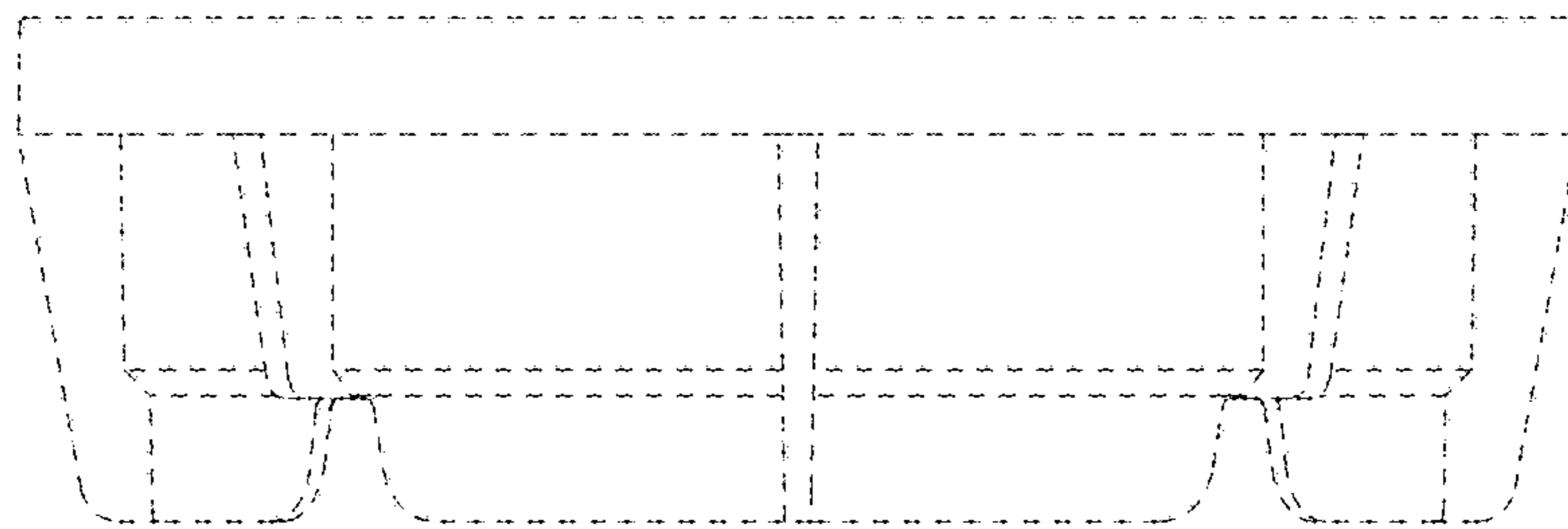


Fig. 2

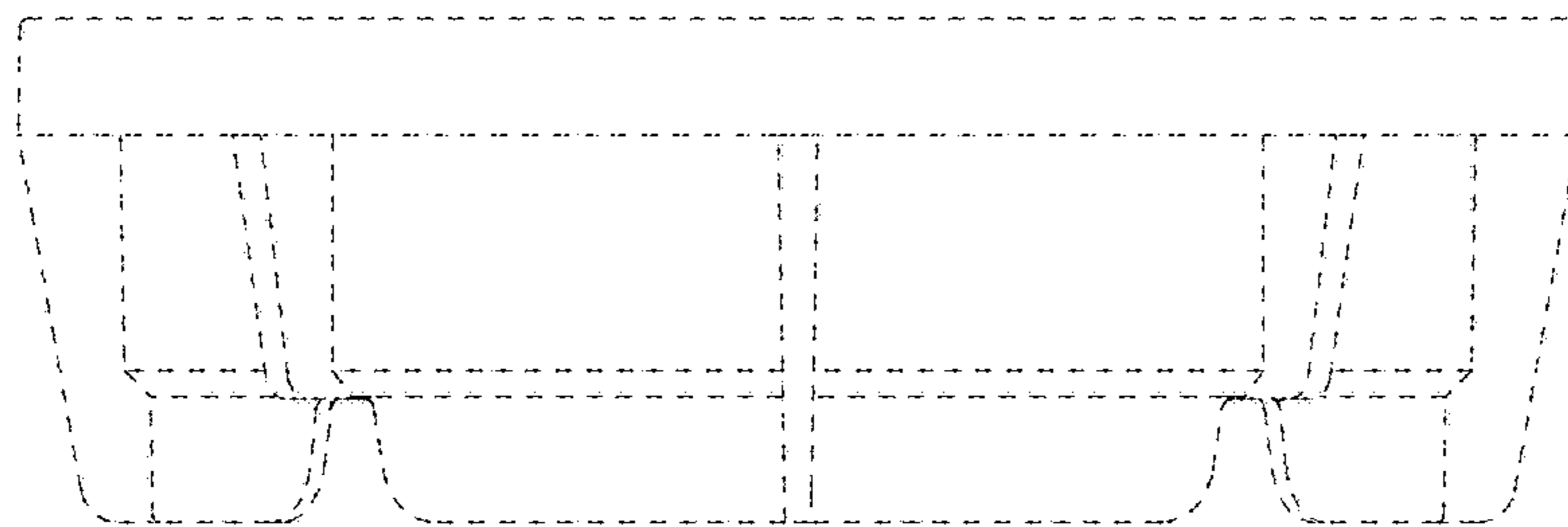


Fig. 3

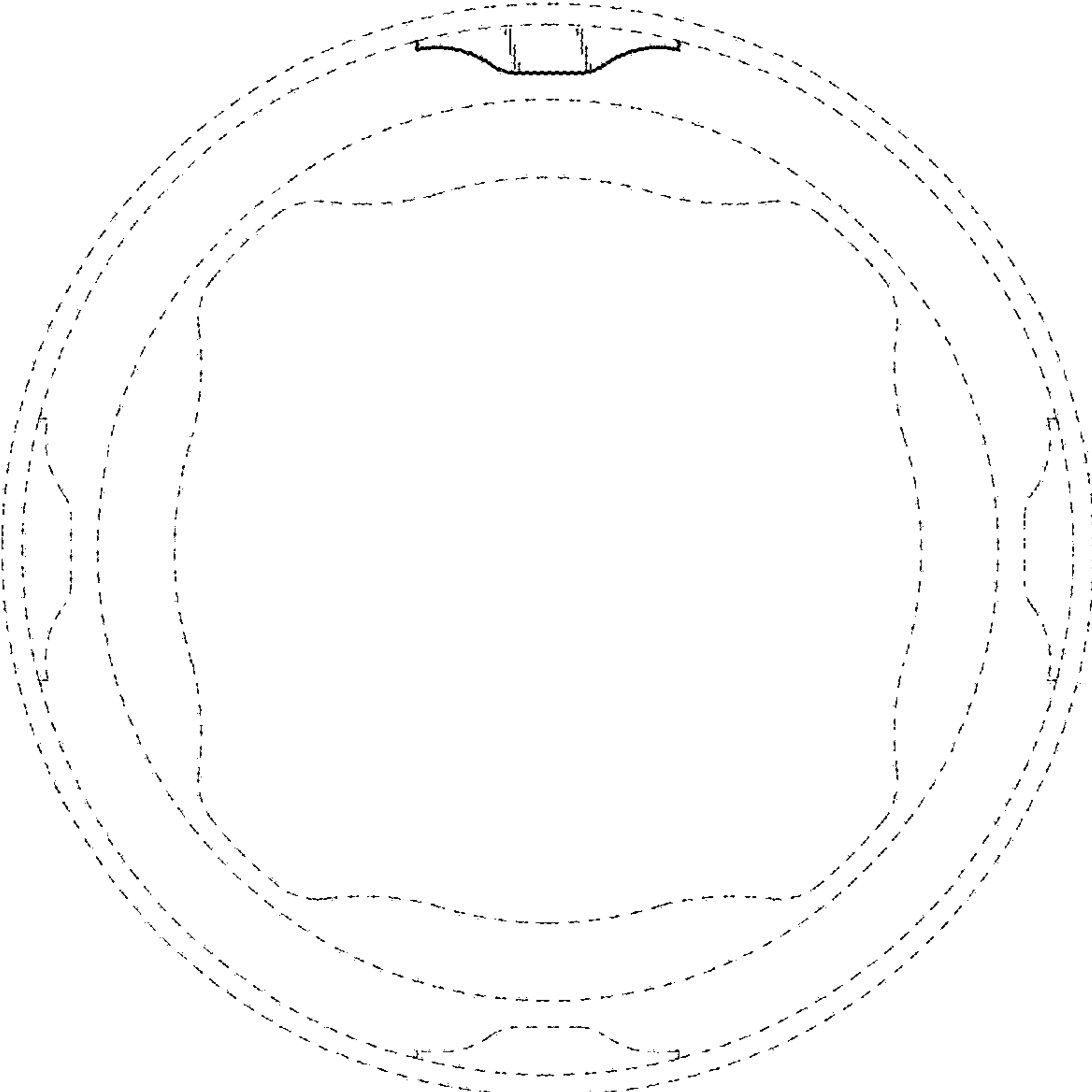


Fig. 4

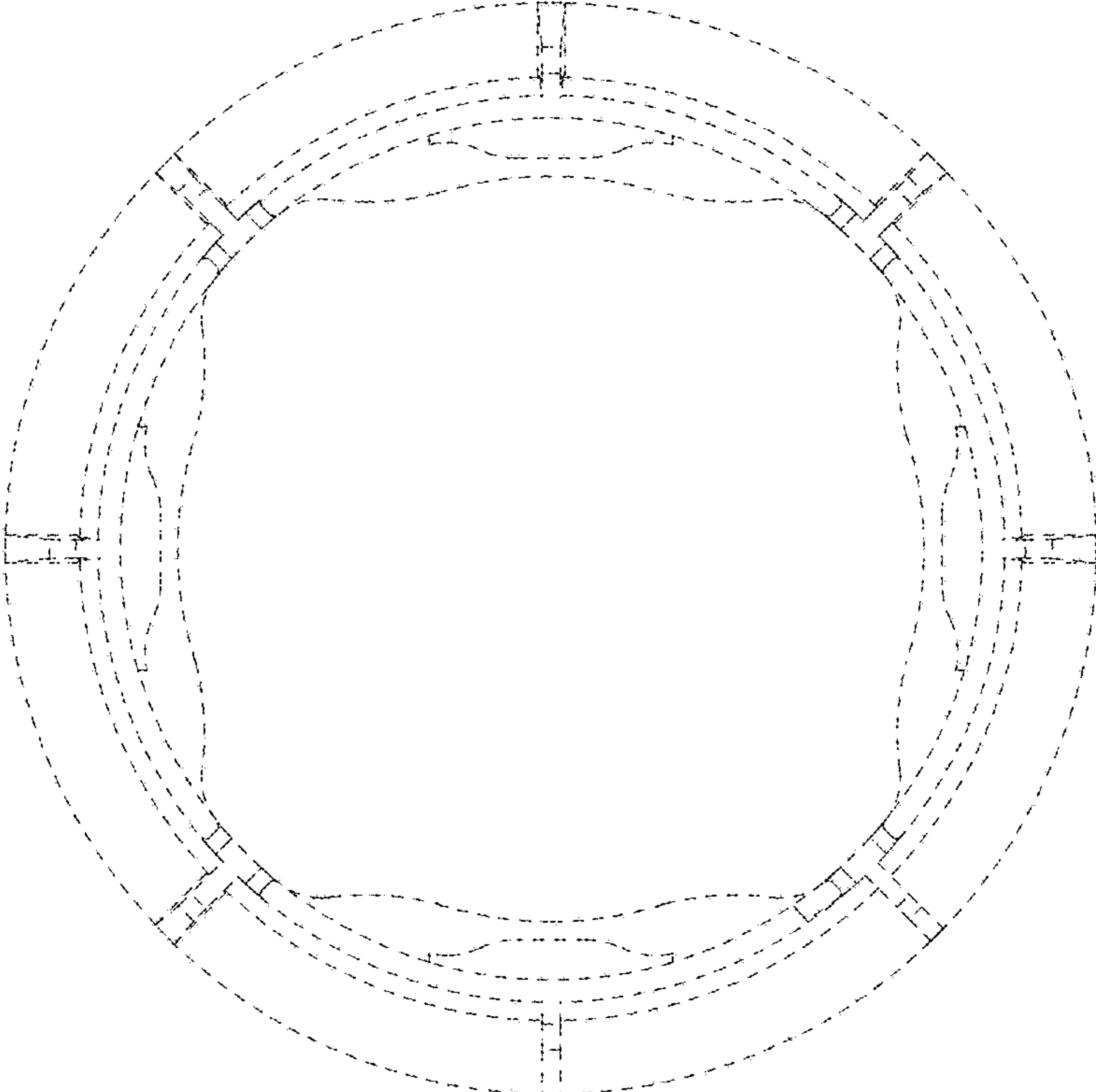


Fig. 5