



US00D810870S

(12) **United States Design Patent** (10) **Patent No.:** **US D810,870 S**
Hegdahl et al. (45) **Date of Patent:** **** Feb. 20, 2018**

(54) **SHAKER CORE** 6,588,681 B2 * 7/2003 Rothrum B01F 15/0491
239/328

(71) Applicant: **3M INNOVATIVE PROPERTIES** 6,662,411 B2 12/2003 Rubenstein et al.
COMPANY, St. Paul, MN (US) 7,353,973 B2 * 4/2008 Rohr B65D 25/42
220/700

(72) Inventors: **Anna M. Hegdahl**, Brooklyn Park, MN 7,416,140 B2 * 8/2008 Camilleri B05B 7/2478
(US); **Alexander T. Ebertowski**, 222/105
Burnsville, MN (US); **Scott D.**
Gullicks, Woodbury, MN (US); 8,196,770 B2 6/2012 Kosmyna et al.
Stephen C. P. Joseph, Woodbury, MN 8,444,067 B2 5/2013 Schmon et al.
(US) 8,844,840 B2 * 9/2014 Lawrence B05B 7/2408
220/212

(73) Assignee: **3M INNOVATIVE PROPERTIES** D793,530 S * 8/2017 Hegdahl D23/225
COMPANY, Saint Paul, MN (US) D793,531 S * 8/2017 Hegdahl D23/225
2006/0251473 A1 11/2006 Tyski
2012/0000992 A1 1/2012 Shih
(Continued)

(**) Term: **15 Years**

FOREIGN PATENT DOCUMENTS

(21) Appl. No.: **29/587,204**

(22) Filed: **Dec. 12, 2016**

(51) **LOC (11) Cl.** **23-01**

(52) **U.S. Cl.**
USPC **D23/225**

(58) **Field of Classification Search**
USPC D23/213, 225; 222/567-570; 239/302,
239/310
CPC B05B 7/241; B05B 7/2408; B05B 7/2478;
B65D 47/06
See application file for complete search history.

CA 2466801 12/2004
DE 8902223 5/1989
(Continued)

Primary Examiner — Robin V Webster
(74) *Attorney, Agent, or Firm* — Aleksander Medved

(57) **CLAIM**

The ornamental design for a shaker core, as shown and described.

DESCRIPTION

FIG. 1 is a perspective view of a new design for a shaker core.

FIG. 2 is a front view thereof;

FIG. 3 is a rear view thereof;

FIG. 4 is a top view thereof; and,

FIG. 5 is a bottom view thereof.

The broken line showing of portions of the shaker core is included for the purpose of illustrating and forms no part of the claimed design. The shading is provided to illustrate contour only and is not an indication of texture, gloss, etc.

1 Claim, 2 Drawing Sheets

(56) **References Cited**

U.S. PATENT DOCUMENTS

2,037,240 A * 4/1936 Swan B05B 7/2408
292/256.65

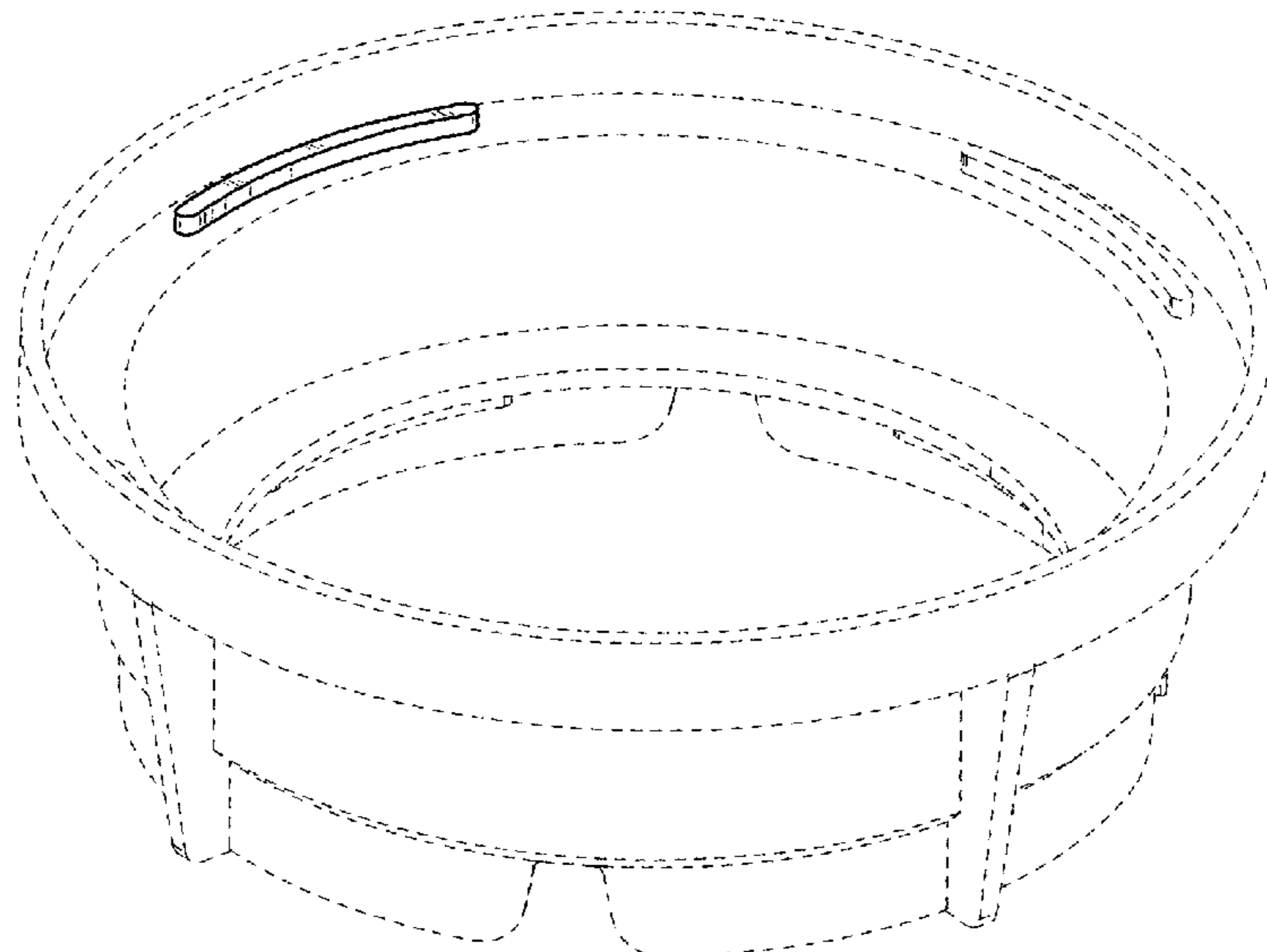
3,271,059 A 9/1966 Pearson

5,150,804 A 9/1992 Blanchet et al.

5,240,133 A 8/1993 Thomas, Jr.

6,053,429 A * 4/2000 Chang B05L 37/2413
215/325

6,435,426 B1 * 8/2002 Copp, Jr. B05B 7/2408
215/349



(56)

References Cited

U.S. PATENT DOCUMENTS

2013/0186981 A1 7/2013 Bums
2013/0221130 A1 8/2013 Joseph et al.
2014/0178126 A1 6/2014 Bums

FOREIGN PATENT DOCUMENTS

DE 102009034715 1/2011
WO WO 98/32539 7/1998
WO WO 03/045575 6/2003
WO WO 2004/052552 6/2004
WO WO 2005/018815 3/2005
WO WO 2008/156357 12/2008
WO WO 2014/182722 11/2014

* cited by examiner

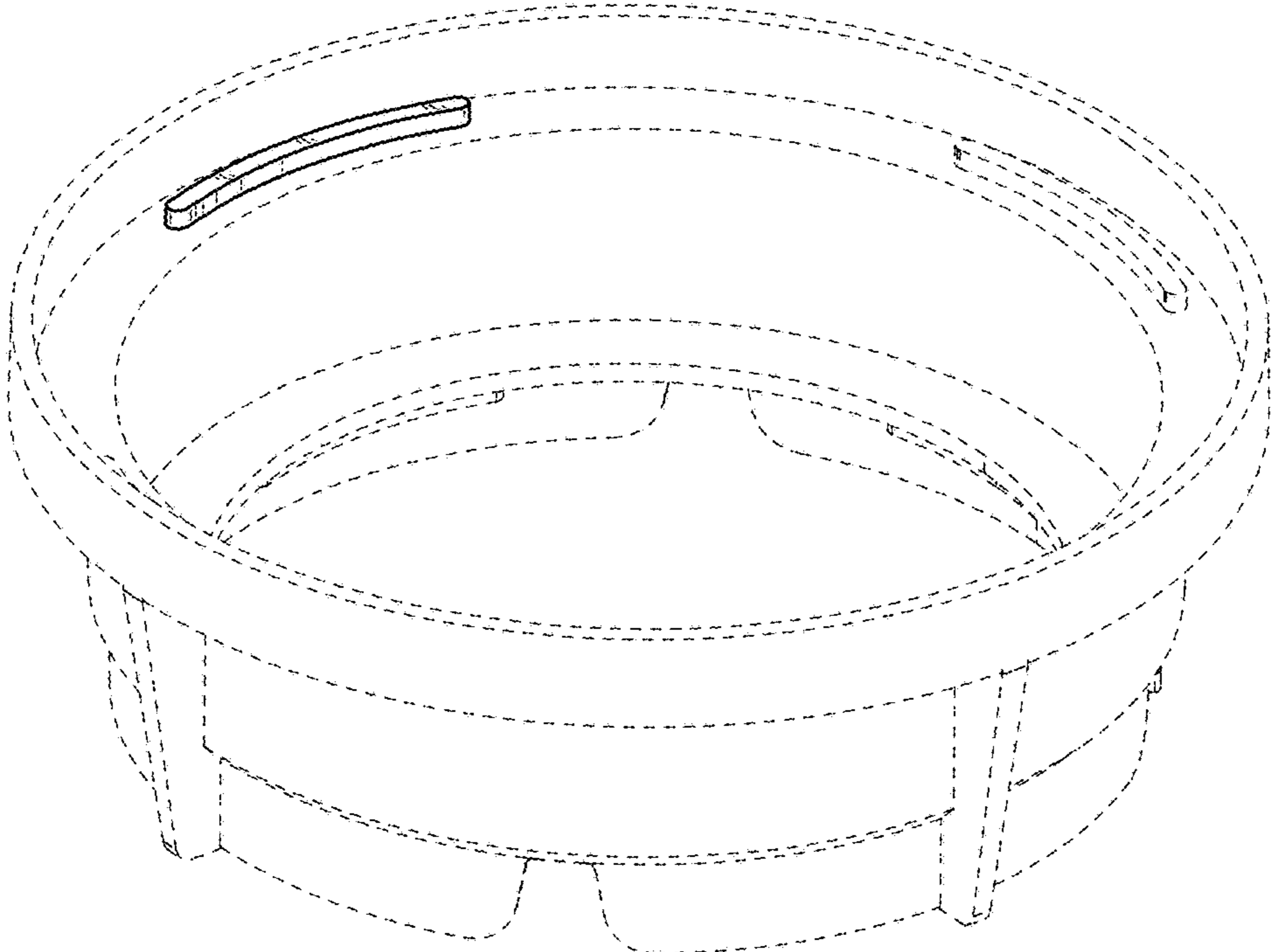


Fig. 1

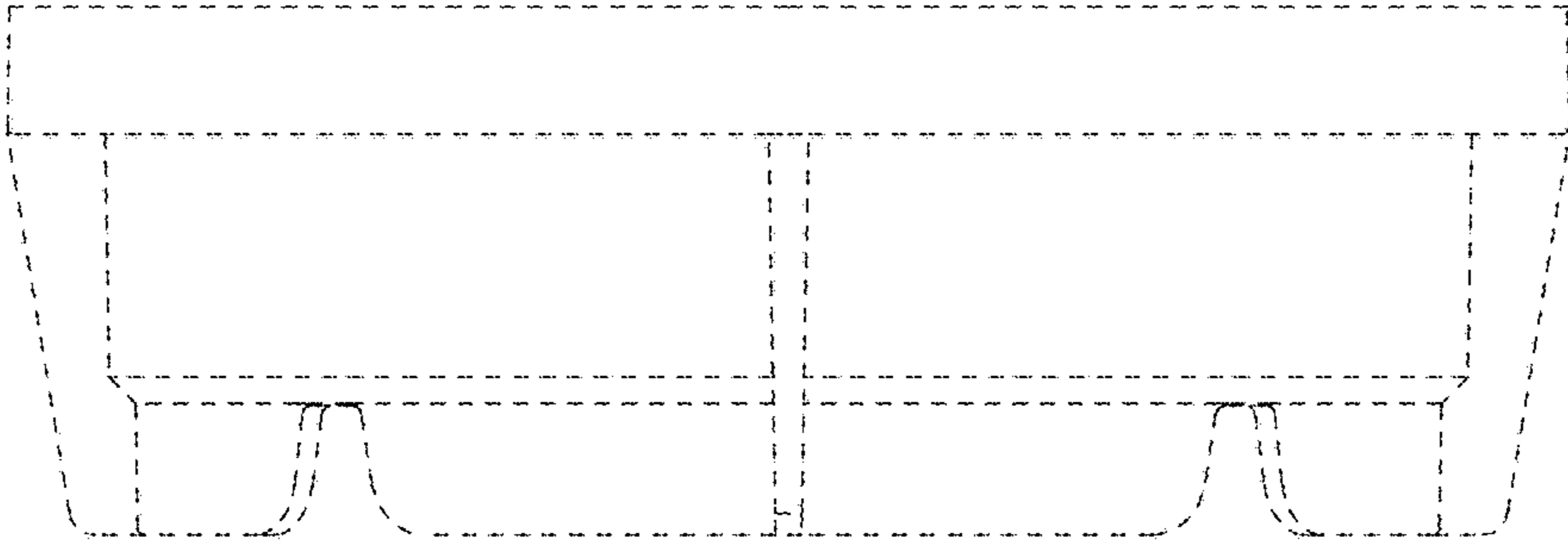


Fig. 2

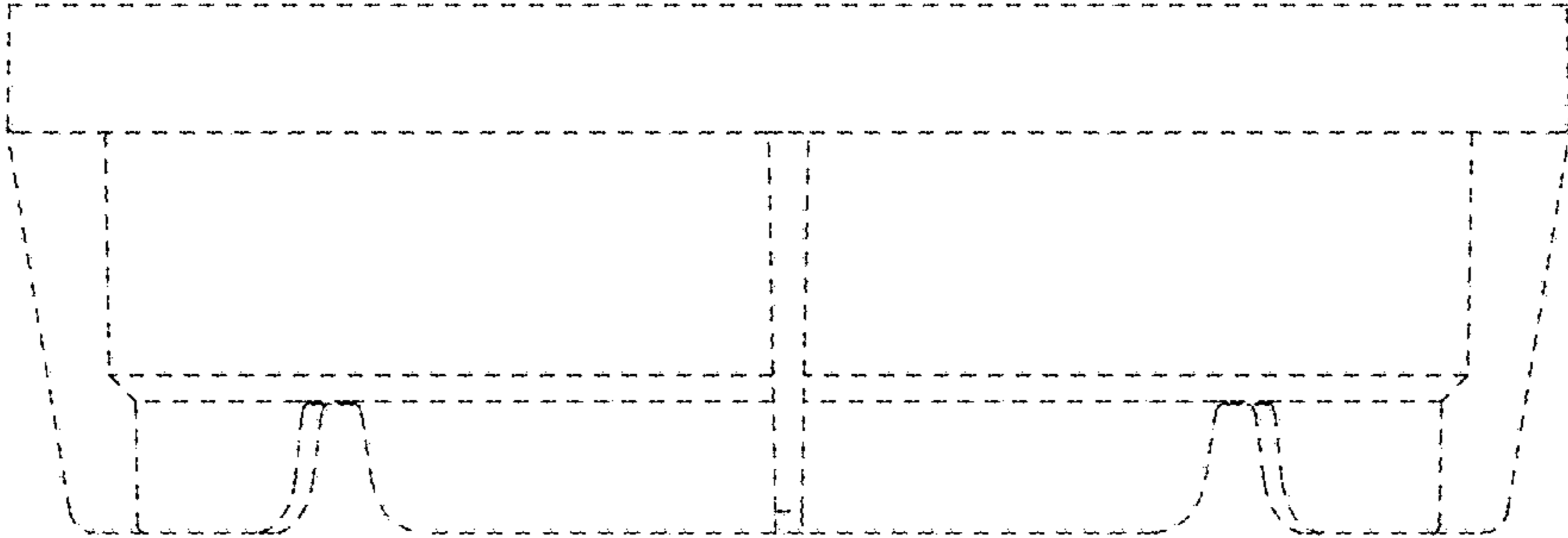


Fig. 3

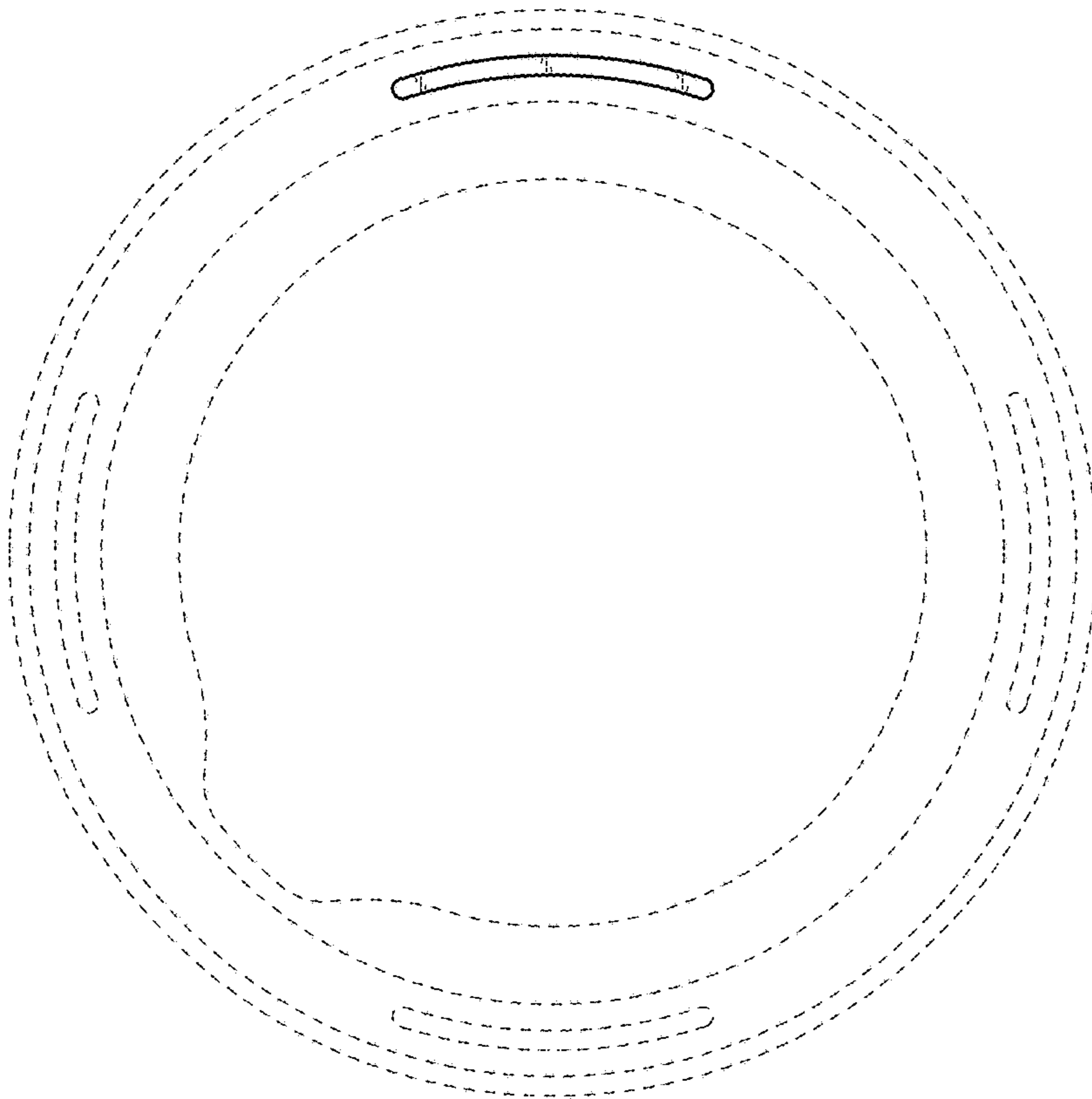


Fig. 4

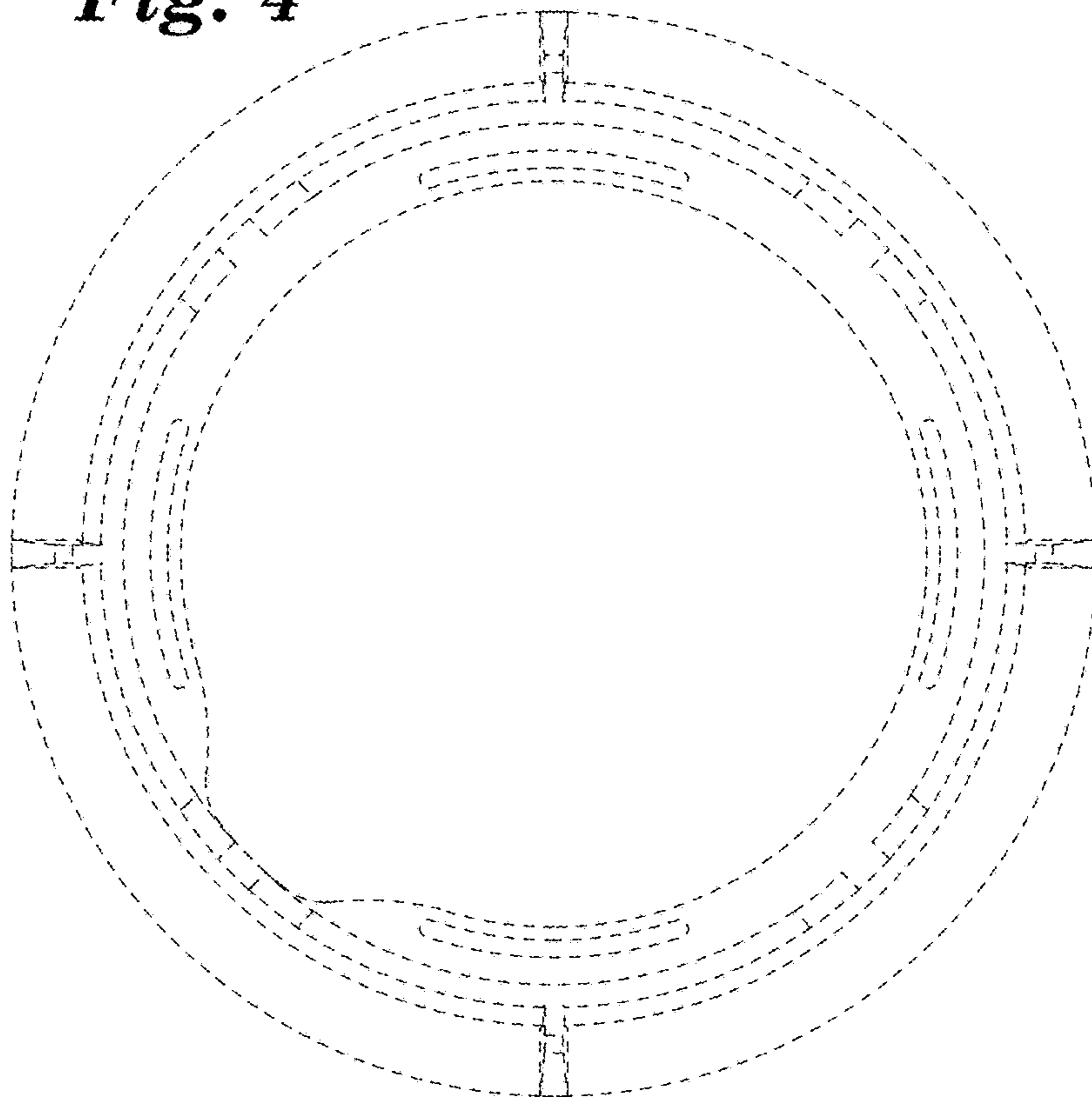


Fig. 5