

(56)

References Cited

U.S. PATENT DOCUMENTS

7,416,140 B2 * 8/2008 Camilleri B05B 7/2478
 222/105
 7,513,443 B2 * 4/2009 Escoto, Jr. B05B 7/241
 215/11.1
 7,694,896 B2 * 4/2010 Turnbull B05B 7/2478
 239/11
 7,789,324 B2 * 9/2010 Bouic B05B 7/2478
 239/290
 7,819,341 B2 * 10/2010 Schmon B05B 7/2478
 222/105
 8,016,209 B2 * 9/2011 Hess A01M 1/2044
 239/102.1
 8,033,413 B2 * 10/2011 Gerson B05B 7/2408
 220/315
 8,066,205 B2 * 11/2011 Bass B05B 7/066
 239/337
 8,127,963 B2 * 3/2012 Gerson B05B 7/2408
 220/495.02
 8,196,770 B2 6/2012 Kosmyna et al.
 8,444,067 B2 * 5/2013 Schmon B05B 7/2478
 239/302

D692,530 S * 10/2013 Gehrung D23/225
 D697,583 S * 1/2014 Schmon D23/225
 8,925,836 B2 * 1/2015 Dettlaff B05B 7/2478
 215/357
 9,227,208 B2 * 1/2016 Lin B05B 7/2408
 D792,556 S * 7/2017 Hegdahl D23/225
 9,815,076 B2 * 11/2017 Schulz B05B 7/2478
 2006/0175433 A1 8/2006 Escoto, Jr. et al.
 2006/0251473 A1 11/2006 Tyski
 2012/0000992 A1 1/2012 Shih
 2013/0186981 A1 7/2013 Bums
 2013/0221130 A1 8/2013 Joseph et al.
 2014/0178126 A1 6/2014 Bums

FOREIGN PATENT DOCUMENTS

DE 102009034715 1/2011
 WO WO 98/32539 7/1998
 WO WO 03/045575 6/2003
 WO WO 2004/052552 6/2004
 WO WO 2005/018815 3/2005
 WO WO 2008/156357 12/2008
 WO WO 2014/182722 11/2014

* cited by examiner

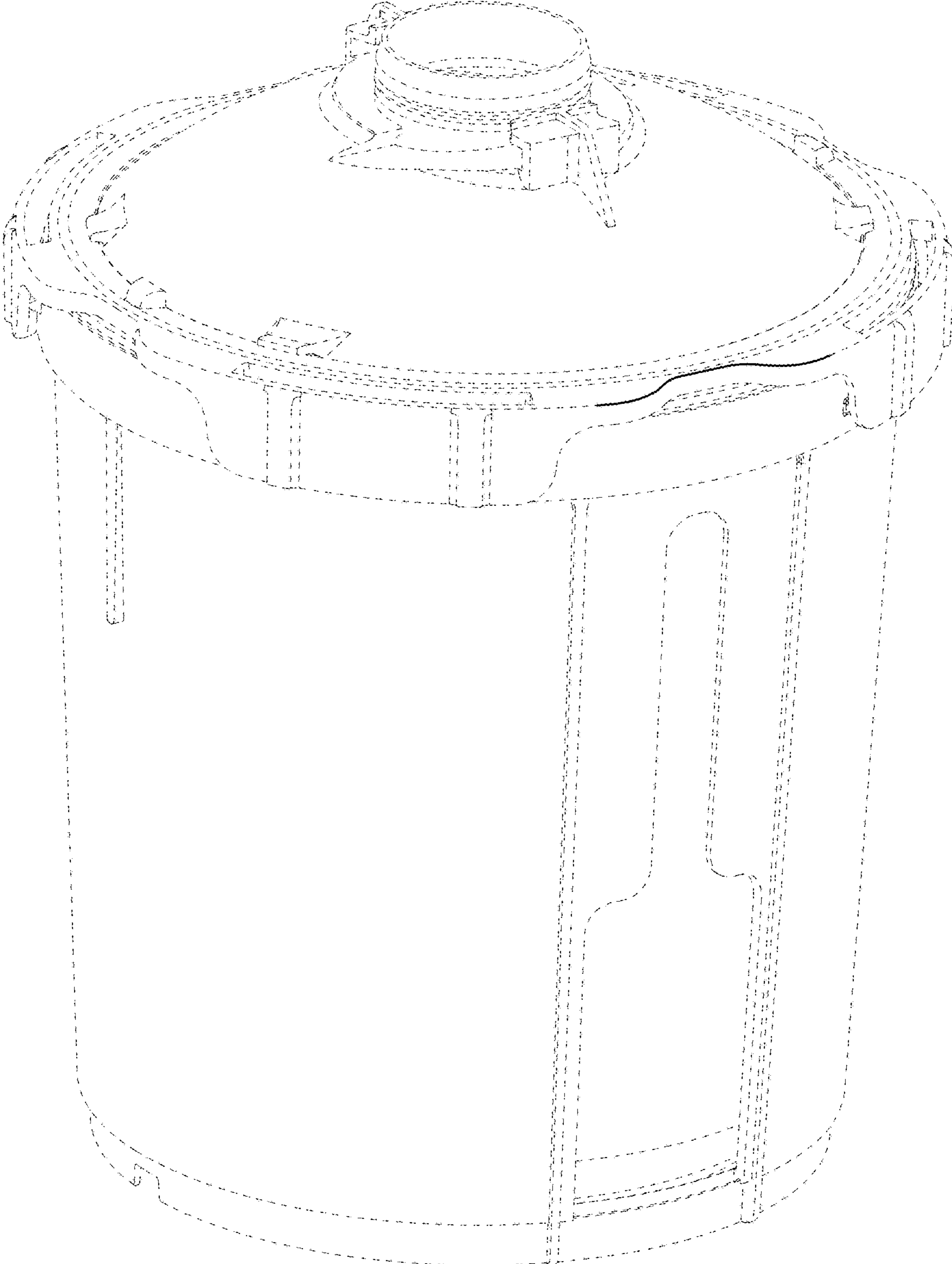


Fig. 1

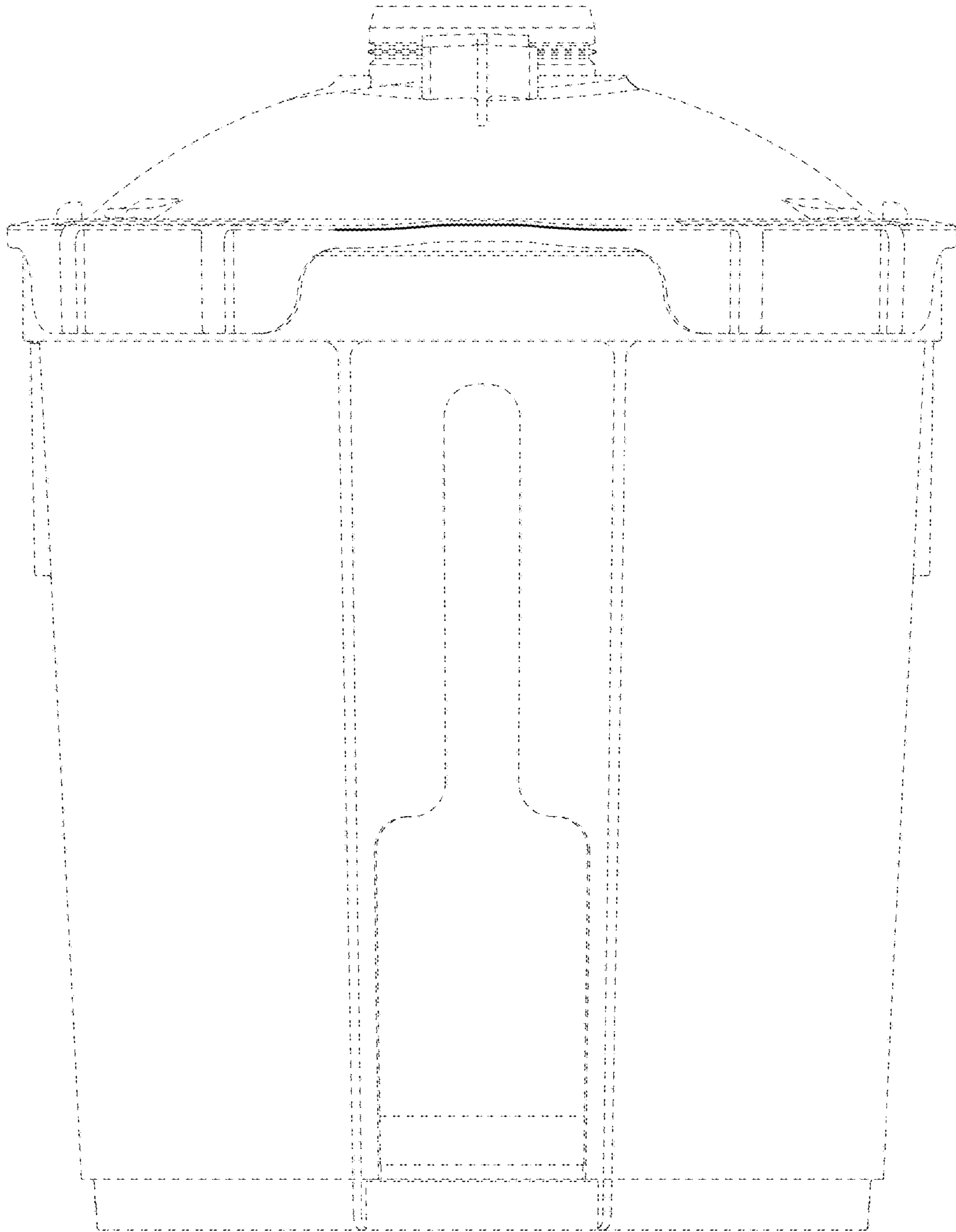


Fig. 2

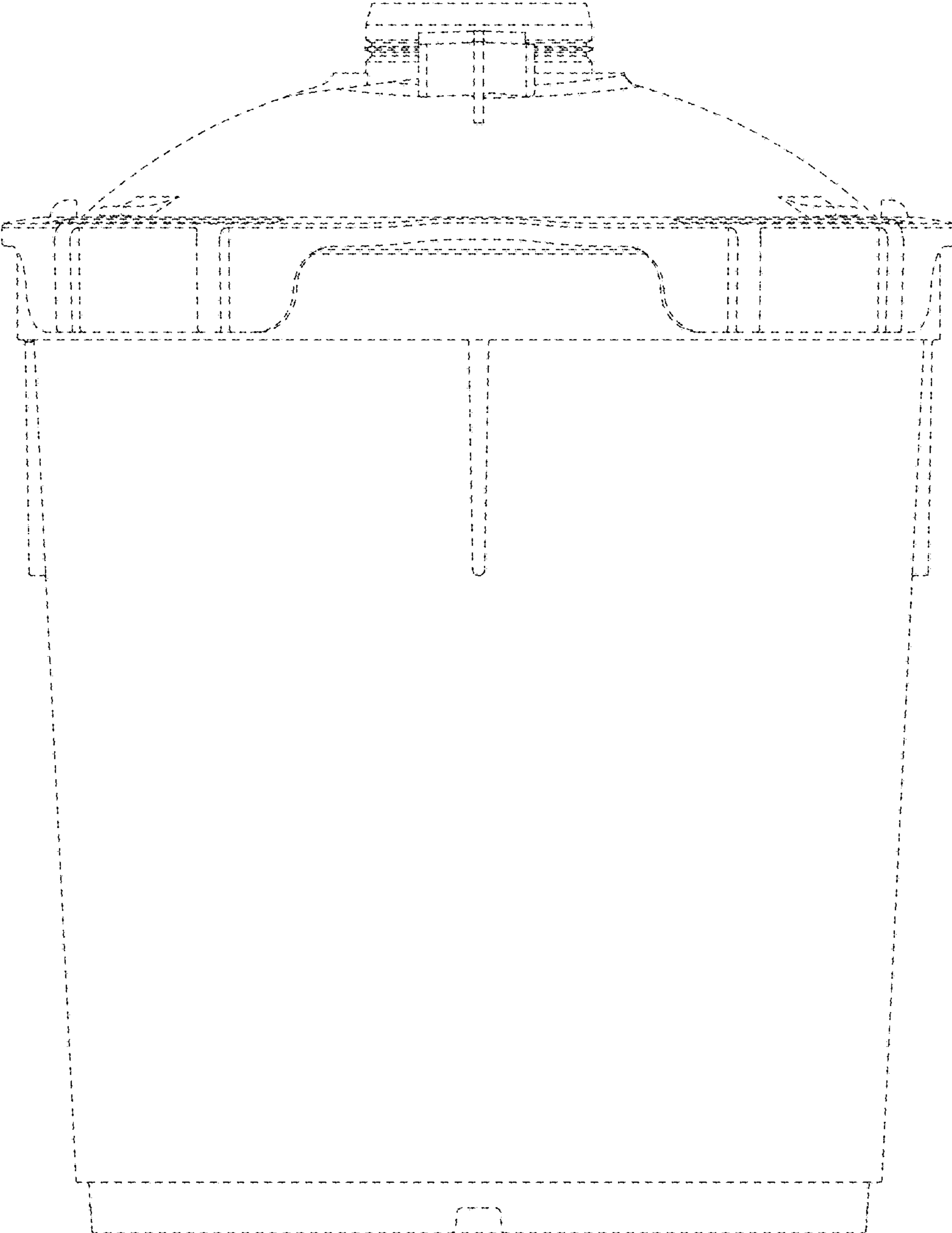


Fig. 3

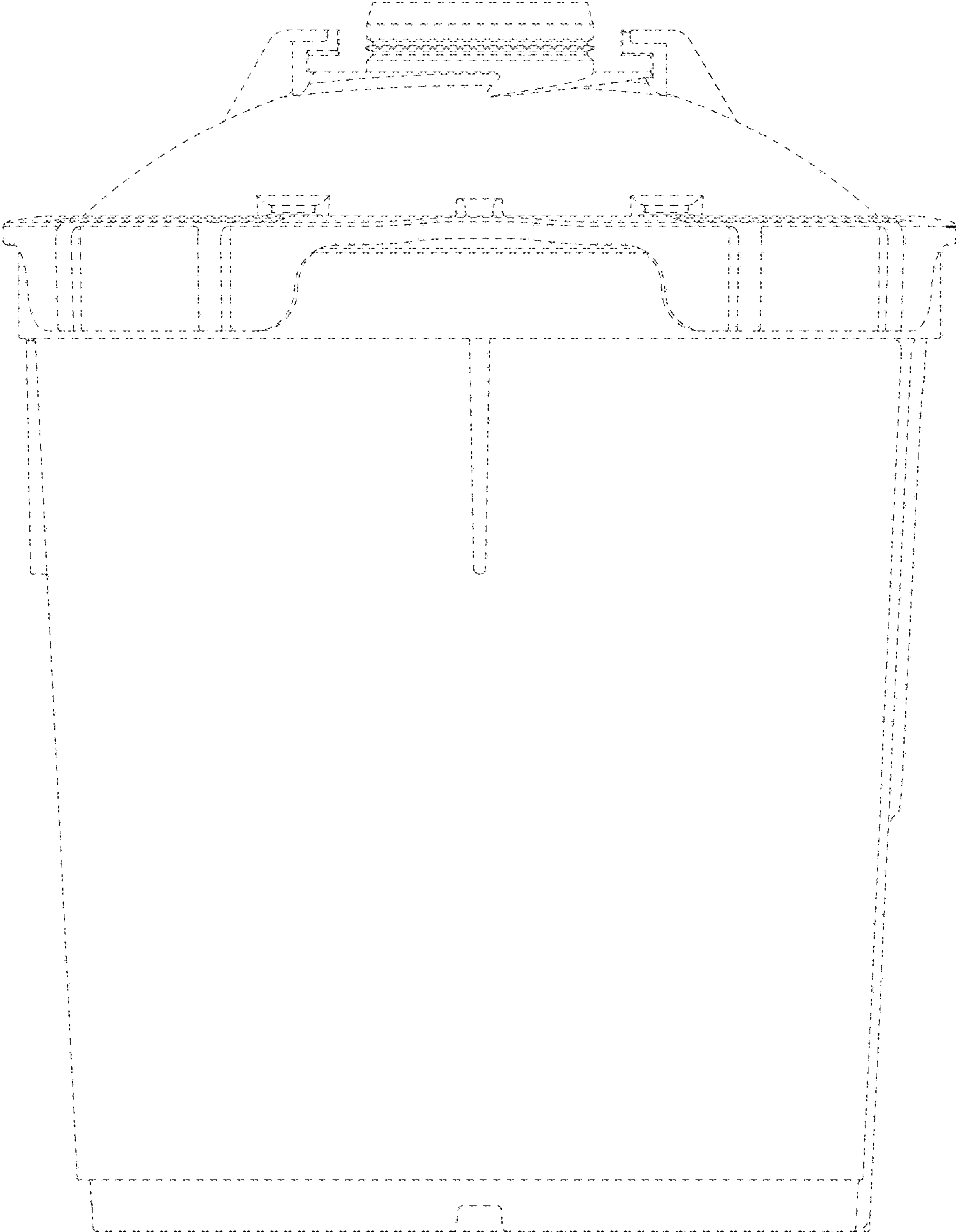


Fig. 4

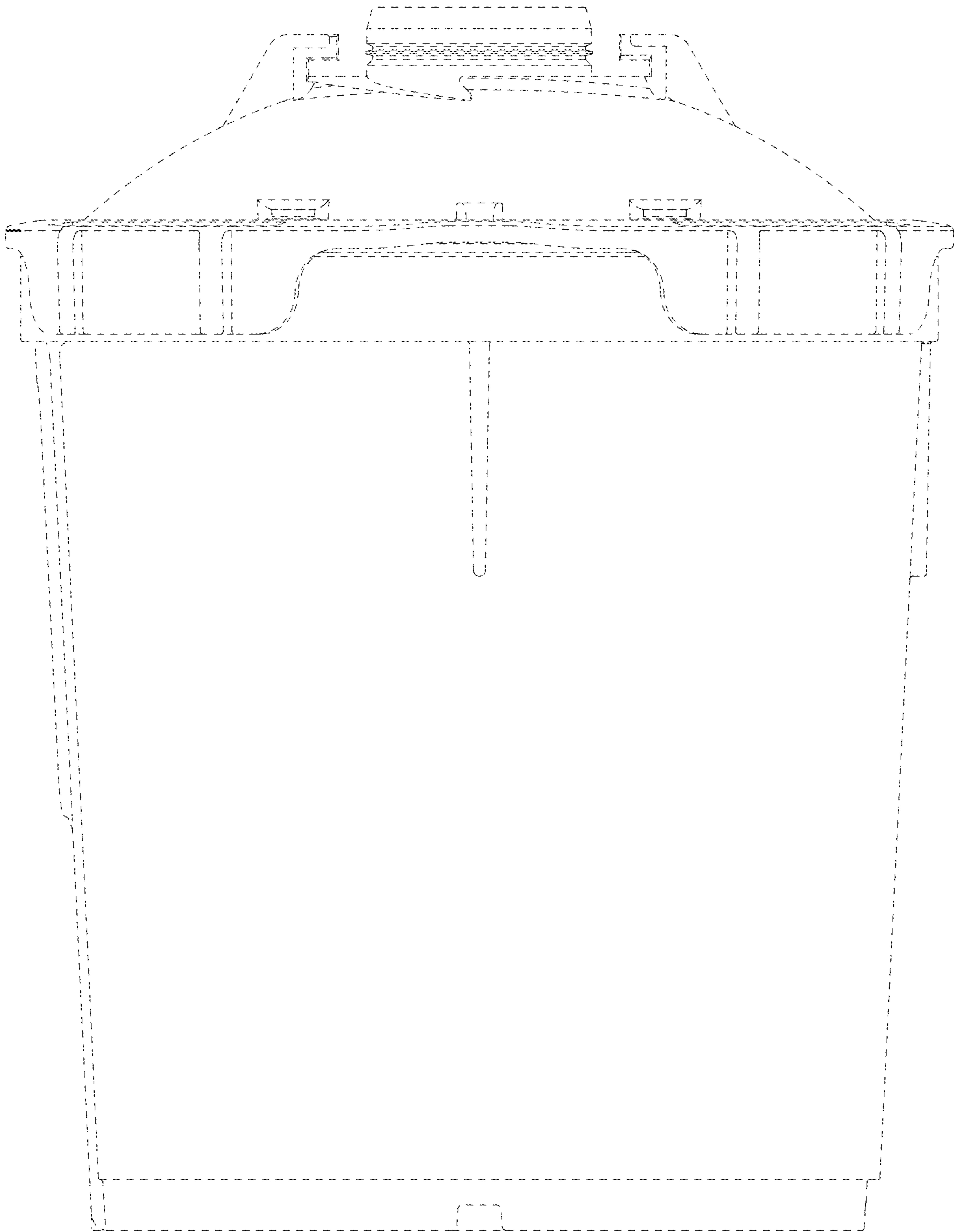


Fig. 5

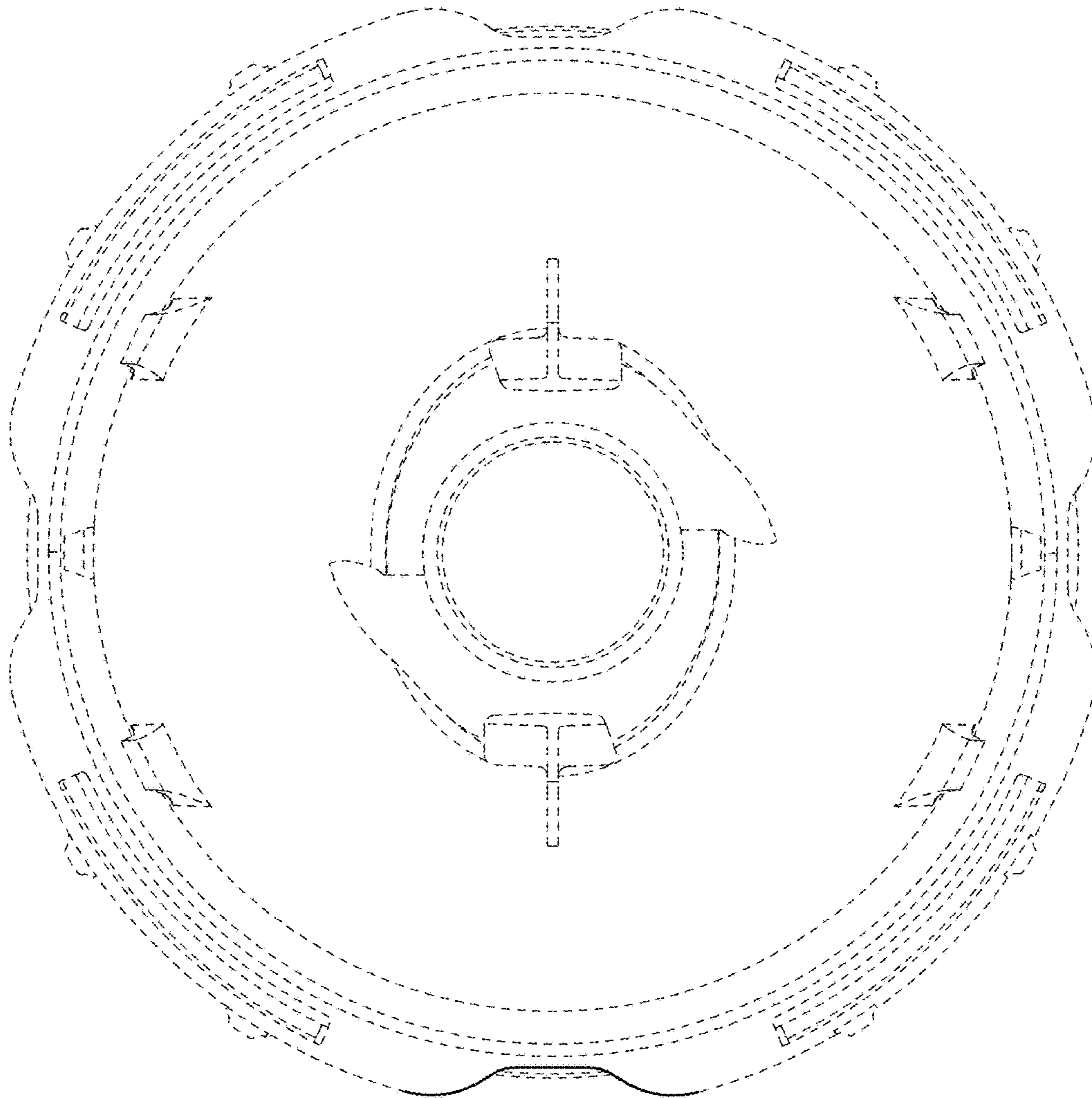


Fig. 6

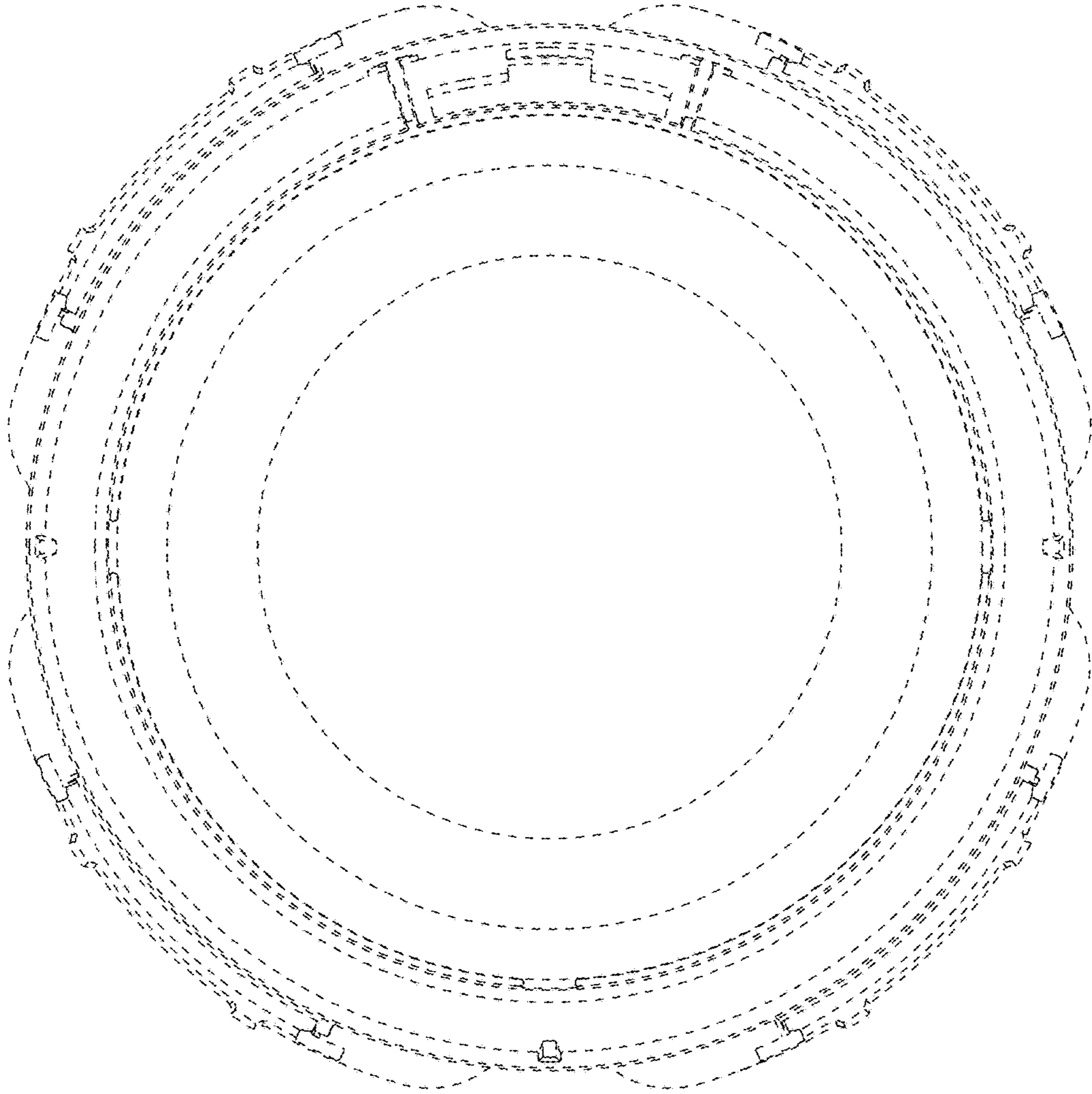


Fig. 7