



US00D810867S

(12) **United States Design Patent** (10) **Patent No.:** **US D810,867 S**  
**Hegdahl et al.** (45) **Date of Patent:** **\*\* Feb. 20, 2018**

(54) **SPRAY GUN LIQUID CONTAINMENT DEVICE**

D474,528 S \* 5/2003 Huang ..... D23/225  
6,595,441 B2 \* 7/2003 Petrie ..... B05B 7/2408  
239/318

(71) Applicant: **3M INNOVATIVE PROPERTIES COMPANY**, St. Paul, MN (US)

6,662,411 B2 12/2003 Rubenstein et al.  
(Continued)

(72) Inventors: **Anna M. Hegdahl**, Brooklyn Park, MN (US); **Alexander T. Ebertowski**, Burnsville, MN (US); **Scott D. Gullicks**, Woodbury, MN (US); **Stephen C. P. Joseph**, Woodbury, MN (US); **Dominic M. Pitera**, San Francisco, CA (US)

FOREIGN PATENT DOCUMENTS

CA 2466801 12/2004  
DE 8902223.8 5/1989  
(Continued)

(73) Assignee: **3M INNOVATIVE PROPERTIES COMPANY**, Saint Paul, MN (US)

Graco, "CanConnect-Handheld 1 Quart Can Adapter," Feb. 2014, 2pgs.  
(Continued)

(\*\*) Term: **15 Years**

*Primary Examiner* — Robin V Webster

(21) Appl. No.: **29/587,199**

(74) *Attorney, Agent, or Firm* — Aleksander Medved

(22) Filed: **Dec. 12, 2016**

(57) **CLAIM**

(51) **LOC (11) Cl.** ..... **23-01**

The ornamental design for a spray gun liquid containment device, as shown and described.

(52) **U.S. Cl.**

USPC ..... **D23/225**

(58) **Field of Classification Search**

USPC ..... D23/213, 225; 222/567-570; 239/302, 239/310

CPC ..... B05B 7/241; B05B 7/2408; B05B 7/2478; B65D 47/06

See application file for complete search history.

**DESCRIPTION**

FIG. 1 is a perspective view of a new design for a spray gun liquid containment device that has an annular bottom opening adjacent a window that allows the user to visually ascertain the amount of liquid present in the device.

FIG. 2 is a front view thereof;

FIG. 3 is a rear view thereof;

FIG. 4 is a left side view thereof;

FIG. 5 is a right side view thereof;

FIG. 6 is a top view thereof; and,

FIG. 7 is a bottom view thereof.

The broken line showing of portions of the spray gun liquid containment device is included for the purpose of illustrating and forms no part of the claimed design.

(56) **References Cited**

U.S. PATENT DOCUMENTS

2,004,574 A \* 6/1935 Gee, Jr. .... B05B 7/2408  
220/314

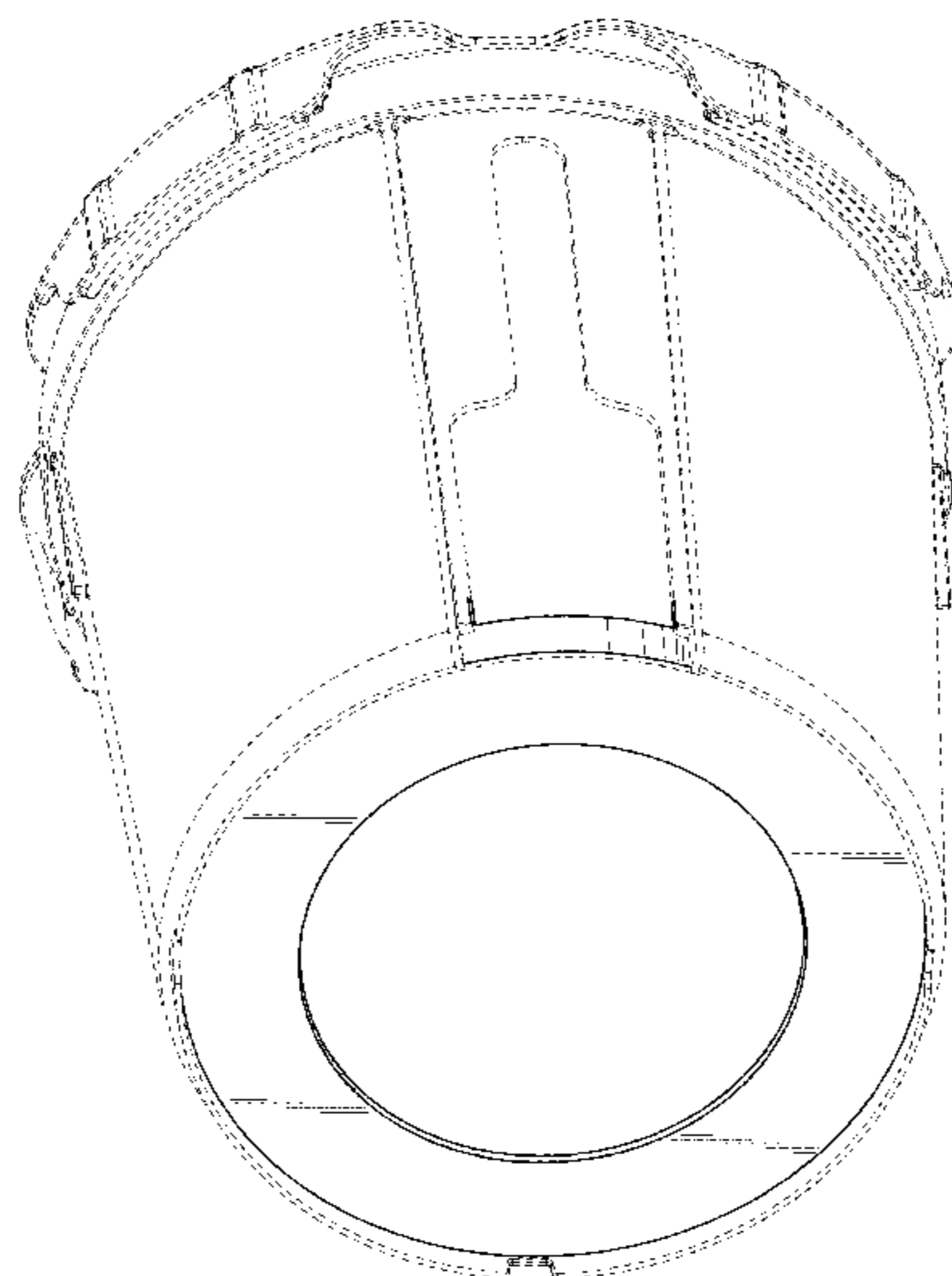
3,271,059 A 9/1966 Pearson

5,150,804 A 9/1992 Blanchet et al.

5,240,133 A 8/1993 Thomas, Jr.

6,053,429 A \* 4/2000 Chang ..... B05B 7/2413  
215/325

**1 Claim, 7 Drawing Sheets**



(56)

References Cited

U.S. PATENT DOCUMENTS

6,953,155 B2 \* 10/2005 Joseph ..... B05B 7/241  
222/105  
7,036,752 B1 \* 5/2006 Hsiang ..... B05B 7/2408  
239/290  
7,083,119 B2 \* 8/2006 Bouic ..... B05B 7/2408  
239/345  
D574,926 S \* 8/2008 Huang ..... D23/225  
7,410,106 B2 \* 8/2008 Escoto, Jr. .... B05B 7/2481  
239/320  
7,416,140 B2 \* 8/2008 Camilleri ..... B05B 7/2478  
222/105  
7,513,443 B2 \* 4/2009 Escoto, Jr. .... B05B 7/241  
215/11.1  
7,694,896 B2 \* 4/2010 Turnbull ..... B05B 7/2478  
239/11  
7,789,324 B2 \* 9/2010 Bouic ..... B05B 7/2478  
239/290  
7,819,341 B2 \* 10/2010 Schmon ..... B05B 7/2478  
222/105  
8,016,209 B2 \* 9/2011 Hess ..... A01M 1/2044  
239/102.1  
8,033,413 B2 \* 10/2011 Gerson ..... B05B 7/2408  
220/315  
8,066,205 B2 \* 11/2011 Bass ..... B05B 7/066  
239/337  
8,127,963 B2 \* 3/2012 Gerson ..... B05B 7/2408  
220/495.02  
8,196,770 B2 6/2012 Kosmyrna et al.  
8,444,067 B2 \* 5/2013 Schmon ..... B05B 7/2478  
239/302  
D692,530 S \* 10/2013 Gehrung ..... D23/225  
D697,583 S \* 1/2014 Schmon ..... D23/225  
8,925,836 B2 \* 1/2015 Dettlaff ..... B05B 7/2478  
215/357  
9,174,231 B2 11/2015 Shultz et al.

9,227,208 B2 \* 1/2016 Lin ..... B05B 7/2408  
D792,556 S \* 7/2017 Hegdahl ..... D23/225  
9,815,076 B2 \* 11/2017 Schulz ..... B05B 7/2478  
2005/0092770 A1 5/2005 Yechouron  
2006/0251473 A1 11/2006 Tyski  
2007/0158348 A1 7/2007 Kosmyrna et al.  
2012/0000992 A1 1/2012 Shih  
2013/0186981 A1 7/2013 Bums  
2013/0221130 A1 8/2013 Joseph et al.  
2014/0178126 A1 6/2014 Bums

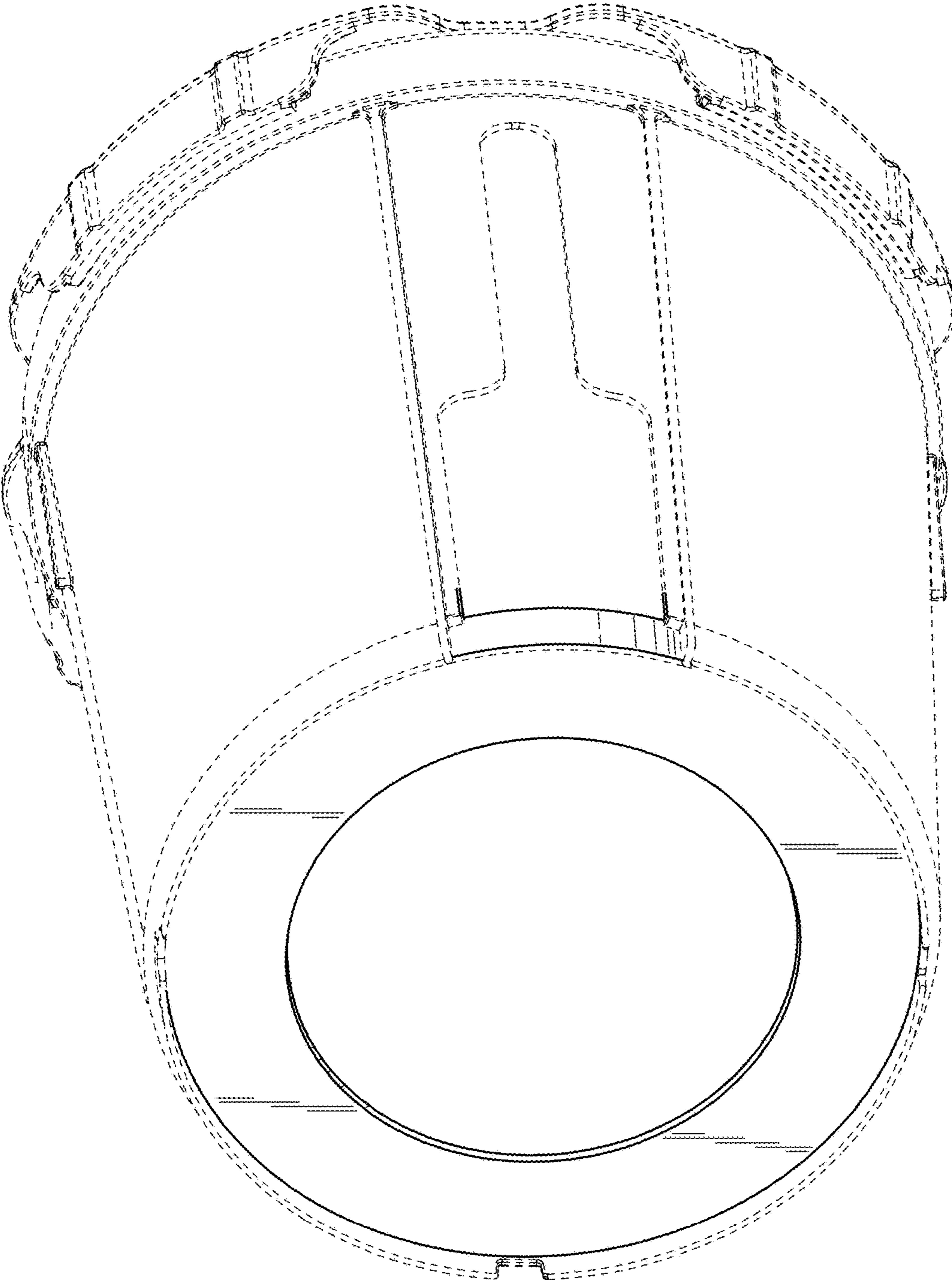
FOREIGN PATENT DOCUMENTS

DE	102009034715	1/2011
JP	3052058	9/1998
WO	98/32539	7/1998
WO	03/045575	6/2003
WO	2004/052552	6/2004
WO	2005/018815	3/2005
WO	2008/156357	12/2008
WO	2009/090273	7/2009
WO	2014/182722	11/2014
WO	2014/182871	11/2014

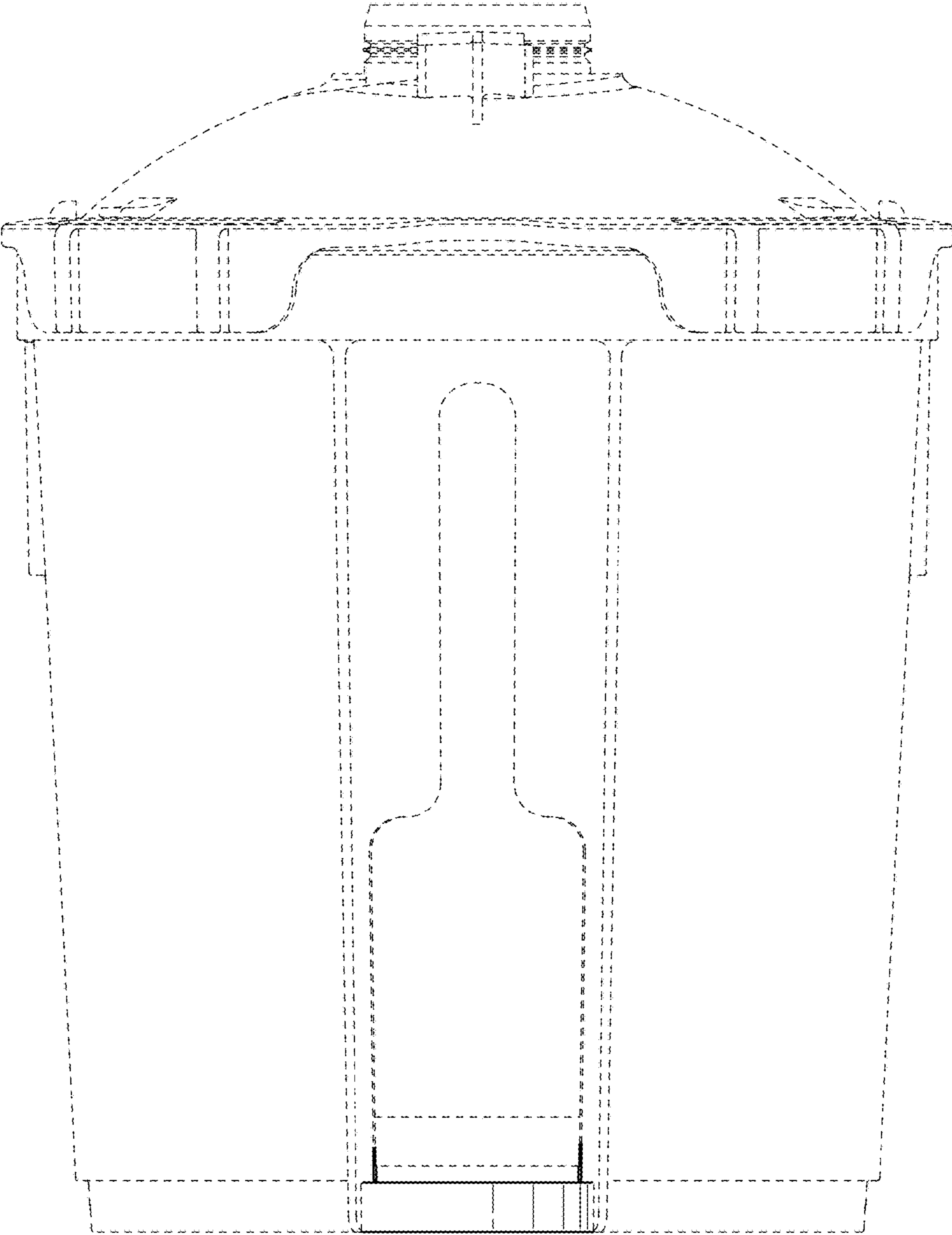
OTHER PUBLICATIONS

Graco, "XFORCE HD, Heavy Duty Cordless Airless Sprayer Optimized for Protective and Marine Coatings", 2012, 4 pgs.  
Rummy Recycling Technologies Inc., "Paint & Solvent Solutions" Photograph, scanned in Feb. 2006.  
Rummy Recycling Technologies Inc., "Paint & Solvent Solutions" brochure with price list, 2004.  
Yotoriyama "Coating with Paint of Partner," pages from catalog, 2000.  
Ebertowski et al., U.S. Provisional Patent Application for "Button-Lock Fluid Connector for Hand-Held Spray Guns," filed Jan. 15, 2016.

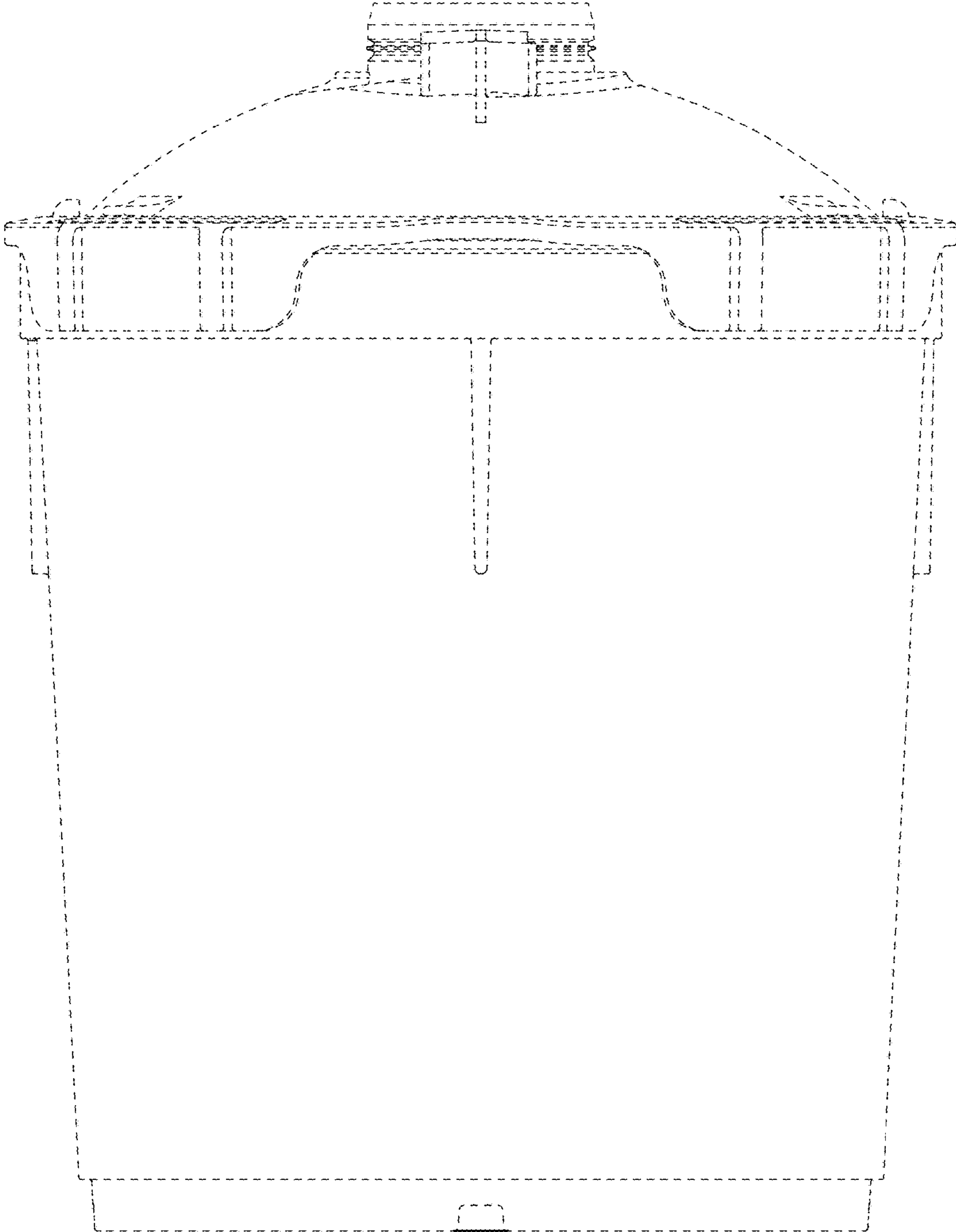
\* cited by examiner



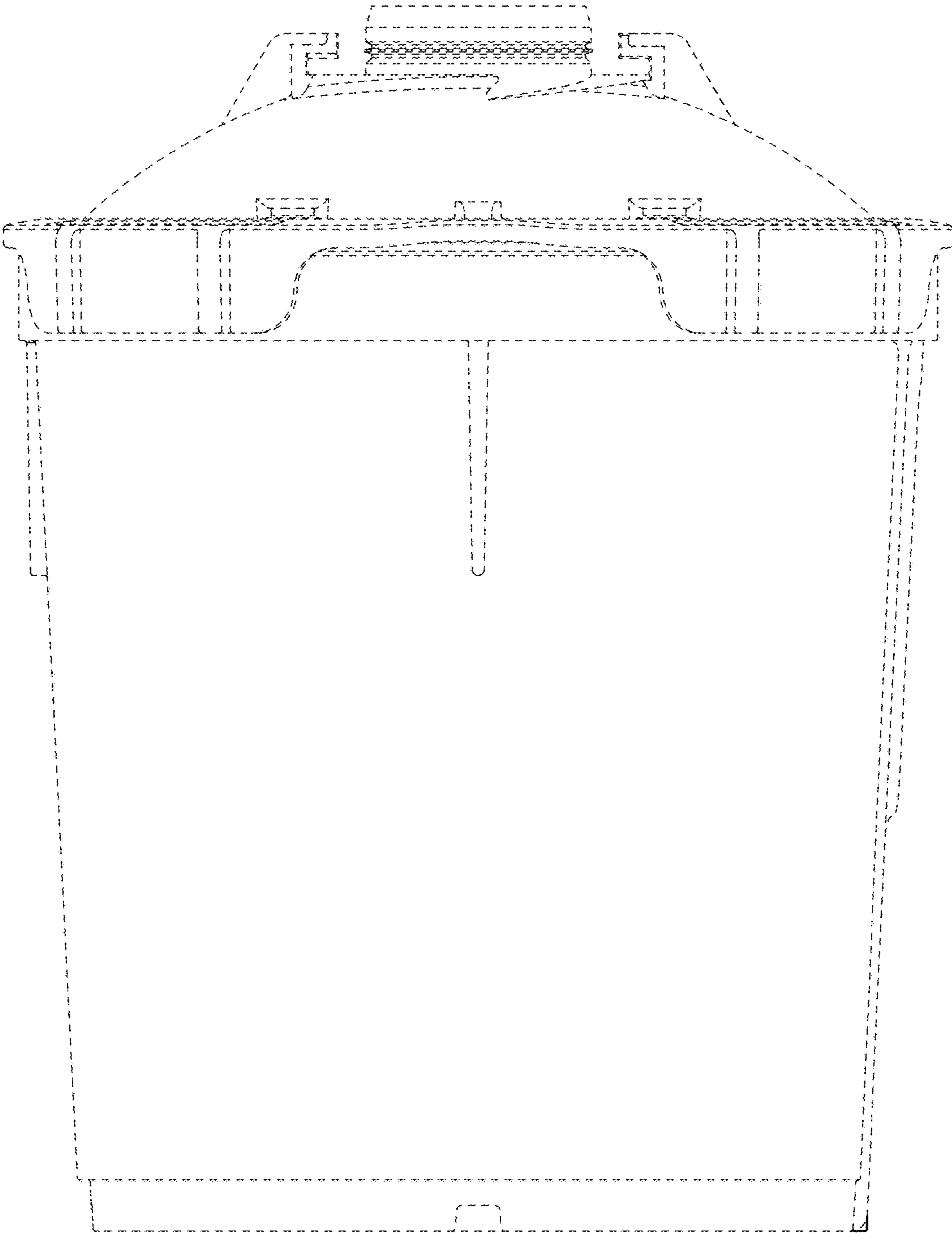
*Fig. 1*



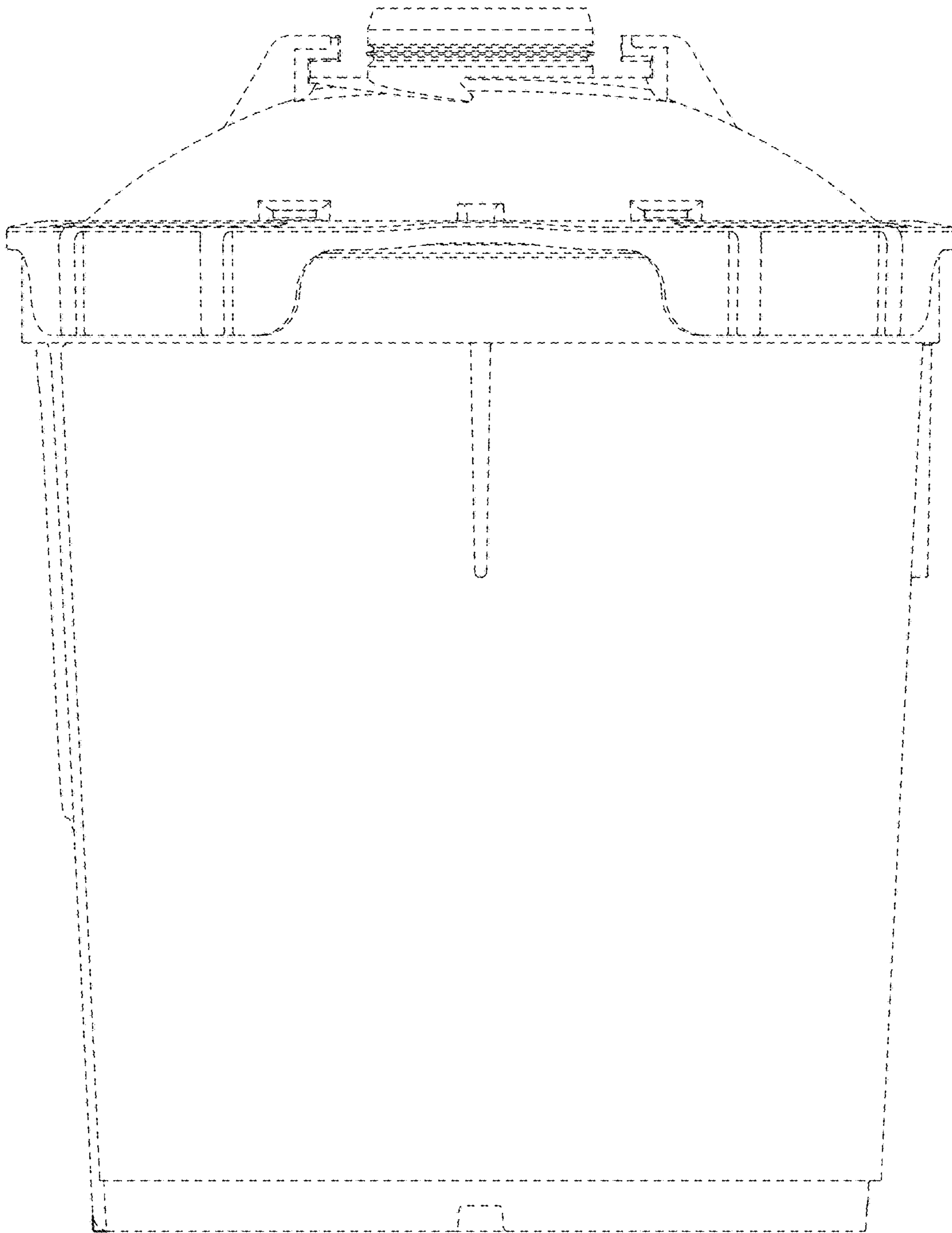
*Fig. 2*



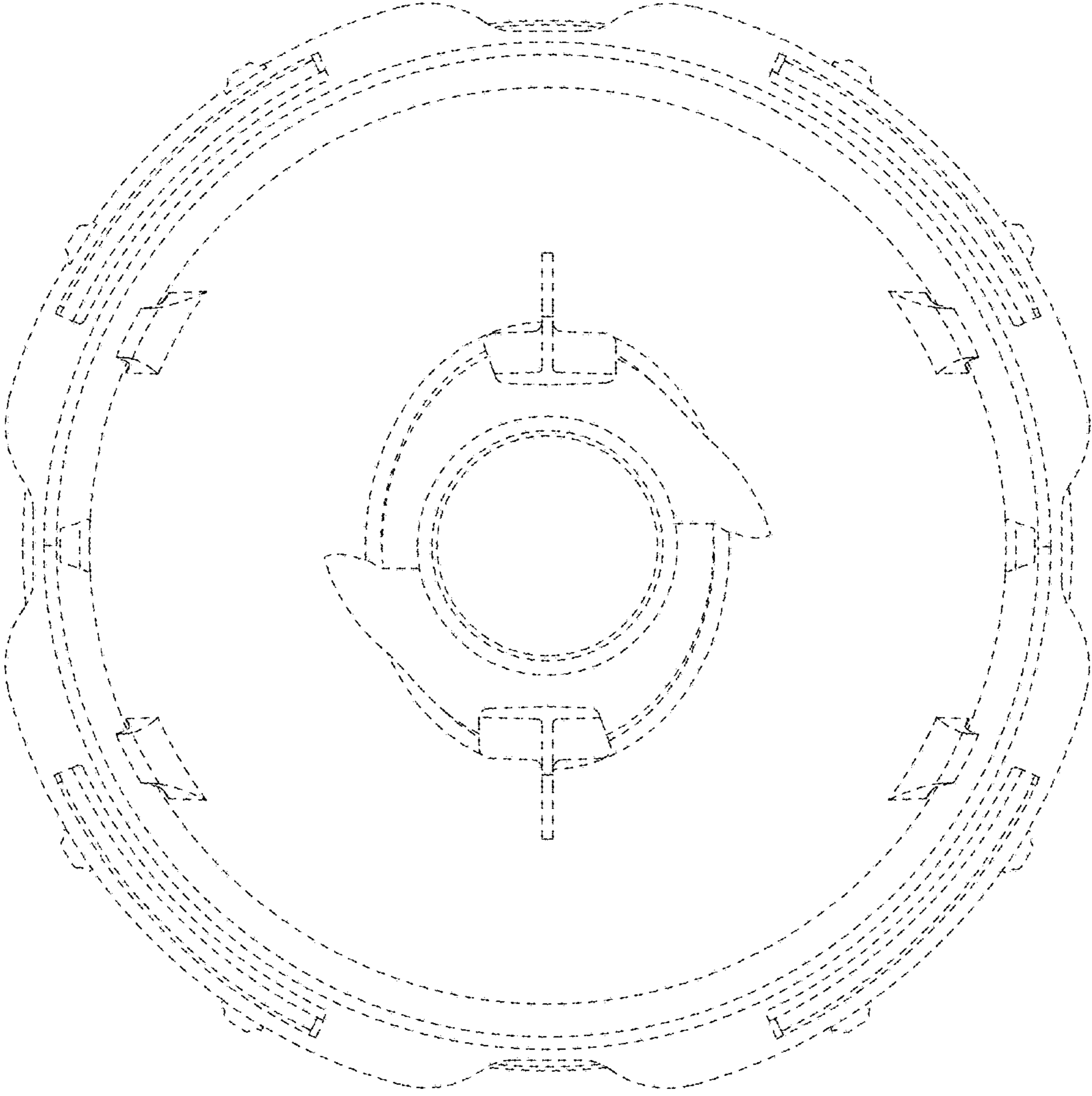
*Fig. 3*



*Fig. 4*

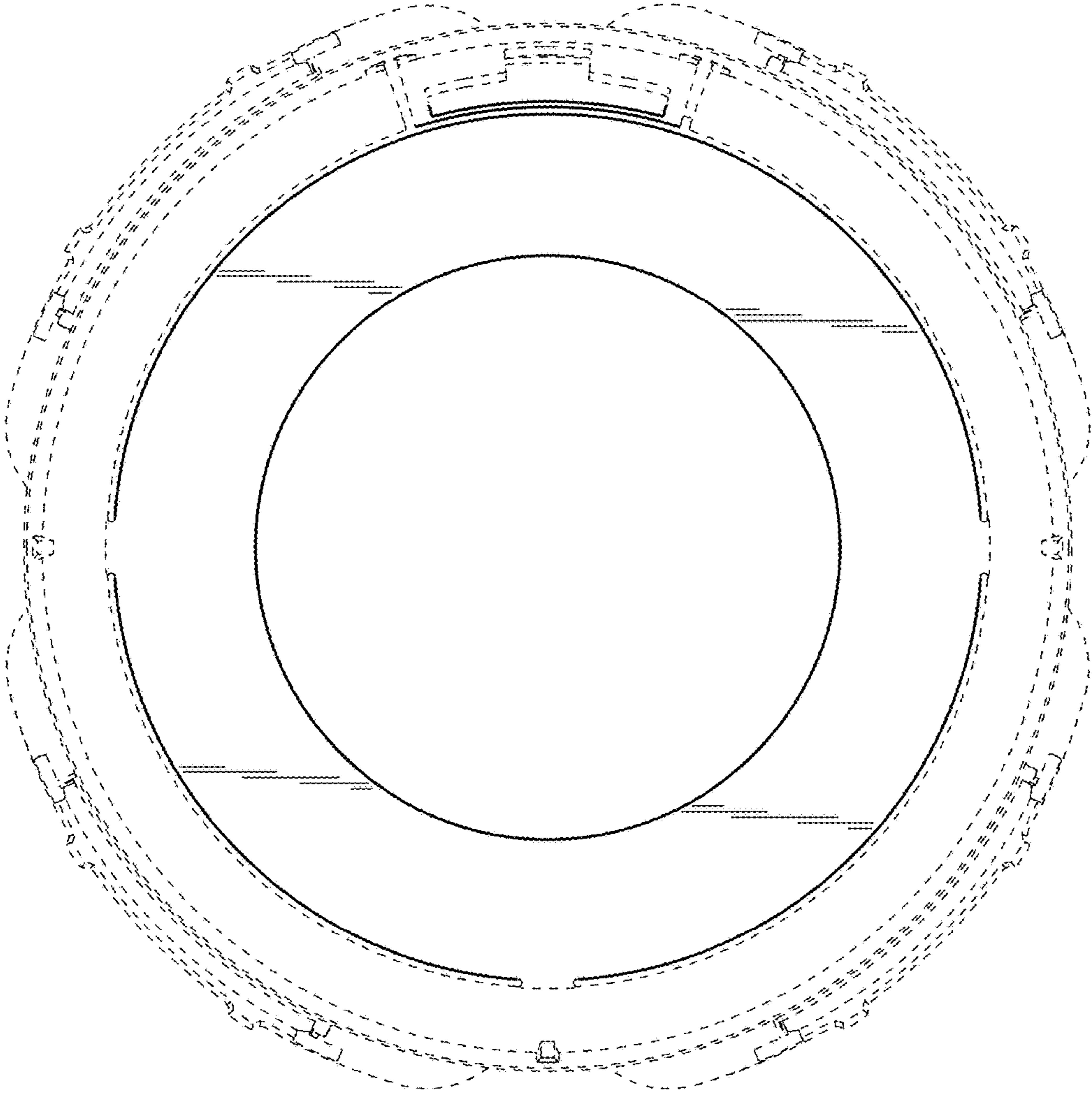


*Fig. 5*



*Fig. 6*





*Fig. 7*