

US00D810865S

(12) **United States Design Patent** (10) **Patent No.:** **US D810,865 S**
Hegdahl et al. (45) **Date of Patent:** **** Feb. 20, 2018**

(54) **SPRAY GUN LIQUID CONTAINMENT DEVICE**

6,595,441 B2 * 7/2003 Petrie B05B 7/2408
239/318

(71) Applicant: **3M INNOVATIVE PROPERTIES COMPANY**, St. Paul, MN (US)

6,662,411 B2 12/2003 Rubenstein et al.
6,953,155 B2 * 10/2005 Joseph B05B 7/241
222/105

(Continued)

(72) Inventors: **Anna M. Hegdahl**, Brooklyn Park, MN (US); **Alexander T. Ebertowski**, Burnsville, MN (US); **Scott D. Gullicks**, Woodbury, MN (US); **Stephen C. P. Joseph**, Woodbury, MN (US); **Dominic M. Pitera**, San Francisco, CA (US)

FOREIGN PATENT DOCUMENTS

CA 2466801 12/2004
DE 8902223.8 5/1989

(Continued)

OTHER PUBLICATIONS

(73) Assignee: **3M INNOVATIVE PROPERTIES COMPANY**, Saint Paul, MN (US)

Graco, "CanConnect-Handheld 1 Quart Can Adapter," Feb. 2014, 2pgs.

(Continued)

(**) Term: **15 Years**

Primary Examiner — Robin V Webster

(21) Appl. No.: **29/587,193**

(74) *Attorney, Agent, or Firm* — Aleksander Medved

(22) Filed: **Dec. 12, 2016**

(51) **LOC (11) Cl.** **23-01**

(52) **U.S. Cl.**
USPC **D23/225**

(58) **Field of Classification Search**
USPC D23/213, 225; 222/567-570; 239/302,
239/310

CPC B05B 7/241; B05B 7/2408; B05B 7/2478;
B65D 47/06

See application file for complete search history.

(57) **CLAIM**

The ornamental design for a spray gun liquid containment device, as shown and described.

DESCRIPTION

FIG. 1 is a perspective view of a new design for a spray gun liquid containment device that has a window that allows the user to visually ascertain the amount of liquid present in the device.

FIG. 2 is a front view thereof;
FIG. 3 is a rear view thereof;
FIG. 4 is a left side view thereof;
FIG. 5 is a right side view thereof;
FIG. 6 is a top view thereof; and,
FIG. 7 is a bottom view thereof.

The broken line showing of portions of the spray gun liquid containment device is included for the purpose of illustrating and forms no part of the claimed design.

(56) **References Cited**

U.S. PATENT DOCUMENTS

2,004,574 A * 6/1935 Gee, Jr. B05B 7/2408
220/314

3,271,059 A 9/1966 Pearson

5,150,804 A 9/1992 Blanchet et al.

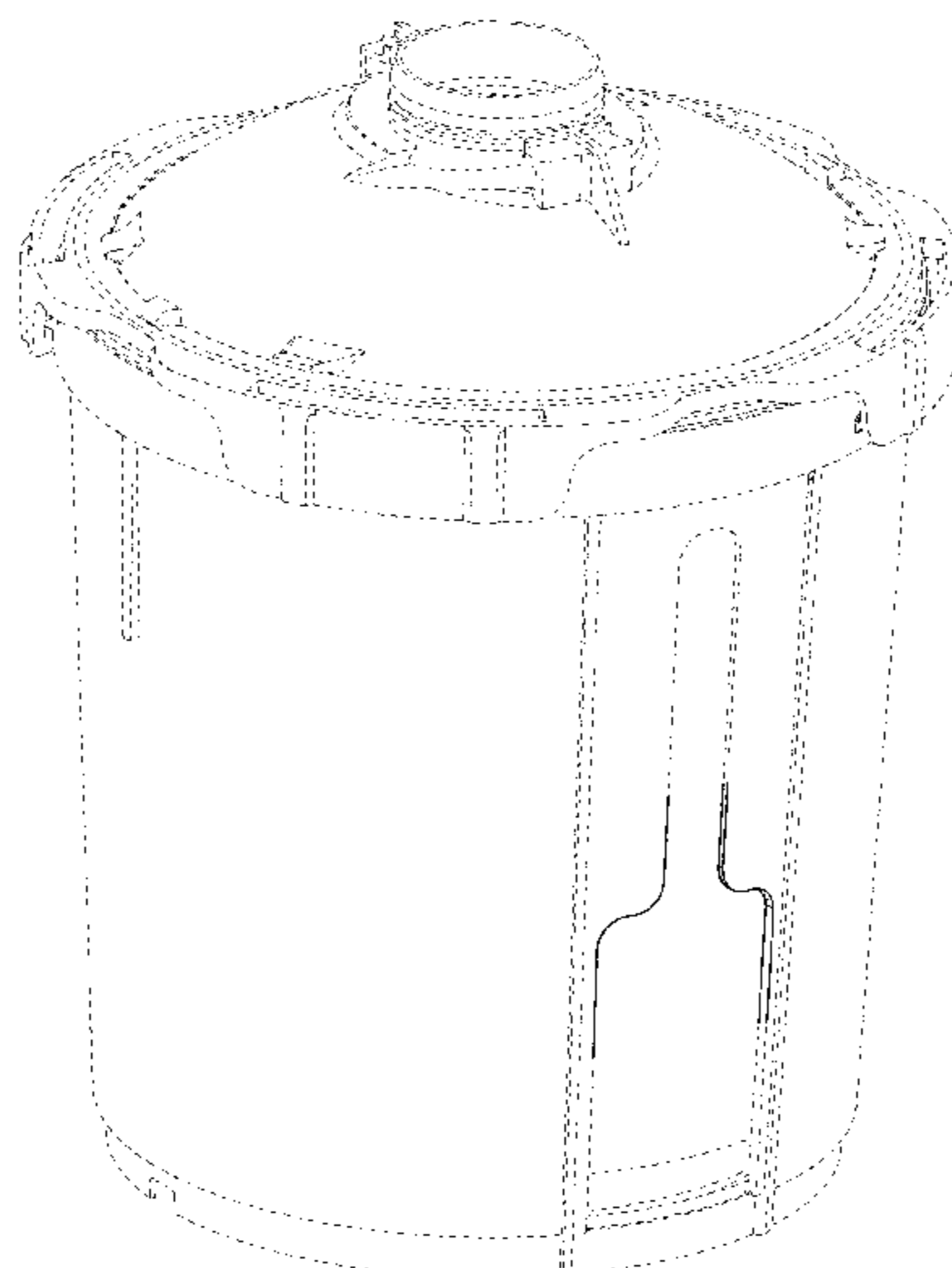
5,240,133 A 8/1993 Thomas, Jr.

6,053,429 A * 4/2000 Chang B05B 7/2413

215/325

D474,528 S * 5/2003 Huang D23/225

1 Claim, 7 Drawing Sheets



(56)

References Cited

U.S. PATENT DOCUMENTS

7,036,752 B1 * 5/2006 Hsiang B05B 7/2408
 239/290
 7,083,119 B2 * 8/2006 Bouic B05B 7/2408
 239/345
 D574,926 S * 8/2008 Huang D23/225
 7,410,106 B2 * 8/2008 Escoto, Jr. B05B 7/2481
 239/320
 7,416,140 B2 * 8/2008 Camilleri B05B 7/2478
 222/105
 7,513,443 B2 * 4/2009 Escoto, Jr. B05B 7/241
 215/11.1
 7,694,896 B2 * 4/2010 Turnbull B05B 7/2478
 239/11
 7,789,324 B2 * 9/2010 Bouic B05B 7/2478
 239/290
 7,819,341 B2 * 10/2010 Schmon B05B 7/2478
 222/105
 8,016,209 B2 * 9/2011 Hess A01M 1/2044
 239/102.1
 8,033,413 B2 * 10/2011 Gerson B05B 7/2408
 220/315
 8,066,205 B2 * 11/2011 Bass B05B 7/066
 239/337
 8,127,963 B2 * 3/2012 Gerson B05B 7/2408
 220/495.02
 8,196,770 B2 6/2012 Kosmyna et al.
 8,444,067 B2 * 5/2013 Schmon B05B 7/2478
 239/302
 D692,530 S * 10/2013 Gehrung D23/225
 D697,583 S * 1/2014 Schmon D23/225
 8,925,836 B2 * 1/2015 Dettlaff B05B 7/2478
 215/357
 9,174,231 B2 11/2015 Shultz et al.
 9,227,208 B2 * 1/2016 Lin B05B 7/2408

D792,556 S * 7/2017 Hegdahl D23/225
 9,815,076 B2 * 11/2017 Schulz B05B 7/2478
 2005/0092770 A1 5/2005 Yechouron
 2006/0251473 A1 11/2006 Tyski
 2007/0158348 A1 7/2007 Kosmyna et al.
 2012/0000992 A1 1/2012 Shih
 2013/0186981 A1 7/2013 Burns
 2013/0221130 A1 8/2013 Joseph et al.
 2014/0178126 A1 6/2014 Burns

FOREIGN PATENT DOCUMENTS

| | | |
|----|----------------|---------|
| DE | 102009034715 | 1/2011 |
| JP | 3052058 | 9/1998 |
| WO | WO 98/32539 | 7/1998 |
| WO | WO 03/045575 | 6/2003 |
| WO | WO 2004/052552 | 6/2004 |
| WO | WO 2005/018815 | 3/2005 |
| WO | WO 2008/156357 | 12/2008 |
| WO | WO 2014/182722 | 11/2014 |
| WO | WO 2014/182871 | 11/2014 |

OTHER PUBLICATIONS

Graco, "XForce HD, Heavy Duty Cordless Airless Sprayer Optimized for Protective and Marine Coatings", 2012, 4 pgs.
 Rummy Recycling Technologies Inc., "Paint & Solvent Solutions" Photograph, scanned in Feb. 2006.
 Rummy Recycling Technologies Inc., "Paint & Solvent Solutions" brochure with price list, 2004.
 Yotoriyama "Coating with Paint of Partner," pages from catalog, 2000.
 Ebertowski et al., U.S. Provisional Patent Application for "Button-Lock Fluid Connector for Hand-Held Spray Guns," filed Jan. 15, 2016.

* cited by examiner

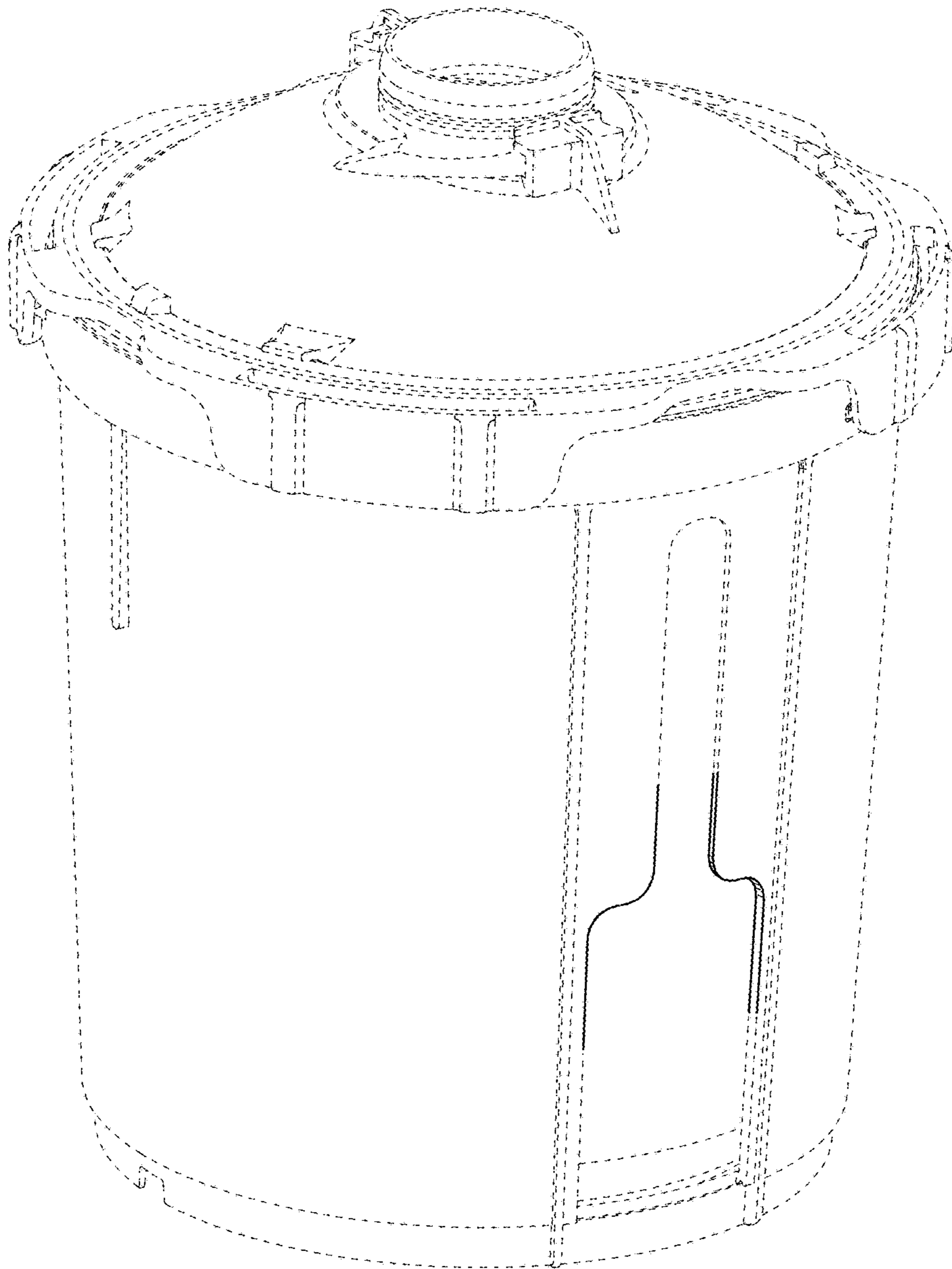


Fig. 1

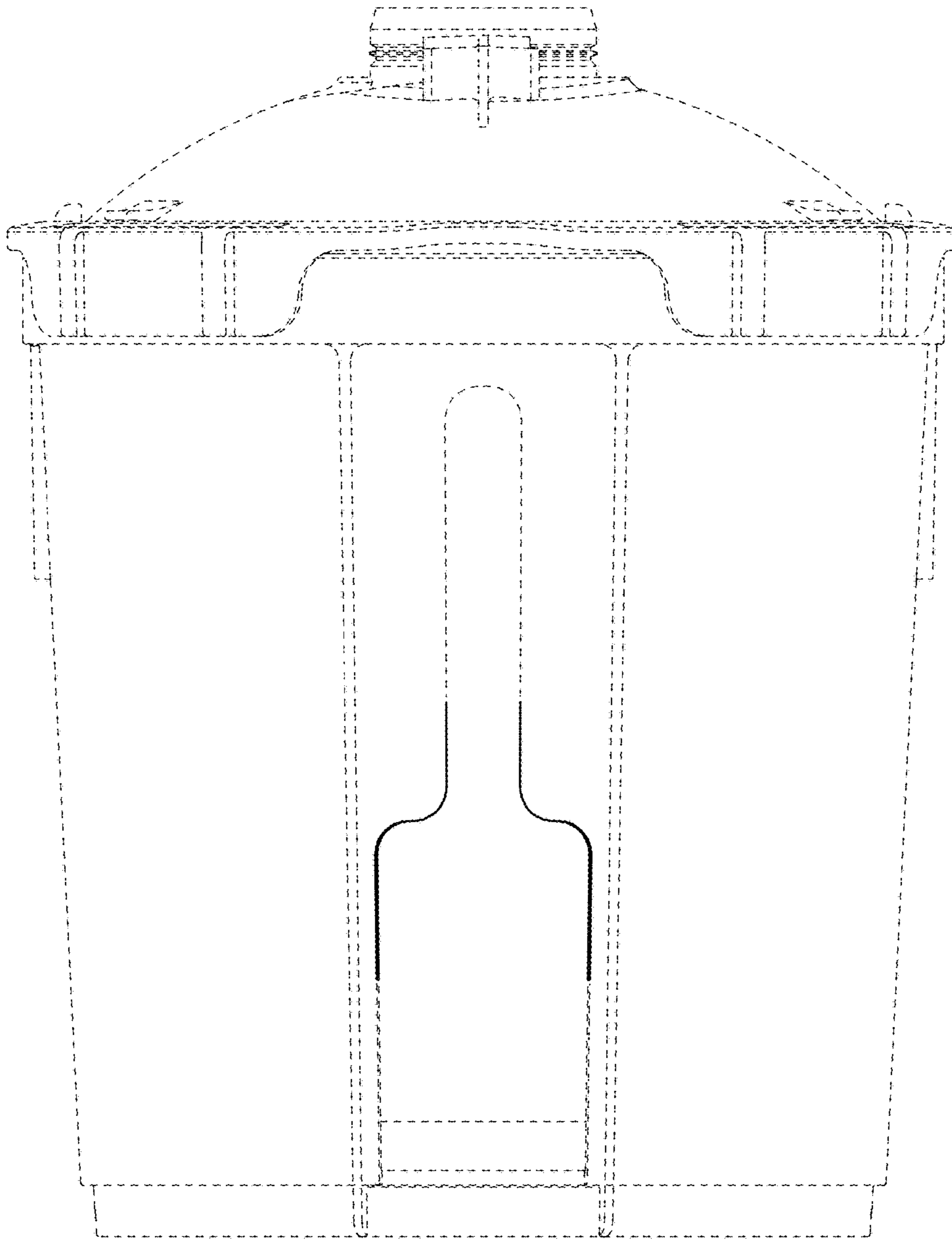


Fig. 2

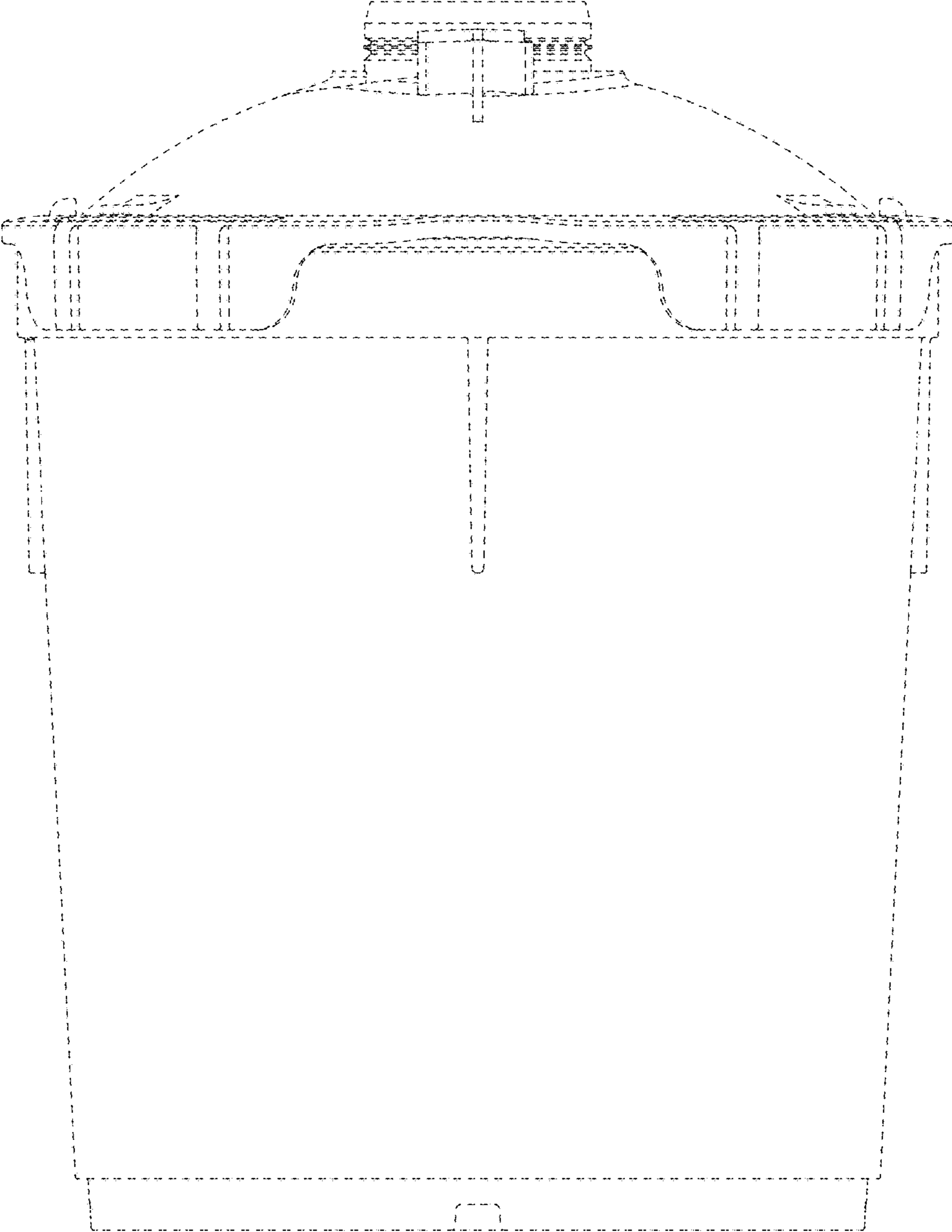


Fig. 3

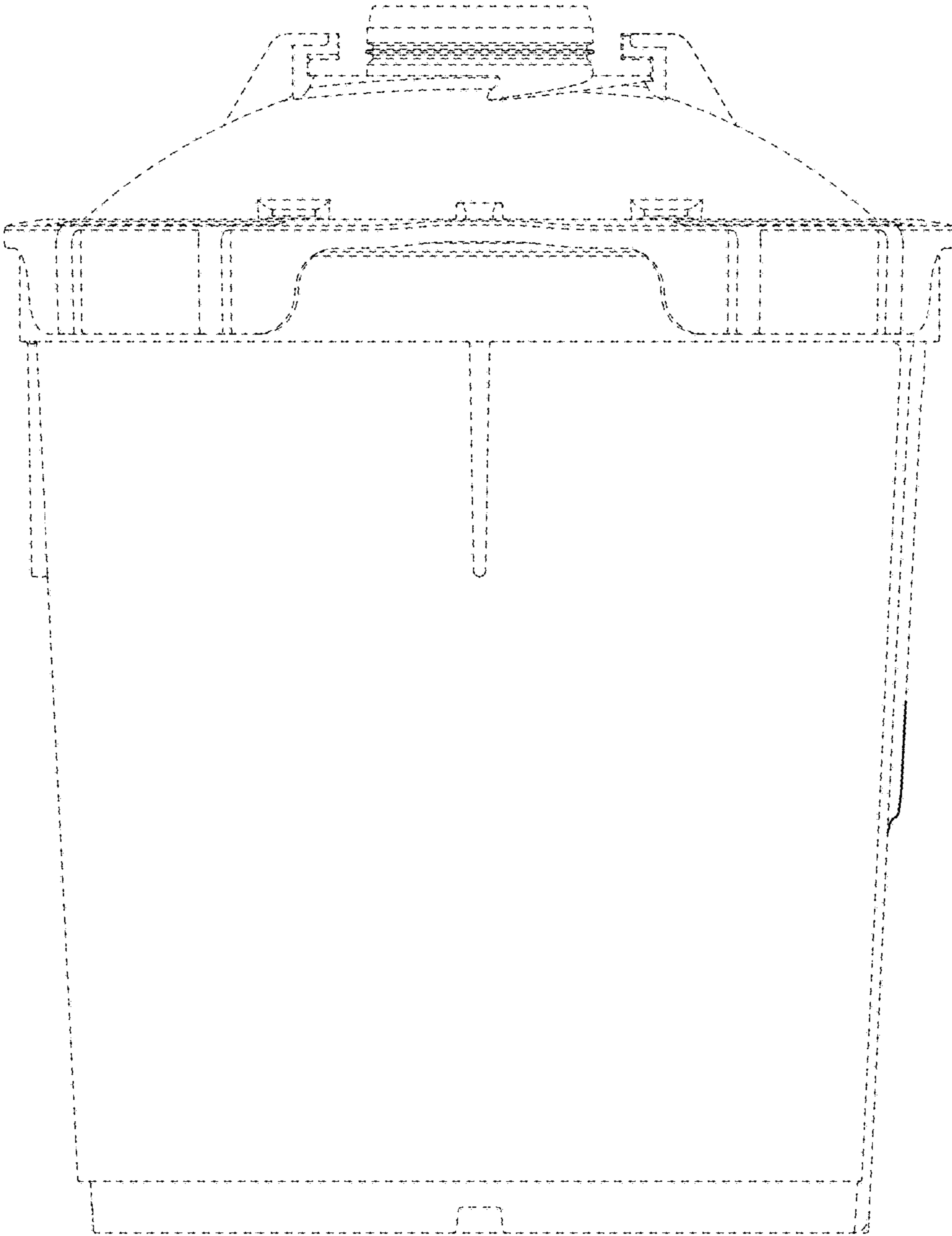


Fig. 4

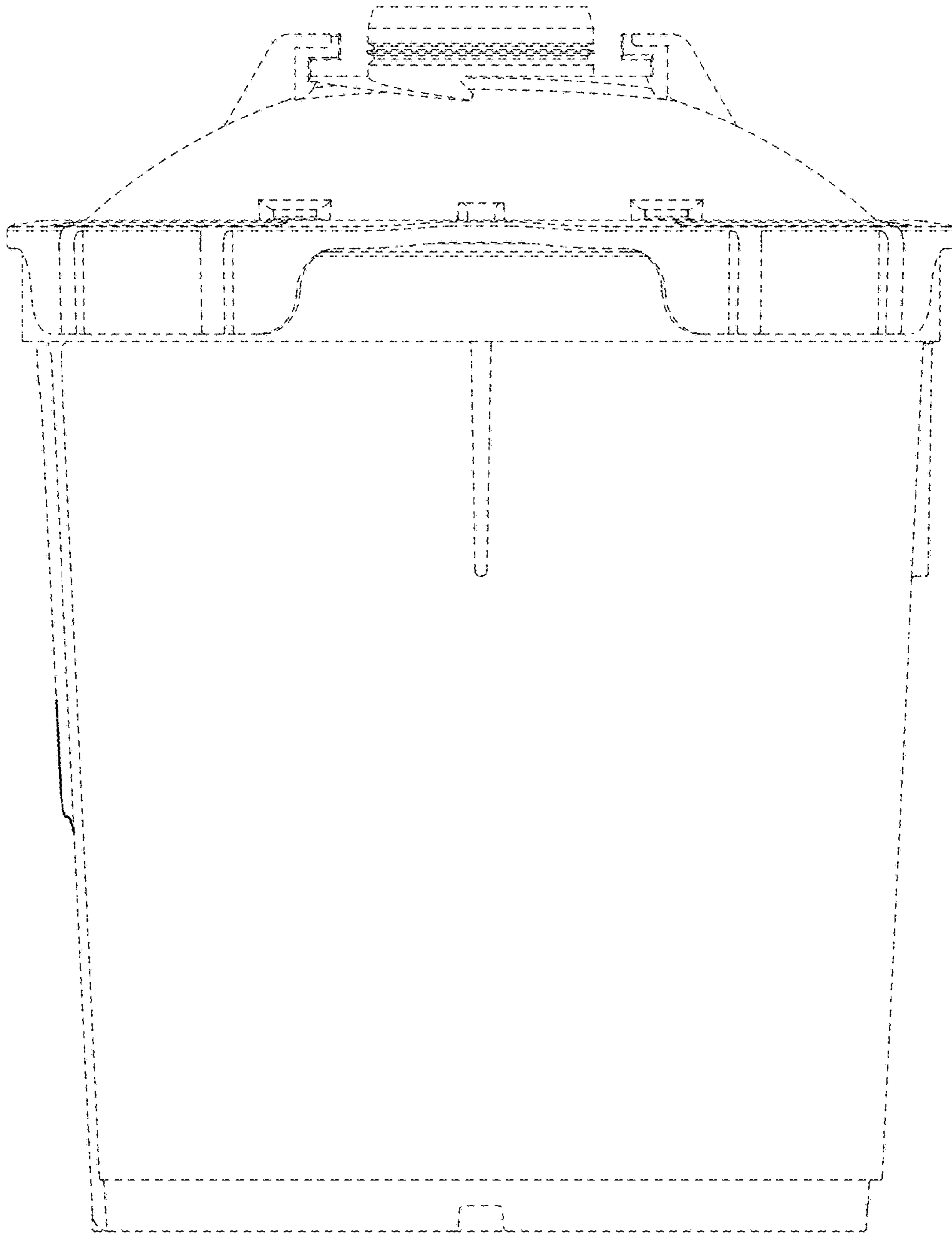


Fig. 5

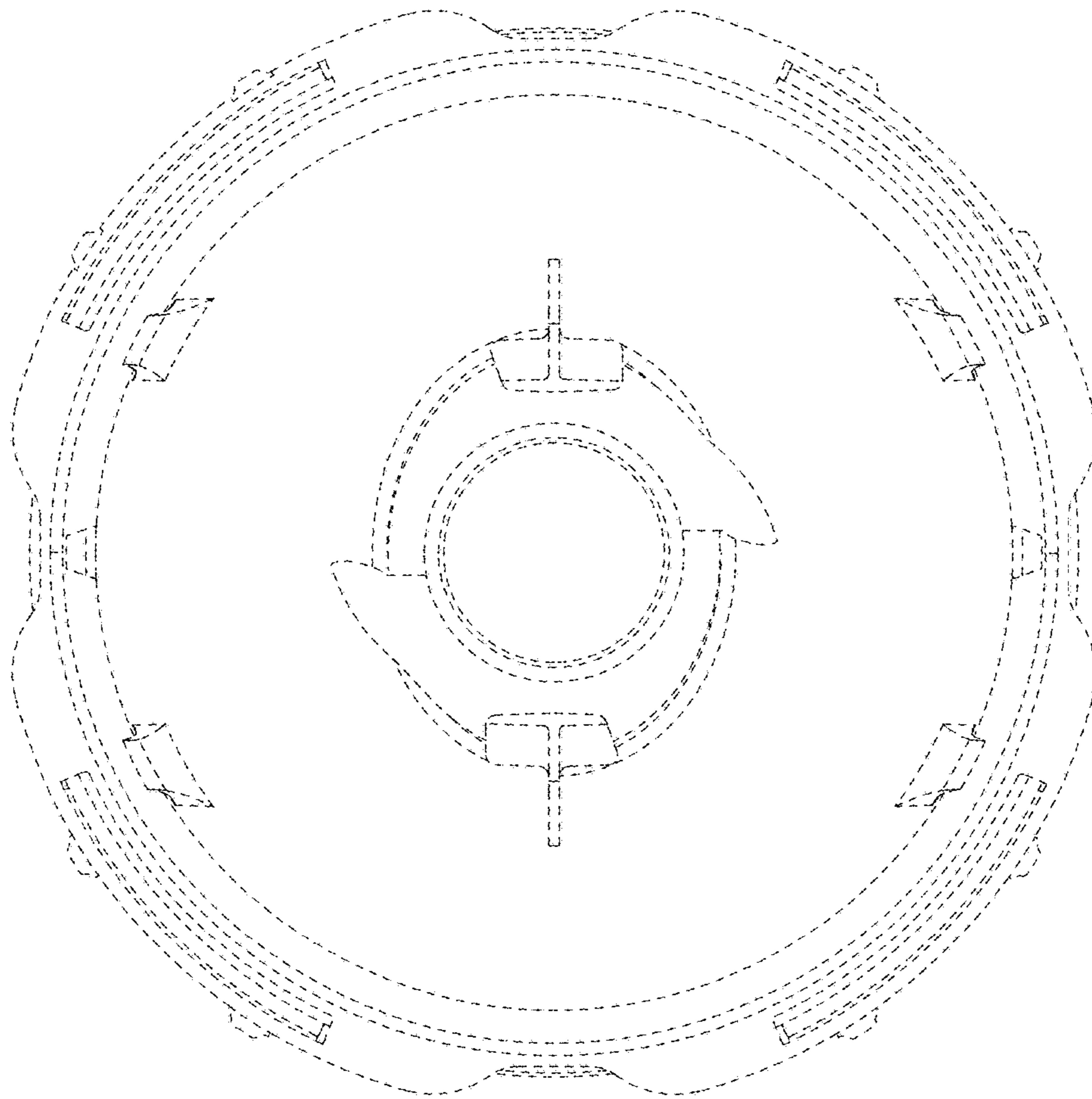


Fig. 6

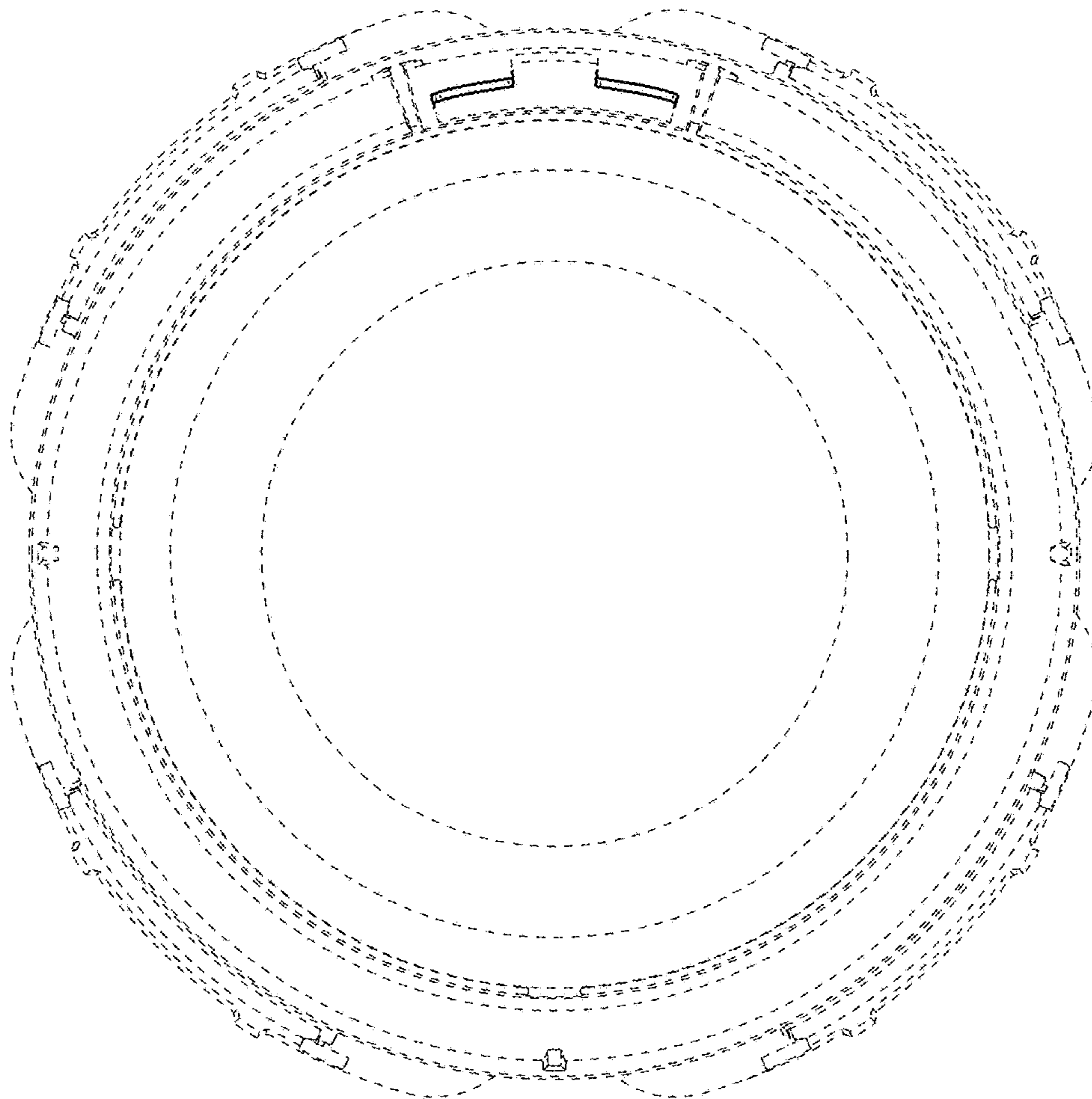


Fig. 7