



US00D810862S

(12) **United States Design Patent**  
**Ebertowski et al.**

(10) **Patent No.:** **US D810,862 S**  
(45) **Date of Patent:** **\*\* Feb. 20, 2018**

(54) **SPRAY GUN LIQUID CONTAINMENT DEVICE**

(71) Applicant: **3M INNOVATIVE PROPERTIES COMPANY**, St. Paul, MN (US)

(72) Inventors: **Alexander T. Ebertowski**, Burnsville, MN (US); **Brian S. Boothman**, San Jose, CA (US); **Scott D. Gullicks**, Woodbury, MN (US); **Anna M. Hegdahl**, Brooklyn Park, MN (US); **Andrew R. Henry**, Loughborough (GB); **Stephen C. P. Joseph**, Woodbury, MN (US)

(73) Assignee: **3M INNOVATIVE PROPERTIES COMPANY**, Saint Paul, MN (US)

(\*\*) Term: **15 Years**

(21) Appl. No.: **29/587,185**

(22) Filed: **Dec. 12, 2016**

(51) **LOC (11) Cl.** ..... **23-01**

(52) **U.S. Cl.**  
USPC ..... **D23/225**

(58) **Field of Classification Search**  
USPC ..... D23/213, 225; 222/567-570; 239/302, 239/310  
CPC ..... B05B 7/241; B05B 7/2408; B05B 7/2478; B65D 47/06  
See application file for complete search history.

(56) **References Cited**

**U.S. PATENT DOCUMENTS**

- 2,004,574 A \* 6/1935 Gee, Jr. .... B05B 7/2408 220/314
- 3,271,059 A 9/1966 Pearson
- 5,150,804 A 9/1992 Blanchet et al.
- 5,240,133 A 8/1993 Thomas, Jr.

- 6,053,429 A \* 4/2000 Chang ..... B05B 7/2413 215/325
  - D474,528 S \* 5/2003 Huang ..... D23/225
  - 6,595,441 B2 \* 7/2003 Petrie ..... B05B 7/2408 239/318
  - 6,662,411 B2 12/2003 Rubenstein et al.
  - 6,953,155 B2 \* 10/2005 Joseph ..... B05B 7/241 222/105
  - 7,036,752 B1 \* 5/2006 Hsiang ..... B05B 7/2408 239/290
  - 7,083,119 B2 \* 8/2006 Bouic ..... B05B 7/2408 239/345
  - D574,926 S \* 8/2008 Huang ..... D23/225
- (Continued)

**FOREIGN PATENT DOCUMENTS**

- CA 2466801 12/2004
  - DE 8902223.8 5/1989
- (Continued)

*Primary Examiner* — Robin V Webster

(74) *Attorney, Agent, or Firm* — Aleksander Medved

(57) **CLAIM**

The ornamental design for a spray gun liquid containment device, as shown and described.

**DESCRIPTION**

FIG. 1 is a perspective view of a new design for a spray gun liquid containment device that has a stop for a rotational engagement apparatus.

FIG. 2 is a front view thereof;

FIG. 3 is a rear view thereof;

FIG. 4 is a left side view thereof;

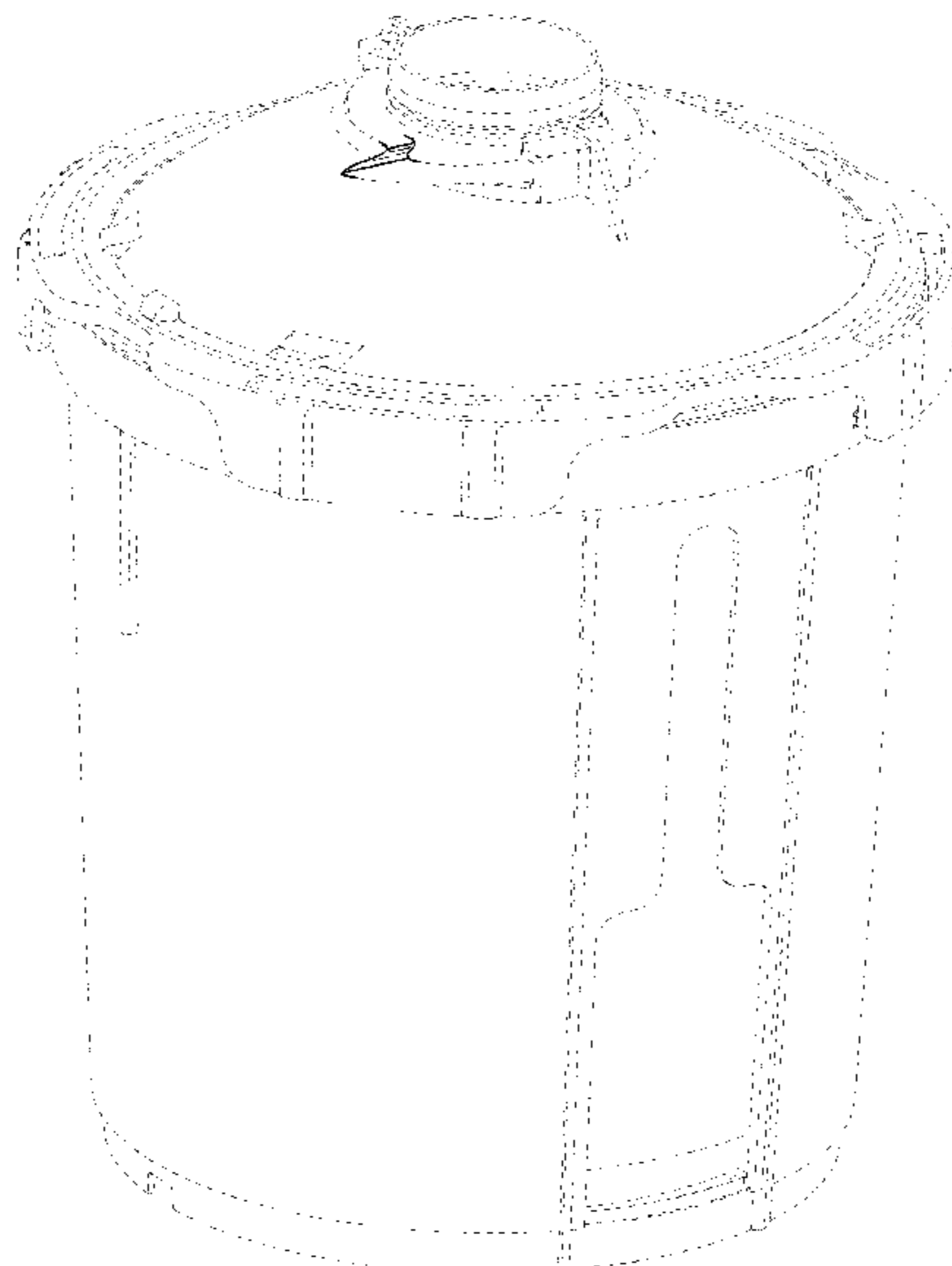
FIG. 5 is a right side view thereof;

FIG. 6 is a top view thereof; and,

FIG. 7 is a bottom view thereof.

The broken line showing of portions of the spray gun liquid containment device is included for the purpose of illustrating and forms no part of the claimed design.

**1 Claim, 7 Drawing Sheets**



(56)

References Cited

U.S. PATENT DOCUMENTS

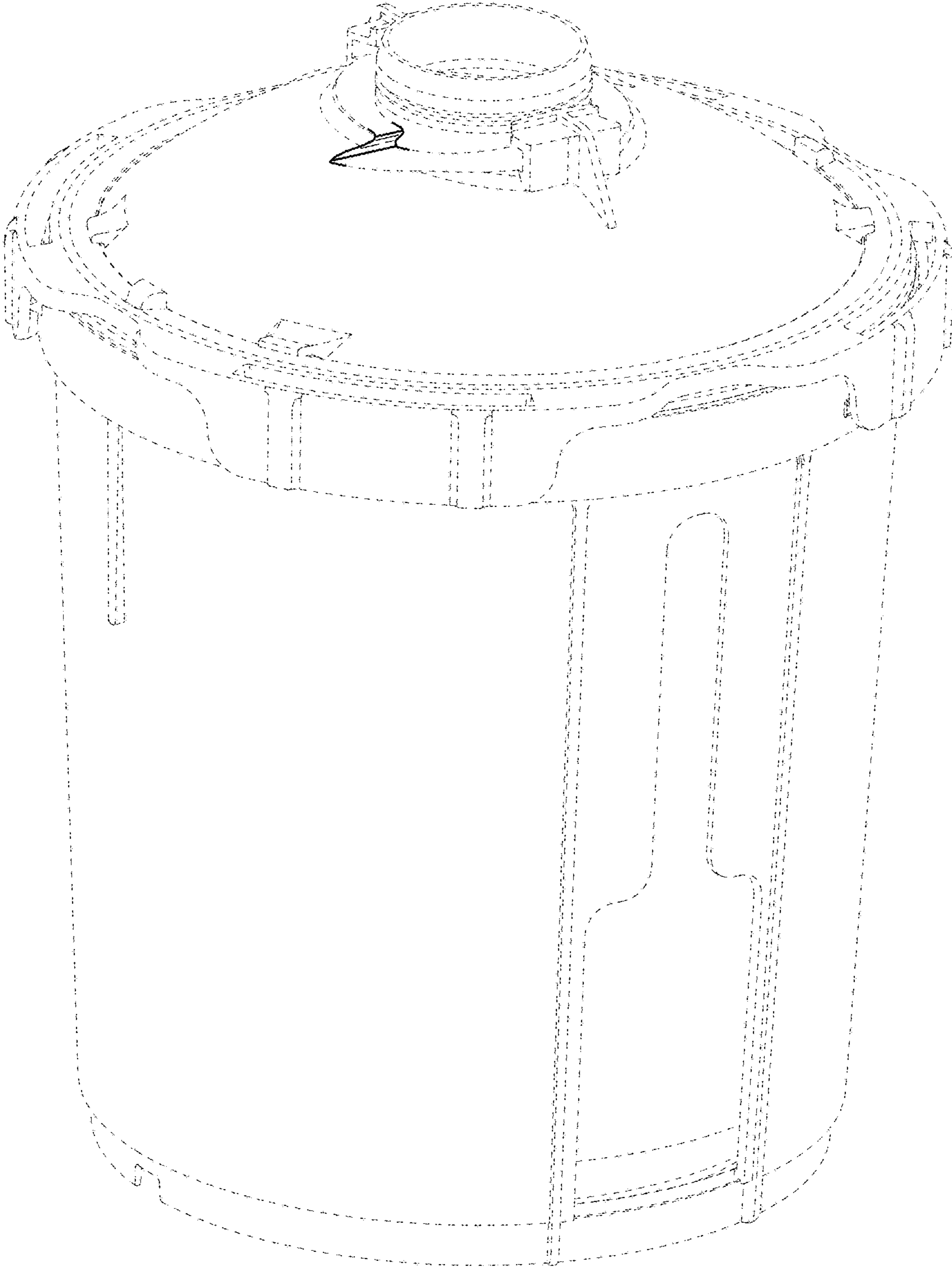
7,410,106 B2 \* 8/2008 Escoto, Jr. .... B05B 7/2481  
239/320  
7,416,140 B2 \* 8/2008 Camilleri ..... B05B 7/2478  
222/105  
7,513,443 B2 \* 4/2009 Escoto, Jr. .... B05B 7/241  
215/11.1  
7,694,896 B2 \* 4/2010 Turnbull ..... B05B 7/2478  
239/11  
7,789,324 B2 \* 9/2010 Bouic ..... B05B 7/2478  
239/290  
7,819,341 B2 \* 10/2010 Schmon ..... B05B 7/2478  
222/105  
8,016,209 B2 \* 9/2011 Hess ..... A01M 1/2044  
239/102.1  
8,033,413 B2 \* 10/2011 Gerson ..... B05B 7/2408  
220/315  
8,066,205 B2 \* 11/2011 Bass ..... B05B 7/066  
239/337  
8,127,963 B2 \* 3/2012 Gerson ..... B05B 7/2408  
220/495.02  
8,196,770 B2 6/2012 Kosmyna et al.  
8,444,067 B2 \* 5/2013 Schmon ..... B05B 7/2478  
239/302

D692,530 S \* 10/2013 Gehrung ..... D23/225  
D697,583 S \* 1/2014 Schmon ..... D23/225  
8,925,836 B2 \* 1/2015 Dettlaff ..... B05B 7/2478  
215/357  
9,174,231 B2 11/2015 Shultz et al.  
9,227,208 B2 \* 1/2016 Lin ..... B05B 7/2408  
D792,556 S \* 7/2017 Hegdahl ..... D23/225  
9,815,076 B2 \* 11/2017 Schulz ..... B05B 7/2478  
2005/0156058 A1 7/2005 Kosmyna et al.  
2006/0175433 A1 8/2006 Escoto, Jr. et al.  
2006/0251473 A1 11/2006 Tyski  
2007/0158348 A1 7/2007 Kosmyna et al.  
2012/0000992 A1 1/2012 Shih  
2013/0186981 A1 7/2013 Burns  
2013/0221130 A1 8/2013 Joseph et al.  
2014/0178126 A1 6/2014 Burns

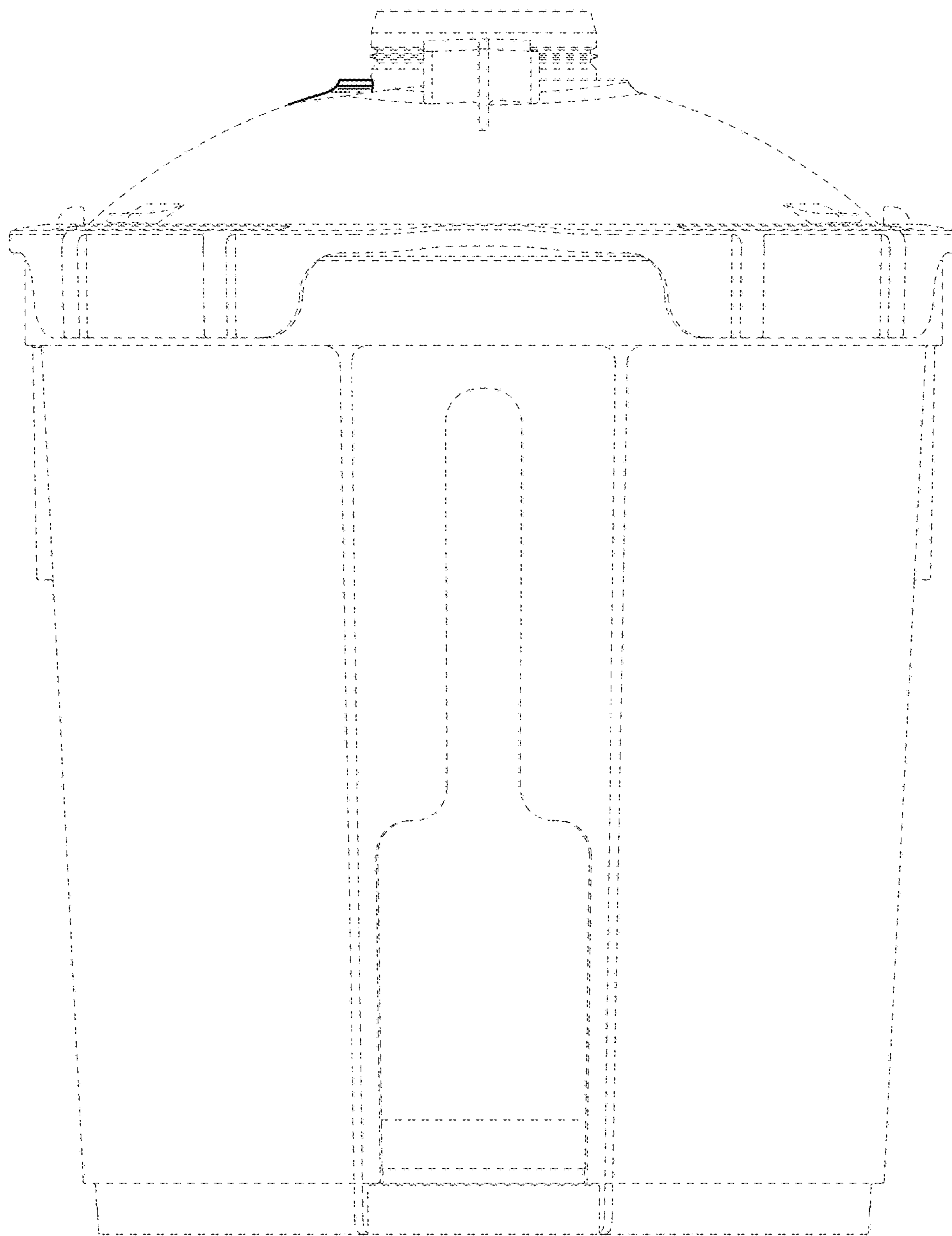
FOREIGN PATENT DOCUMENTS

DE	102009034715	1/2011
WO	98/32539	7/1998
WO	03/045575	6/2003
WO	2004/052552	6/2004
WO	2005/018815	3/2005
WO	2008/156357	12/2008
WO	2014/182722	11/2014

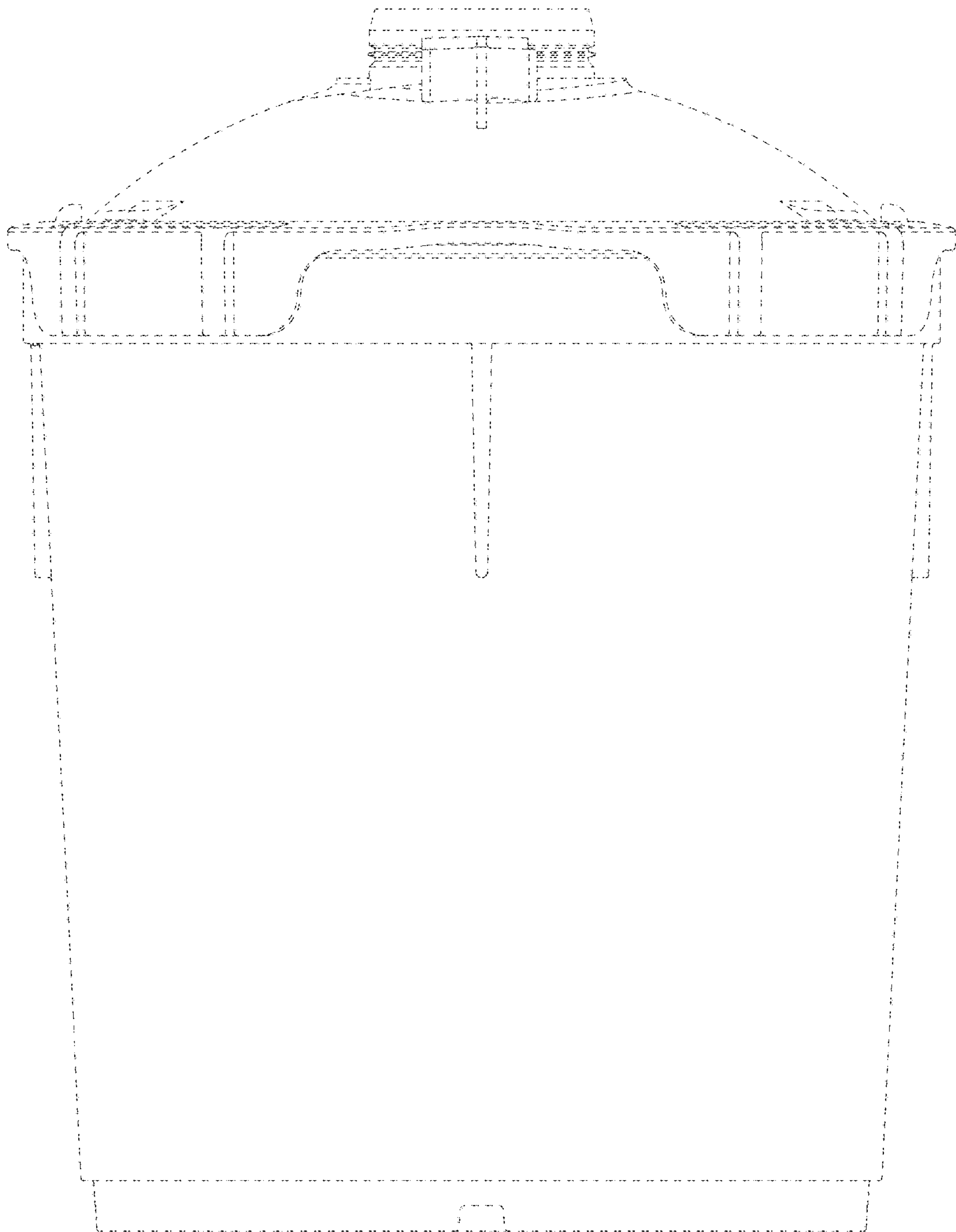
\* cited by examiner



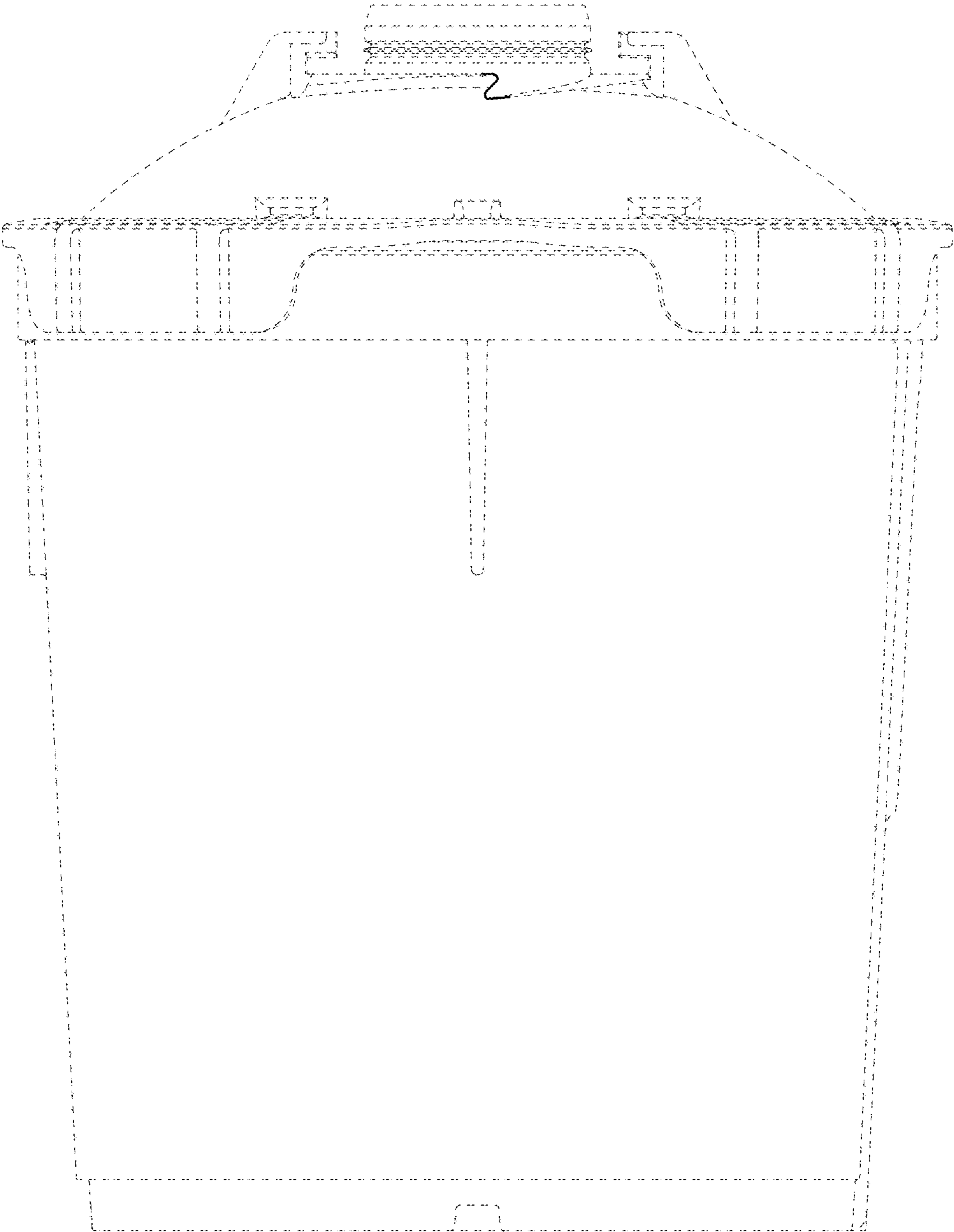
*Fig. 1*



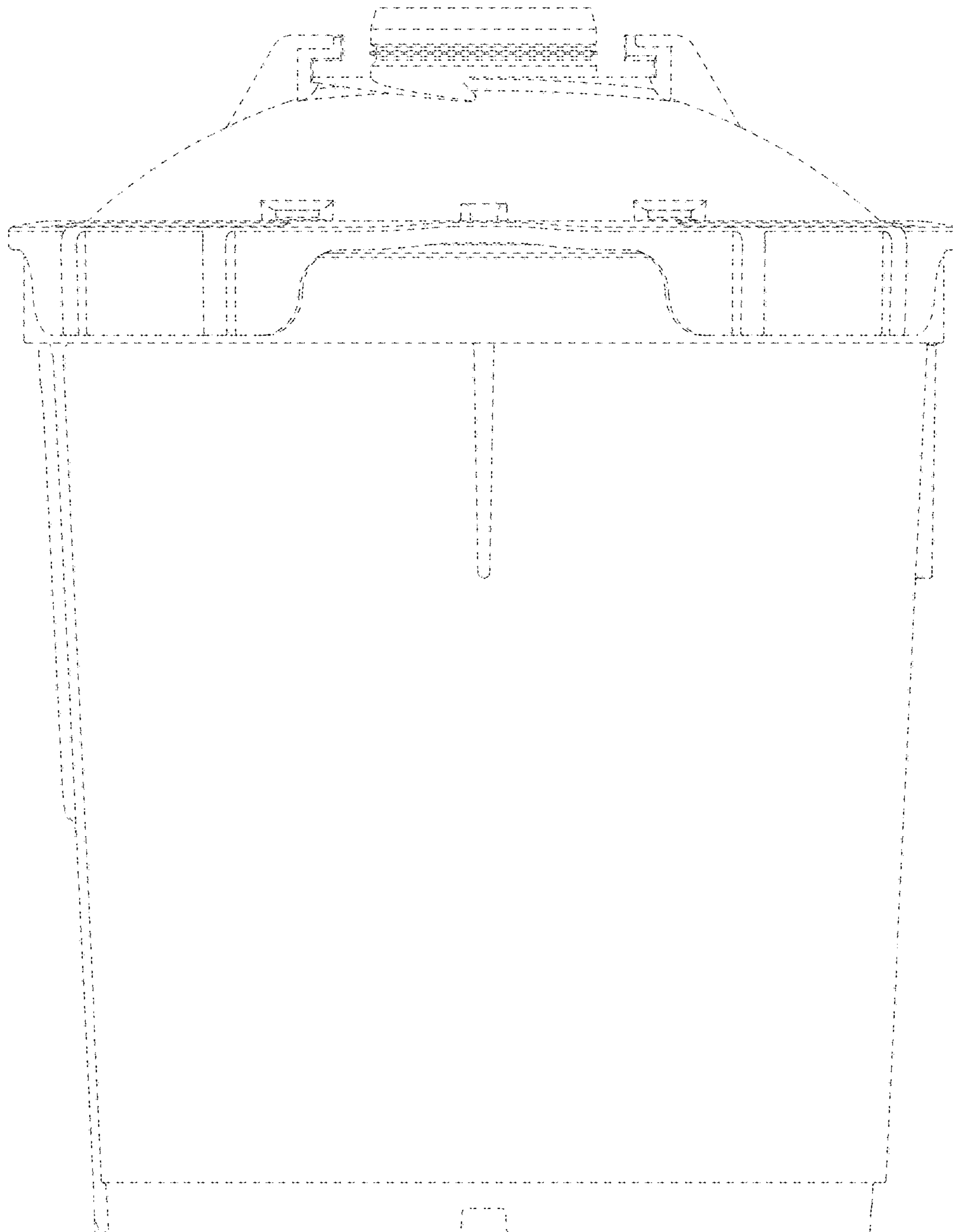
*Fig. 2*



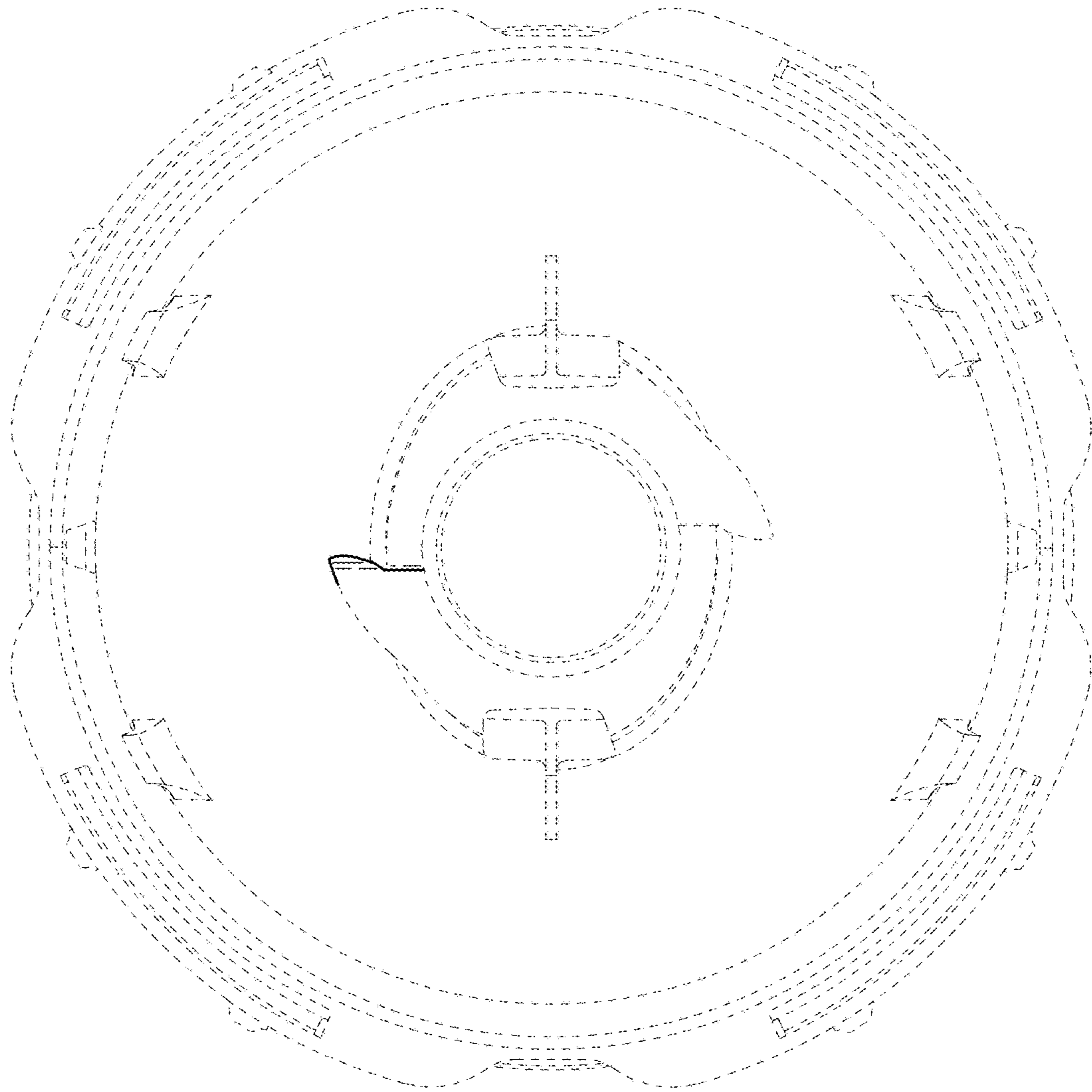
*Fig. 3*



*Fig. 4*

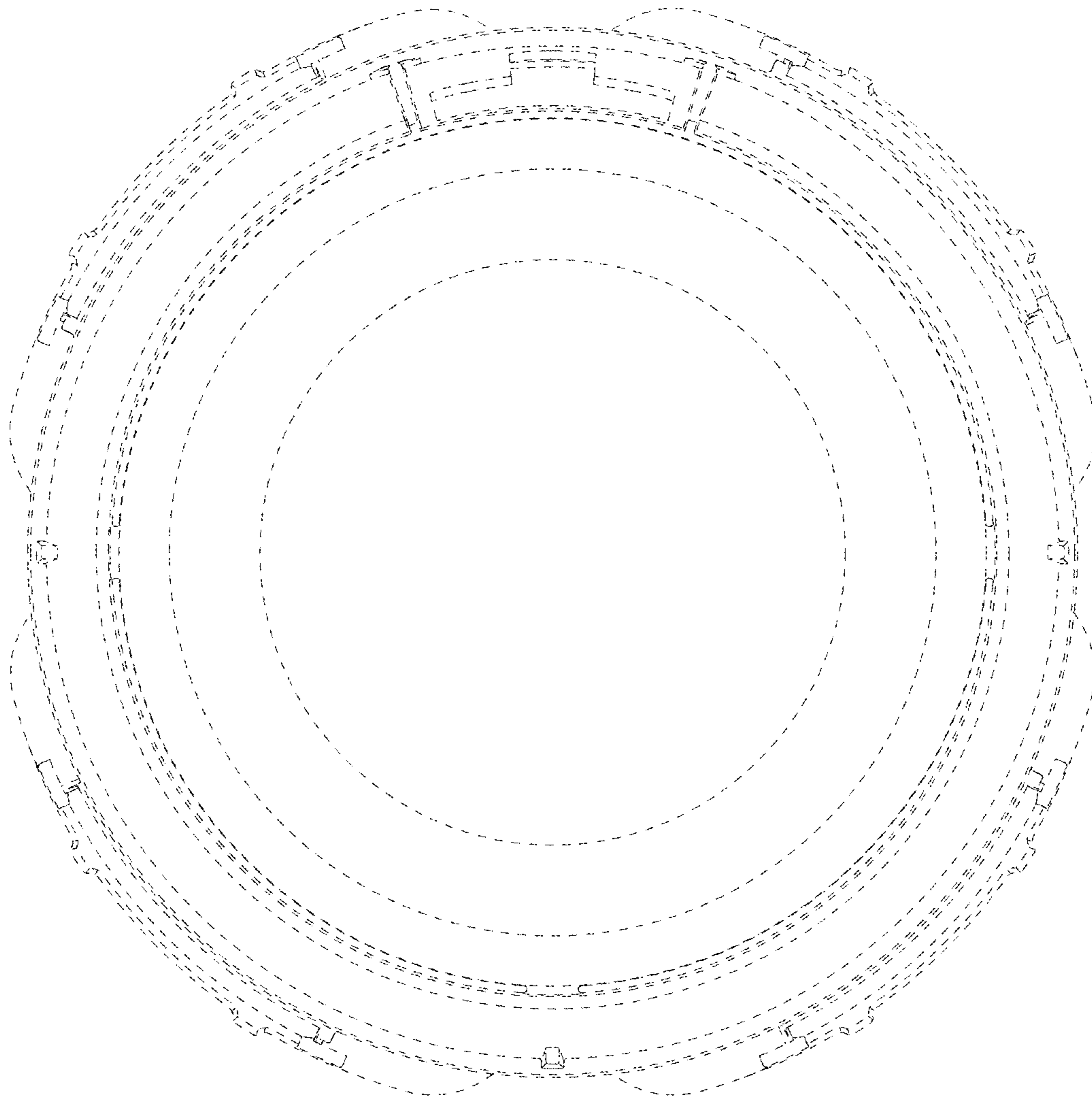


*Fig. 5*



***Fig. 6***





**Fig. 7**