



US00D810861S

(12) **United States Design Patent**
Weaver et al.

(10) **Patent No.:** **US D810,861 S**

(45) **Date of Patent:** **** Feb. 20, 2018**

(54) **SHOWER SYSTEM**

(71) Applicant: **DELTA FAUCET COMPANY**,
Indianapolis, IN (US)

(72) Inventors: **Casey Scott Weaver**, Carmel, IN (US);
Michael Alan Miller, Fishers, IN (US);
Erik Joseph Moses, Carol Stream, IL
(US); **George Joseph Guffey**, Volo, IL
(US); **Martin Jennings Kimbell**,
Wauconda, IL (US)

(73) Assignee: **DELTA FAUCET COMPANY**,
Indianapolis, IN (US)

(**) Term: **15 Years**

(21) Appl. No.: **29/575,193**

(22) Filed: **Aug. 23, 2016**

(51) **LOC (11) Cl.** **23-01**

(52) **U.S. Cl.**
USPC **D23/213; D23/228**

(58) **Field of Classification Search**
USPC D23/213, 223, 226, 228, 229, 230, 304,
D23/532; 239/436, 447, 587.1
CPC B05B 15/066; B05B 1/18; B05B 1/00;
B05B 15/061; B05B 9/01; A47K 3/28;
E03C 1/06; E03C 1/046
See application file for complete search history.

(56) **References Cited**

U.S. PATENT DOCUMENTS

D508,728 S * 8/2005 Kobi D23/213
D559,945 S * 1/2008 Patterson D23/213

D621,904 S * 8/2010 Yoo D23/213
D621,905 S * 8/2010 Yoo D23/213
D667,081 S * 9/2012 Yoo D23/229
D672,432 S * 12/2012 Spangler D23/213
D674,041 S * 1/2013 Hanus D23/213
D675,710 S * 2/2013 Chibitty D23/213
D675,711 S * 2/2013 Chibitty D23/213
9,308,540 B2 * 4/2016 Alcamo B05B 1/14

* cited by examiner

Primary Examiner — Robin V Webster

(74) *Attorney, Agent, or Firm* — Edgar A. Zarins; Nirav
D. Parikh

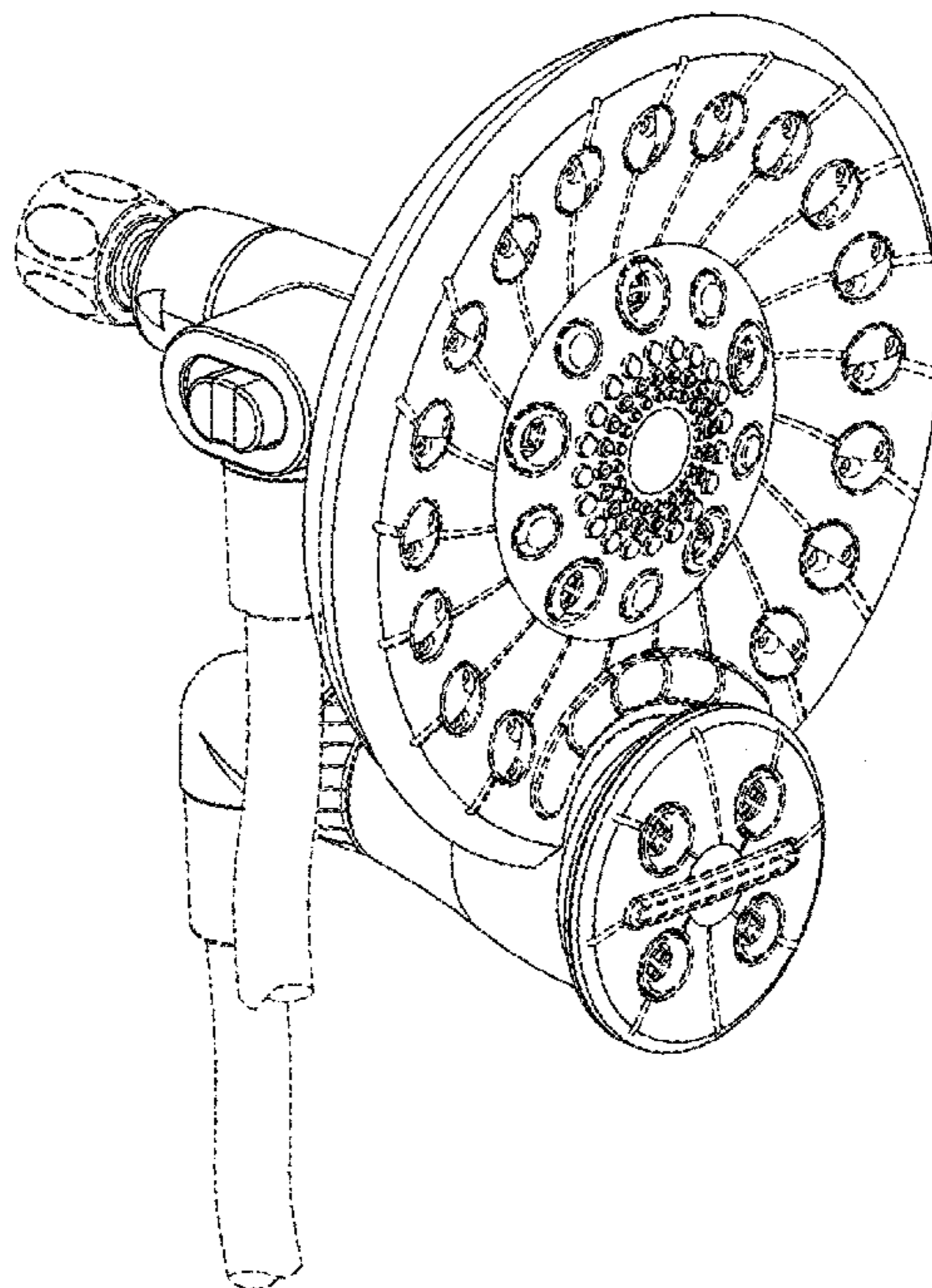
(57) **CLAIM**

The ornamental design for a shower system, as shown and
described.

DESCRIPTION

FIG. 1 is a perspective view of a shower system showing our
new design;
FIG. 2 is a front elevational view thereof;
FIG. 3 is a rear view thereof;
FIG. 4 is a side view thereof;
FIG. 5 is a top plan view thereof; and,
FIG. 6 is a bottom view thereof.
The broken line showing of portions of the shower system
are included for the purpose of illustration and form no part
of the claimed design.

1 Claim, 6 Drawing Sheets



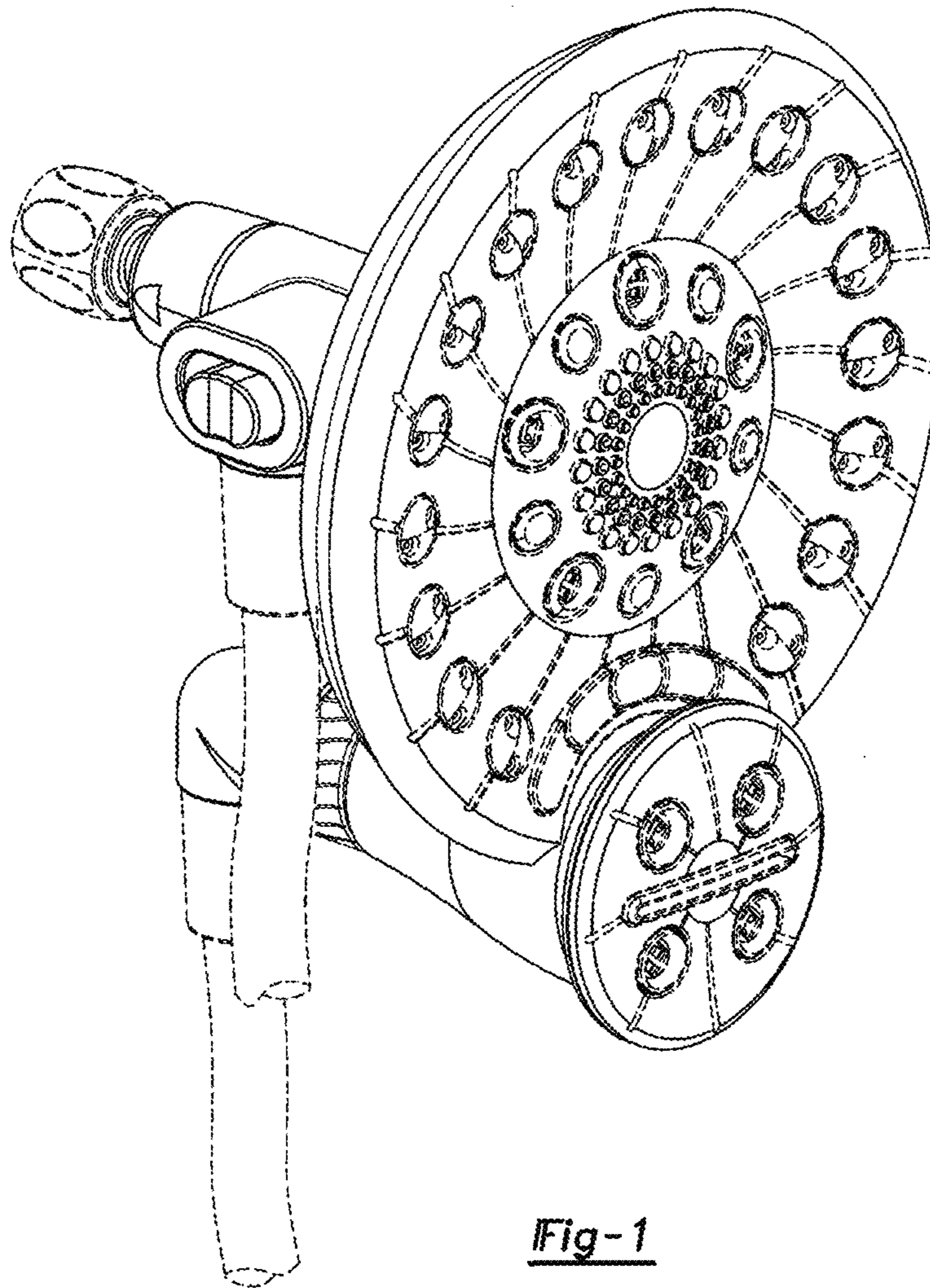


Fig-1

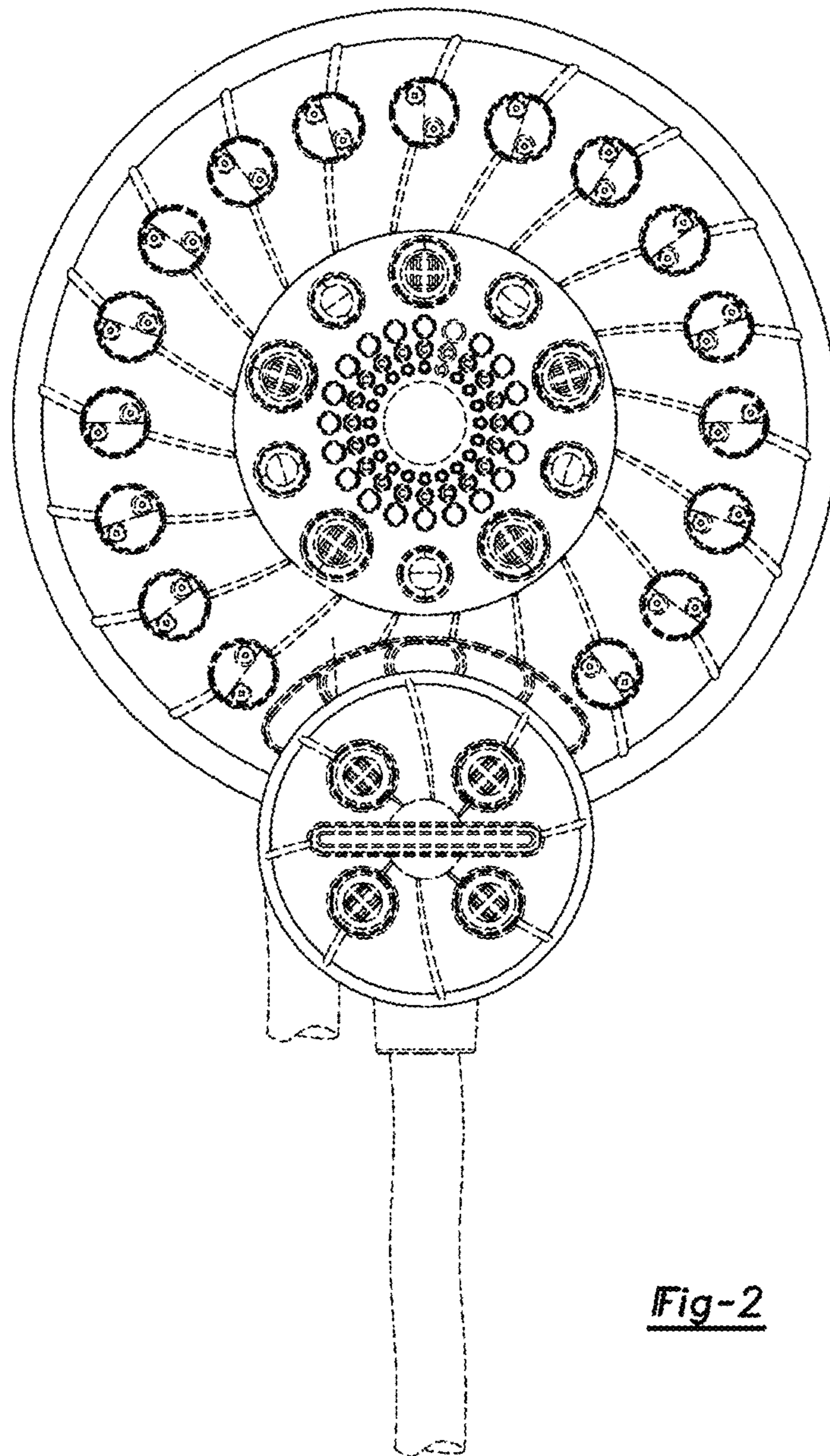


Fig-2

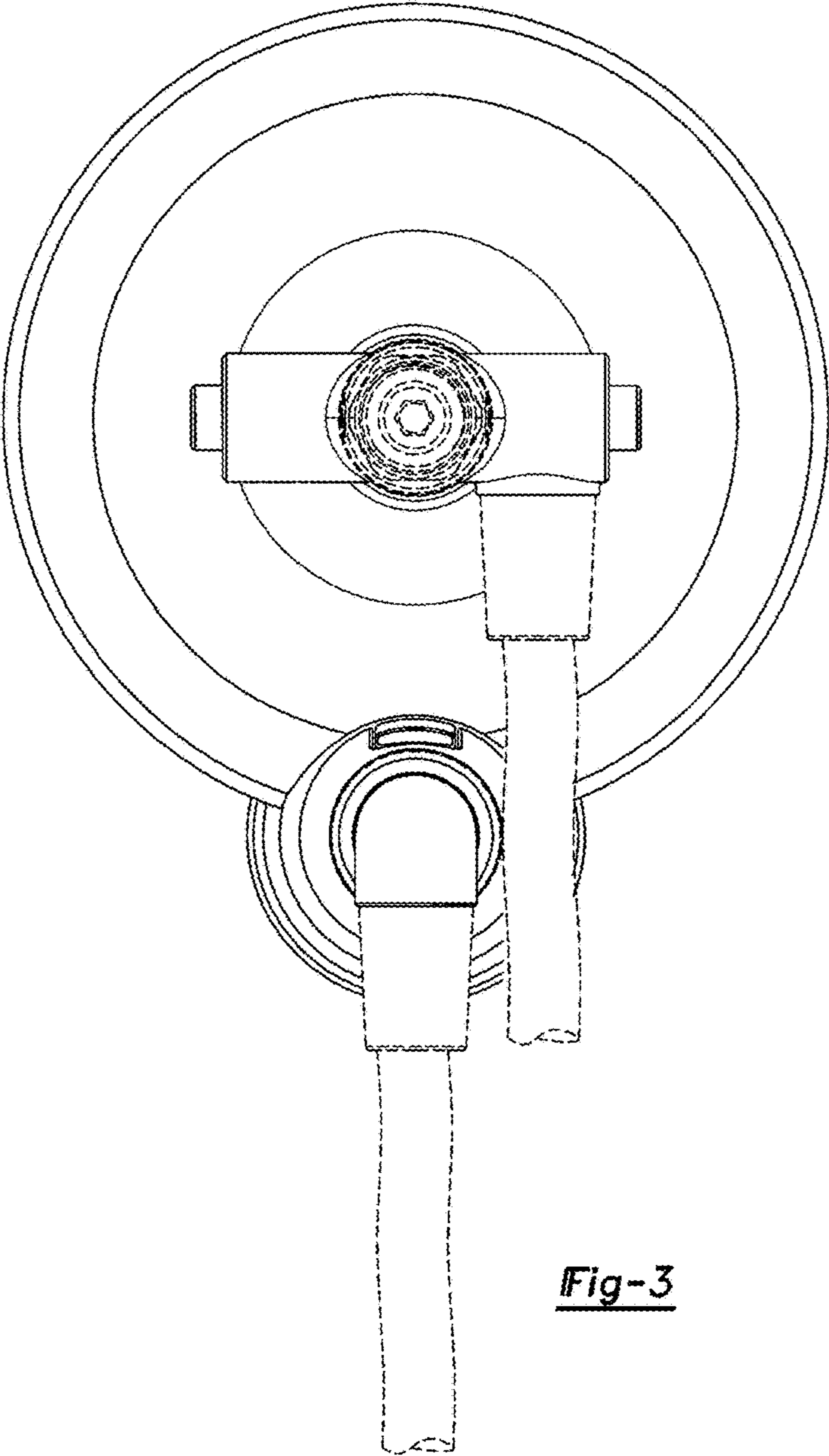


Fig-3

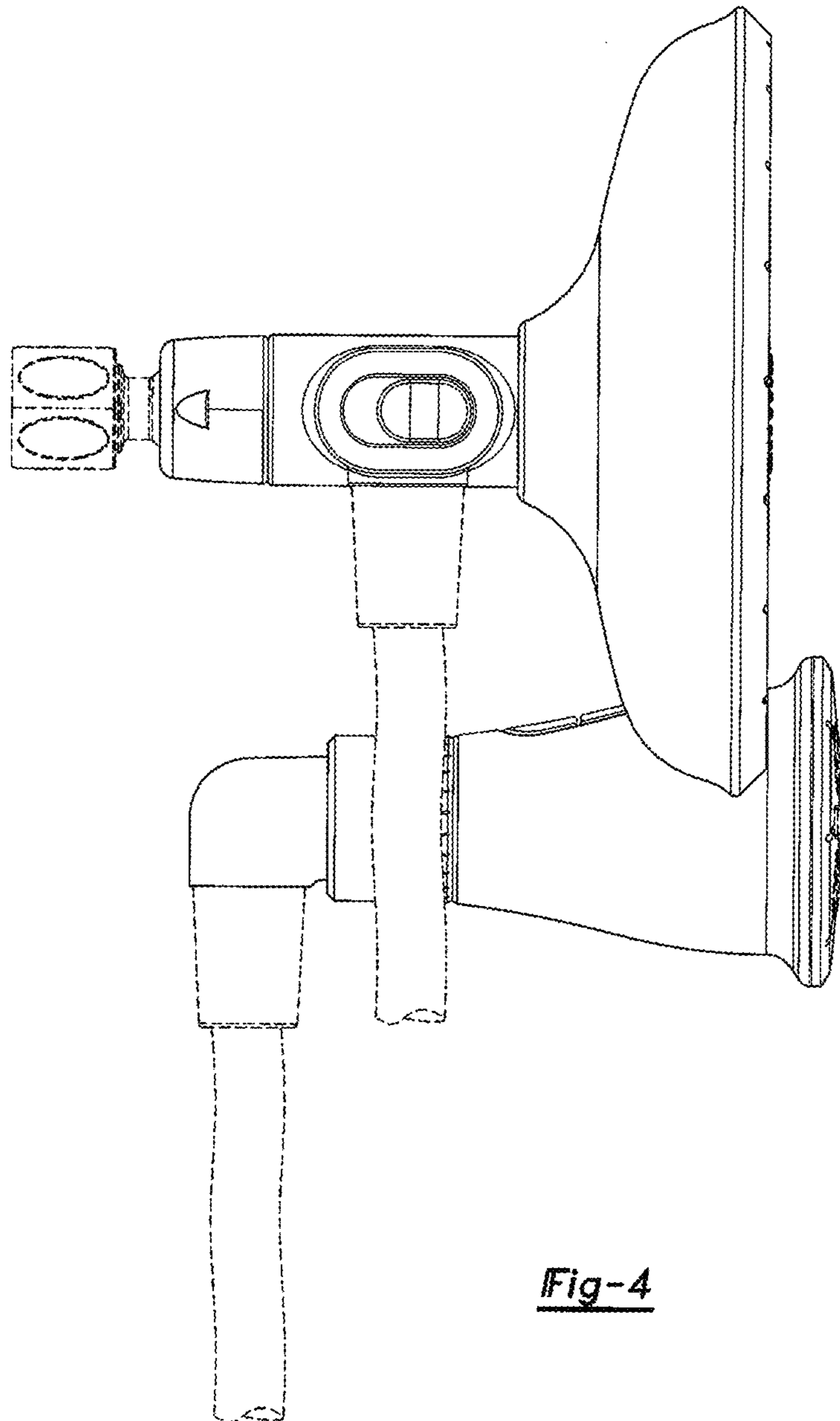


Fig-4

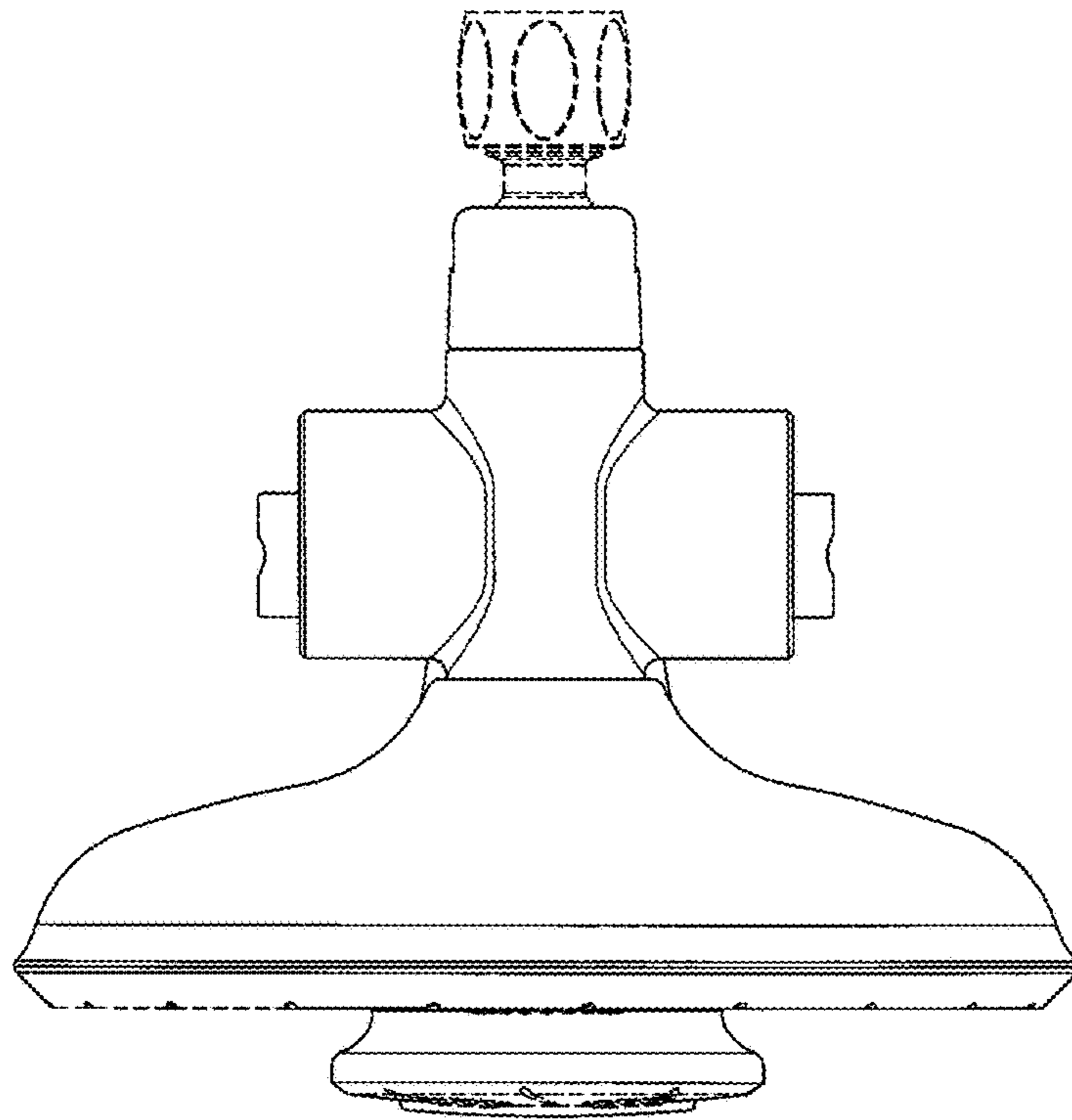


Fig-5

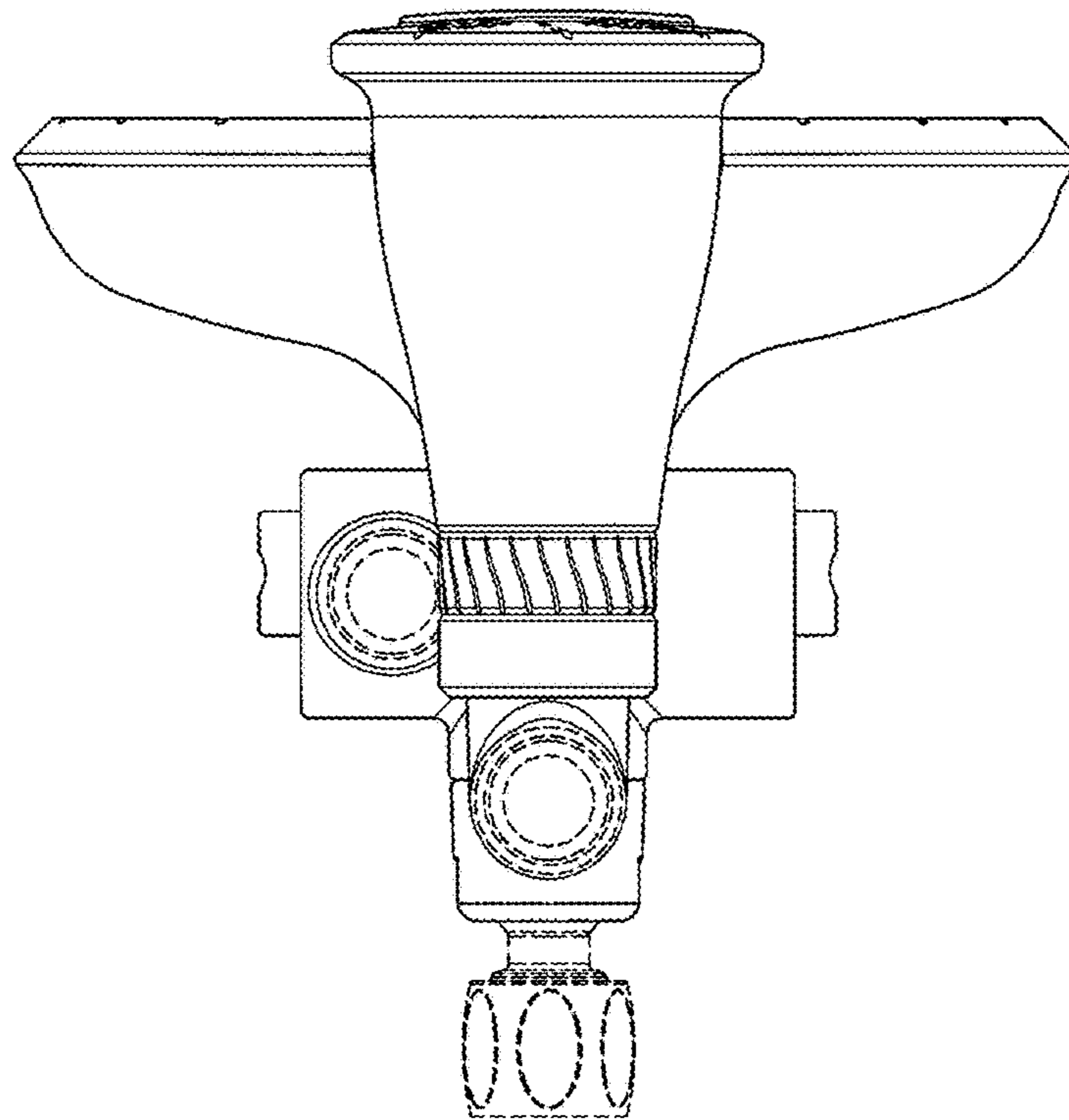


Fig-6