



US00D810860S

(12) **United States Design Patent** (10) **Patent No.:** **US D810,860 S**
Willems (45) **Date of Patent:** **** Feb. 20, 2018**

(54) **FILTER ELEMENT**

FOREIGN PATENT DOCUMENTS

(71) Applicant: **Donaldson Company, Inc.**,
Minneapolis, MN (US)

DE 102012019862 A1 4/2014
EP 0188524 B1 9/1992
EP 2 263 769 A1 12/2010
EP 2 283 906 A1 2/2011
EP 2 353 691 A1 8/2011
EP 2 548 624 A1 1/2013

(72) Inventor: **Gert Louis Willems**, Wilsele (BE)

(73) Assignee: **Donaldson Company, Inc.**,
Minneapolis, MN (US)

(Continued)

(**) Term: **15 Years**

Primary Examiner — Robin V Webster

(21) Appl. No.: **29/596,262**

(74) *Attorney, Agent, or Firm* — Merchant & Gould P.C.

(22) Filed: **Mar. 7, 2017**

(57) **CLAIM**

The ornamental design for a filter element, as shown and described.

DESCRIPTION

Related U.S. Application Data

(62) Division of application No. 29/529,369, filed on Jun. 5, 2015, now abandoned.

(51) **LOC (11) Cl.** **23-01**

(52) **U.S. Cl.**
USPC **D23/209**

(58) **Field of Classification Search**
USPC D23/207–209; 210/335, 338, 435, 440,
210/443, 450, 232
CPC . B01D 35/30; B01D 35/306; B01D 2201/307
See application file for complete search history.

FIG. 1 is a perspective view of another embodiment of a filter element, according to the new design, the portions shown in broken lines forming no part of the design sought to be patented;

FIG. 2 is a left elevational view of the filter element of FIG. 1, the portions shown in broken lines forming no part of the design sought to be patented;

FIG. 3 is a right elevational view of the filter element of FIG. 1, the portions shown in broken lines forming no part of the design sought to be patented;

FIG. 4 is a rear elevational view of the filter element of FIG. 1, the portions shown in broken lines forming no part of the design sought to be patented;

FIG. 5 is a front elevational view of the filter element of FIG. 1, the portions shown in broken lines forming no part of the design sought to be patented;

FIG. 6 is a top plan view of the filter element of FIG. 1 the portions shown in broken lines forming no part of the design sought to be patented; and,

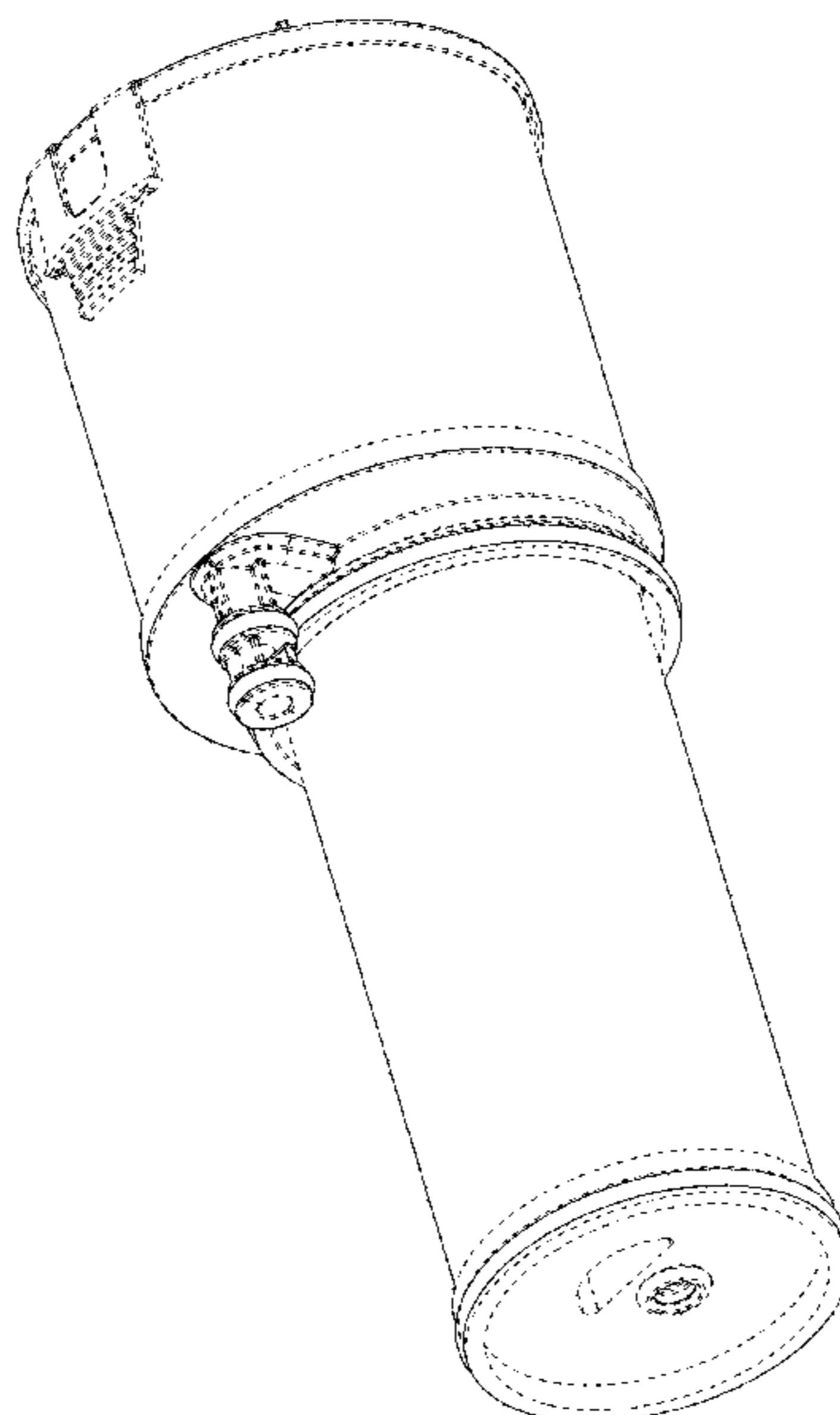
FIG. 7 is a bottom plan view of the filter element of FIG. 1, the portions shown in broken lines forming no part of the design sought to be patented.

(56) **References Cited**

U.S. PATENT DOCUMENTS

D502,757 S * 3/2005 Mork D23/207
7,093,721 B2 * 8/2006 Imanse B01D 29/118
210/413
D675,705 S * 2/2013 Mallol D23/207
D682,983 S * 5/2013 Mallol D23/207
D719,634 S * 12/2014 Reed D23/209
D719,636 S * 12/2014 Reed D23/209
2011/0042329 A1 2/2011 Hacker et al.

1 Claim, 6 Drawing Sheets



(56)

References Cited

FOREIGN PATENT DOCUMENTS

FR	2954712	A1	7/2011
FR	2978061	A1	1/2013
GB	1604834		3/1977
WO	WO 2009/094437	A1	7/2009
WO	WO 2010/020514	A1	2/2010
WO	WO 2011/101750	A1	8/2011
WO	WO 2011/127920	A1	10/2011
WO	WO 2012/095124	A1	7/2012
WO	WO 2013/083705	A1	12/2012

* cited by examiner

FIG. 1

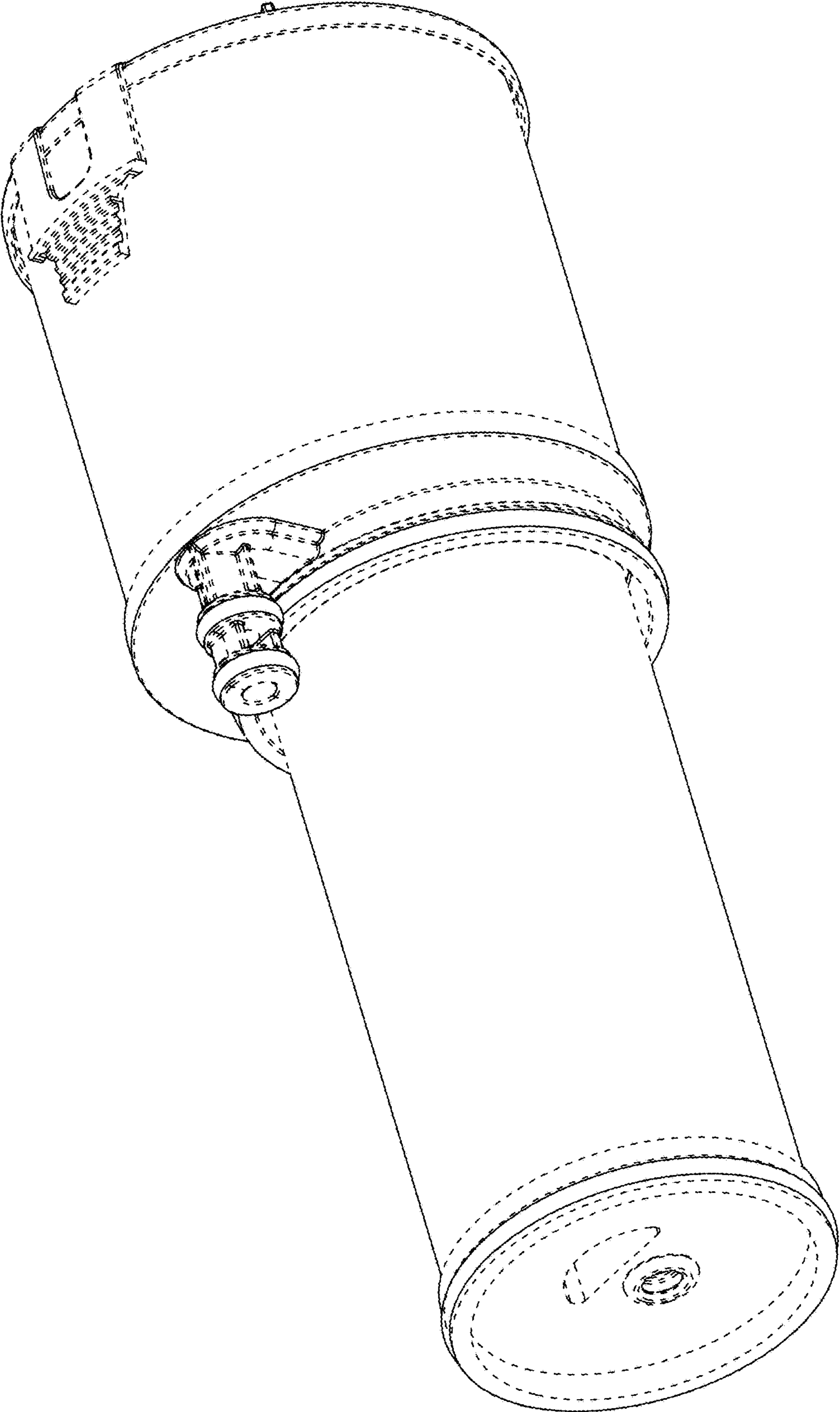


FIG. 2

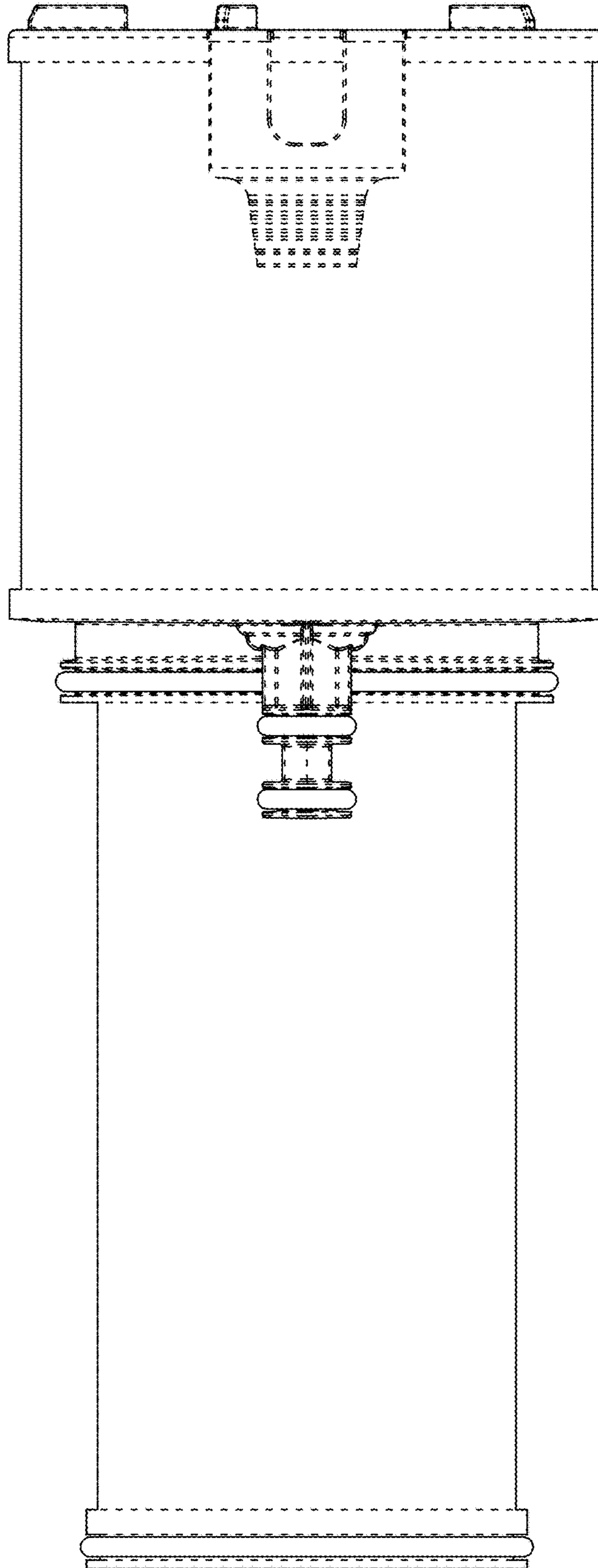


FIG. 3

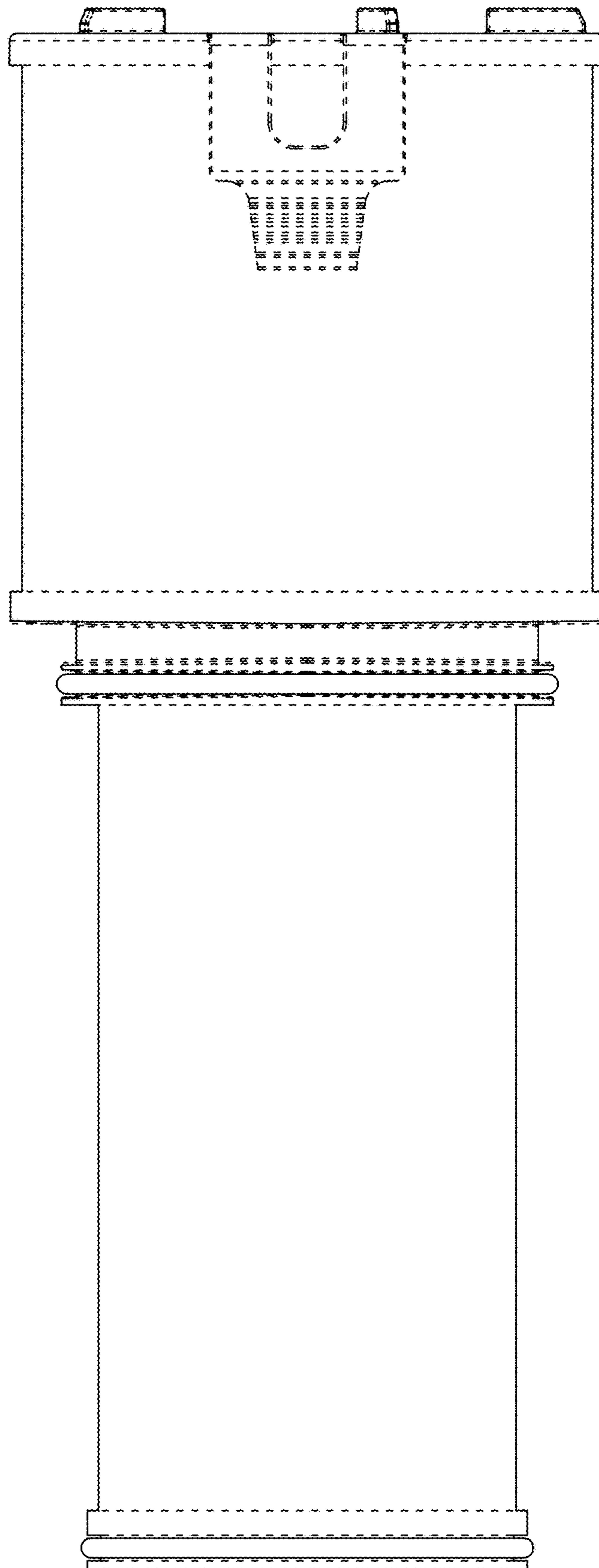


FIG. 4

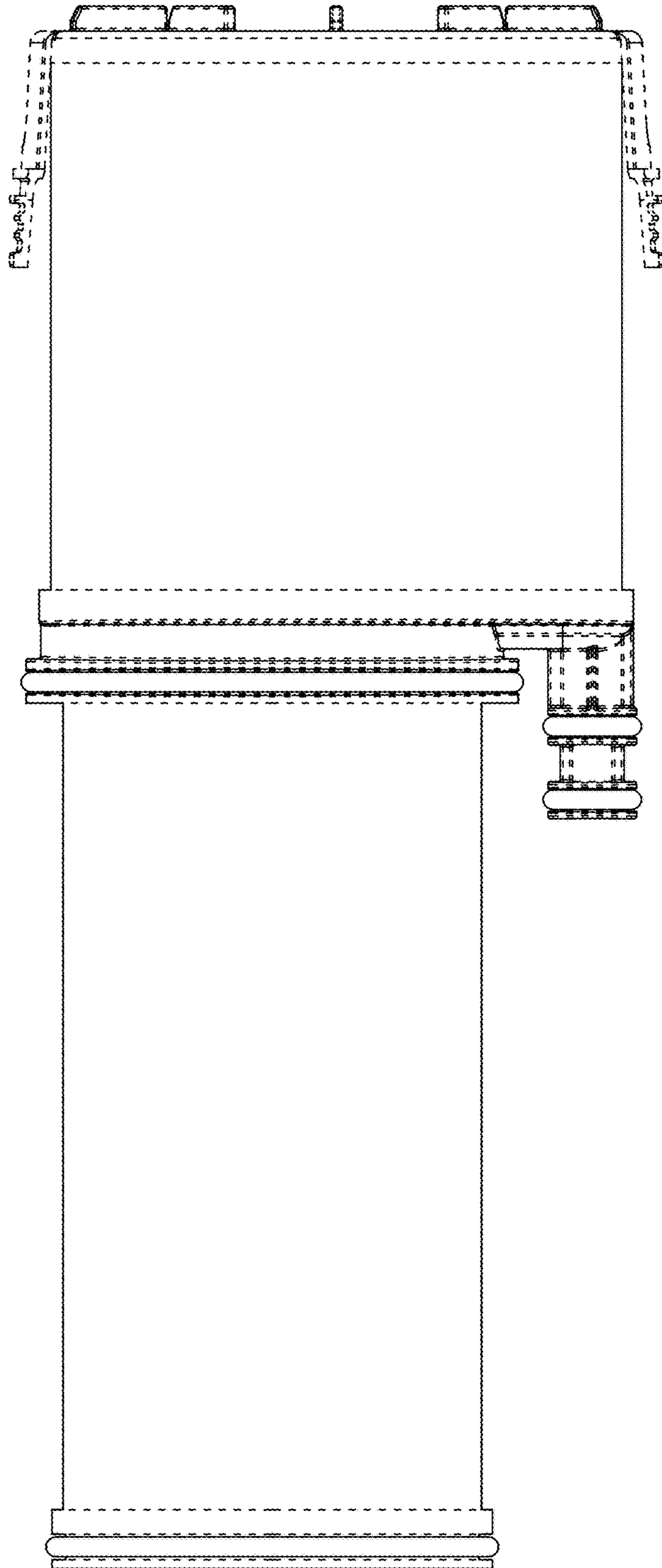


FIG. 5

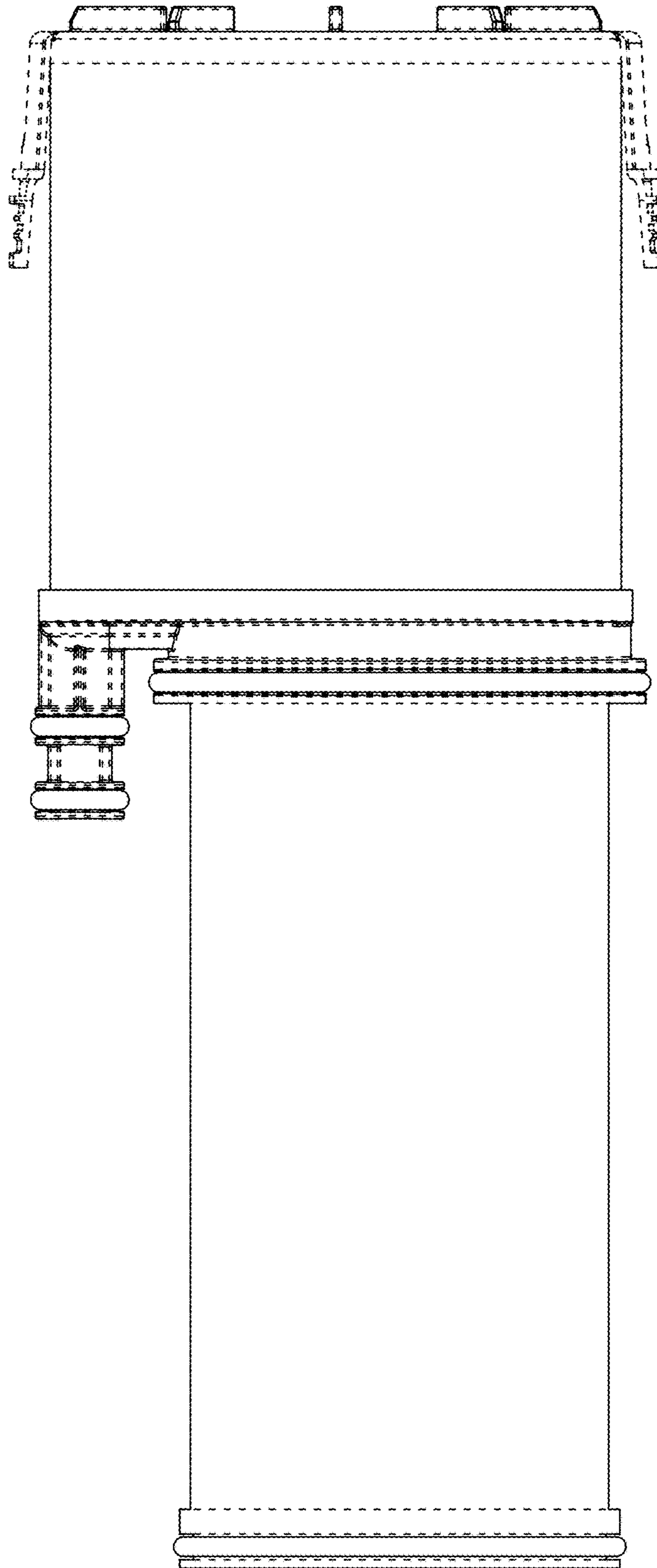


FIG. 6

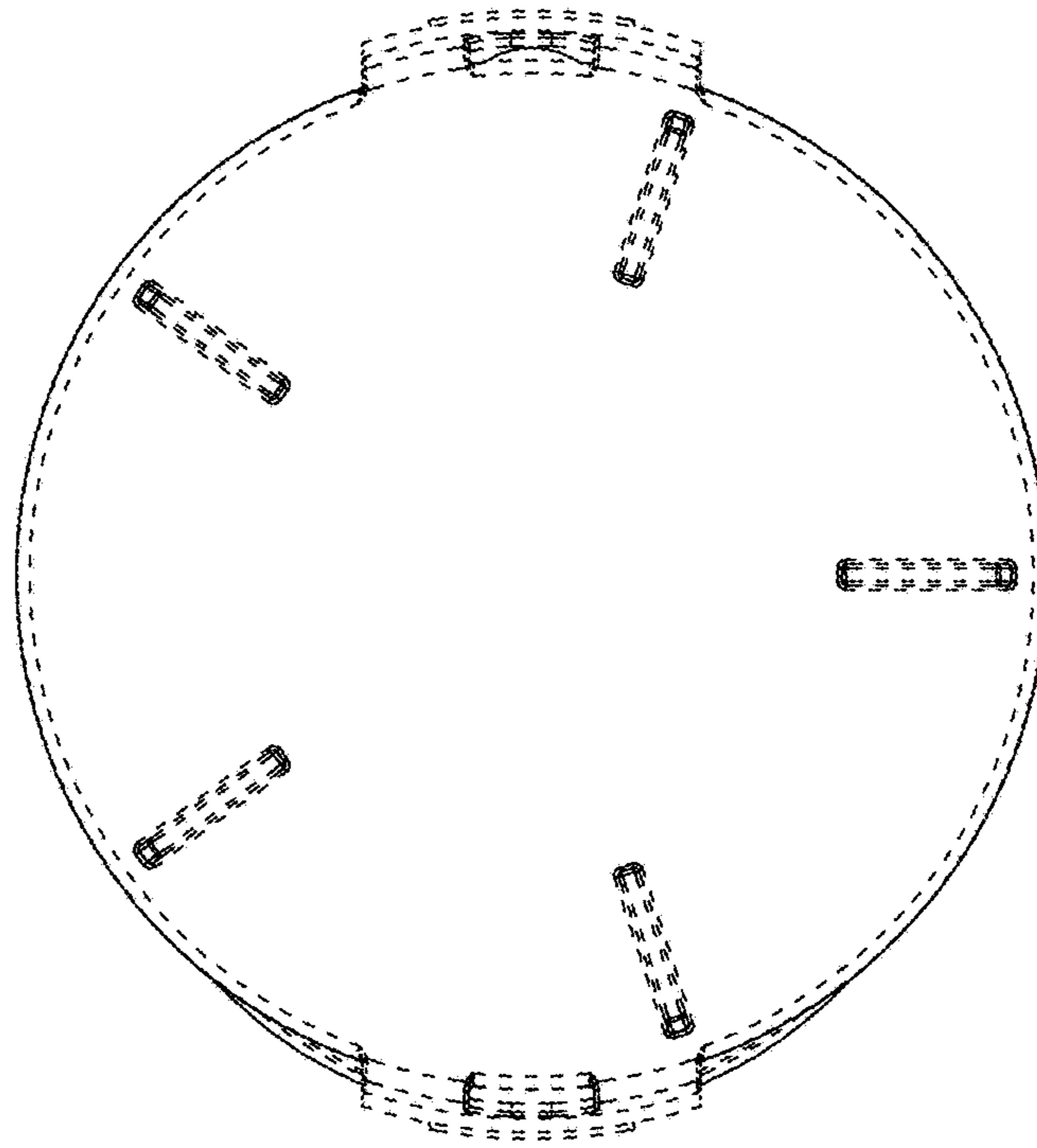


FIG. 7

